

HIRSCHMANN MOBILITY



IRIDIUM/ GNSS (GPS/GLONASS)/ Cellular (2G/3G) Screw Antenna

IGNC 8521 SF S/series

Pt. nos.
956-310-5..

- For use in telematic applications
- Low profile (69mm height)
- Mounting on several surfaces (e.g. plastic, metal, ...)
- Customization of cable lengths, types and connectors possible

Subject to alterations

1. Technical data

Dimensions	124mm x 80mm x 69mm
Weight	200 g
Temperature range	-40°C to +85°C
Protection class	IP66 (acc. IEC 60529)
IRIDIUM	
Frequency range	1616 - 1626.5 MHz
Impedance	50 Ohm
VSWR	≤ 1.8
Gain	3 dBic ³
Polarization	RHCP
Axial ratio	< 4 dB
Load capacity	8 W
Lightning protection	DC grounded
GNSS (GPS/GLONASS)	
Frequency range	1.575 - 1.61 GHz
Impedance	50 Ohm
Gain	2 dBic min. ³
Amplification	26 ± 2 dB typ.
Noise figure (50 Ohm)	≤ 1.4 dB typ. 1m
Voltage supply	3 V - 5.5 V
Current consumption	≤ 13mA at 5 V ± 0.5 V (typ. 10mA)
Cellular	
Frequency range	824-2170 MHz (AMPS / GSM800 through UMTS)
Gain	Typ. ≥ 3 dBi
Load capacity	Max. 10W pulsed

¹ Other cable lengths available upon request

² Other configurations available upon request

³ dBic: referenced to an isotropic radiator, circular polarization

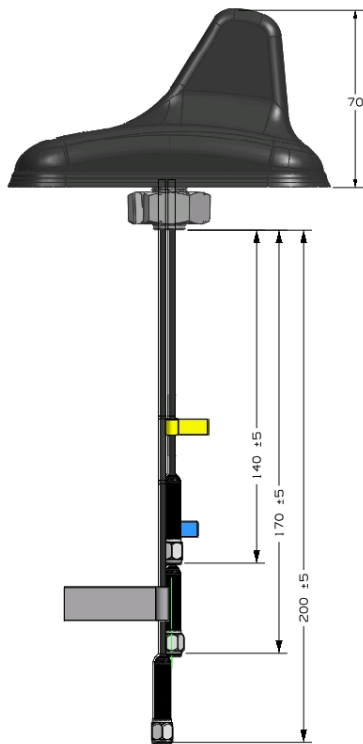
Subject to alterations

2. Product Family

Order code	Cable (length)			Connector (type)			Remark
	IRIDIUM	GNSS	Cellular	IRIDIUM	GNSS	Cellular	
Versions	L1	L2	L3	C1	C2	C3	
956-310-501	200 mm	170 mm	140 mm	SMA m	SMA m	SMA m	Cable RG174, ROHS
956-310-502	2000 mm	2000 mm	2000 mm	SMA m	SMA m	SMA m	Cable RG174, ROHS
956-310-503	600 mm	570 mm	540 mm	SMA m	SMA m	SMA m	Cable RG174, ROHS

Customization of cable lengths, types and connectors possible.

3. Technical Drawing



Subject to alterations

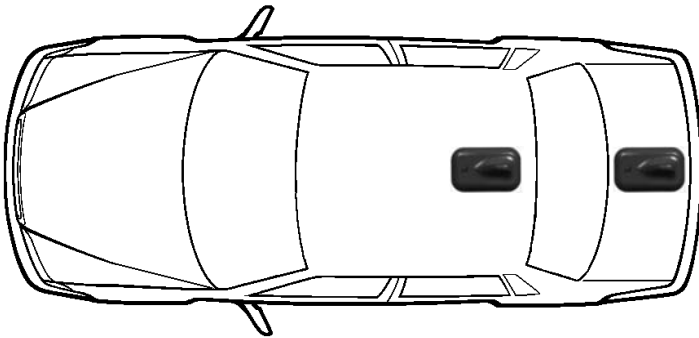
4. Mounting example and procedure

Vehicle roof mounting

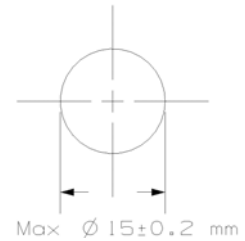
Mounting requirements and restrictions

- Choose appropriate mounting location on flat surface (see Sketch #1) .
- Max. tolerable mounting material thickness 10 mm/ 0.4 in.
- Safely drill 15 mm/ 0.6 in. mounting hole at desired location (see Sketch #2)
- Clean mounting area with isopropyl alcohol or similar.
- Unscrew mounting nut (see Sketch #3)
- Feed all cables through mounting hole (see Sketch #4)
- Slide slotted mounting nut over cables and screw back on to antenna mounting stud.
- Maximum tightening torque is 5Nm.

Sketch #1—Select Mounting Location



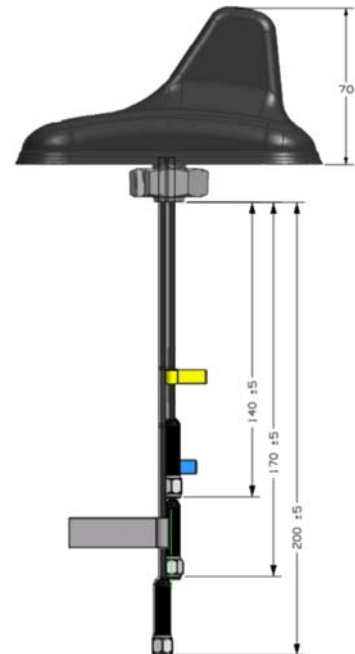
Sketch #2—Required Mounting hole



Sketch #3—Mounting Nut



Sketch #4—Mount in hole



www.te.com/hirschmann-mobility

hirschmann-mobility@te.com

TE, TE Connectivity, TE connectivity (logo), and EVERY CONNECTION COUNTS are trademarks. Hirschmann is a trademark.

IRIDIUM, GSM, UMTS and GLONASS are trademarks.

The information given herein, including drawings, illustrations and schematics which are intended for illustration purposes only, is believed to be reliable. However, TE Connectivity makes no warranties as to its accuracy or completeness and disclaims any liability in connection with its use. TE Connectivity's obligations shall only be as set forth in TE Connectivity's Standard Terms and Conditions of Sale for this product and in no case will TE Connectivity be liable for any incidental, indirect or consequential damages arising out of the sale, resale, use or misuse of the product. Users of TE Connectivity products should make their own evaluation to determine the suitability of each such product for the specific application.

© 2019 TE Connectivity Ltd. family of companies All Rights Reserved.

X-ON Electronics

Largest Supplier of Electrical and Electronic Components

Click to view similar products for [Antennas](#) category:

Click to view products by [TE Connectivity](#) manufacturer:

Other Similar products are found below :

[GAN30084EU](#) [930-033-R](#) [GW17.07.0250E](#) [1513563-1](#) [EXE902SM](#) [APAMPG-117](#) [MAF94383](#) [W3908B0100](#) [W6102B0100](#) [YE572113-30RSMM](#) [108-00014-50](#) [66089-2406](#) [SPDA17RP918](#) [A09-F8NF-M](#) [A09-F5NF-M](#) [RGFRA1903041A1T](#) [W3525BW100](#) [W3593B0100](#) [W3921B0100](#) [SIMNA-868](#) [SIMNA-915](#) [SIMNA-433](#) [W1044](#) [W1049B090](#) [A75-001](#) [WTL2449CQ1-FRSMM](#) [CPL9C](#) [EXB148BN](#) [0600-00060](#) [TRA9020S3PBN-001](#) [Y4503](#) [GD5W-28P-NF](#) [MA9-7N](#) [GD53-25](#) [GD5W-21P-NF](#) [C37](#) [MAF94051](#) [MA9-5N](#) [EXD420PL](#) [B1322NR](#) [QWFTB120](#) [MAF94271](#) [MAF94300](#) [GPSMB301](#) [FG4403](#) [AO-AGSM-OM54](#) [5200232](#) [MIKROE-2349](#) [WCM.01.0111](#) [MIKROE-2393](#)