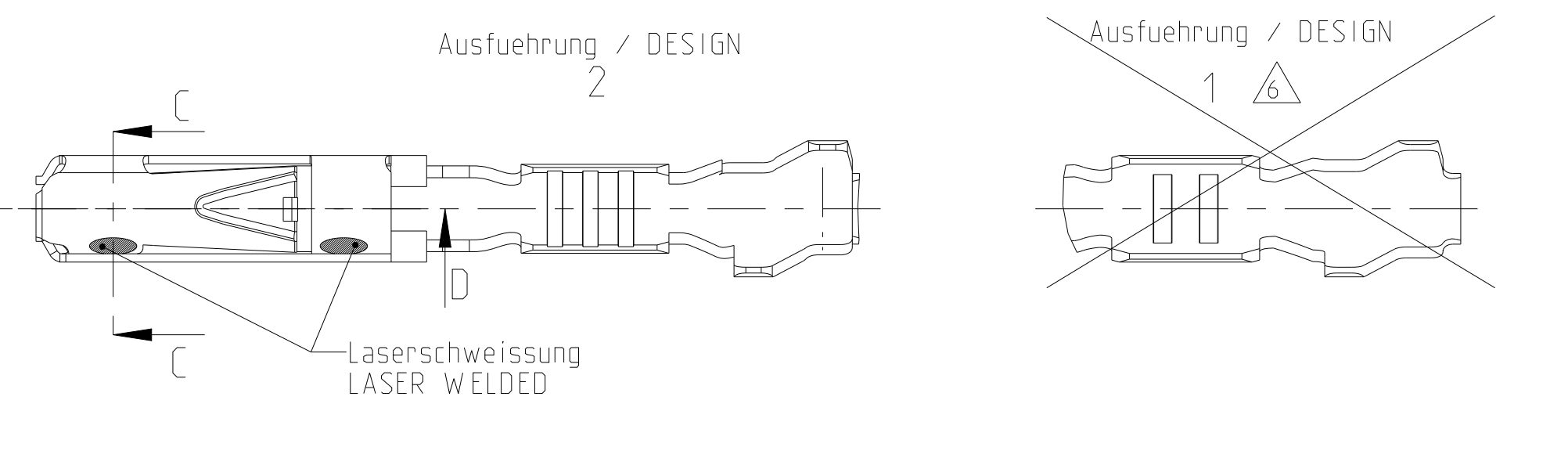
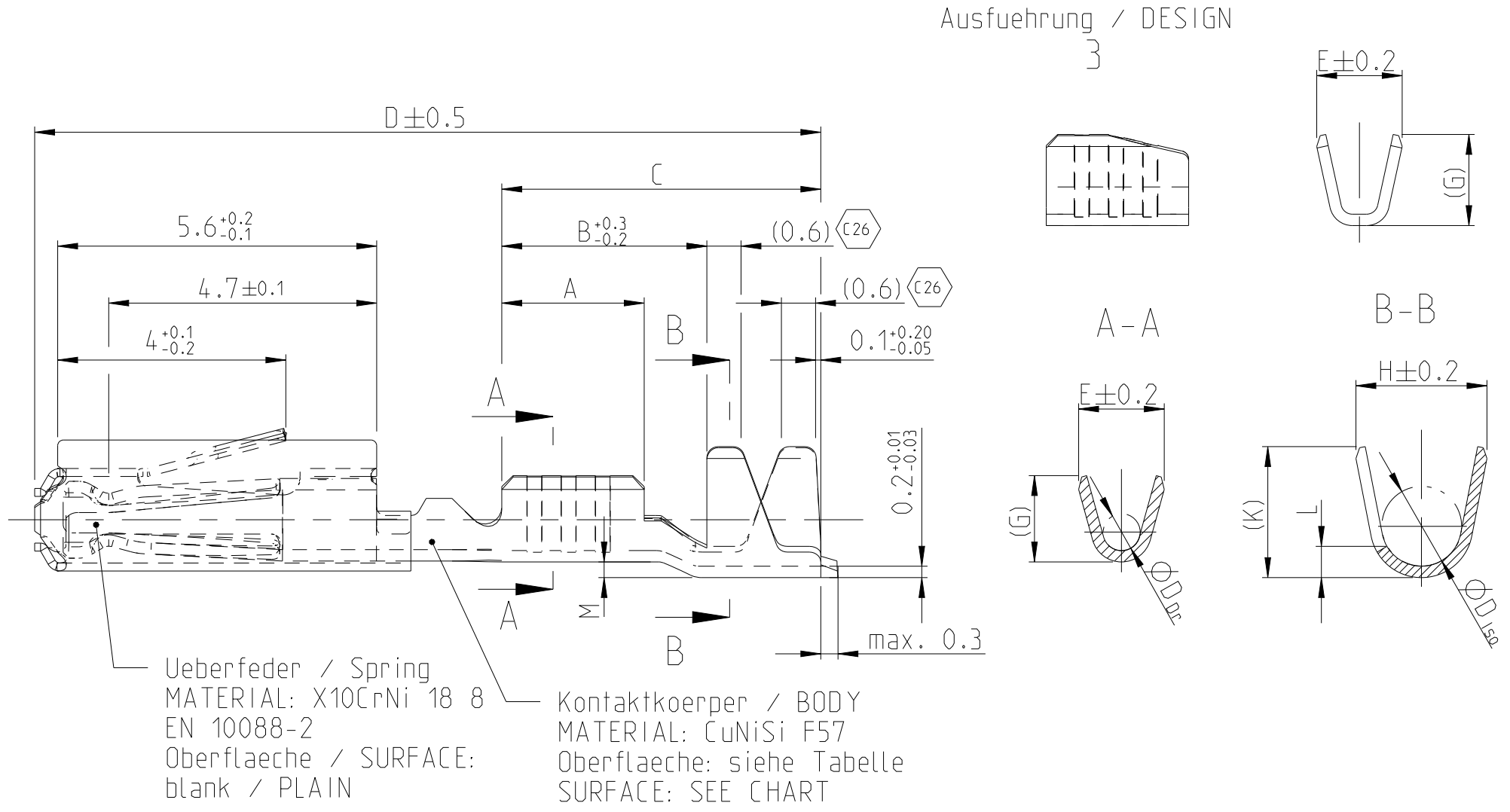
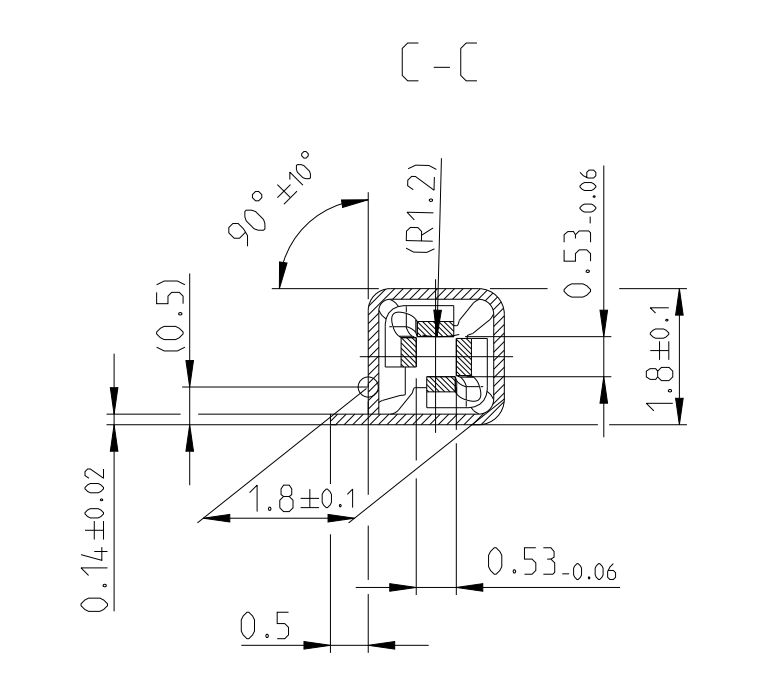
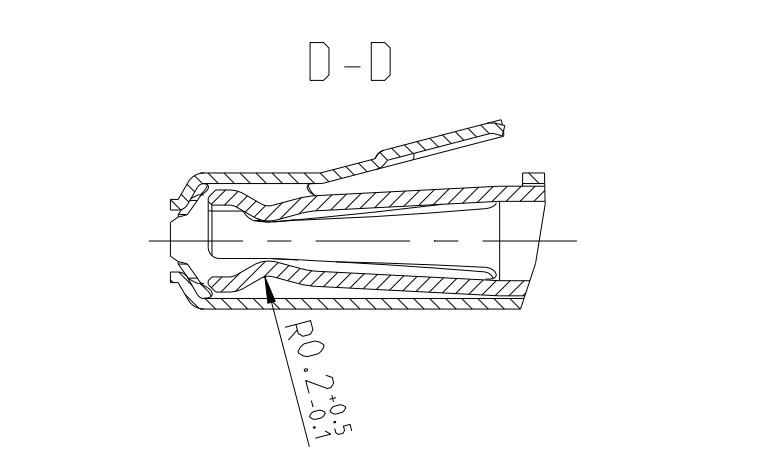
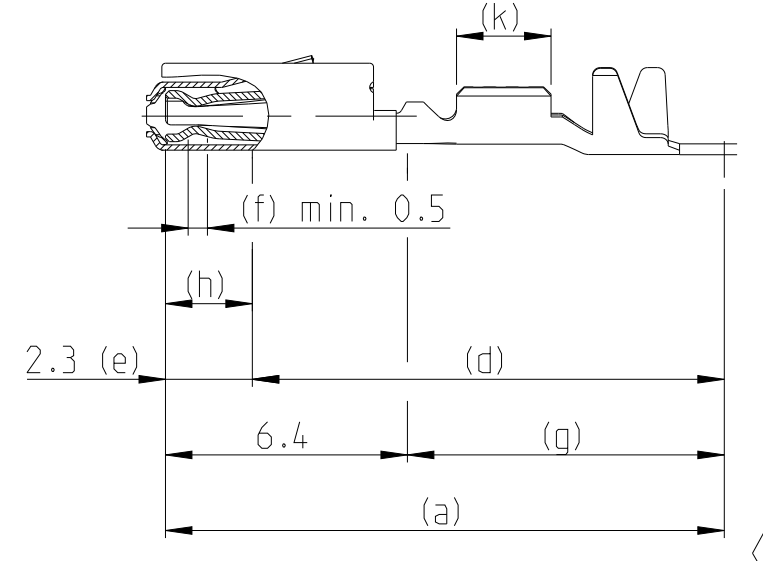


Normale Anwendung  
 USUAL APPLICATION



Oberflaeche / FINISH

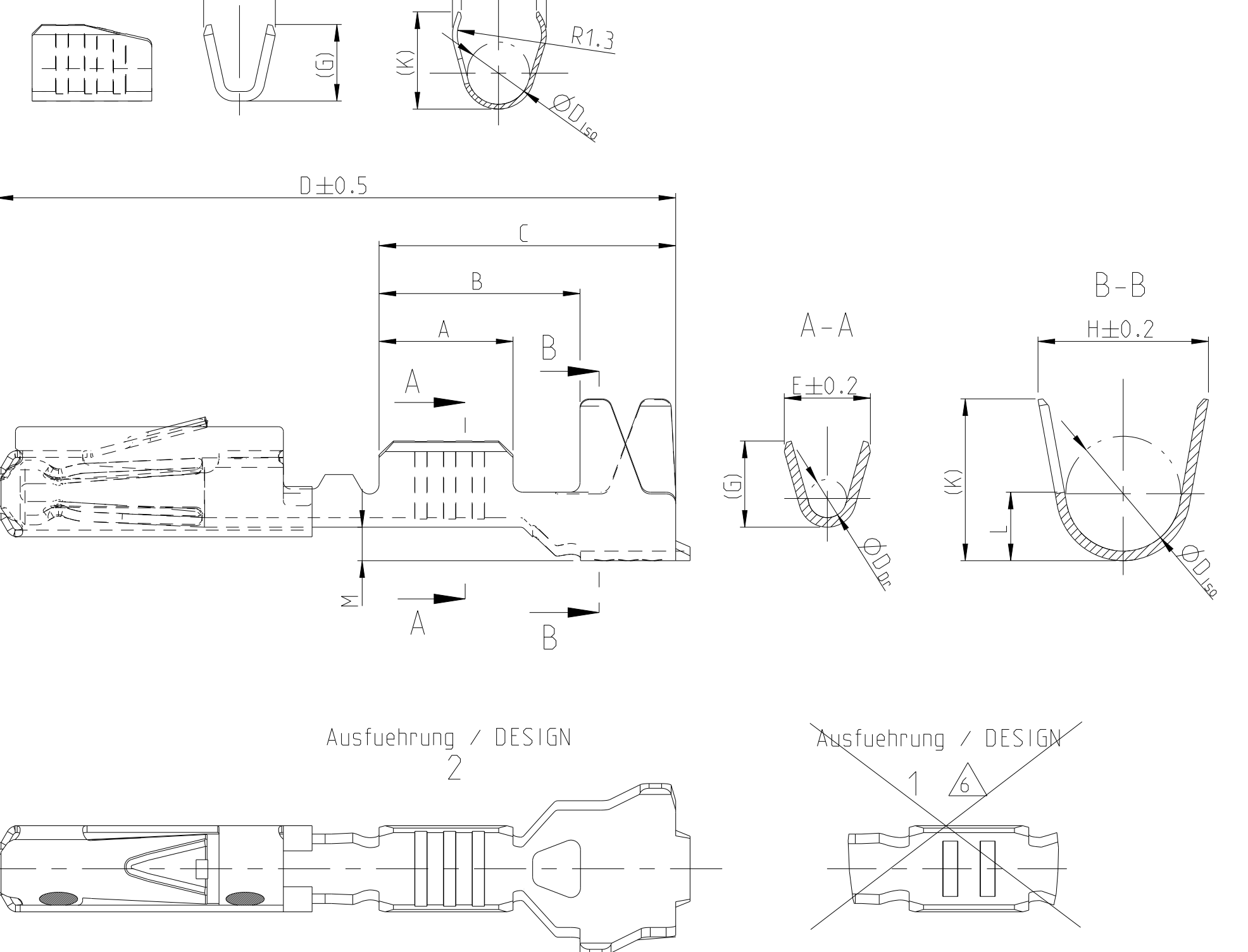


Sn: verzinnete Ausfuehrung  
 TINNED  
 (a) Kontaktkoerper: 0.8 - 2 µm Sn  
 BODY: 0.8 - 2 µm Sn

Ag: versilbert  
 SILVER  
 (e) min. 0.3 µm Ag  
 (f) min. 2.8 µm Ag INSIDE  
 min. 2.8 µm Ag innen  
 (g) min. 0.2 µm Sn  
 (k) min. 0.8 - 2 µm Sn

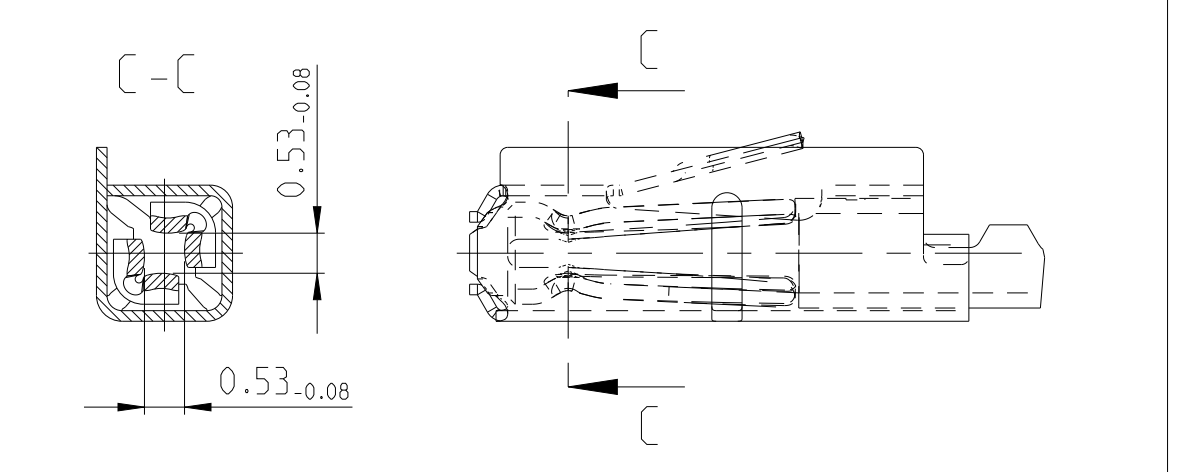
Au (galvanisch): galvanisch vergoldet  
 GOLD-ELECTROPLATED  
 (d) 0.05-1 µm Ni, beidseitig  
 0.05-1 µm Ni, ON BOTH SIDES  
 (e) 1-3 µm Ni, beidseitig  
 1-3 µm Ni, ON BOTH SIDES  
 (f) min. 1.8 µm Au ueber (e), innen  
 MIN. 1.8 µm Au OVER (e), INSIDE  
 (g) min. 0.2 µm Sn ueber (d), beidseitig  
 MIN. 0.2 µm Sn OVER (d), ON BOTH SIDES  
 (h) Au galvanisch aufaufend  
 Au OVERPLATING  
 (k) min. 0.8 - 2.0 µm Sn

Ausfuehrung / DESIGN 3  
 Einzeldichtungssystem  
 SINGLE WIRE SEAL SYSTEM

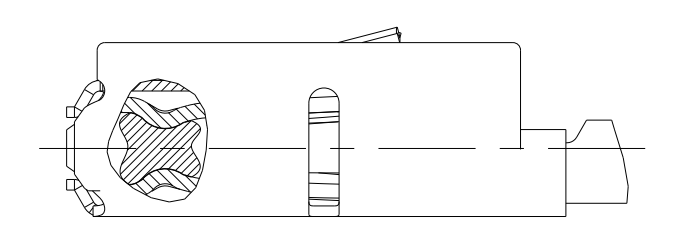


| REV. | DATE      | BY   | CHK  | APPV |
|------|-----------|------|------|------|
| C23  | 30APR2019 | FRAN | BERG |      |
| C24  | 09DEC2019 | MAH. | BERG |      |
| C25  | 28AUG2020 | MAH. | BERG |      |
| C26  | 20AUG2021 | FRAN | BERG |      |

versilberte/vergoldete Ausfuehrung  
 SILVER/GOLD VERSION



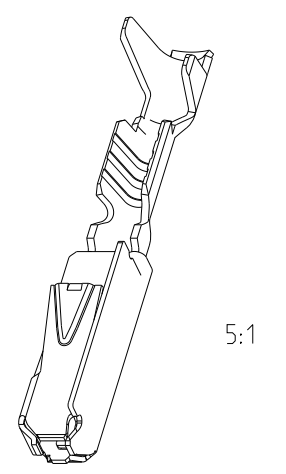
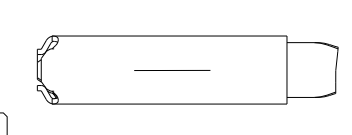
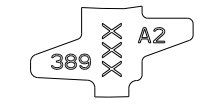
GEL VERSION



Bemerkungen

- Datumscode (Woche/Jahr z.B. KW 38/Jahr2009) und TE-Revision (z.B. Rev.A) DATE CODE (WEEK/YEAR E.G. WEEK NUMBER 38/YEAR2009) AND TE REVISION (E.G. REV. A)
- Passend zu Stiftkontakt siehe Zeichnung 929453 SUITABLE FOR PIN CONTACT SEE DRAWING 929453
- Einzelheiten der Ausfuehrung bleiben dem Hersteller ueberlassen DETAILS OF DESIGN ARE LEFT TO MANUFACTURER
- Nur fuer FLR-Leitung nach DIN 72551 Teil 6 FOR FLR-CONDUCTOR ACCORDING TO DIN 72551-6 ONLY
- 
- nicht fuer Neuanwendung NOT FOR NEW APPLICATION
- zugverstaerkte Leitung nach LV 112-4 REINFORCED WIRE ACCORDING LV 112-4
- Bei doppelt fallenden Werkzeugen wird die erste Ueberfeder mit einer Kennzeichnung "-" versehen WITH DOUBLE OUT DIES THE FIRST SPRING WILL BE PROVIDED WITH AN INDICATION "-"
- Varianten von Design1 werden durch die entsprechenden Versionen von Design2 ersetzt VARIANTS OF DESIGN1 ARE SUPERSEDED BY CORRESPONDING VERSIONS OF DESIGN2

| Bestell-Nr. Ausfuehrung ORDER NO. DESIGN | Bestell-Nr. Ausfuehrung ORDER NO. DESIGN | Rev. | Bestell-Nr. Ausfuehrung ORDER NO. DESIGN | Rev. | VERSION  | DGB Wire Size Range mm <sup>2</sup> | Oberflaeche SURFACE | Laenge LENGTH mm                                     | Drahtcrimp WIRE CRIMP mm                    | Iso-crimp INSU-CRIMP mm                                 | Gewicht WEIGHT g | Vergaehrung Spez. APPLICATION SPEC. | DGB Wire Size Range mm <sup>2</sup> | Isolations Ø INSULATIN DIA. mm | fuer Kammer Ø3,45 FOR CAVITY DIA. 3.45 mm | Blindstopfen RUBBER PLUG | fuer Kammer Ø4 FOR CAVITY DIA. 4 mm | Blindstopfen RUBBER PLUG | zugehoerige Einzeldichtung / SUITABLE SINGLE WIRE SEAL |          |          |          |          |  |  |  |  |  |  |
|--|--|------|--|------|--|-------------------------------------|---------------------|--|---|---|------------------|-------------------------------------|-------------------------------------|--------------------------------|---|--------------------------|-------------------------------------|--------------------------|--|----------|----------|----------|----------|--|--|--|--|--|--|
| 6-965906-5                               | 5-965906-6                               | E    | 1-965906-5                               | D    | Einzeldichtungssystem<br>SINGLE WIRE SEAL SYSTEM | 0.50-0.75                           | Au-Gel              | A = 2.8<br>B = 4.2<br>C = 6.2<br>D = 14.3<br>M = 0.7 | E = 2<br>G = 2.1<br>D <sub>Dr</sub> = 1     | H = 3.5<br>K = 3.4<br>L = 1.5<br>D <sub>ISO</sub> = 2.4 | 0.13             | 114-18025                           | 0.75                                | 1.4-1.9                        | 967067-1                                  | 967056-1<br>blau / BLUE  | 963142-1                            | 967056-1<br>blau / BLUE  |  |          |          |          |          |  |  |  |  |  |  |
| 5-965906-6                               | 5-965906-5                               | D    | 965906-6                                 | C    |  |                                     | Au                  | A = 2.5<br>B = 3.9<br>C = 5.9<br>D = 14<br>M = 0.7   | E = 1.8<br>G = 1.8<br>D <sub>Dr</sub> = 0.8 | H = 3.5<br>K = 3.4<br>L = 1.5<br>D <sub>ISO</sub> = 2.4 |                  |                                     |                                     |                                | 0.35                                      |                          | 0.9-1.4                             |                          |  | 967067-2 | 963142-2 |          |          |  |  |  |  |  |  |
| 5-965906-5                               | 5-965906-1                               | E    | 965906-5                                 | D    |  |                                     | Sn                  | A = 2.5<br>B = 4.3<br>C = 6.2<br>D = 14.2<br>M = 0.6 | E = 1.5<br>G = 1.4                          | H = 4<br>K = 3.9<br>L = 3.1<br>D <sub>ISO</sub> = 2.6   |                  |                                     |                                     |                                | 0.2                                       |                          | 0.85-1.25                           |                          |  | 967067-2 | 963142-2 |          |          |  |  |  |  |  |  |
| 5-965906-1                               | 5-962885-6                               | D    | 965906-1                                 | C    |  |                                     |                     |  |   |   |                  |                                     |                                     |                                |   |                          |                                     |                          |  |          |          |          |          |  |  |  |  |  |  |
| 5-962885-6                               | 5-962885-5                               | J    | 962885-6                                 | H    | normale Anwendung<br>USUAL APPLICATION           | 0.25-0.35                           | Au-Gel              | A = 2.5<br>B = 3.6<br>C = 5.6<br>D = 13.7<br>M = 0.2 | E = 2<br>G = 2.1<br>D <sub>Dr</sub> = 1     | H = 2.7<br>K = 2.9<br>L = 0.7<br>D <sub>ISO</sub> = 1.6 | 0.11             | 114-18021                           | 0.11                                |                                |   |                          |                                     |                          |  |          |          |          |          |  |  |  |  |  |  |
| 5-962885-5                               | 5-962885-1                               | K    | 962885-5                                 | J    |  |                                     | Au                  | A = 2.5<br>B = 3.7<br>C = 5.4<br>D = 13.7<br>M = 0   | E = 1.8<br>G = 1.8<br>D <sub>Dr</sub> = 0.8 | H = 2.3<br>K = 2.3<br>L = 0.6<br>D <sub>ISO</sub> = 1.4 |                  |                                     |                                     |                                |   |                          |                                     |                          |  | 0.13     |          | 967067-2 | 963142-2 |  |  |  |  |  |  |
| 5-962885-1                               | 2141826-6                                | J    | 962885-1                                 | H    |  |                                     | Sn                  |  |   |   |                  |                                     |                                     |                                |   |                          |                                     |                          |  |          |          |          |          |  |  |  |  |  |  |
|  | 2141826-5                                | J    | 962885-1                                 | H    |  |                                     |                     |  |   |   |                  |                                     |                                     |                                |   |                          |                                     |                          |  |          |          |          |          |  |  |  |  |  |  |
|  | 2141826-1                                | A    |  |      |  | 0.13 / 0.17                         |                     |  |   |   | 0.1              |                                     |                                     |                                |   |                          |                                     |                          |  |          |          |          |          |  |  |  |  |  |  |
|  |  |      |  |      |  | 0.50-0.75                           |                     |  |   |   | 0.11             |                                     |                                     |                                |   |                          |                                     |                          |  |          |          |          |          |  |  |  |  |  |  |
|  |  |      |  |      |  | 0.25-0.35                           |                     |  |   |   | 0.11             |                                     |                                     |                                |   |                          |                                     |                          |  |          |          |          |          |  |  |  |  |  |  |
|  |  |      |  |      |  | 0.13 / 0.17                         |                     |  |   |   | 0.1              |                                     |                                     |                                |   |                          |                                     |                          |  |          |          |          |          |  |  |  |  |  |  |
|  |  |      |  |      |  | 0.08-0.22                           |                     |  |   |   | 0.1              |                                     |                                     |                                |   |                          |                                     |                          |  |          |          |          |          |  |  |  |  |  |  |



|   |  |                            |                                  |              |
|---|--|----------------------------|----------------------------------|--------------|
| THIS DRAWING IS A CONTROLLED DOCUMENT.      |  | OWN S. Garcia 05JAN1999    | TE Connectivity                  |              |
| DIMENSIONS: mm                              |  | CHK M. Bleicher 05JAN1999  | NAME                             |              |
| TOLERANCES UNLESS OTHERWISE SPECIFIED: ±0.2 |  | APPV R. Jetter 13AUG2003   | MOS                              |              |
| MATERIAL: -                                 |  | PRODUCT SPEC 108-18030     | Tabellenzeichnung Buchsenkontakt |              |
| APPLICATION SPEC 114-18021 / 114-18025      |  | SIZE 114-18021 / 114-18025 | TABLE SOCKET CONTACT             |              |
| CUSTOMER DRAWING                            |  | WEIGHT -                   | SCALE 10:1                       | SHEET 1 of 1 |
|   |  | 00779                      | REV C26                          |              |

## X-ON Electronics

Largest Supplier of Electrical and Electronic Components

*Click to view similar products for [Automotive Connectors](#) category:*

*Click to view products by [TE Connectivity](#) manufacturer:*

Other Similar products are found below :

[003-018-000](#) [60403001](#) [60993906-B](#) [M902-2131](#) [M902-2161](#) [M902-2344](#) [72.330.1035.1](#) [73.353.4028.0](#) [F119300-B](#) [F166900](#) [F258300-B](#)  
[F358300-B](#) [F407400](#) [F444110](#) [F487000](#) [F509500B-B](#) [827153-1](#) [8N1515-32-24P](#) [9-1326729-8](#) [925474-1](#) [928905-1](#) [964562-4](#) [968782-1](#)  
[GT17SA-8DS-HU](#) [98891-1012](#) [98947-1016](#) [12004147](#) [12004475-L](#) [12010290](#) [12010309-B](#) [12015454](#) [12020219-B](#) [12041318-B](#) [12052225-](#)  
[L](#) [12052466](#) [12064869](#) [12004327-B](#) [12015308](#) [12015384](#) [12015909](#) [1-21030-1](#) [12041254](#) [12041318](#) [12047946-B](#) [12047957](#) [12047957-L](#)  
[12059473](#) [12066261](#) [12110546](#) [12110546-B](#)