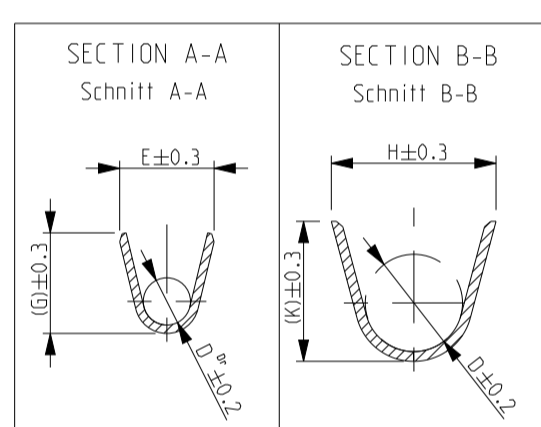
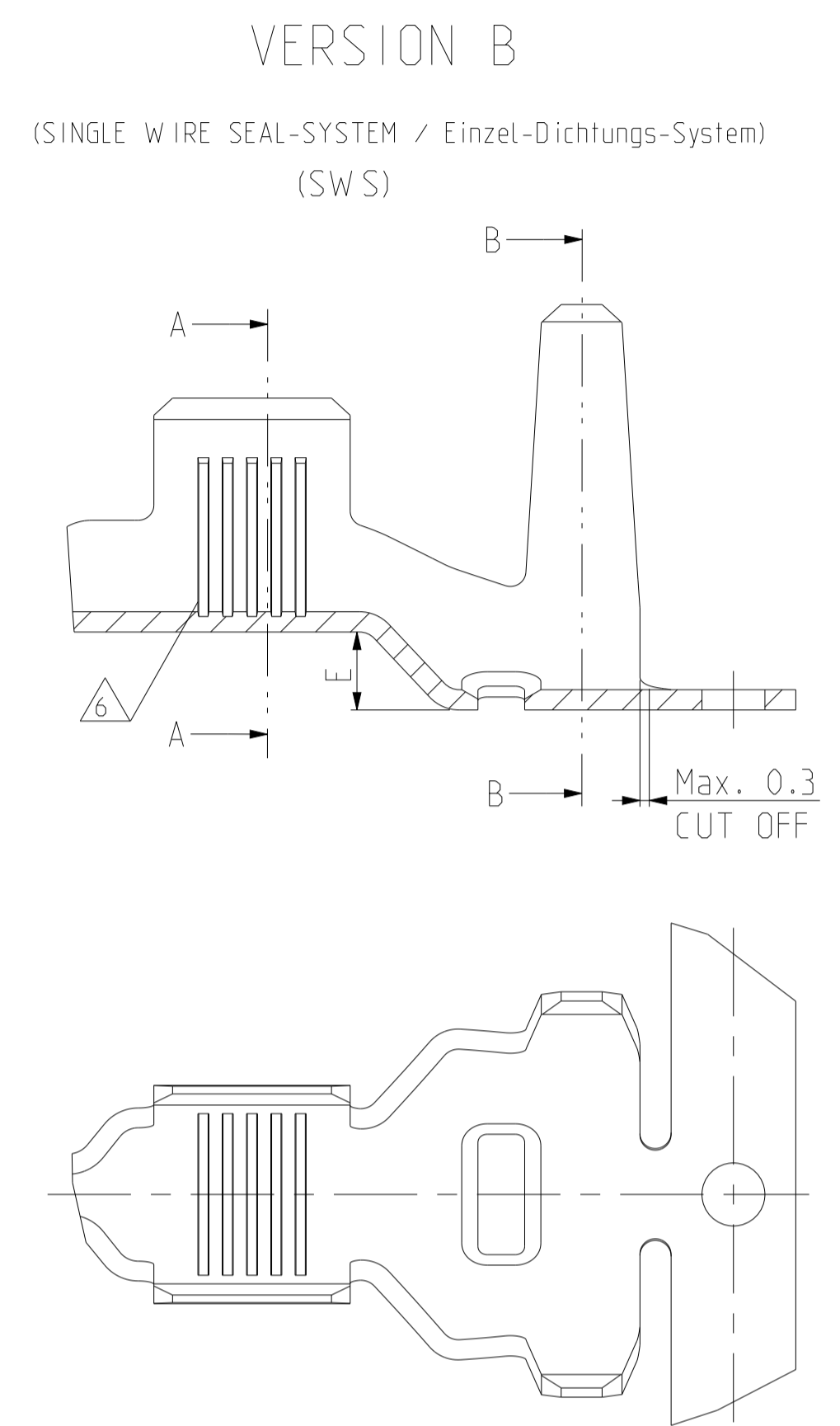
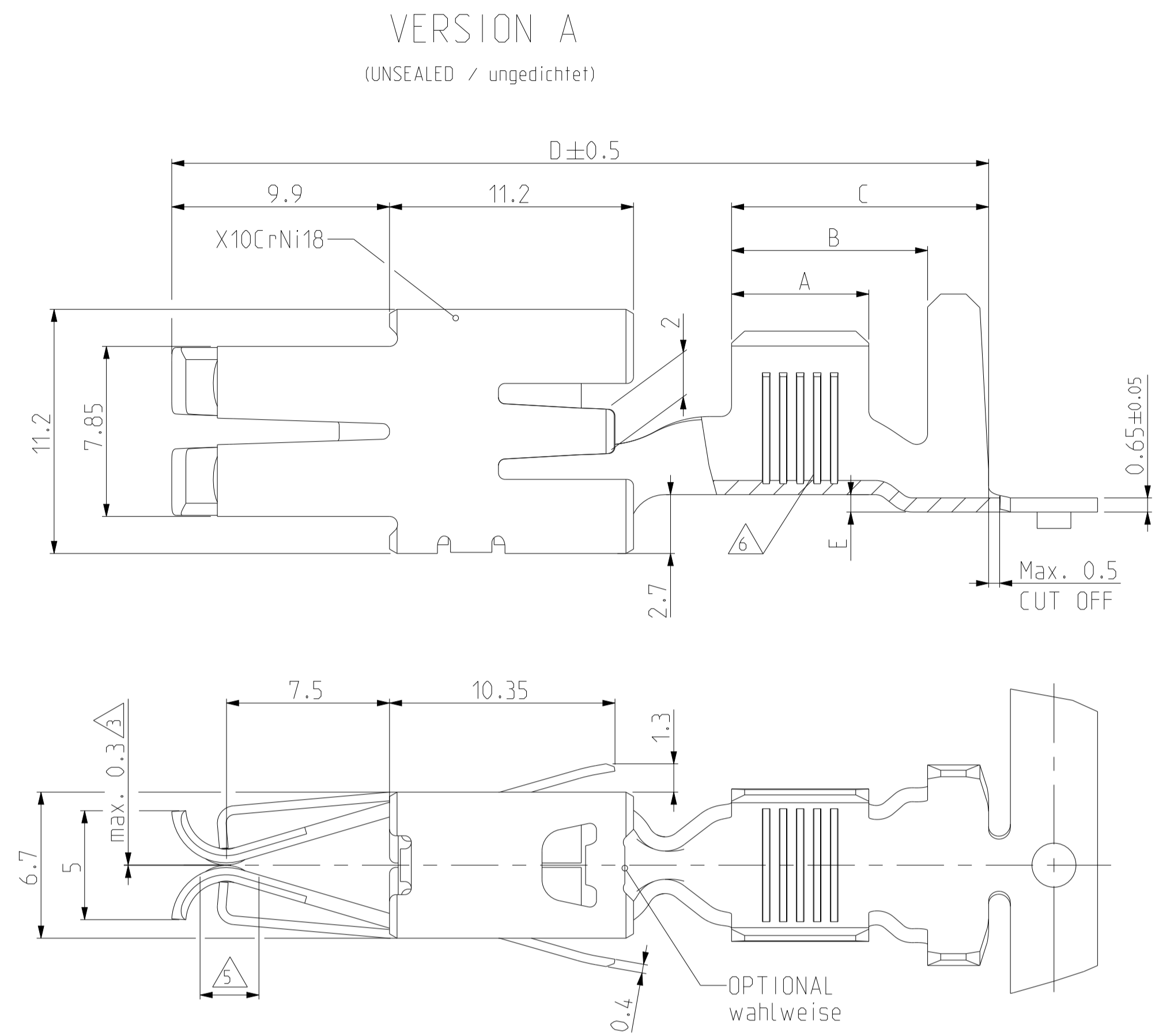


| REVISIONS |               |             |           |        |
|-----------|---------------|-------------|-----------|--------|
| P         | LTN           | DESCRIPTION | DATE      | APVD   |
| A8        | ECR-15-012070 |             | 13AUG2015 | JJH BK |
| A9        | ECR-16-014733 |             | 18OCT2016 | GH MP  |
| A10       | ECR-19-016548 |             | 24OCT2019 | JJH MP |
| A11       | ECR-20-003355 |             | 20SEP2020 | JPN MP |

- VERSION WITH REDUCED MATING FORCE  
Ausfuehrung mit reduzierter Steckkraft
- SUITABLE FOR TABS 8x1.2mm AND 9.5x1.2mm  
Geeignet fuer Flachstecker 8x1.2mm und 9.5x1.2mm

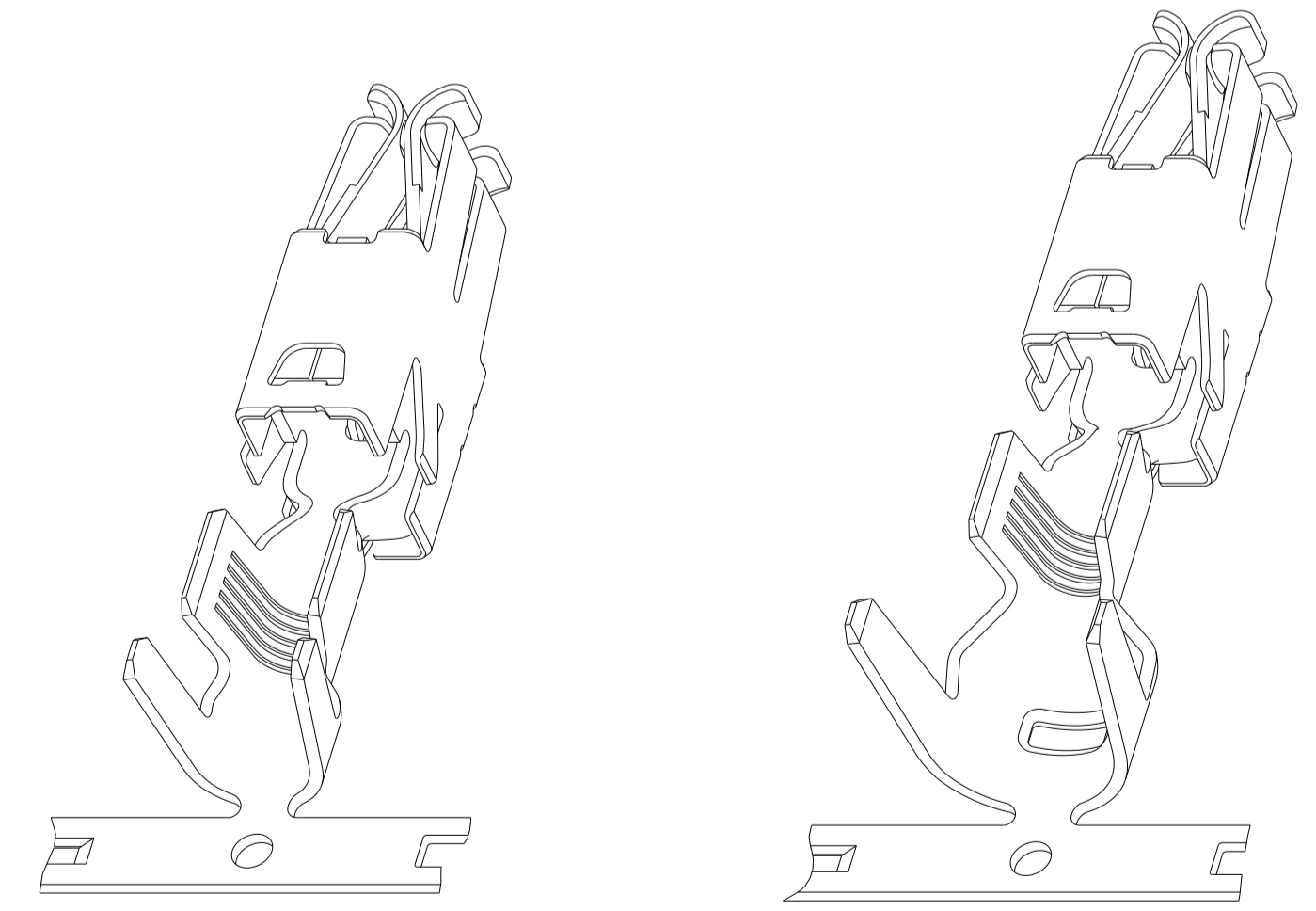
- FOR CRITIZATION OF THE GAP-SIZE.  
THE MATING-FORCE HAS PRIORITY  
(<40N WITH TEST TAB ACC. TO PRODUCT SPEC).  
Zur Beurteilung des Deffnungsmasses  
ist die Steckkraft ausschlaggebend  
(<40N mit der Pruefung tab nach produktspezifikation).
- 1-3 μm TIN LAYER FOR HIGHER TEMPERATURE REQUIREMENTS.  
1-3 μm Zinnschicht fuer hoehere Temperaturanforderungen.
- CONTACT ZONE SELECTIVE PRE-SILVER PLATED MIN. 3 μm; REST Ag FLASH  
Kontaktzone selektiv voreisilbert min. 3 μm; Rest Ag Blitz

| CHOICE OF SINGLE WIRE SEALS ACCORDING INSULATION-DIAMETER<br>Auswahl Einzeladerdichtung nach Isolationsdurchmesser |  |  |
|--|--|--|
|  | INSULATION-DIAMETER [mm]<br>Isolationsdurchmesser Leitung [mm] | SINGLE WIRE SEAL<br>Einzeladerdichtung |
| FLK  | 3.3 - 3.7  | 357972744 (VW-No.)                     |
|  | 4.0 - 4.5  | 357972744 (VW-No.)                     |
|  | 4.6 - 5.2  | 1355437-1                              |
| FLR  | 5.8 - 6.6  | 1355437-2                              |
|  | 2.7 - 3.0  | -                                      |
|  | 3.4 - 3.7  | 357972744 (VW-No.)                     |
|  | 4.0 - 4.3  | 357972744 (VW-No.)                     |
|  | 5.4 - 5.8  | -                                      |



| VERSION B |   |        |                          |   |          |                                  |   |                           |                                  |   |     |      |      |    |     |  |  |
|-----------|---|--------|--------------------------|---|----------|----------------------------------|---|---------------------------|----------------------------------|---|-----|------|------|----|-----|--|--|
| 962938-1  | F | CuNiSi | vorverzinkt<br>PRETINNED | 5 | 6.0-10.0 | 4.6-6.6<br>FLK<br>4.0-5.8<br>FLR | E=7.0<br>G=7.5<br>D <sub>0.8</sub> =3.7 | H=13.0<br>K=13.0<br>D=9.5 | 2151794<br>680699<br>2-878660-2  | - | 6.3 | 11.9 | 15.6 | 41 | 2.5 |  |  |
| 962936-1  | F | CuNiSi | vorverzinkt<br>PRETINNED | 4 | 4.0-6.0  | 4.0-5.2<br>FLK<br>3.4-4.3<br>FLR | E=5.6<br>G=5.9<br>D <sub>0.8</sub> =3.0 | H=13.0<br>K=13.0<br>D=9.5 | 2151146<br>2-878595-2            | - | 5.5 | 11.1 | 14.8 | 41 | 2.5 |  |  |
| 962934-1  | D | CuNiSi | vorverzinkt<br>PRETINNED | 4 | >2.5-4.0 | 3.3-4.5<br>FLK<br>2.7-3.7<br>FLR | E=4.9<br>G=5.1<br>D <sub>0.8</sub> =2.3 | H=13.0<br>K=13.0<br>D=9.5 | 2151781<br>1855578<br>2-878594-2 | - | 4.5 | 11.1 | 14.8 | 41 | 2.5 |  |  |

| VERSION A  |   |        |                          |   |          |                                  |   |                          |                       |   |     |     |      |      |     |  |  |
|------------|---|--------|--------------------------|---|----------|----------------------------------|---|--------------------------|-----------------------|---|-----|-----|------|------|-----|--|--|
| 1-962932-6 | A | CuNiSi |                          | 5 | 6.0-10.0 | 4.6-6.6<br>FLK<br>4.0-5.8<br>FLR | E=7.0<br>G=7.5<br>D <sub>0.8</sub> =3.7 | H=9.2<br>K=10.0<br>D=5.9 | 2151285<br>2-878659-2 | 734533-1<br>(only for 10mm <sup>2</sup> ) | 6.3 | 9.0 | 11.8 | 37.5 | 0.8 |  |  |
| 962932-1   | H | CuNiSi | vorverzinkt<br>PRETINNED | 4 | 4.0-6.0  | 4.0-5.2<br>FLK<br>3.4-4.3<br>FLR | E=5.6<br>G=5.9<br>D <sub>0.8</sub> =3.0 | H=7.8<br>K=8.1<br>D=4.5  | 2151284<br>1855532    | 734532-1<br>(only for 6mm <sup>2</sup> )  | 5.5 | 7.8 | 10.1 | 37.5 | 0.6 |  |  |
| 962928-3   | G | CuNiSi |                          | 4 | >2.5-4.0 | 3.3-4.5<br>FLK<br>2.7-3.7<br>FLR | E=4.9<br>G=5.1<br>D <sub>0.8</sub> =2.3 | H=6.9<br>K=7.2<br>D=4.0  | 2151492<br>2-878592-2 | 734531-1                                  | 4.5 | 6.8 | 9.1  | 37.5 | 0.6 |  |  |
| 962928-1   | G | CuNiSi | vorverzinkt<br>PRETINNED |   |          |                                  |   |                          |                       |   |     |     |      |      |     |  |  |



| PN STRIP FORM Bandware | REV. | MATERIAL Werkstoff | SURFACE Oberfloechе | NUMBER OF SERRATIONS Anzahl der Verzahnungen | DGB WIRE RANGE [mm <sup>2</sup> ] | INSULATION DIAMETER [mm] | WIRE CRIMP Drahtcrimp | INSUL.-CRIMP Isol.-Crimp | APPLICATION TOOL Anschlag-WKZ | HAND TOOL Handzange                               | A | B | C | D | E              |
|------------------------|------|--------------------|---------------------|--|-----------------------------------|--------------------------|-----------------------|--------------------------|-------------------------------|---|---|---|---|---|----------------|
|                        |      |                    |                     |  |                                   |                          |                       |                          |                               |   |   |   |   |   | -0.25<br>-0.15 |
|                        |      |                    |                     |  |                                   |                          |                       |                          |                               | EXTRACTION TOOL Ausdruckwerkzeug No.: 1-1579007-7 |   |   |   |   |                |

THIS DRAWING IS A CONTROLLED DOCUMENT. DIMENSIONING AND TOLERANCING PER GPS (ISO STANDARDS)

OWN: M. Prellschiffer 31JUL2000  
 CHK: V. Huhn 31JUL2000  
 APVD: M. Bleicher 31JUL2000

TE Connectivity

NAME: MAXI POWER TIMER FOR 1.2mm TABS  
 MAXI POWER TIMER fuer 1.2mm TABS

SIZE: A1  
 CAGE CODE: 00779  
 DRAWING NO: 108-18047  
 APPLICATION SPEC: 116-18075

RESTRICTED TO: -

SCALE: 5:1  
 SHEET: 1 OF 1  
 REV: A11

## X-ON Electronics

Largest Supplier of Electrical and Electronic Components

*Click to view similar products for [Automotive Connectors](#) category:*

*Click to view products by [TE Connectivity](#) manufacturer:*

Other Similar products are found below :

[003-018-000](#) [60993906-B](#) [M902-2131](#) [M902-2161](#) [M902-2344](#) [72.330.1035.1](#) [73.353.4028.0](#) [F166900](#) [F358300-B](#) [F407400](#) [776880-1](#)  
[827153-1](#) [8N1515-32-24P](#) [9-1326729-8](#) [925474-1](#) [928905-1](#) [964562-4](#) [968782-1](#) [98891-1012](#) [12004475-L](#) [12020308](#) [12041318-B](#)  
[12052466](#) [12064869](#) [12015909](#) [1-21030-1](#) [12041254](#) [12041318](#) [12047946-B](#) [12047957](#) [12110546-B](#) [12131792](#) [12092346](#) [HD34-18-14PT](#)  
[HD46-24-23SN-059](#) [HDB36-24-16PN-059](#) [HDP26-24-9SE-L015](#) [12185280](#) [12185550](#) [12336-12](#) [12147304](#) [12191172-B](#) [12S](#) [13545280](#)  
[13577943](#) [13681974](#) [13737722-B](#) [13755420](#) [13783086](#) [13830674](#)