

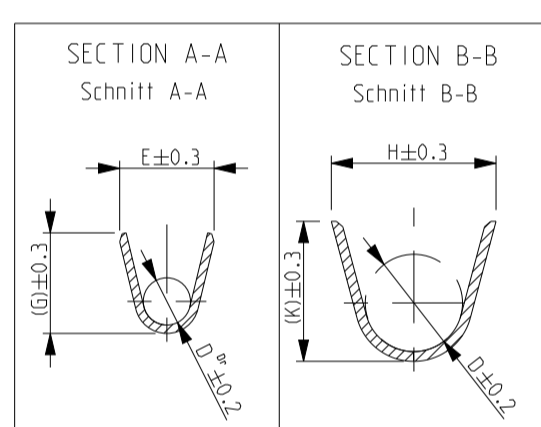
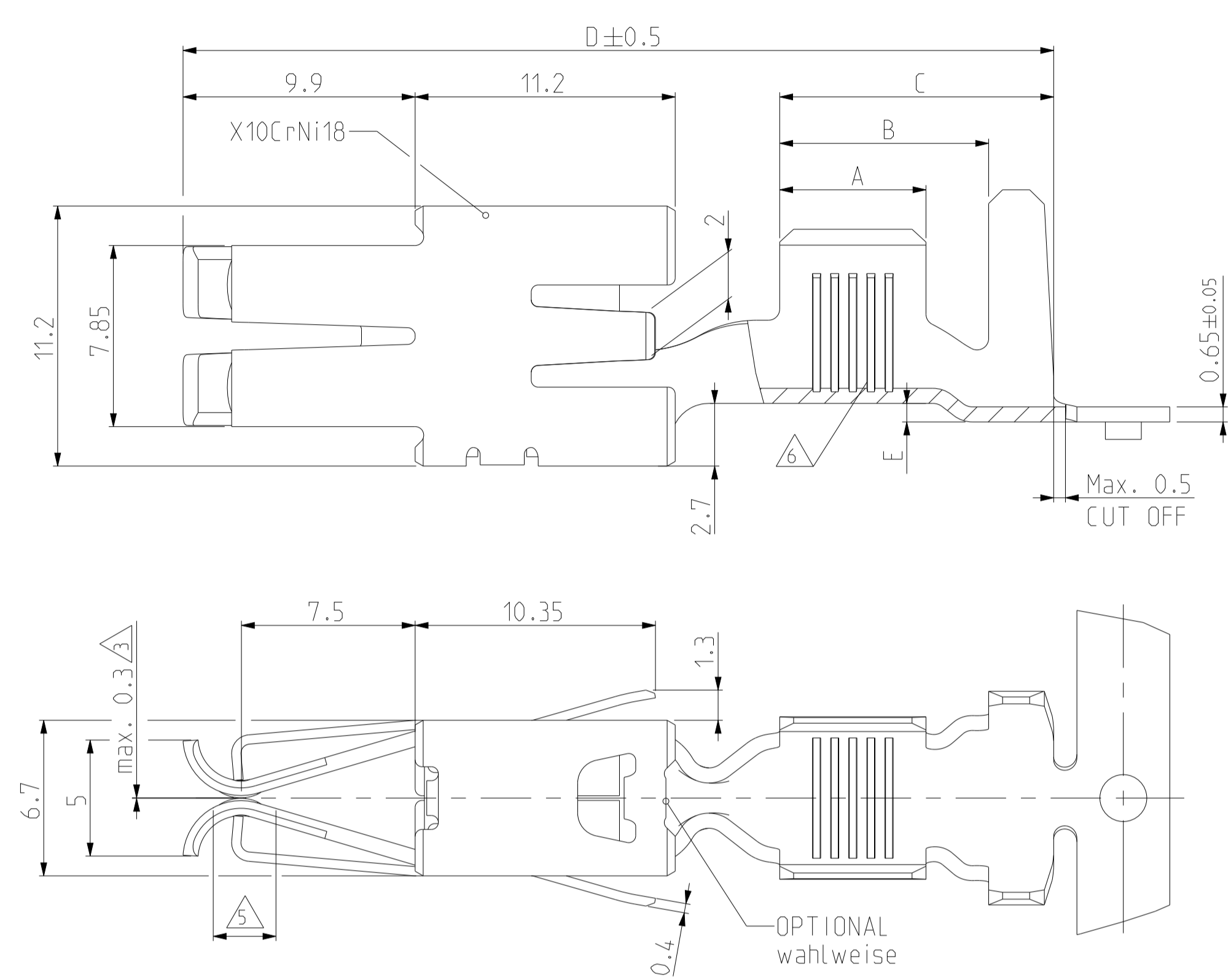
REVISIONS				
P	LTA	DESCRIPTION	DATE	APVD
A8	ECR-15-012070		13AUG2015	JJH BK
A9	ECR-16-014733		18OCT2016	GH MP
A10	ECR-19-016548		24OCT2019	JJH MP
A11	ECR-20-003355		20SEP2020	JPN MP

- VERSION WITH REDUCED MATING FORCE  
Ausfuehrung mit reduzierter Steckkraft
- SUITABLE FOR TABS 8x1.2mm AND 9.5x1.2mm  
Geeignet fuer Flachstecker 8x1.2mm und 9.5x1.2mm

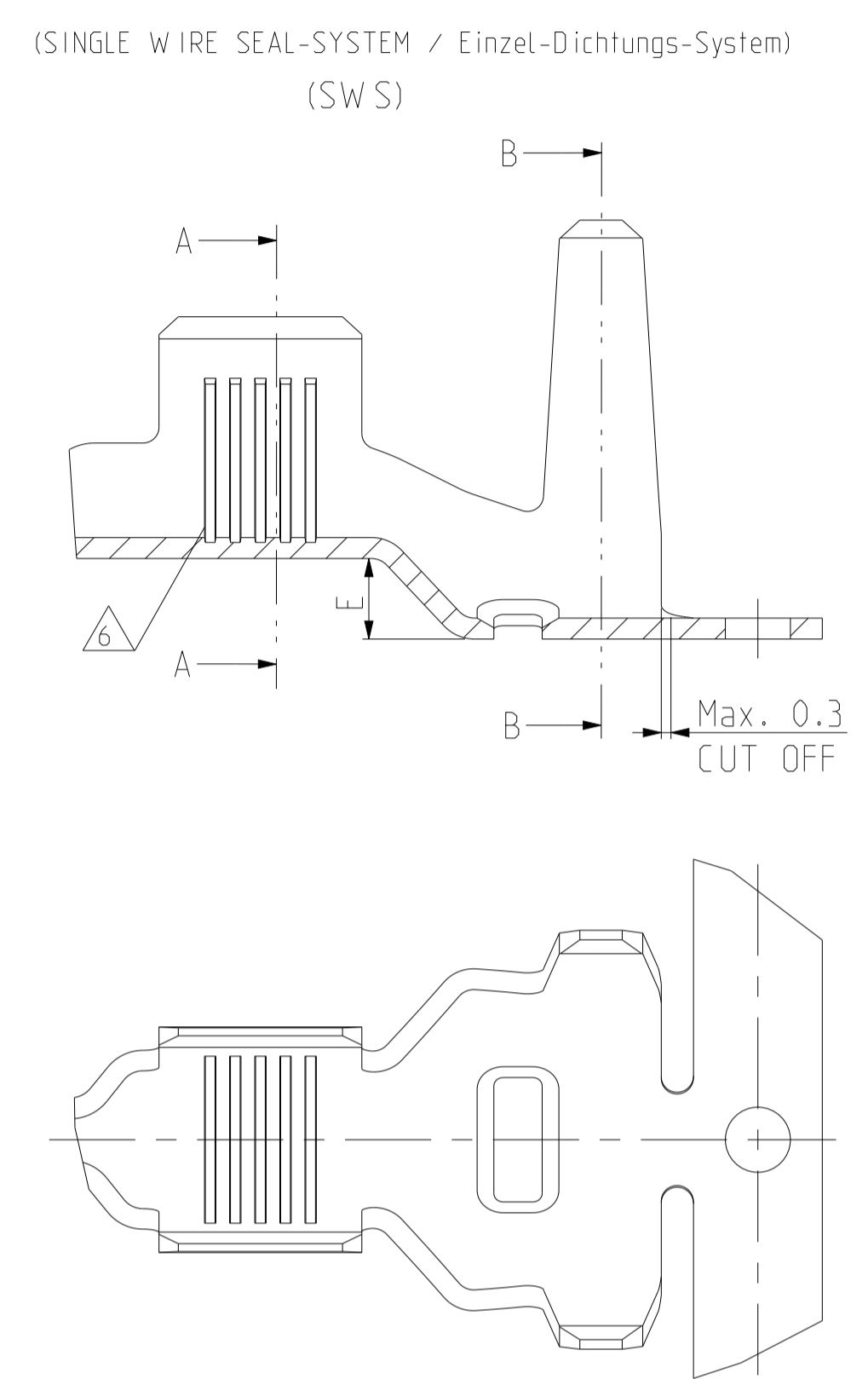
- FOR CRITIZATION OF THE GAP-SIZE. THE MATING-FORCE HAS PRIORITY (<40N WITH TEST TAB ACC. TO PRODUCT SPEC).  
Zur Beurteilung des Deffnungsmasses ist die Steckkraft ausschlaggebend (<40N mit der Pruefung tab nach produktspezifikation).
- 1-3µm TIN LAYER FOR HIGHER TEMPERATURE REQUIREMENTS.  
1-3µm Zinnschicht fuer hoehere Temperaturanforderungen.
- CONTACT ZONE SELECTIVE PRE-SILVER PLATED MIN. 3µm; REST Ag FLASH  
Kontaktzone selektiv voreisilbert min. 3µm; Rest Ag Blitz

CHOICE OF SINGLE WIRE SEALS ACCORDING INSULATION-DIAMETER Auswahl Einzeladerdichtung nach Isolationsdurchmesser		
INSULATION-DIAMETER [mm] Isolationsdurchmesser Leitung [mm]	SINGLE WIRE SEAL Einzeladerdichtung	
FLK	3.3 - 3.7	357972744 (VW-No.)
	4.0 - 4.5	357972744 (VW-No.)
	4.6 - 5.2	1355437-1
FLR	5.8 - 6.6	1355437-2
	2.7 - 3.0	-
	3.4 - 3.7	357972744 (VW-No.)
FLR	4.0 - 4.3	357972744 (VW-No.)
	5.4 - 5.8	-

### VERSION A (UNSEALED / ungedichtet)

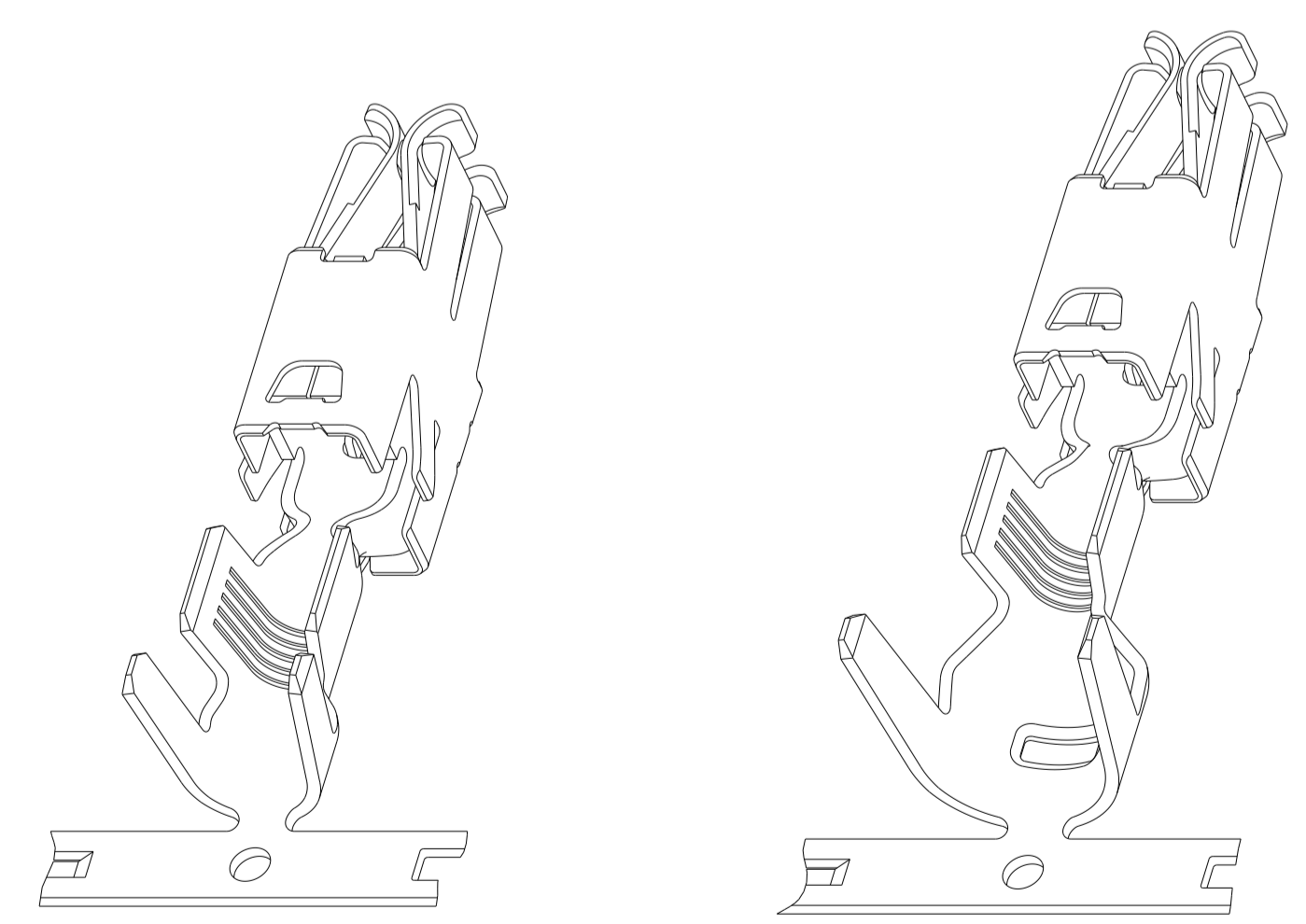


### VERSION B (SINGLE WIRE SEAL-SYSTEM / Einzel-Dichtungs-System)



VERSION B	PART NUMBER		MATERIAL	SURFACE	SERRATIONS	DGB WIRE RANGE	INSULATION DIAMETER	WIRE CRIMP	INSUL.-CRIMP	APPLICATION TOOL	HAND TOOL	DIMENSIONS				
	FLK	FLR										E	G	D <sub>OR</sub>	H	K
962938-1	F	CuNiSi	vorverzinnt PRETINNED	5	6.0-10.0	4.6-6.6 FLK 4.0-5.8 FLR	E=7.0 G=7.5 D <sub>OR</sub> =3.7	H=13.0 K=13.0 D=9.5	2151794 680699 2-878660-2	-	6.3	11.9	15.6	41	2.5	
962936-1	F	CuNiSi	vorverzinnt PRETINNED	4	4.0-6.0	4.0-5.2 FLK 3.4-4.3 FLR	E=5.6 G=5.9 D <sub>OR</sub> =3.0	H=13.0 K=13.0 D=9.5	2151146 2-878595-2	-	5.5	11.1	14.8	41	2.5	
962934-1	D	CuNiSi	vorverzinnt PRETINNED	4	>2.5-4.0	3.3-4.5 FLK 2.7-3.7 FLR	E=4.9 G=5.1 D <sub>OR</sub> =2.3	H=13.0 K=13.0 D=9.5	2151781 1855578 2-878594-2	-	4.5	11.1	14.8	41	2.5	

VERSION A	PART NUMBER		MATERIAL	SURFACE	SERRATIONS	DGB WIRE RANGE	INSULATION DIAMETER	WIRE CRIMP	INSUL.-CRIMP	APPLICATION TOOL	HAND TOOL	DIMENSIONS				
	FLK	FLR										E	G	D <sub>OR</sub>	H	K
1-962932-6	A	CuNiSi	vorverzinnt PRETINNED	5	6.0-10.0	4.6-6.6 FLK 4.0-5.8 FLR	E=7.0 G=7.5 D <sub>OR</sub> =3.7	H=9.2 K=10.0 D=5.9	2151285 2-878659-2	734533-1 (only for 10mm <sup>2</sup> )	6.3	9.0	11.8	37.5	0.8	
962932-1	H	CuNiSi	vorverzinnt PRETINNED	4	4.0-6.0	4.0-5.2 FLK 3.4-4.3 FLR	E=5.6 G=5.9 D <sub>OR</sub> =3.0	H=7.8 K=8.1 D=4.5	2151284 1855532	734532-1 (only for 6mm <sup>2</sup> )	5.5	7.8	10.1	37.5	0.6	
962928-3	G	CuNiSi	vorverzinnt PRETINNED	4	>2.5-4.0	3.3-4.5 FLK 2.7-3.7 FLR	E=4.9 G=5.1 D <sub>OR</sub> =2.3	H=6.9 K=7.2 D=4.0	2151492 2-878592-2	734531-1	4.5	6.8	9.1	37.5	0.6	



THIS DRAWING IS A CONTROLLED DOCUMENT. DIMENSIONING AND TOLERANCING PER GPS (ISO STANDARDS) UNLESS OTHERWISE SPECIFIED.

OWN: M. Pfeilschifter 31JUL2000  
 CHK: V. Huhn 31JUL2000  
 APVD: M. Bleicher 31JUL2000

TE Connectivity  
**STE**  
 NAME: MAXI POWER TIMER FOR 1.2mm TABS  
 MAXI POWER TIMER fuer 1.2mm TABS

DIMENSIONS: mm  
 TOLERANCES UNLESS OTHERWISE SPECIFIED:  
 P/LC ±0.2mm  
 P/C ±0.1mm  
 W/ISO 2768-M-IE  
 P/LC ±0.2mm  
 ANGLES ±2°  
 FINISH SEE TABLE

MATERIAL: SEE TABLE  
 WEIGHT: -  
 Customer Drawing

SIZE: A1  
 CAGE CODE: 00779  
 DRAWING NO: 108-18047  
 APPLICATION SPEC: 116-18075  
 SCALE: 5:1  
 SHEET: 1 OF 1  
 REV: A11

## X-ON Electronics

Largest Supplier of Electrical and Electronic Components

*Click to view similar products for [Automotive Connectors](#) category:*

*Click to view products by [TE Connectivity](#) manufacturer:*

Other Similar products are found below :

[003-018-000](#) [60403001](#) [60993906-B](#) [M902-2131](#) [M902-2161](#) [M902-2344](#) [72.330.1035.1](#) [73.353.4028.0](#) [F119300-B](#) [F166900](#) [F258300-B](#)  
[F358300-B](#) [F407400](#) [F444110](#) [F487000](#) [F509500B-B](#) [827153-1](#) [8N1515-32-24P](#) [9-1326729-8](#) [925474-1](#) [928905-1](#) [964562-4](#) [968782-1](#)  
[GT17SA-8DS-HU](#) [98891-1012](#) [98947-1016](#) [12004147](#) [12004475-L](#) [12010290](#) [12010309-B](#) [12015454](#) [12020219-B](#) [12041318-B](#) [12052225-](#)  
[L](#) [12052466](#) [12064869](#) [12004327-B](#) [12015308](#) [12015384](#) [12015909](#) [1-21030-1](#) [12041254](#) [12041318](#) [12047946-B](#) [12047957](#) [12047957-L](#)  
[12059473](#) [12066261](#) [12110546](#) [12110546-B](#)