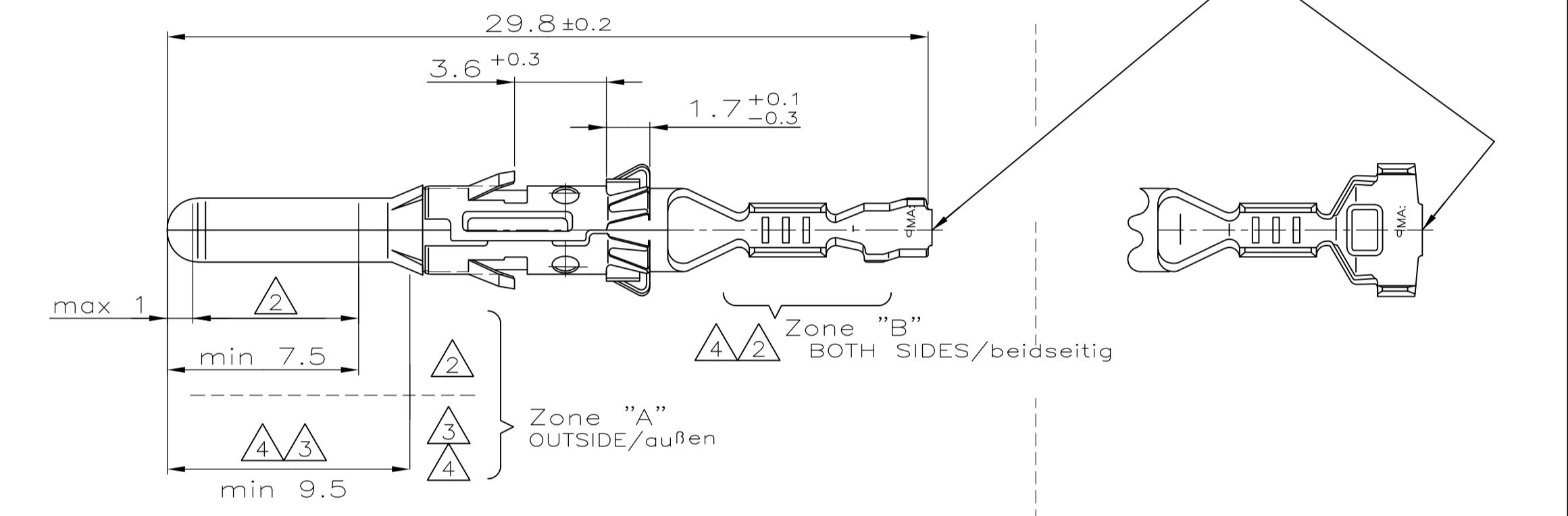


TE CONNECTIVITY ORDER-Nr.	TE CONNECTIVITY ORDER-Nr.	REV.	MATERIAL	SURFACE	DGB	WIRE CRIMP	INSUL.-CRIMP	WIRE CRIMP HEIGHT CH	APPLICATION TOOL	HAND TOOL	A	B	C
SINGLE SEAL Einzeldichtung	DEAD END PLUG Blindstopfen		Werkstoff	Oberfläche	[mm <sup>2</sup> ]	Drahtcrimp	Isol.-Crimp	Drahtcrimp-Höhe CH	Anschlag-WKZ	Handzange			
			CRIMP DIMENSION (mm)		EXTRACTION TOOL								
			Crimpabmessungen (mm)		Ausdrückwerkzeug		Nr.: 872070-1						
1-929968-0	1-962972-0	M	CuFe2	2	>1.0-2.5	E = 3.6	H = 5.0	2.5mm <sup>2</sup> = 1.97	MQC-Applicator	734289-2	4	6.9	8.5
929968-9	962972-9	M	CuFe2	3	FLR	G = 3.8	K = 5.0	2.0mm <sup>2</sup> = 1.82	2-878486-2				
929968-8	962972-8	M	CuNiSi	2		D <sub>cr</sub> = 1.7	D = 3.6	1.5mm <sup>2</sup> = 1.67					
929968-7	962972-7	M	CuFe2	3									
929968-4	962972-4	M	CuFe2	1									
929968-1	962972-1	M	CuNiSi	1									
1-929967-4	1-962971-4	A	CuNiSi	4	0.5-1.0	E = 2.6	H = 4.8	1.0mm <sup>2</sup> = 1.45	MQC-Applicator	734289-1	3	5.4	7
1-929967-0	1-962971-0	M	CuFe2	2	FLR	G = 2.8	K = 4.8	0.75mm <sup>2</sup> = 1.36	2-878485-2				
929967-9	962971-9	M	CuFe2	3		D <sub>cr</sub> = 1.1	D = 3.2	0.5mm <sup>2</sup> = 1.27					
929967-8	962971-8	M	CuNiSi	2									
929967-7	962971-7	M	CuFe2	3									
929967-4	962971-4	M	CuFe2	1									
929967-1	962971-1	M	CuNiSi	1									
1-929966-0	1-962970-0	M	CuFe2	2	0.2-0.4	E = 2.1	H = 4.5	0.35mm <sup>2</sup> = 1.11	MQC-Applicator	2-878484-2	3	5.4	7
929966-9	962970-9	M	CuFe2	3	FLR	G = 2.1	K = 4.5						
929966-8	962970-8	M	CuNiSi	2		D <sub>cr</sub> = 0.8	D = 3.2						
929966-7	962970-7	M	CuFe2	3									
929966-4	962970-4	M	CuFe2	1									
929966-1	962970-1	M	CuNiSi	1									
1-929965-0	1-962969-0	J	CuFe2	2	>2.5-4.0	E = 4.3	H = 5.4	4.0mm <sup>2</sup> = 2.30	MQC-Applicator	734285-3	4	5.5	8.5
929965-9	962969-9	J	CuFe2	3	FLR	G = 4.5	K = 5.6	3.0mm <sup>2</sup> = 2.05	2-878483-2				
929965-8	962969-8	J	CuNiSi	2		D <sub>cr</sub> = 2.4	D = 3.2						
929965-7	962969-7	J	CuFe2	3									
929965-4	962969-4	J	CuFe2	1									
929965-1	962969-1	J	CuNiSi	1									
1-929964-0	1-962968-0	J	CuFe2	2	>1.0-2.5	E = 3.6	H = 4.3	2.5mm <sup>2</sup> = 1.97	MQC-Applicator	734285-2	4	5.5	8.5
929964-9	962968-9	J	CuFe2	3	FLR	G = 3.8	K = 4.5	2.0mm <sup>2</sup> = 1.82	2-878482-2				
929964-8	962968-8	J	CuNiSi	2		D <sub>cr</sub> = 1.7	D = 2.6	1.5mm <sup>2</sup> = 1.67					
929964-7	962968-7	J	CuFe2	3				1.25mm <sup>2</sup> = 1.60					
929964-4	962968-4	J	CuFe2	1									
929964-1	962968-1	J	CuNiSi	1									
1-929963-0	1-962967-0	L	CuFe2	2	0.5-1.0	E = 2.6	H = 3.2	1.0mm <sup>2</sup> = 1.45	MQC-Applicator	734285-1	3	4.5	7
929963-9	962967-9	L	CuFe2	3	FLR	G = 2.8	K = 3.4	0.75mm <sup>2</sup> = 1.36	2-878481-2				
929963-8	962967-8	L	CuNiSi	2		D <sub>cr</sub> = 1.1	D = 1.8	0.5mm <sup>2</sup> = 1.27					
929963-7	962967-7	L	CuFe2	3									
929963-4	962967-4	L	CuFe2	1									
929963-1	962967-1	L	CuNiSi	1									
1-929962-0	1-962966-0	J	CuFe2	2	0.2-0.4	E = 2.1	H = 2.5	0.35mm <sup>2</sup> = 1.11	MQC-Applicator	734285-1	3	4.5	7
929962-9	962966-9	J	CuFe2	3	FLR	G = 2.1	K = 2.5	0.25mm <sup>2</sup> = 1.07	2-878480-2				
929962-8	962966-8	J	CuNiSi	2		D <sub>cr</sub> = 0.8	D = 1.4	0.2mm <sup>2</sup> = 1.05					
929962-7	962966-7	J	CuFe2	3									
929962-4	962966-4	J	CuFe2	1									
929962-1	962966-1	J	CuNiSi	1									



**REMARKS**  
Bemerkungen

1. **PRE TINNED** 1-2μm vorverzint

2. **ZONE "A":** MIN 0.8μm ELECTROPL. Au OVER MIN 1.3μm ELECTROPL. Ni LAYER  
min 0.8μm galv. Au über min 1.3μm galv. Ni  
**ZONE "B":** 1-2μm ELECTROPL. Sn OVER MIN 0.1μm ELECTROPL. Ni  
1-2μm galv. Sn über min 0.1μm galv. Ni  
**REST:** min 0.1μm ELECTROPL. Ni  
min 0.1μm galv. Ni

3. **ZONE "A":** MIN 3μm ELECTROPL. Ag  
min 3μm galv. Ag  
**REST:** min 0.5μm ELECTROPL. Ag  
min 0.5μm galv. Ag

4. **ZONE "A":** MIN 3μm ELECTROPL. Ag  
min 3μm galv. Ag  
**ZONE "B":** 1-3μm ELECTROPL. Sn  
1-3μm galv. Sn  
**REST:** SILVER OR TIN ALLOWED IN TRANSITION AREAS.OVERLAPPING LAYERS  
**AND PLAIN SURFACES ARE NOT ALLOWED.**  
Silber oder Zinn im Übergangsbereich erlaubt.  
überlagernde Schichten oder blanke Stellen sind nicht erlaubt.

5. **AT AREA OF TOP OPENING PERMITTED**  
Im Bereich der Spitze Öffnung zulässig

6. **AVAILABILITY MUST BE CHECKED BY TE CONNECTIVITY**  
Verfügbarkeit ist von TE CONNECTIVITY zu prüfen

TE CONNECTIVITY ORDER-Nr.		TE CONNECTIVITY ORDER-Nr.	REV.	MATERIAL	SURFACE	DGB	WIRE CRIMP	INSUL.-CRIMP	WIRE CRIMP HEIGHT CH	APPLICATION TOOL	HAND TOOL	A	B	C
STRIP FORM Bandware		LOOSE PIECE Einzelausführung		Werkstoff	Oberfläche	[mm <sup>2</sup> ]	Drahtcrimp	Isol.-Crimp	Drahtcrimp-Höhe CH	Anschlag-WKZ	Handzange			
				CRIMP DIMENSION (mm)		EXTRACTION TOOL								
				Crimpabmessungen (mm)		Ausdrückwerkzeug		Nr.: 872070-1						

THIS DRAWING IS A CONTROLLED DOCUMENT. DIESE ZEICHNUNG IST EIN KONTROLLIERTES DOKUMENT.		DIN C. Goeltz 25-JUN-2001	APVD		NAME	
DIMENSIONS: DIMENSIONEN mm		TOLERANCES UNLESS OTHERWISE SPECIFIED: ALLE TOLERANZEN	APVD		NAME	
0-RS ± 0.15 mm		1-PLC ± -		PRODUCT SPEC 108-18027		
2-PLC ± -		3-PLC ± -		APPLICATION SPEC 114-18020		
4-PLC ± -		ANGLES / WINKEL ± 1°		WEIGHT 0.85 g		
MATERIAL SEE TABLE		FINISH / OBERFLÄCHE/FARBE SEE TABLE		CUSTOMER DRAWING / KUNDENZEICHNUNG		
		SCALE 5:1		SHEET 1 OF 1		
		REV 1		APVD		

## X-ON Electronics

Largest Supplier of Electrical and Electronic Components

*Click to view similar products for [Automotive Connectors](#) category:*

*Click to view products by [TE Connectivity](#) manufacturer:*

Other Similar products are found below :

[003-018-000](#) [60403001](#) [60993906-B](#) [M902-2131](#) [M902-2161](#) [M902-2344](#) [72.330.1035.1](#) [73.353.4028.0](#) [F119300-B](#) [F166900](#) [F258300-B](#)  
[F358300-B](#) [F407400](#) [F444110](#) [F487000](#) [F509500B-B](#) [827153-1](#) [8N1515-32-24P](#) [9-1326729-8](#) [925474-1](#) [928905-1](#) [964562-4](#) [968782-1](#)  
[GT17SA-8DS-HU](#) [98891-1012](#) [98947-1016](#) [12004147](#) [12004475-L](#) [12010290](#) [12015454](#) [12020219-B](#) [12041318-B](#) [12052225-L](#) [12052466](#)  
[12064869](#) [12004327-B](#) [12015308](#) [12015384](#) [12015909](#) [1-21030-1](#) [12041254](#) [12041318](#) [12047946-B](#) [12047957](#) [12047957-L](#) [12059473](#)  
[12066261](#) [12110546](#) [12110546-B](#) [12131792](#)