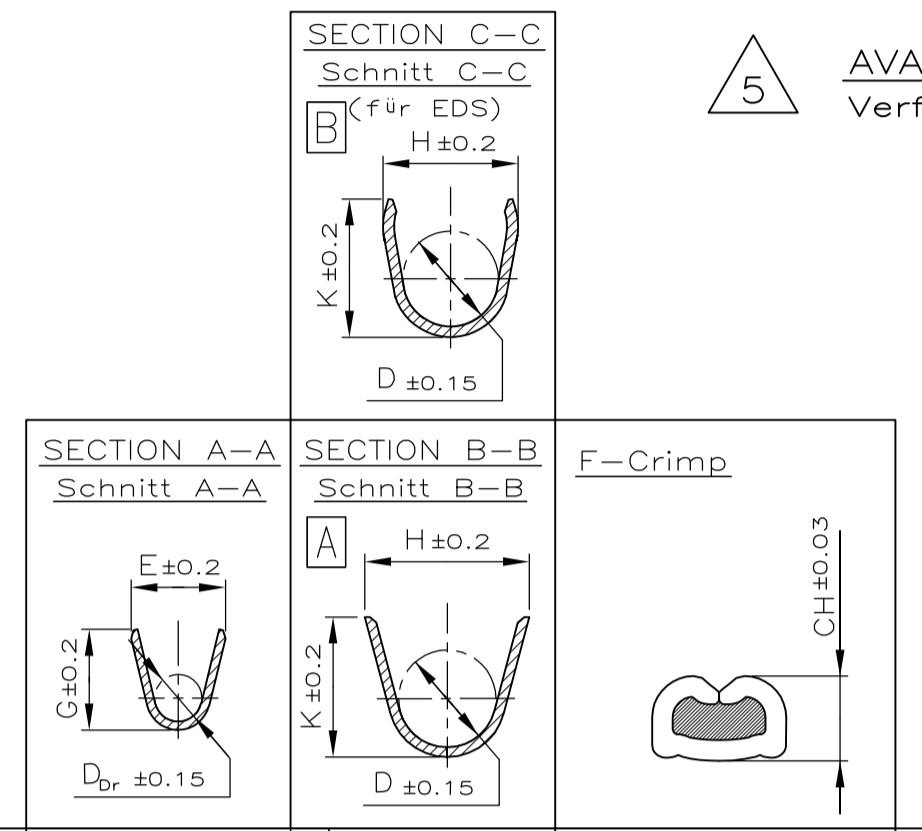


LOC	DIST	REVISIONS			
AI	-	MINOR	DESCRIPTION	DATE	DW
			BESCHREIBUNG		APVD
PROJECT NR.	A6	REVISED PER	ECO-11-005150	21MAR11	RK HMR

REMARKS
Bemerkungen

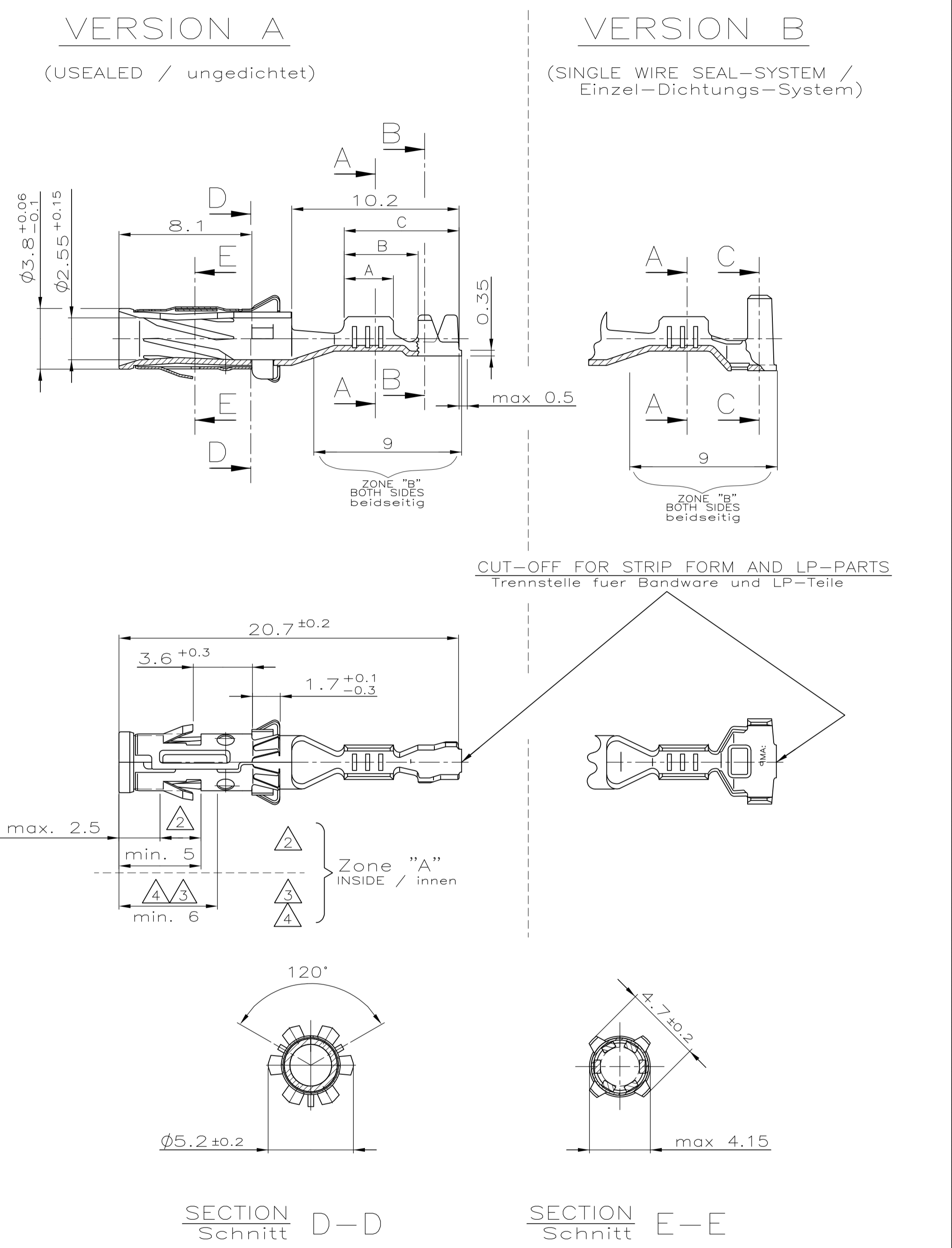
- 1 **PRE TINNED** 1-2µm
vorverzint
- 2 **ZONE "A":** MIN 0.8µm ELECTROPL. Au OVER MIN 1.3µm ELECTROPL. Ni LAYER
min 0.8µm galv. Au über min 1.3µm galv. Ni
ZONE "B": 1-2µm ELECTROPL. Sn OVER MIN 0.1µm ELECTROPL. Ni
1-2µm galv. Sn über min 0.1µm galv. Ni
REST: min 0.1µm ELECTROPL. Ni
min 0.1µm galv. Ni
- 3 **ZONE "A":** MIN 3µm ELECTROPL. Ag
min. 3µm galv. Ag
REST: 0.5µm ELECTROPL. Ag
0.5µm galv. Ag

- 4 **ZONE "A":** MIN 3µm ELECTROPL. Ag
min 3µm galv. Ag
ZONE "B": 1-3µm ELECTROPL. Sn
1-3µm galv. Sn
REST: SILVER OR TIN ALLOWED IN TRANSITION AREAS.OVERLAPPING LAYERS
AND PLAIN SURFACES ARE NOT ALLOWED.
Silber oder Zinn im Übergangsbereich erlaubt.
überlagernde Schichten oder blanke Stellen sind nicht erlaubt.
- 5 **AVAILABILITY MUST BE CHECKED BY TE CONNECTIVITY**
Verfügbarkeit ist von TE CONNECTIVITY zu prüfen



Version B (SINGLE WIRE SEAL-System / Einzel-Dichtungs-System)	Part No.	Material	Surface	DGB [mm²]	WIRE CRIMP	INSUL.-CRIMP	WIRE CRIMP HEIGHT CH	APPLICATION TOOL	HAND TOOL	A	B	C	ORDER-Nr.	ORDER-Nr.
													SINGLE SEAL	DEAD END PLUG
FLR	1-929975-0	CuFe2	2	>1.0-2.5	E = 3.6	H = 5.0	2.5mm² = 1.97	MQC-Applicator	734289-2	4	6.9	8.5	828921-1	828922-1
	929975-9	CuNiSi	3	G = 3.8	K = 5.0	2.0mm² = 1.82	2-878486-2							
	929975-8	CuNiSi	2	Dbr = 1.7	D = 3.6	1.5mm² = 1.67								
	929975-7	CuFe2	3											
	929975-4	CuFe2	1											
	929975-1	CuNiSi	1											
	1-929974-4	CuNiSi	4											
	1-929974-0	CuFe2	2											
	929974-9	CuNiSi	3											
	929974-8	CuNiSi	2											
929974-7	CuNiSi	3												
929974-4	CuFe2	1												
929974-1	CuNiSi	1												
1-929973-0	CuFe2	2												
929973-9	CuNiSi	3												
929973-8	CuNiSi	2												
929973-7	CuNiSi	3												
929973-4	CuFe2	1												
929973-1	CuNiSi	1												

Version A (UNSEALED / ungedichtet)	Part No.	Material	Surface	DGB [mm²]	WIRE CRIMP	INSUL.-CRIMP	WIRE CRIMP HEIGHT CH	APPLICATION TOOL	HAND TOOL	A	B	C	ORDER-Nr.	ORDER-Nr.
													SINGLE SEAL	DEAD END PLUG
FLR	1-929972-0	CuFe2	2	>2.5-4.0	E = 4.3	H = 5.4	4.0mm² = 2.30	MQC-Applicator	734285-3	4	5.5	8.5		
	929972-9	CuNiSi	3	G = 4.5	K = 5.6	3.0mm² = 2.05	2-878483-2							
	929972-8	CuNiSi	2	Dbr = 2.4	D = 3.2									
	929972-7	CuFe2	3											
	929972-4	CuNiSi	1											
FLR	1-929971-0	CuFe2	2	>1.0-2.5	E = 3.6	H = 4.3	2.5mm² = 1.97	MQC-Applicator	734285-2	4	5.5	8.5		
	929971-9	CuNiSi	3	G = 3.8	K = 4.5	2.0mm² = 1.82	2-878482-2							
	929971-8	CuNiSi	2	Dbr = 1.7	D = 2.6	1.5mm² = 1.67								
	929971-7	CuFe2	3											
	929971-4	CuNiSi	1											
FLR	1-929970-0	CuFe2	2	>0.5-1.0	E = 2.6	H = 3.2	1.0mm² = 1.45	MQC-Applicator	734285-1	3	4.5	7		
	929970-9	CuNiSi	3	G = 2.8	K = 3.4	0.75mm² = 1.36	2-878481-2							
	929970-8	CuNiSi	2	Dbr = 1.1	D = 1.8	0.5mm² = 1.27								
	929970-7	CuFe2	3											
	929970-4	CuNiSi	1											
FLR	1-929969-0	CuFe2	2	0.2-0.4	E = 2.1	H = 2.5	0.35mm² = 1.11	MQC-Applicator	734285-1	3	4.5	7		
	929969-9	CuNiSi	3	G = 2.1	K = 2.5	0.25mm² = 1.07	2-878480-2							
	929969-8	CuNiSi	2	Dbr = 0.8	D = 1.4	0.2mm² = 1.05								
	929969-7	CuFe2	3											
	929969-4	CuNiSi	1											



ORDER-Nr.	ORDER-Nr.	MATERIAL	SURFACE	DGB [mm²]	WIRE CRIMP	INSUL.-CRIMP	WIRE CRIMP HEIGHT CH	APPLICATION TOOL	HAND TOOL	A	B	C	
STRIP FORM	LOOSE PIECE	Werkstoff	Oberfläche	[mm²]	Drahtcrimp	Isol.-Crimp	Drahtcrimp-Höhe CH	Anschlag-WKZ	Handzange				
					CRIMP DIMENSION (mm) Crimpabmessungen (mm)			EXTRACTION TOOL Ausdruckwerkzeug Nr.: 872070-1					

THIS DRAWING IS A CONTROLLED DOCUMENT. DIESE ZEICHNUNG IST EIN KONTROLLIERTES DOKUMENT.		DIN C. Goeltz 25-JUN-2001	TE Connectivity
		CIK J. Granzow 25-JUN-2001	
DIMENSIONS: DIMENSIONEN mm		TOLERANCES UNLESS OTHERWISE SPECIFIED: ALLE TOLERANZEN	NAME
0-FRE ± 0.15 mm 1-PL ± - 2-PL ± - 3-PL ± - 4-PL ± - ANGLES / WINKEL ± 1° FINISH / OBERFLÄCHE/FARBE SEE TABLE		PRODUCT SPEC 108-18027 APPLICATION SPEC 114-18020	DIA. 2.5MM SOCKET CONTACT DIA 2.5mm Buchsenkontakt
MATERIAL SEE TABLE		WEIGHT	RESTRICTED TO
		SCALE 5:1	REV A6

X-ON Electronics

Largest Supplier of Electrical and Electronic Components

Click to view similar products for [Automotive Connectors](#) category:

Click to view products by [TE Connectivity](#) manufacturer:

Other Similar products are found below :

[003-018-000](#) [60403001](#) [60993906-B](#) [M902-2131](#) [M902-2161](#) [72.330.1035.1](#) [73.353.4028.0](#) [F119300-B](#) [F166900](#) [F258300-B](#) [F358300-B](#)
[F407400](#) [F444110](#) [F487000](#) [F509500B-B](#) [827153-1](#) [8N1515-32-24P](#) [9-1326729-8](#) [925474-1](#) [928905-1](#) [964562-4](#) [968782-1](#) [GT17SA-8DS-](#)
[HU](#) [98891-1012](#) [98947-1016](#) [12004147](#) [12004475-L](#) [12010290](#) [12010309-B](#) [12015454](#) [12020219-B](#) [12020308](#) [12041318-B](#) [12052225-L](#)
[12052466](#) [12059125](#) [12064869](#) [12004327-B](#) [12010503-B](#) [12015308](#) [12015384](#) [12015909](#) [1-21030-1](#) [12041254](#) [12041318](#) [12047946-B](#)
[12047957](#) [12047957-L](#) [12059473](#) [12066261](#)