

LOC	DIST	REV	DATE	BY	CHK
A1	-	M9	14APR2011	RK	HMR
		M10	01JUN2011	Jrs.	Merz
		M11	17JUN2016	JJH	MC

1 PRE TINNED
vorverzinkt 1-2 µm

2 FINISH: ELECTROPLATED SILVER
Oberfläche: galvanisch versilbert

ZONE "A": MIN 1-3 µm Ag
min 1-3 µm Ag

ZONE "B": MIN 1-3 µm ELECTROPLATED SN
min 1-3 µm galvanisch Sn

REST: SILVER OR TIN ALLOWED. IN TRANSITION AREAS
OVERLAPPING LAYER OR PLAIN SURFACES ARE NOT ALLOWED.
Silber oder Zinn erlaubt. Im Übergangsbereich sind keine
überlappenden Schichten oder blanke Stellen erlaubt.

3 PLAIN
blank

4 FINISH: ROLL-CLAD GOLD
Oberfläche: walzplattiert Gold

ZONE "A": MIN 1.2 µm AuNi5 OVER 10±2 µm Ni INTERFACE LAYER
min 1.2 µm AuNi5 ueber 10±2 µm Zwischenschicht

REST: MIN. 1-2 µm ELECTROPLATED Sn
min. 1-2 µm galvanisch Sn

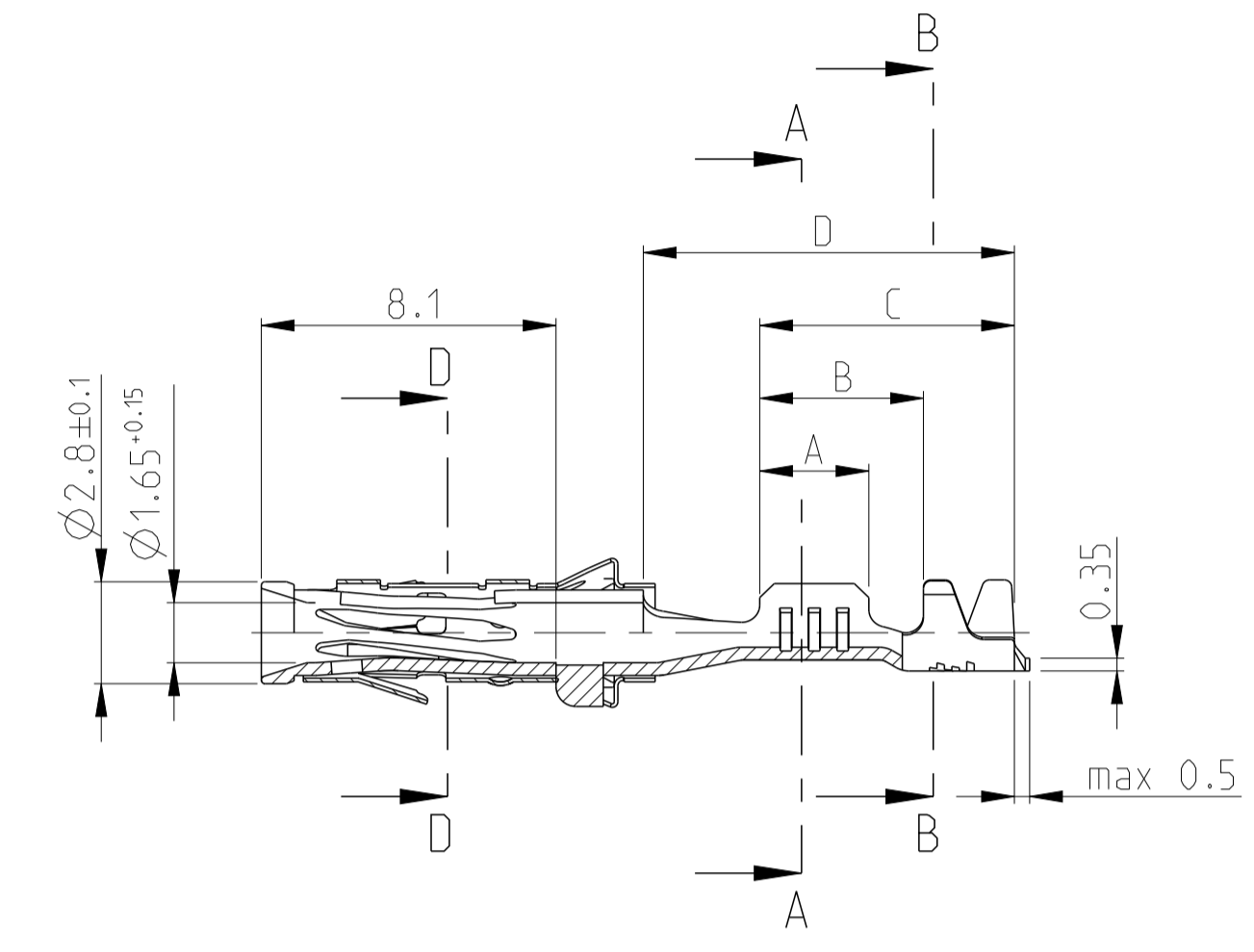
5 FINISH: ELECTROPLATED GOLD
Oberfläche: galvanisch vergoldet

ZONE "A": MIN 0.8 µm ELECTROPLATED Au OVER MIN 1.3 µm ELECTROPLATED Ni LAYER
AT CONTACT AREA
min 0.8 µm galvanisch Au ueber min 1.3 µm galvanisch Ni Zwischenschicht
im Kontaktbereich

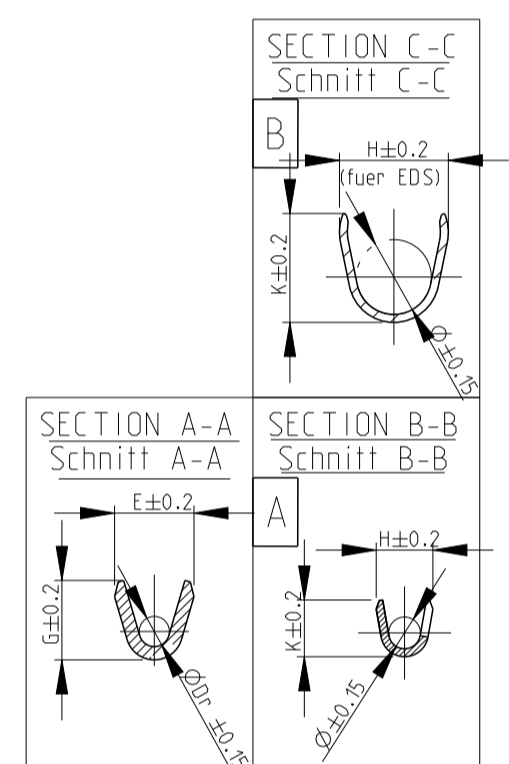
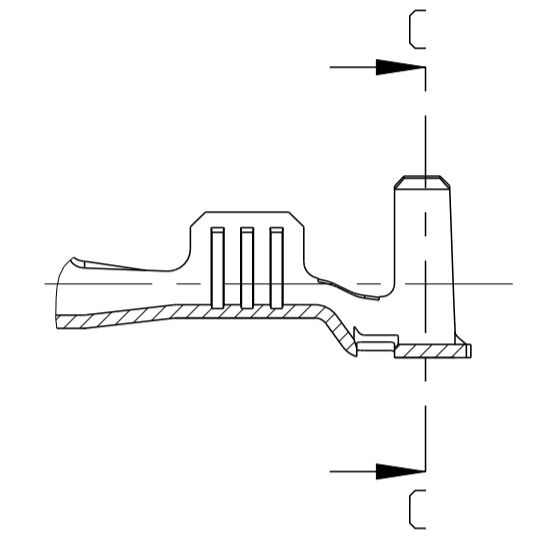
ZONE "B": MIN 1-2 µm ELECTROPLATED Sn OVER MIN 0.05 µm ELECTROPLATED Ni LAYER
min 1-2 µm galvanisch Sn ueber min 0.05 µm galvanisch Ni Zwischenschicht

REST: Au, Sn OR Ni SURFACE. NO PLAIN SURFACES ALLOWED.
Au, Sn ober Ni Oberfläche. Keine blanken Stellen erlaubt.

VERSION A
(UNSEALED / ungedichtet)



VERSION B
(SINGLE WIRE SEAL-SYSTEM /
Einzel-Dichtungs-System)
DGB 0.5 - 2.5 mm

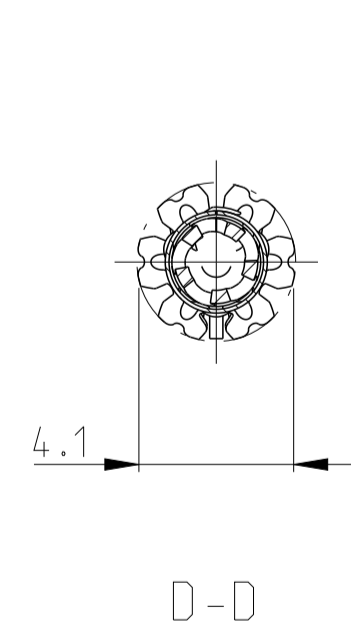
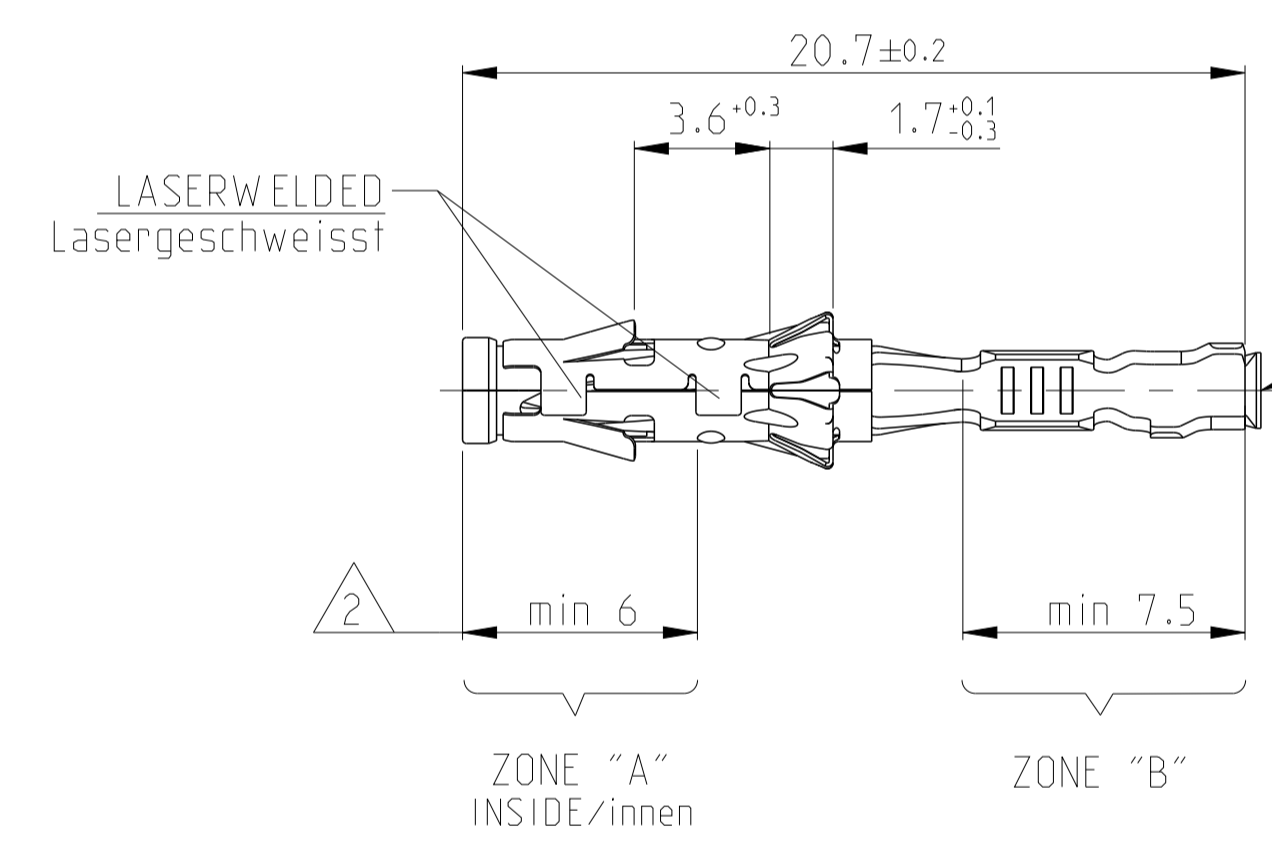


ORDER-No.
SINGLE SEAL
Einzeldichtung

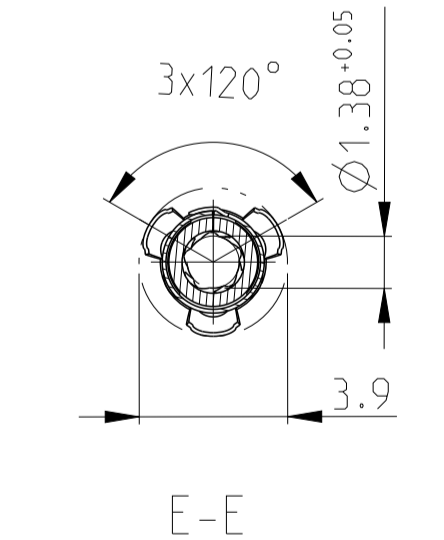
ORDER-No.
DEAD END PLUG
Blindstopfen

M11	Part No.	Material	Surface	DGB	ISOL. Ø	WIRE CRIMP	INSUL.-CRIMP	Dimensions				ORDER-No.	ORDER-No.
								A	B	C	D		
Version B (SINGLE WIRE SEAL-SYSTEM / Einzel-Dichtungs-System)	1-929990-0	CuNi18Zn20	3	>1.0-2.5 FLR	2.2-3.0	E=3.6 G=3.8 Ø _{Dr} =1.7	H=5.0 K=5.0 Ø=3.6	4	7.2	8.7	10.4	828905-1	828922-1
	929990-7	CuNiSi	2										
	929990-4 SUPERSEDED BY 929990-1	CuFe2	1										
	929990-3	CuNiSi	4										
	929990-1	CuNiSi	1										
Version B (SINGLE WIRE SEAL-SYSTEM / Einzel-Dichtungs-System)	1-929989-0	CuNi18Zn20	3	0.5-1.0 FLR	1.2-2.1	E=2.6 G=2.8 Ø _{Dr} =1.1	H=4.8 K=4.8 Ø=3.2	3	5.4	7	10.2	828904-1	828922-1
	929989-8	CuNiSi	5										
	929989-7	CuNiSi	2										
	929989-4	CuFe2	1										
	929989-1	CuNiSi	1										
Version B (SINGLE WIRE SEAL-SYSTEM / Einzel-Dichtungs-System)	929988-4	CuFe2	1	0.2-0.4 FLR	1.2-2.1	E=2.1 G=2.1 Ø _{Dr} =0.8	H=4.7 K=4.5 Ø=3.2	3	5.4	7	10.2	828904-1	828922-1
	929988-2	CuNiSi	2										
	929988-1	CuNiSi	1										
	929987-4	CuFe2	1										

Version A (UNSEALED / ungedichtet)	Part No.	Material	Surface	DGB	ISOL. Ø	WIRE CRIMP	INSUL.-CRIMP	Dimensions			
								A	B	C	D
Version A (UNSEALED / ungedichtet)	929987-4	CuFe2	1	>1.0-2.5 FLR	1.9-3.0	E=3.6 G=3.8 Ø _{Dr} =1.7	H=4.3 K=4.5 Ø=2.6	4	5.5	8.5	10.2
	929987-1	CuNiSi	1								
	929986-4	CuFe2	1	0.5-1.0 FLR	1.4-2.1	E=2.6 G=2.8 Ø _{Dr} =1.1	H=3.2 K=3.4 Ø=1.8	3	4.5	7	10.2
Version A (UNSEALED / ungedichtet)	929986-1	CuNiSi	1								
	929985-4	CuFe2	1	0.2-0.4 FLR	1.15-1.6	E=2.1 G=2.1 Ø _{Dr} =0.8	H=2.5 K=2.5 Ø=1.4	3	4.5	7	10.2
Version A (UNSEALED / ungedichtet)	929985-1	CuNiSi	1								
	929985-1	CuNiSi	1								



CUT-OFF FOR STRIP FORM AND LP-PARTS
Trennstelle fuer Bandware und LP Teile



THIS DRAWING IS A CONTROLLED DOCUMENT.		OWN: Abraham, G. 17OCT2003	TE Connectivity	
DIMENSIONS: MASSENMEN (mm)		CHK: Goepfel, C. 18OCT2003	NAME: Bleicher, M. 22OCT2003	
TOLERANCES UNLESS OTHERWISE SPECIFIED: ALGEMEINTOLERANZ		PRODUCT SPEC: 108-18028		
APPLICATION SPEC: VERARBEITUNGSPEC. 114-18040		SCALE: 5:1		
MATERIAL: -		WEIGHT: 0.4g		
FINISH: -		CUSTOMER DRAWING		
RESTRICTED TO: NUR FÜR: -		SHEET: 1 OF 1		

X-ON Electronics

Largest Supplier of Electrical and Electronic Components

Click to view similar products for [Circular DIN Connectors](#) category:

Click to view products by [TE Connectivity](#) manufacturer:

Other Similar products are found below :

[CTV06RQF-25-8SA-LC](#) [CTV06RQF-25-8S-LC](#) [CTV06RQW-25-8SB-LC](#) [CTV06RW-25-20P](#) [CTV06RW-25-20PA](#) [CTV06RW-25-20PB](#)
[CTV06RW-25-20PE-LC](#) [CTV06RW-25-20SB](#) [CTV06RW-25-20SE](#) [CTV07RW-17-8S\(506\)](#) [CTVP00RW-19-32S\(506\)](#) [CTVP00RW-9-35S\(506\)](#) [M83723/71R20416](#) [M83723/71R22196](#) [M83723/71W2039N](#) [M83723/71W24196](#) [M83723/71W2419N](#) [M83723/72A1404N-LC](#)
[M83723/72R1203N](#) [M83723/72W20418](#) [M83723/72W22126](#) [M83723/72W22556](#) [M83723/72W2419N](#) [M83723/72W2461N](#)
[M83723/73R2028N](#) [M83723/73R2039N](#) [M83723/73W1412N](#) [M83723/73W2039N](#) [M83723/74R1624N](#) [M83723/74R1808N](#)
[M83723/74R2212N](#) [M83723/74W1203N](#) [M83723/74W1412N](#) [M83723/74W20416](#) [M83723/74W2041N](#) [M83723/75R10058](#)
[M83723/75W2232N](#) [M83723/76R14157](#) [M83723/76R20256](#) [M83723/76W1808N](#) [M83723/76W2016N](#) [M83723/76W2461N](#)
[M83723/77W2016N](#) [M83723/78R22327](#) [M83723/78W2212N](#) [M83723/78W22556](#) [M85049/50-5F](#) [D38999/20FF11AC](#) [D38999/20FJ20BB](#)
[D38999/20FJ20SC](#)