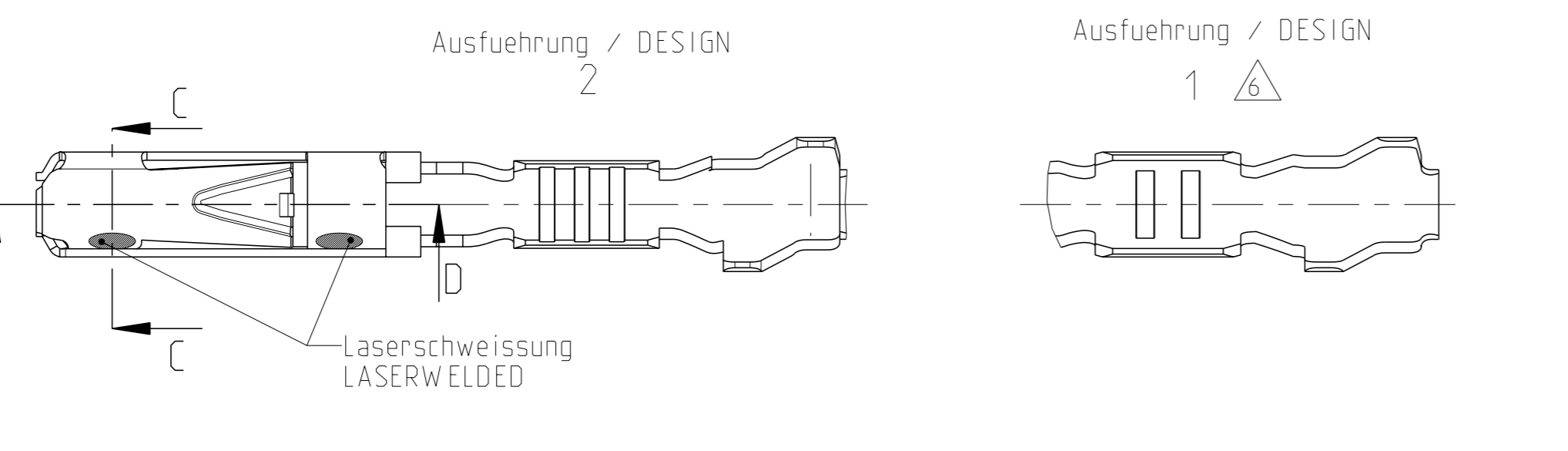
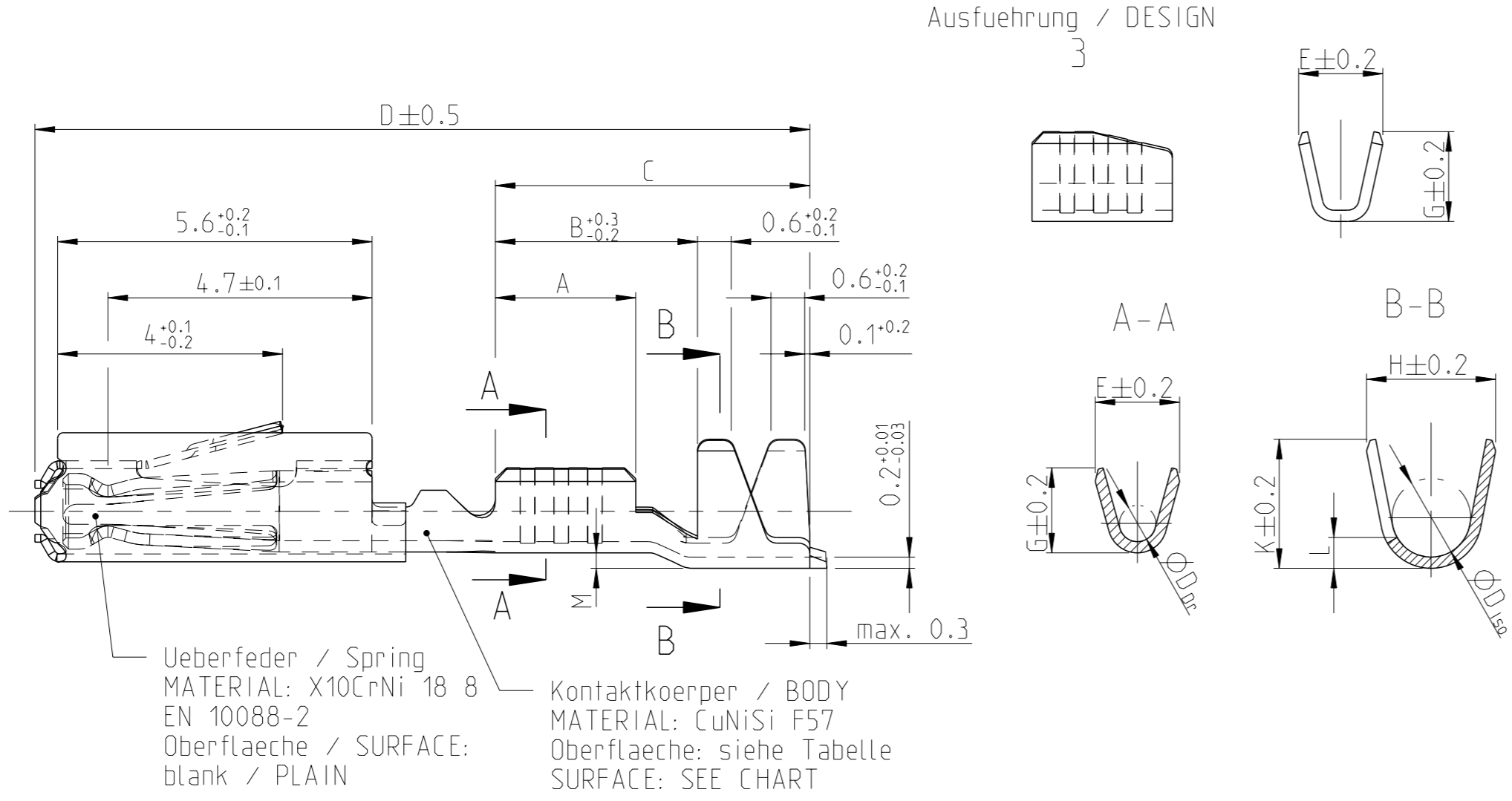
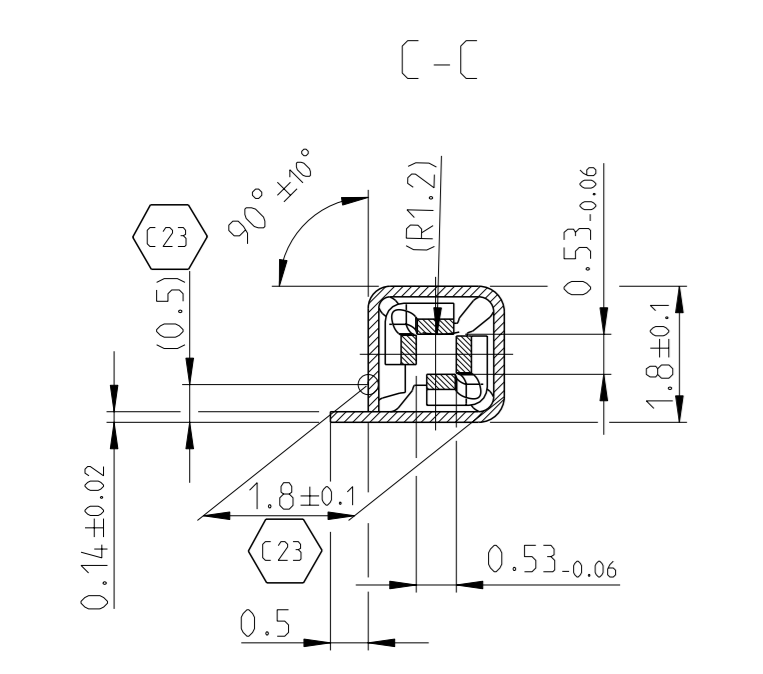
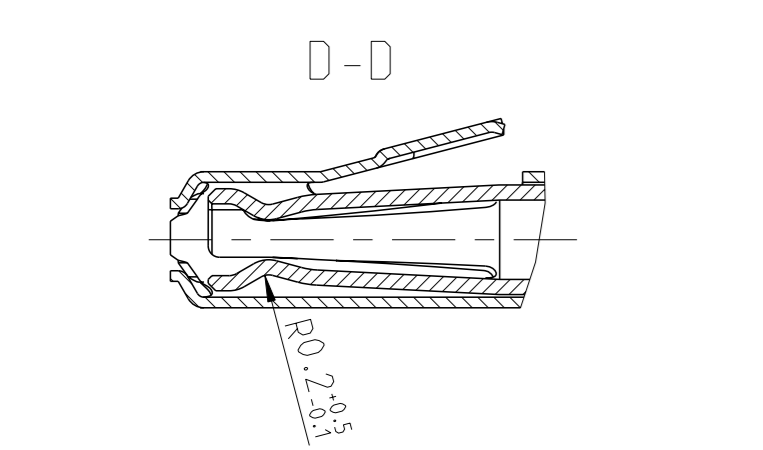
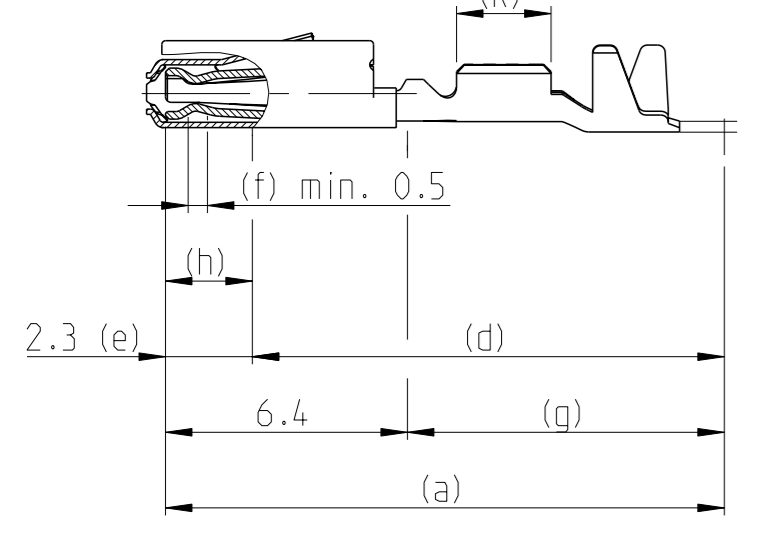


Normale Anwendung USUAL APPLICATION



Oberflaeche / FINISH

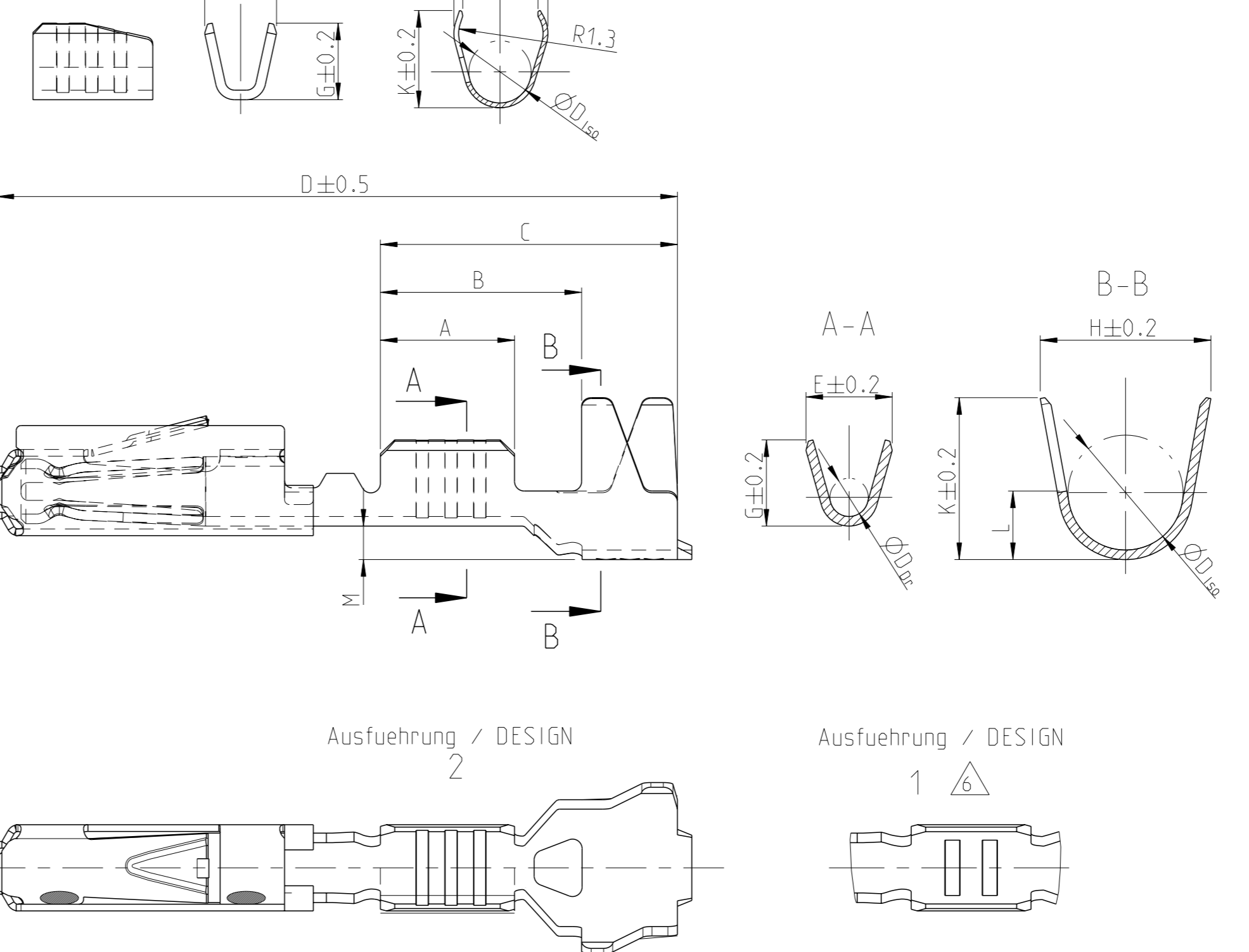


Sn: verzinnete Ausuehrung
TINNED
(a) Kontaktkoerper: 0.8 - 2 µm Sn
BODY: 0.8 - 2 µm Sn

Ag: versilbert
SILVER
(e) min. 0.3 µm Ag
(f) min. 2.8 µm Ag INSIDE
min. 2.8 µm Ag innen
(g) min. 0.2 µm Sn
(k) min. 0.8 - 2 µm Sn

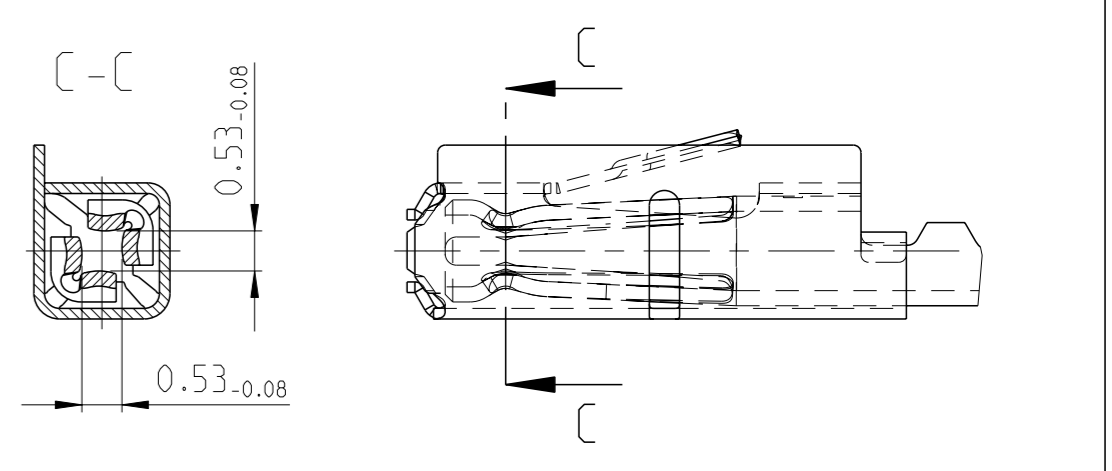
Au (galvanisch): galvanisch vergoldet
GOLD-ELECTROPLATED
(d) 0.05-1 µm Ni, beidseitig
0.05-1 µm Ni, ON BOTH SIDES
(e) 1-3 µm Ni, beidseitig
1-3 µm Ni, ON BOTH SIDES
(f) min. 1.8 µm Au ueber (e), innen
MIN. 1.8 µm Au OVER (e), INSIDE
(g) min. 0.2 µm Sn ueber (d), beidseitig
MIN. 0.2 µm Sn OVER (d), ON BOTH SIDES
(h) Au galvanisch auslaufend
Au OVERPLATING
(k) min. 0.8 - 2.0 µm Sn

Einzeldichtungssystem SINGLE WIRE SEAL SYSTEM

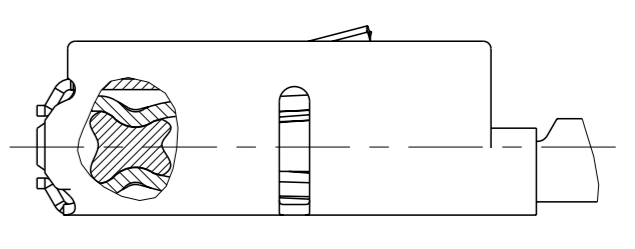


| REV. | DATE | DESCRIPTION | DATE | OWN | APVD |
|------|-----------|---|-----------|------|------|
| C20 | 29NOV2018 | New PN 1355717-6 added | 29NOV2018 | FRAN | BERG |
| C21 | 09JAN2019 | NOTE 7 moved to right position 0.13/0.17 | 09JAN2019 | MAH. | BRUN |
| C22 | 10JAN2019 | Tolerance changed to +/-0.1; surface corrected | 10JAN2019 | MAH. | BERG |
| C23 | 30APR2019 | Definition of a measurement point for contact height. | 30APR2019 | FRAN | BERG |

versilberte/vergoldete Ausuehrung Silver/GOLD VERSION



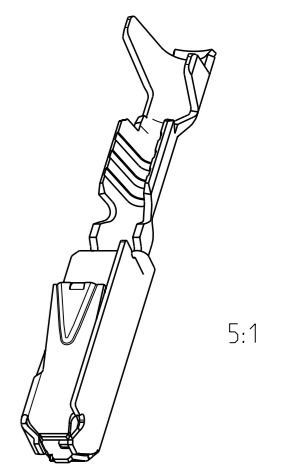
GEL VERSION



- Bemerkungen
- Datumscode (Woche/Jahr z.B. KW 38/Jahr2009) und TE-Revision (z.B. Rev.A) DATE CODE (WEEK/YEAR E.G. WEEK NUMBER 38/YEAR2009) AND TE REVISION (E.G. REV. A)
 - Passend zu Stiftkontakt siehe Zeichnung 929453 SUITABLE FOR PIN CONTACT SEE DRAWING 929453
 - Einzelheiten der Ausuehrung bleiben dem Hersteller ueberlassen DETAILS OF DESIGN ARE LEFT TO MANUFACTURER
 - Nur fuer FLR-Leitung nach DIN 72551 Teil 6 FOR FLR-CONDUCTOR ACCORDING TO DIN 72551-6 ONLY
- 5 -
-
- 6 nicht fuer Neuanwendung NOT FOR NEW APPLICATION
- 7 zugestaerkte Leitung nach LV 112-4 REINFORCED WIRE ACCORDING LV 112-4
- 8 Bei doppelt fallenden Werkzeugen wird die erste Ueberfeder mit einer Kennzeichnung "-" versehen WITH DOUBLE OUT DIES THE FIRST SPRING WILL BE PROVIDED WITH AN INDICATION "-"

| Bestell-Nr. Ausuehrung ORDER NO. DESIGN 2 | Bestell-Nr. Ausuehrung ORDER NO. DESIGN 3 | Rev. | Bestell-Nr. Ausuehrung ORDER NO. DESIGN 1 | Rev. | VERSION | DGB Wire Size Range mm ² | Oberflaeche SURFACE | Laenge LENGTH mm | Drahtcrimp WIRE CRIMP mm | Iso-crimp INSU-CRIMP mm | Gewicht WEIGHT g | Vergaerbeitung Spez. APPLICATION SPEC. | DGB Wire Size Range mm ² | Isolations Ø INSULATING DIA. mm | fuer Kammer Ø3.45 FOR CAVITY DIA. 3.45 mm | Blindstopfen RUBBER PLUG | fuer Kammer Ø4 FOR CAVITY DIA. 4 mm | Blindstopfen RUBBER PLUG | | | | | | | |
|---|---|------|---|------|--|-------------------------------------|---------------------|--|--|---|------------------|--|-------------------------------------|---------------------------------|---|--------------------------|-------------------------------------|--------------------------|-------------|-----------|----------------------------|--------------------------|--|--|--|
| 6-965906-5 | | E | 1-965906-5 | D | Einzeldichtungssystem SINGLE WIRE SEAL SYSTEM | 0.50-0.75 | Au-Gel | A = 2.8 B = 4.2 C = 6.2 D = 14.3 M = 0.7 | E = 2 G = 2.1 D _{Dr} = 1 | H = 3.5 K = 3.4 L = 1.5 D _{ISO} = 2.4 | 0.13 | 114-18025 | 0.75 | 1.4-1.9 | 967067-1 gruen GREEN | 967056-1 blau / BLUE | 963142-1 schwarz BLACK | 967056-1 blau / BLUE | | | | | | | |
| 5-965906-6 | | D | 965906-6 | C | | | Ag | A = 2.5 B = 3.9 C = 5.9 D = 14 M = 0.7 | E = 1.8 G = 1.8 D _{Dr} = 0.8 | H = 3.5 K = 3.4 L = 1.5 D _{ISO} = 2.4 | | | | | | | | | 0.35 | 0.9-1.4 | 967067-2 gelb YELLOW | 963142-2 grau GREY | | | |
| 5-965906-5 | | E | 965906-5 | D | | | Au | A = 2.5 B = 4.3 C = 6.2 D = 13.7 M = 0.6 | E = 1.5 G = 1.4 | H = 4 K = 4.1 N = 3.1 D _{ISO} = 2.6 | | | | | | | | | 0.13 | 0.85-1.25 | 967067-2 gelb YELLOW | 963142-2 grau GREY | | | |
| 5-965906-1 | | D | 965906-1 | C | | | Sn | | | | | | | | | | | | 0.17 | | | | | | |
| 5-962885-6 | | J | 962885-6 | H | normale Anwendung USUAL APPLICATION | 0.50-0.75 | Au-Gel | A = 2.8 B = 3.9 C = 5.6 D = 13.7 M = 0.2 | E = 2 G = 2.1 D _{Dr} = 1 | H = 2.7 K = 2.9 L = 0.7 D _{ISO} = 1.6 | 0.11 | 114-18021 | 0.50-0.75 | | | | | | | | | | | | |
| 5-962885-5 | | K | 962885-5 | J | | | Ag | A = 2.5 B = 3.6 C = 5.6 D = 13.7 M = 0.2 | E = 1.8 G = 1.8 D _{Dr} = 0.8 | H = 2.3 K = 2.3 L = 0.6 D _{ISO} = 1.4 | | | | | | | | | 0.25-0.35 | | | | | | |
| 5-962885-1 | | J | 962885-1 | H | | | Au | A = 2.5 B = 3.7 C = 5.4 D = 13.7 M = 0 | E = 1.5 G = 1.5 D _{Dr} = 0.65 | H = 2 K = 2 D _{ISO} = 1.1 | | | | | | | | | 0.13 / 0.17 | | | | | | |
| 2141826-6 | | A | | | | | Sn | | | | | | | | | | | | 0.08-0.22 | | | | | | |
| 6-963715-5 | | K | 1-963715-5 | J | | 0.50-0.75 | Au-Gel | A = 2.8 B = 3.9 C = 5.6 D = 13.7 M = 0.2 | E = 2 G = 2.1 D _{Dr} = 1 | H = 2.7 K = 2.9 L = 0.7 D _{ISO} = 1.6 | 0.11 | | 0.50-0.75 | | | | | | | | | | | | |
| 5-963715-6 | | J | 963715-6 | H | | | Ag | A = 2.5 B = 3.6 C = 5.6 D = 13.7 M = 0.2 | E = 1.8 G = 1.8 D _{Dr} = 0.8 | H = 2.3 K = 2.3 L = 0.6 D _{ISO} = 1.4 | | | | | | | | | | | | | | | |
| 5-963715-5 | | K | 963715-5 | J | | | Au | A = 2.5 B = 3.7 C = 5.4 D = 13.7 M = 0 | E = 1.5 G = 1.5 D _{Dr} = 0.65 | H = 2 K = 2 D _{ISO} = 1.1 | | | | | | | | | | | | | | | |
| 5-963715-1 | | J | 963715-1 | H | | | Sn | | | | | | | | | | | | | | | | | | |
| 6-928999-5 | | T | 1-928999-5 | S | | 0.50-0.75 | Au-Gel | A = 2.8 B = 3.9 C = 5.6 D = 13.7 M = 0.2 | E = 2 G = 2.1 D _{Dr} = 1 | H = 2.7 K = 2.9 L = 0.7 D _{ISO} = 1.6 | 0.11 | | 0.50-0.75 | | | | | | | | | | | | |
| 5-928999-6 | | S | 928999-6 | R | | | Ag | A = 2.5 B = 3.6 C = 5.6 D = 13.7 M = 0.2 | E = 1.8 G = 1.8 D _{Dr} = 0.8 | H = 2.3 K = 2.3 L = 0.6 D _{ISO} = 1.4 | | | | | | | | | | | | | | | |
| 5-928999-5 | | T | 928999-5 | S | | | Au | A = 2.5 B = 3.7 C = 5.4 D = 13.7 M = 0 | E = 1.5 G = 1.5 D _{Dr} = 0.65 | H = 2 K = 2 D _{ISO} = 1.1 | | | | | | | | | | | | | | | |
| 5-928999-1 | | S | 928999-1 | R | | | Sn | | | | | | | | | | | | | | | | | | |

| | | | | |
|---|--|---------------------------|---|------------------|
| THIS DRAWING IS A CONTROLLED DOCUMENT. | | OWN S. Garcia 05JAN1999 | TE Connectivity | |
| DIMENSIONS: mm | | CHK R. Jetter 05JAN1999 | NAME | |
| TOLERANCES UNLESS OTHERWISE SPECIFIED: ±0.2 | | APVD M. Reicher 13AUG2003 | MOS | |
| MATERIAL: - | | FINISH: - | Tabellenzeichnung Buchsenkontakt TABLE SOCKET CONTACT | |
| 114-18021 / 114-18025 | | WEIGHT: - | SIZE: A1 | RESTRICTED TO: - |
| CUSTUMER DRAWING | | SCALE: 10:1 | SHEET: 1 of 1 | REV: C23 |



X-ON Electronics

Largest Supplier of Electrical and Electronic Components

Click to view similar products for [Automotive Connectors](#) category:

Click to view products by [TE Connectivity](#) manufacturer:

Other Similar products are found below :

[003-018-000](#) [600858](#) [60403001](#) [60993906-B](#) [60993913-B](#) [629515004020001](#) [M902-2131](#) [M902-2161](#) [M902-2344](#) [72.330.1035.1](#)
[73.353.4028.0](#) [F118010](#) [F119300-B](#) [F132210](#) [F132210-B](#) [F166900](#) [F180100](#) [F258300](#) [F258300-B](#) [F294300-B](#) [F339100](#) [F339700](#) [F358300-](#)
[B](#) [F374110](#) [F407400](#) [F412210](#) [F427600](#) [F444110](#) [F487000](#) [F495100-B](#) [F500900-B](#) [F509500B-B](#) [770444-1](#) [776880-1](#) [827153-1](#) [881735-1](#)
[8N1515-32-24P](#) [9-1326727-8](#) [9-1326729-8](#) [925467-1](#) [925474-1](#) [928905-1](#) [936398-2](#) [964562-1](#) [964562-4](#) [964731-2](#) [965051-1](#) [968782-1](#)
[GT17SA-8DS-HU](#) [GT17VS-10DP-5.2CF](#)