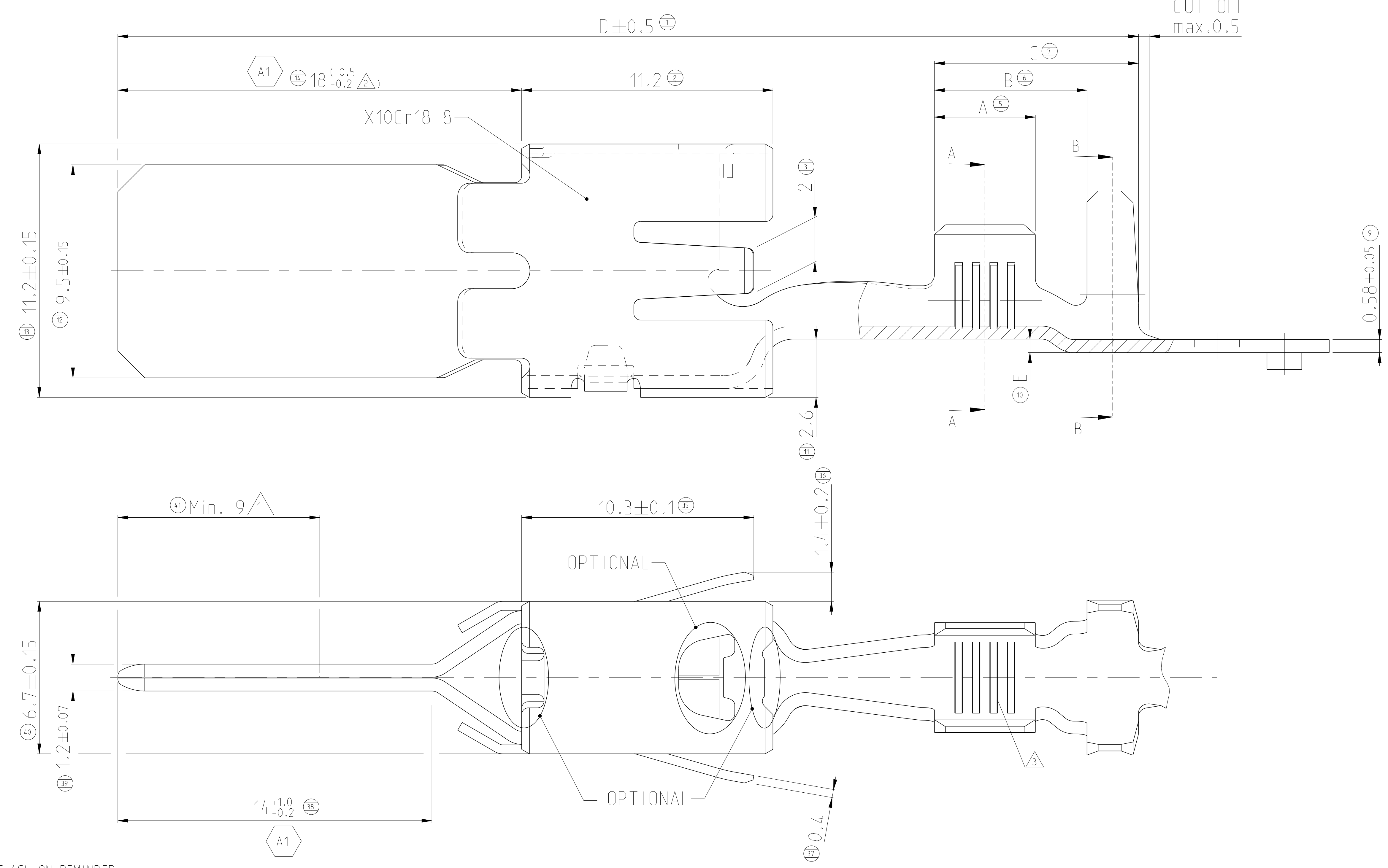
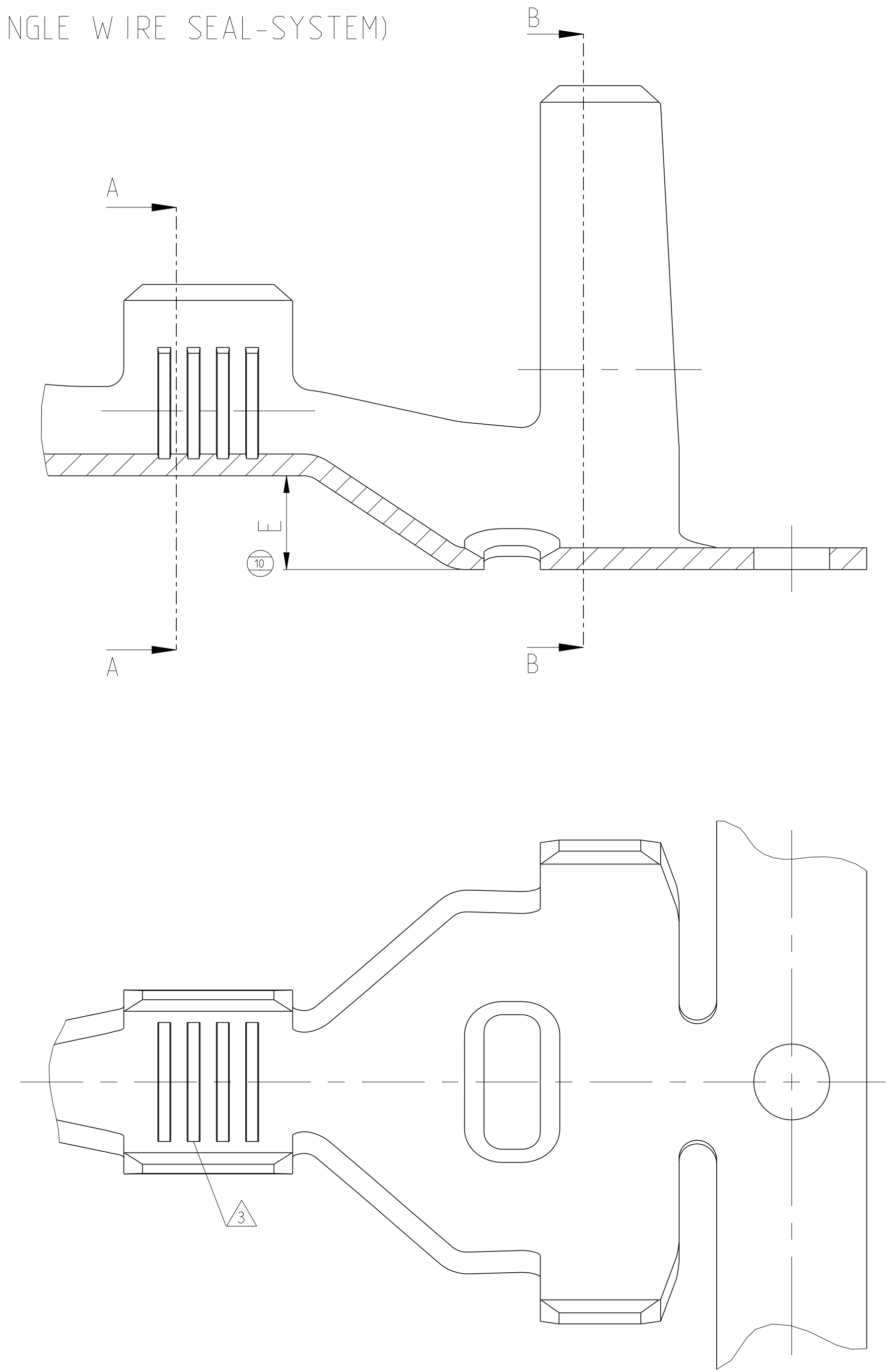


PROJECT No.		REVISIONS			
NO.	DATE	DESCRIPTION	DATE	BY	APPD.
A		New drawing	04.08.2016	JB, JH	MP
A1		ECR-16-015100	25.02.2016	GH	MP

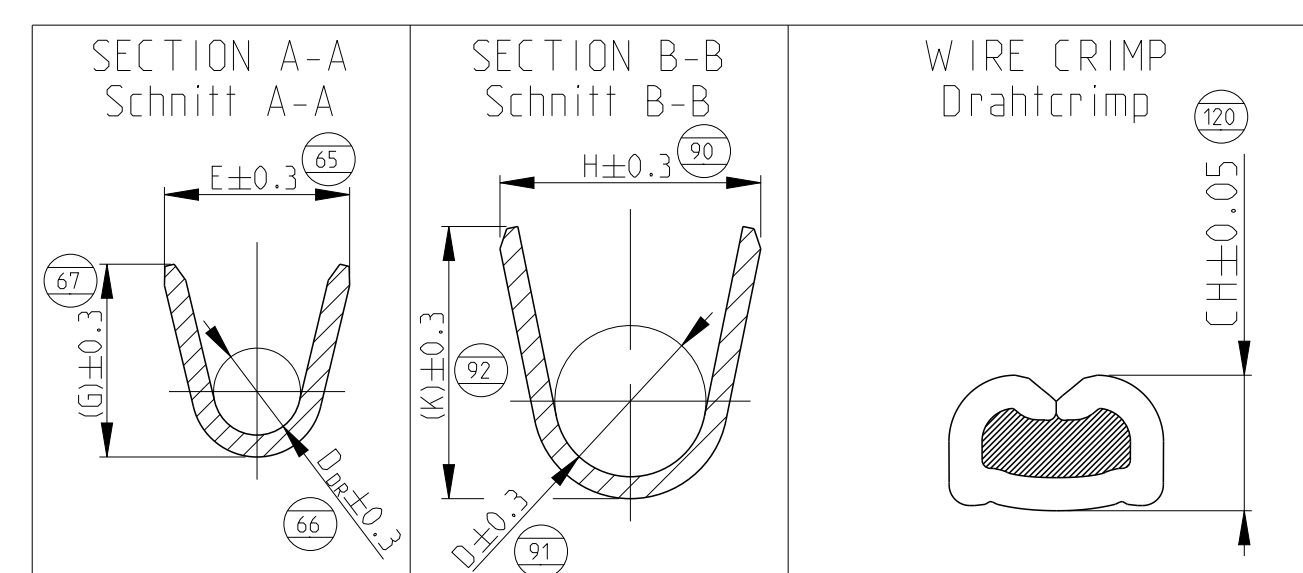
VERSION A
(UNSEALED)



VERSION B
(SINGLE WIRE SEAL-SYSTEM)

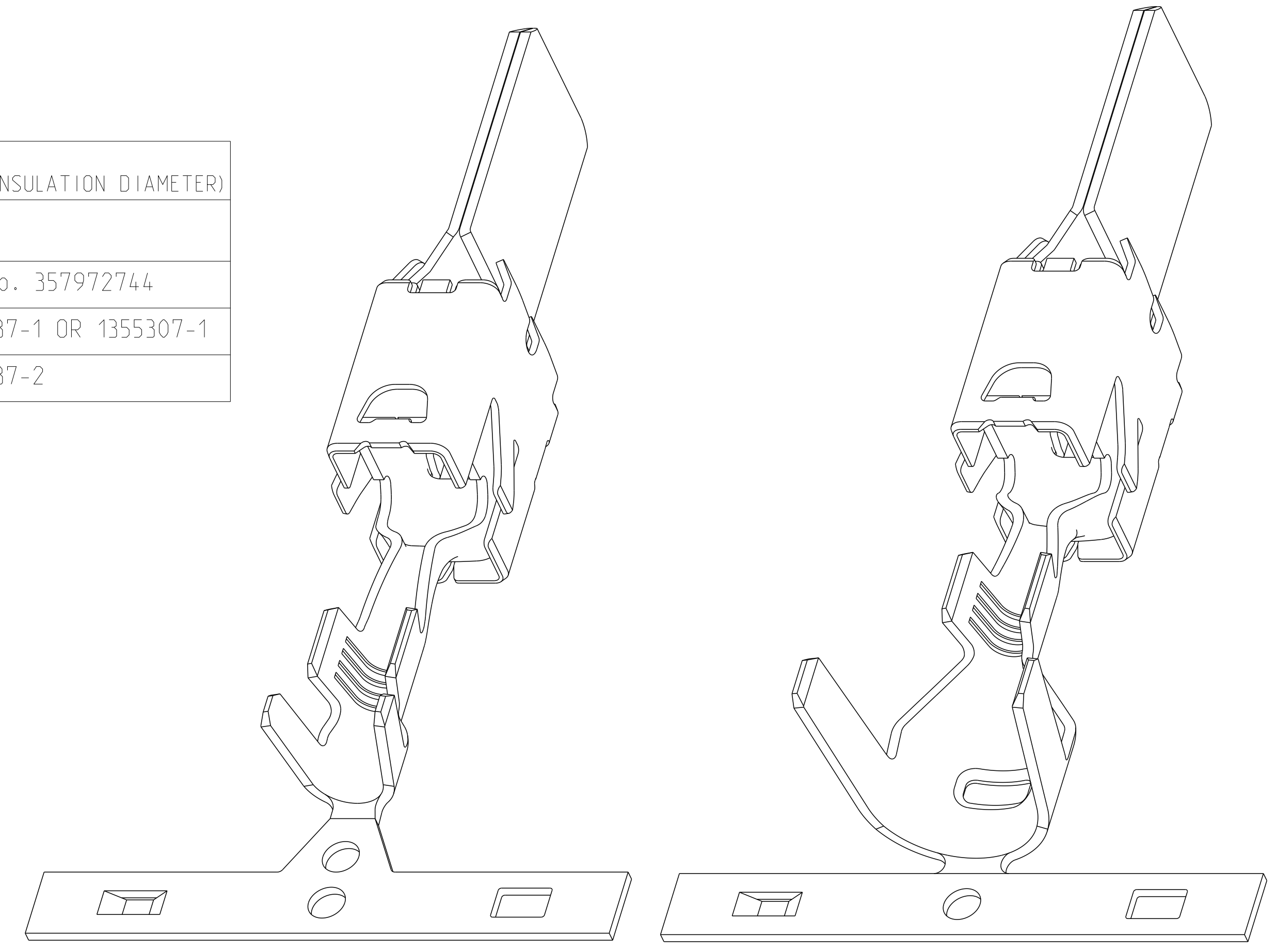


1 MIN. 3µm Ag IN LOCALIZED FUNCTIONAL AREA, Ag FLASH ON REMINDER.
 A1 2 For 963772-x and 963774-x only



VERSION	TE PN	REV.	MATERIAL	SURFACE	DGB	INSULATION	STRIP FORM		WIRE CRIMP	APPLICATION TOOL	HAND TOOL	EXTRACTION TOOL	A	B	C	D	E ± 0.05	Number of serrations	
							Bandware	Bandware											WIRE CRIMP
VERSION B SEAL / Einzeldichtungssystem	963774-1	C	CuSn4	PRE -TINNED	6 - 10mm ²	Ø4.6-6.6	E = 7.0 G = 7.3 D _{DR} = 3.8	H = 12.9 K = 12.9 D = 9.5	6mm ² = 2.98 10mm ² = 3.60	MQC APPLICATOR 2-878735-2 (ALTERNATIVE APPLICATOR 1852862)	-	EXTRACTION TOOL / Ausdrueckwerkzeug No.: 1-1579007-7	6.3	11.9	15.6	4.9	2.5	5	
	963774-2	C	CuFe2P	PRE -TINNED		A1													
	963772-1	C	CuSn4	PRE -TINNED	4 - 6mm ²	Ø4.0-5.2	E = 5.6 G = 5.9 D _{DR} = 2.9	H = 12.9 K = 12.9 D = 9.5	4mm ² = 2.55 6mm ² = 2.90	MQC APPLICATOR 2-878734-2	-	EXTRACTION TOOL / Ausdrueckwerkzeug No.: 1-1579007-7	5.5	11.1	14.8	4.9	2.5	4	
	963772-2	C	CuFe2P	PRE -TINNED															
	963772-3	C	CuSn4	SILVER PLATED															
	963770-1	C	CuSn4	PRE -TINNED	2.5 - 4mm ²	Ø3.3-4.5	E = 4.9 G = 5.1 D _{DR} = 2.3	H = 12.9 K = 12.9 D = 9.5	2.5mm ² = 2.41 4mm ² = 2.74	MQC APPLICATOR 2-878980-2	-	EXTRACTION TOOL / Ausdrueckwerkzeug No.: 1-1579007-7	4.5	11.1	14.8	4.9	2.5	4	
VERSION A UNSEALED / ungedichtet	963768-1	C	CuSn4	PRE -TINNED	6 - 10mm ²	Ø4.6 - 6.6 FLK	E = 7.0 G = 7.3 D _{DR} = 3.8	H = 9.2 K = 9.6 D = 5.9	6mm ² = 2.98 6.5mm ² = 3.06 8.5mm ² = 3.37 10mm ² = 3.60	MQC APPLICATOR 2-878732-2 (ALTERNATIVE APPLICATOR 1855441)	734533-1 (Only for 10 mm ²)	EXTRACTION TOOL / Ausdrueckwerkzeug No.: 1-1579007-7	6.3	9	11.8	45.5	0.8	5	
	963768-2	C	CuFe2P	PRE -TINNED															
	963768-3	C	CuSn0.15	PRE -TINNED															
	963766-2	C	CuFe2P	PRE -TINNED	4 - 6mm ²	Ø4 - 5.2 FLK	E = 5.6 G = 5.9 D _{DR} = 2.9	H = 7.7 K = 8.0 D = 4.6	4mm ² = 2.55 5mm ² = 2.72 5.5mm ² = 2.81 6mm ² = 2.90	MQC APPLICATOR 2-878731-2	734532-1 (Only for 6 mm ²)	EXTRACTION TOOL / Ausdrueckwerkzeug No.: 1-1579007-7	5.5	7.8	10.1	45.5	0.6	4	
	963764-2	D	CuFe2P	PRE -TINNED	2.5 - 4mm ²	Ø3.3 - 4.5 FLK	E = 4.9 G = 5.1 D _{DR} = 2.3	H = 6.9 K = 7.2 D = 4	2.5mm ² = 2.41 3mm ² = 2.52 4mm ² = 2.74	MQC APPLICATOR 2-878979-2	734531-1	EXTRACTION TOOL / Ausdrueckwerkzeug No.: 1-1579007-7	4.5	6.8	9.1	45.5	0.6	4	
	963764-1	D	CuSn4	PRE -TINNED		A1													

SINGLE WIRE SEAL (SEAL SELECTION ACCORDING TO INSULATION DIAMETER)	
INSULATION DIAMETER (mm)	SEAL
4.0-4.5	VW No. 357972744
4.6-5.2	1355437-1 OR 1355307-1
5.8-6.6	1355437-2



THIS DRAWING IS A CONTROLLED DOCUMENT.		DATE: 04.08.2016	BY: Jagadeesh.J.	APPD: PaulLeak.Martin
DIMENSIONS:	UNIT: mm	TOLERANCES UNLESS OTHERWISE SPECIFIED:	SCALE: 1:1	PROJECT SPEC: 106-18047
MATERIAL:	FINISH:	WEIGHT:	SIZE: A0	Customer Drawing
CRIMP DIMENSION (mm) Crimpabmessungen (mm)		CRIMP AND EXTRACTION TOOLS		

X-ON Electronics

Largest Supplier of Electrical and Electronic Components

Click to view similar products for [Automotive Connectors](#) category:

Click to view products by [TE Connectivity](#) manufacturer:

Other Similar products are found below :

[003-018-000](#) [60403001](#) [60993906-B](#) [M902-2131](#) [M902-2161](#) [72.330.1035.1](#) [73.353.4028.0](#) [F119300-B](#) [F166900](#) [F258300-B](#) [F358300-B](#)
[F407400](#) [F444110](#) [F487000](#) [F509500B-B](#) [827153-1](#) [8N1515-32-24P](#) [9-1326729-8](#) [925474-1](#) [928905-1](#) [964562-4](#) [968782-1](#) [GT17SA-8DS-](#)
[HU](#) [98891-1012](#) [98947-1016](#) [12004147](#) [12004475-L](#) [12010290](#) [12010309-B](#) [12015454](#) [12020219-B](#) [12020308](#) [12041318-B](#) [12052225-L](#)
[12052466](#) [12059125](#) [12064869](#) [12004327-B](#) [12010503-B](#) [12015308](#) [12015384](#) [12015909](#) [1-21030-1](#) [12041254](#) [12041318](#) [12047946-B](#)
[12047957](#) [12047957-L](#) [12059473](#) [12066261](#)