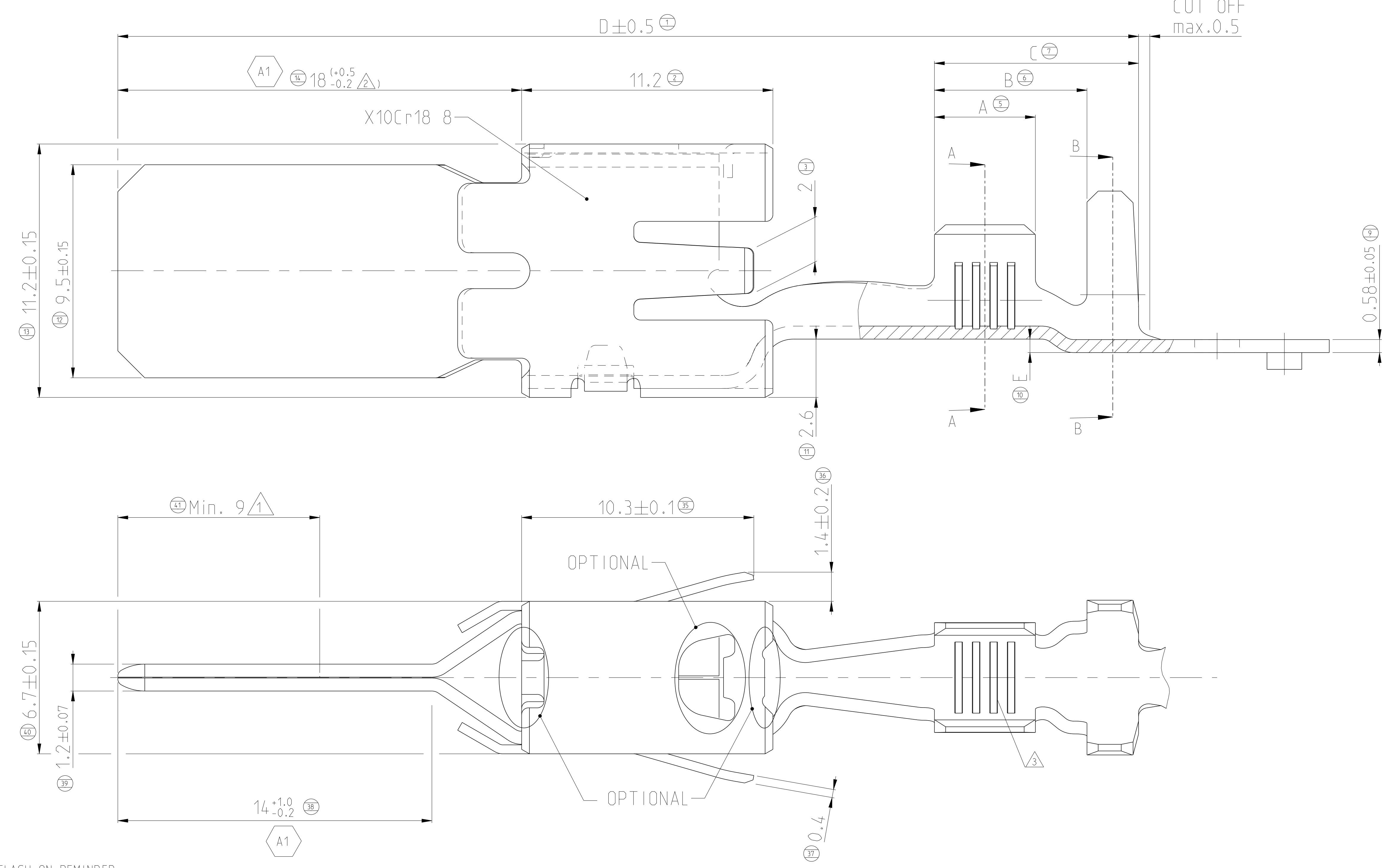
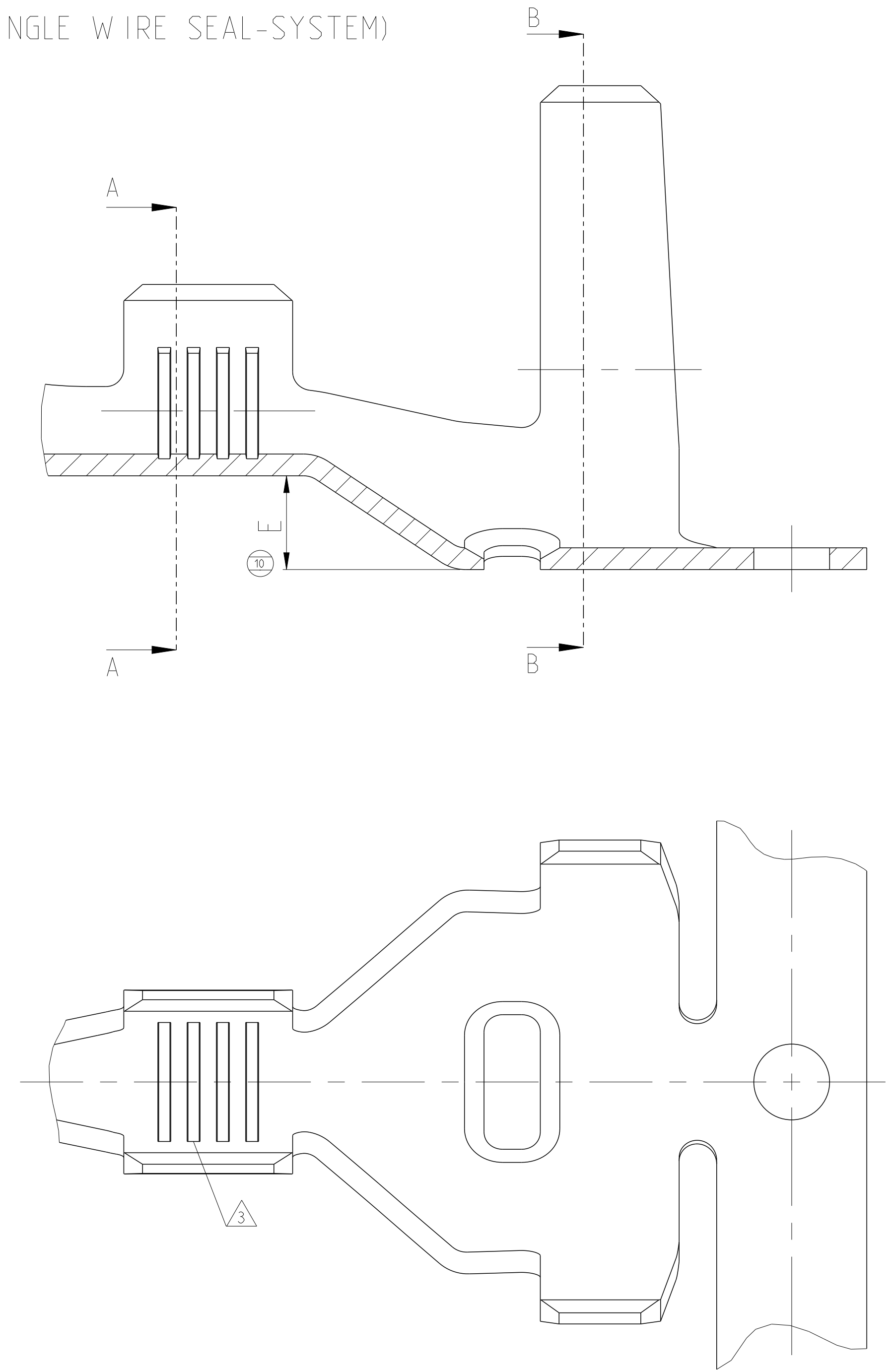


PROJECT No.		REVISIONS			
NO.	DATE	DESCRIPTION	DATE	BY	APPD.
A		New drawing	04.08.2016	JB, JH	MP
A1		ECR-16-015100	25.02.2016	GH	MP

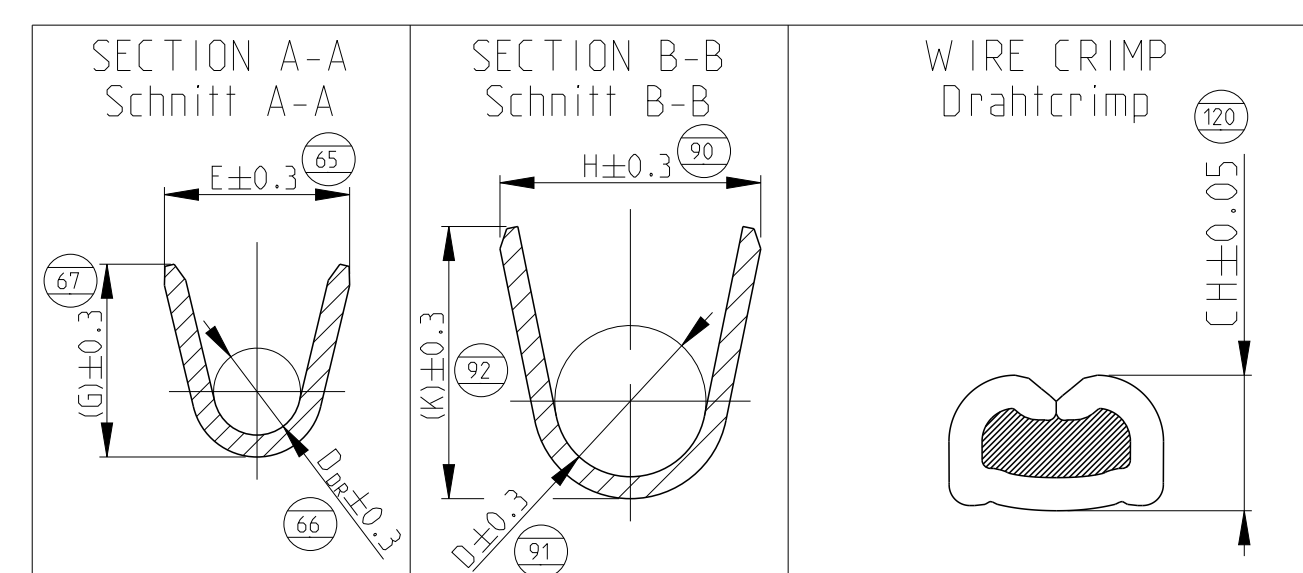
VERSION A  
(UNSEALED)



VERSION B  
(SINGLE WIRE SEAL-SYSTEM)

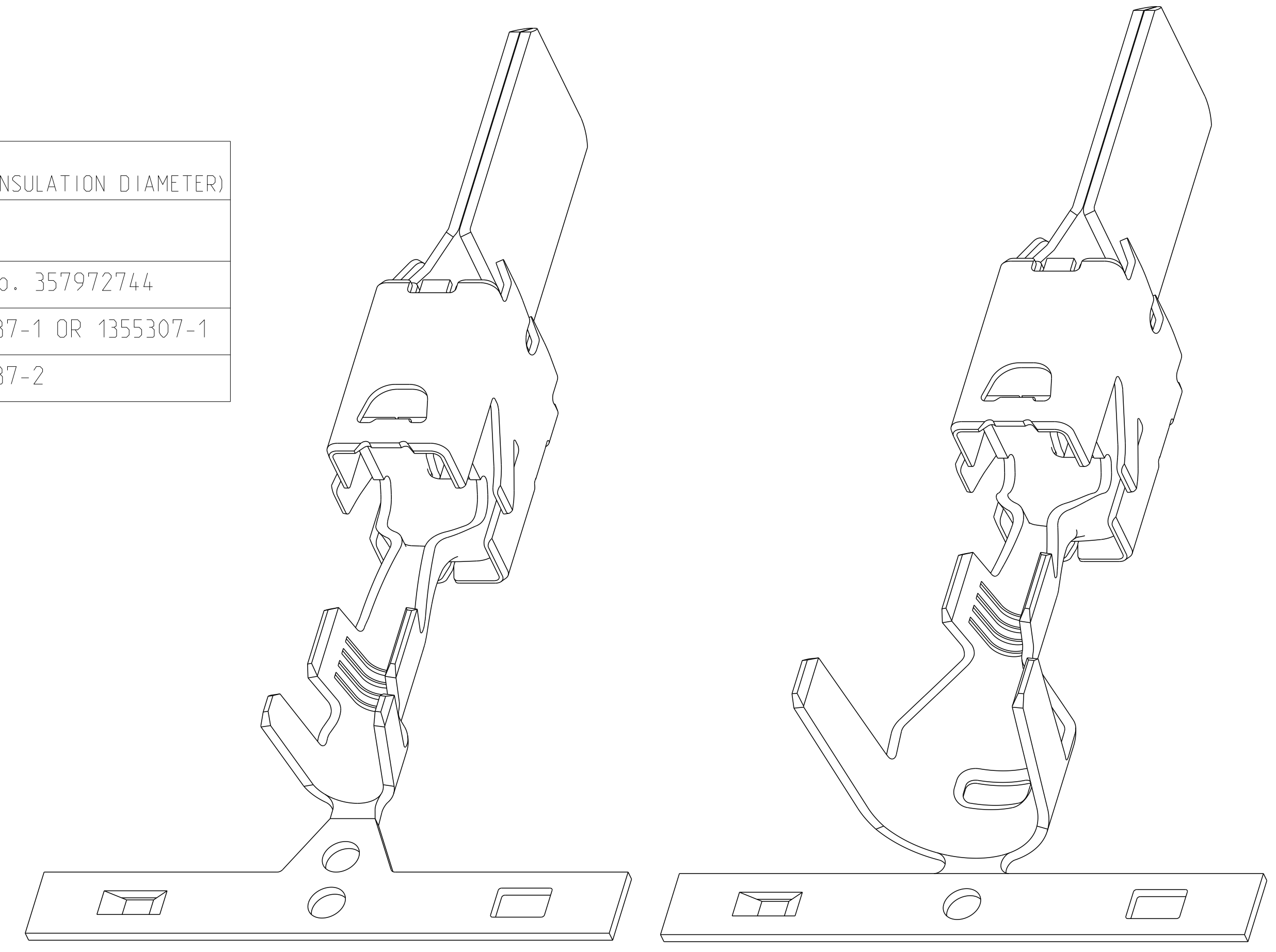


1 MIN. 3µm Ag IN LOCALIZED FUNCTIONAL AREA, Ag FLASH ON REMINDER.  
 A1 2 For 963772-x and 963774-x only



VERSION	TE PN	REV.	MATERIAL	SURFACE	DGB	INSULATION	STRIP FORM		WIRE CRIMP	APPLICATION TOOL	HAND TOOL	EXTRACTION TOOL	A	B	C	D	E	G	H	K	D <sub>DR</sub>	D	CH	Number of serrations		
							Bandware	Bandware																	WIRE CRIMP	INSUL.-CRIMP
VERSION B SINGLE WIRE SEAL / Einzeldichtungssystem	963774-1	C	CuSn4	PRE -TINNED	6 - 10mm <sup>2</sup>	Ø4.6-6.6	E = 7.0 G = 7.3 D <sub>DR</sub> = 3.8	H = 12.9 K = 12.9 D = 9.5	6mm <sup>2</sup> = 2.98 10mm <sup>2</sup> = 3.60	MQC APPLICATOR 2-878735-2 (ALTERNATIVE APPLICATOR 1852862)	-	EXTRACTION TOOL / Ausdrueckwerkzeug No.: 1-1579007-7	6.3	11.9	15.6	4.9	2.5									
	963774-2	C	CuFe2P	PRE -TINNED		A1																				
	963772-1	C	CuSn4	PRE -TINNED	4 - 6mm <sup>2</sup>	Ø4.0-5.2	E = 5.6 G = 5.9 D <sub>DR</sub> = 2.9	H = 12.9 K = 12.9 D = 9.5	4mm <sup>2</sup> = 2.55 6mm <sup>2</sup> = 2.90	MQC APPLICATOR 2-878734-2	-	EXTRACTION TOOL / Ausdrueckwerkzeug No.: 1-1579007-7	5.5	11.1	14.8	4.9	2.5									
	963772-2	C	CuFe2P	PRE -TINNED																						
	963772-3	C	CuSn4	SILVER PLATED																						
	963770-1	C	CuSn4	PRE -TINNED	2.5 - 4mm <sup>2</sup>	Ø3.3-4.5	E = 4.9 G = 5.1 D <sub>DR</sub> = 2.3	H = 12.9 K = 12.9 D = 9.5	2.5mm <sup>2</sup> = 2.41 4mm <sup>2</sup> = 2.74	MQC APPLICATOR 2-878980-2	-	EXTRACTION TOOL / Ausdrueckwerkzeug No.: 1-1579007-7	4.5	11.1	14.8	4.9	2.5									
VERSION A UNSEALED / ungedichtet	963768-1	C	CuSn4	PRE -TINNED	6 - 10mm <sup>2</sup>	Ø4.6 - 6.6 FLK	E = 7.0 G = 7.3 D <sub>DR</sub> = 3.8	H = 9.2 K = 9.6 D = 5.9	6mm <sup>2</sup> = 2.98 6.5mm <sup>2</sup> = 3.06 8.5mm <sup>2</sup> = 3.37 10mm <sup>2</sup> = 3.60	MQC APPLICATOR 2-878732-2 (ALTERNATIVE APPLICATOR 1855441)	734533-1 (Only for 10 mm <sup>2</sup> )	EXTRACTION TOOL / Ausdrueckwerkzeug No.: 1-1579007-7	6.3	9	11.8	45.5	0.8									
	963768-2	C	CuFe2P	PRE -TINNED																						
	963768-3	C	CuSn0.15	PRE -TINNED																						
	963766-2	C	CuFe2P	PRE -TINNED	4 - 6mm <sup>2</sup>	Ø4 - 5.2 FLK	E = 5.6 G = 5.9 D <sub>DR</sub> = 2.9	H = 7.7 K = 8.0 D = 4.6	4mm <sup>2</sup> = 2.55 5mm <sup>2</sup> = 2.72 5.5mm <sup>2</sup> = 2.81 6mm <sup>2</sup> = 2.90	MQC APPLICATOR 2-878731-2	734532-1 (Only for 6 mm <sup>2</sup> )	EXTRACTION TOOL / Ausdrueckwerkzeug No.: 1-1579007-7	5.5	7.8	10.1	45.5	0.6									
	963764-2	D	CuFe2P	PRE -TINNED	2.5 - 4mm <sup>2</sup>	Ø3.3 - 4.5 FLK	E = 4.9 G = 5.1 D <sub>DR</sub> = 2.3	H = 6.9 K = 7.2 D = 4	2.5mm <sup>2</sup> = 2.41 3mm <sup>2</sup> = 2.52 4mm <sup>2</sup> = 2.74	MQC APPLICATOR 2-878979-2	734531-1	EXTRACTION TOOL / Ausdrueckwerkzeug No.: 1-1579007-7	4.5	6.8	9.1	45.5	0.6									
	963764-1	D	CuSn4	PRE -TINNED		A1																				

SINGLE WIRE SEAL (SEAL SELECTION ACCORDING TO INSULATION DIAMETER)	
INSULATION DIAMETER (mm)	SEAL
4.0-4.5	VW No. 357972744
4.6-5.2	1355437-1 OR 1355307-1
5.8-6.6	1355437-2



THIS DRAWING IS A CONTROLLED DOCUMENT.		DATE: 04.08.2016	BY: Jagadeesh.J.	APPD: PaulLeak.Martin
DIMENSIONS:	UNIT: mm	TOLERANCES UNLESS OTHERWISE SPECIFIED:	SCALE: 1:1	PROJ. NO.: 106-18047
MATERIAL:		FINISH:	WEIGHT:	APPLICATOR SPEC: 114-18076
REV.:		DATE:	BY:	APPD:
TE PN:		REV.:	DATE:	BY:
MATERIAL:		SURFACE:	DGB:	INSULATION:
STRIP FORM:		WIRE CRIMP:	APPLICATION TOOL:	HAND TOOL:
EXTRACTION TOOL:		Customer Drawing		

## X-ON Electronics

Largest Supplier of Electrical and Electronic Components

*Click to view similar products for [Automotive Connectors](#) category:*

*Click to view products by [TE Connectivity](#) manufacturer:*

Other Similar products are found below :

[003-018-000](#) [60403001](#) [60993906-B](#) [M902-2131](#) [M902-2161](#) [72.330.1035.1](#) [73.353.4028.0](#) [F119300-B](#) [F166900](#) [F258300-B](#) [F358300-B](#)  
[F407400](#) [F444110](#) [F487000](#) [F509500B-B](#) [827153-1](#) [8N1515-32-24P](#) [9-1326729-8](#) [925474-1](#) [928905-1](#) [964562-4](#) [968782-1](#) [GT17SA-8DS-](#)  
[HU](#) [98891-1012](#) [98947-1016](#) [12004147](#) [12004475-L](#) [12010290](#) [12010309-B](#) [12015454](#) [12020219-B](#) [12020308](#) [12041318-B](#) [12052225-L](#)  
[12052466](#) [12059125](#) [12064869](#) [12004327-B](#) [12010503-B](#) [12015308](#) [12015384](#) [12015909](#) [1-21030-1](#) [12041254](#) [12041318](#) [12047946-B](#)  
[12047957](#) [12047957-L](#) [12059473](#) [12066261](#)