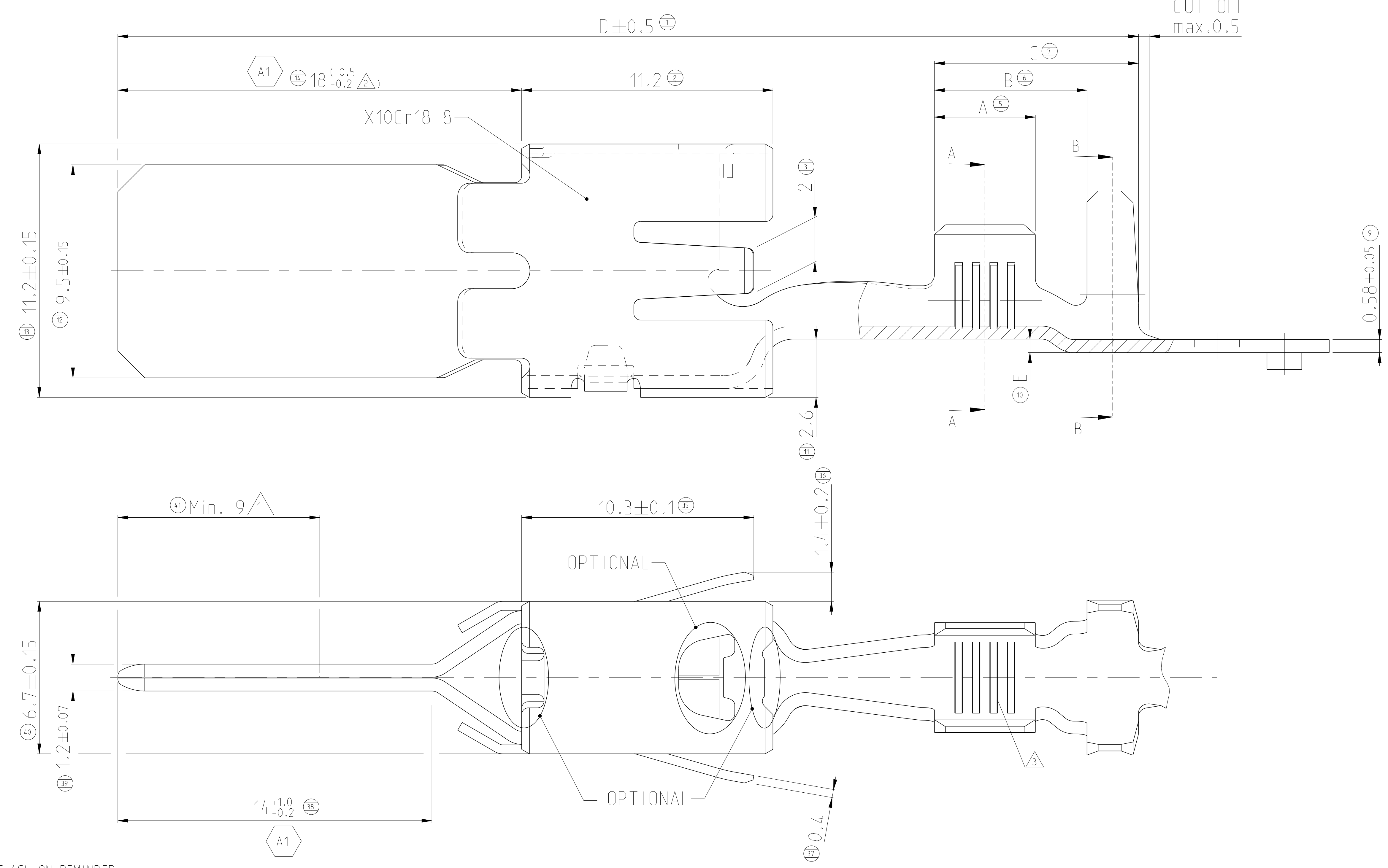
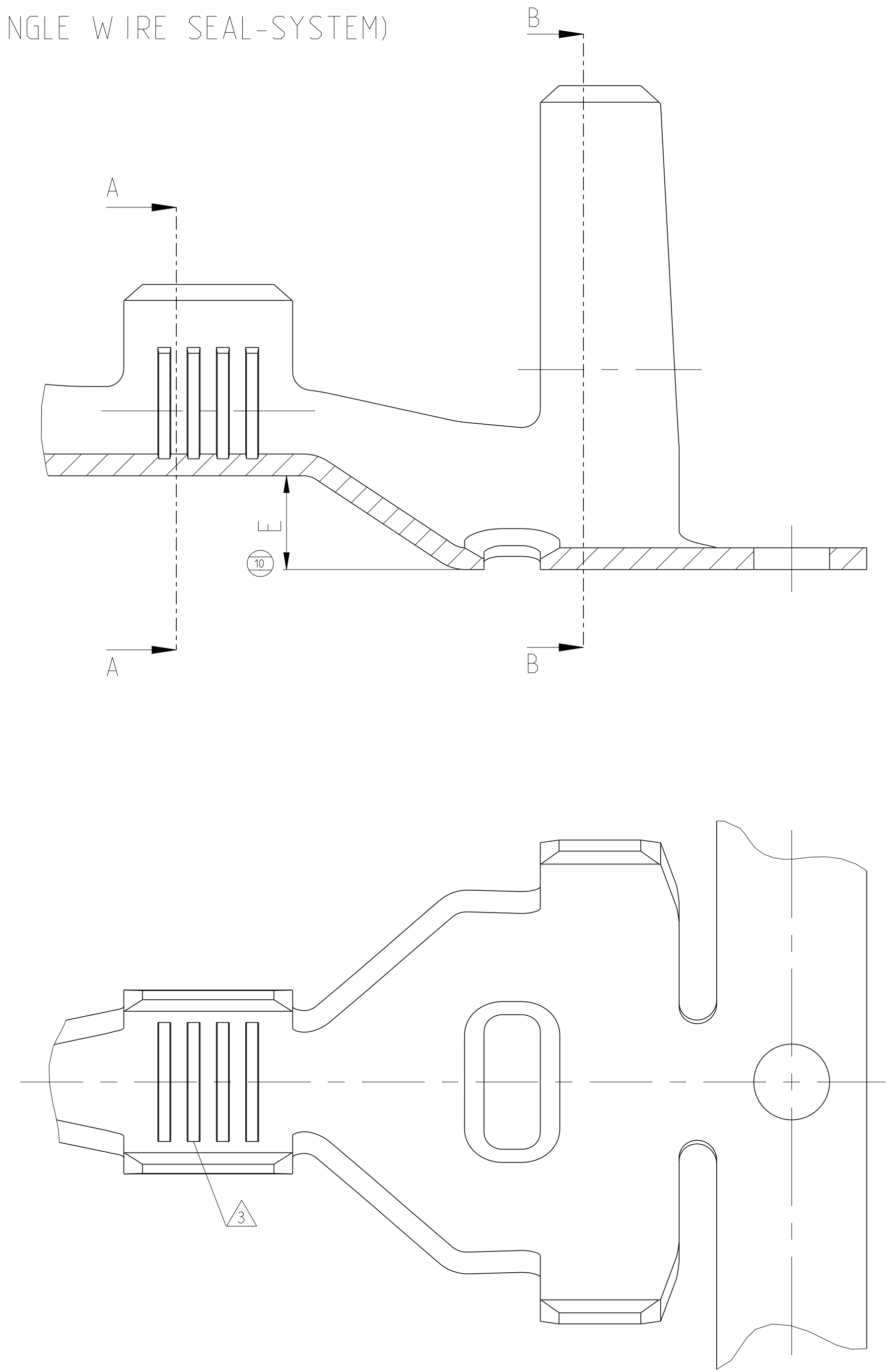


PROJECT No.		REVISIONS			
NO.	DATE	DESCRIPTION	DATE	BY	APPD.
A		New drawing	04.08.2016	JB, JH	MP
A1		ECR-16-015100	25.02.2016	GH	MP

VERSION A
(UNSEALED)

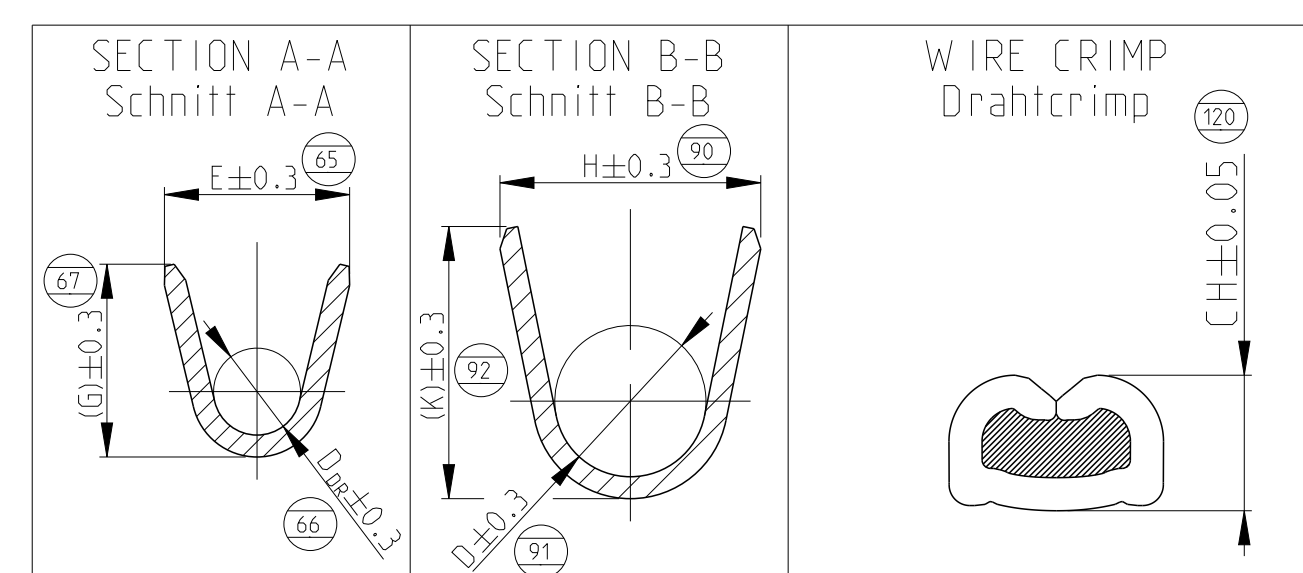


VERSION B
(SINGLE WIRE SEAL-SYSTEM)



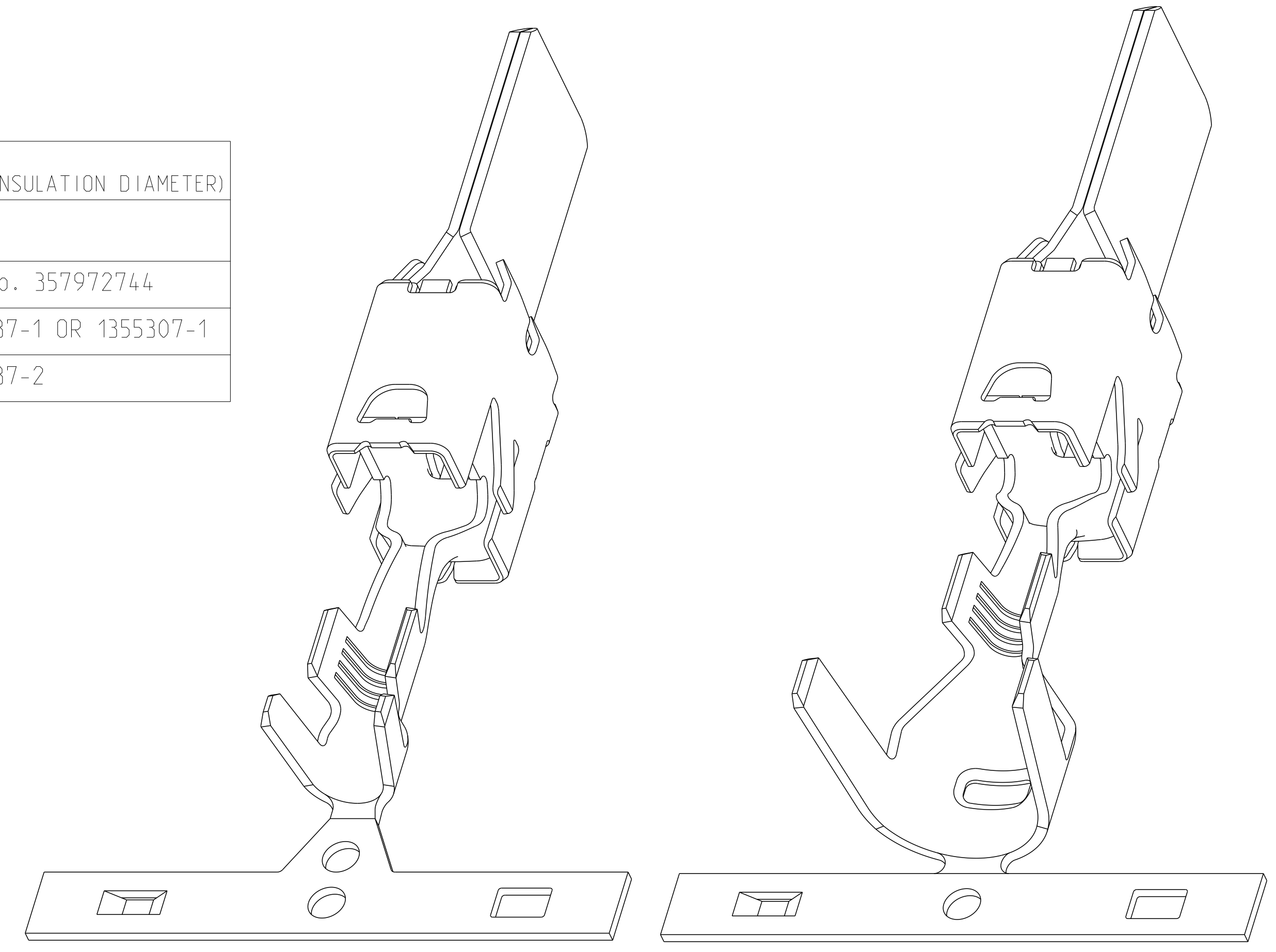
1 MIN. 3µm Ag IN LOCALIZED FUNCTIONAL AREA. Ag FLASH ON REMINDER.

A1 2 For 963772-x and 963774-x only



VERSION B SINGLE WIRE SEAL / Einzeldichtungssystem	Part No.	C	Material	Surface	DGB WIRE RANGE [mm ²]	INSULATION DIAMETER (mm)	E	G	D _{DR}	H	K	D	WIRE CRIMP HEIGHT CH Drahtcrimp-Höhe CH	APPLICATION TOOL Anschlag = WKZ	HAND TOOL Hndzange	EXTRACTION TOOL / Ausdrueckwerkzeug No.: 1-1579007-7	Dimensions (mm)										
																	A	B	C	D	E ± 0.05						
VERSION A UNSEALED / ungedichtet	963774-1	C	CuSn4	PRE -TINNED	6 - 10mm ²	Ø4.6-6.6	E = 7.0	G = 7.3	D _{DR} = 3.8	H = 12.9	K = 12.9	D = 9.5	6mm ² = 2.98	MQC APPLICATOR 2-878735-2	-	-	6.3	11.9	15.6	4.9	2.5	5					
	963774-2	C	CuFe2P	PRE -TINNED		A1							10mm ² = 3.60	(ALTERNATIVE APPLICATOR 1852862)	-	-											
	963772-1	C	CuSn4	PRE -TINNED	4 - 6mm ²	Ø4.0-5.2	E = 5.6	G = 5.9	D _{DR} = 2.9	H = 12.9	K = 12.9	D = 9.5	4mm ² = 2.55	MQC APPLICATOR 2-878734-2	-	-	5.5	11.1	14.8	4.9	2.5	4					
	963772-2	C	CuFe2P	PRE -TINNED									6mm ² = 2.90														
	963772-3	C	CuSn4	SILVER PLATED																							
	963770-1	C	CuSn4	PRE -TINNED	2.5 - 4mm ²	Ø3.3-4.5	E = 4.9	G = 5.1	D _{DR} = 2.3	H = 12.9	K = 12.9	D = 9.5	2.5mm ² = 2.41	MQC APPLICATOR 2-878980-2	-	-	4.5	11.1	14.8	4.9	2.5	4					
963770-2	C	CuFe2P	PRE -TINNED									4mm ² = 2.74															
VERSION A UNSEALED / ungedichtet	963768-1	C	CuSn4	PRE -TINNED	6 - 10mm ²	Ø4.6 - 6.6 FLK	E = 7.0	G = 7.3	D _{DR} = 3.8	H = 9.2	K = 9.6	D = 5.9	6mm ² = 2.98	MQC APPLICATOR 2-878732-2	734533-1 (Only for 10 mm ²)	-	6.3	9	11.8	45.5	0.8	5					
	963768-2	C	CuFe2P	PRE -TINNED									6.5mm ² = 3.06	(ALTERNATIVE APPLICATOR 1855441)													
	963768-3	C	CuSn0.15	PRE -TINNED									8.5mm ² = 3.37														
	963766-2	C	CuFe2P	PRE -TINNED	4 - 6mm ²	Ø4 - 5.2 FLK	E = 5.6	G = 5.9	D _{DR} = 2.9	H = 7.7	K = 8.0	D = 4.6	4mm ² = 2.55	MQC APPLICATOR 2-878731-2	734532-1 (Only for 6 mm ²)	-	5.5	7.8	10.1	45.5	0.6	4					
	963766-1	C	CuSn4	PRE -TINNED									5mm ² = 2.72														
	963764-2	D	CuFe2P	PRE -TINNED	2.5 - 4mm ²	Ø3.3 - 4.5 FLK	E = 4.9	G = 5.1	D _{DR} = 2.3	H = 6.9	K = 7.2	D = 4	2.5mm ² = 2.41	MQC APPLICATOR 2-878979-2	734531-1	-	4.5	6.8	9.1	45.5	0.6	4					
963764-1	D	CuSn4	PRE -TINNED		A1							3mm ² = 2.52															
TE PN STRIP FORM Bandware	REV.	MATERIAL Werkstoff	SURFACE Oberflaeche	DGB WIRE RANGE [mm ²]	INSULATION DIAMETER (mm)	STRIP FORM Bandware		WIRE CRIMP Drahtcrimp		INSUL.-CRIMP Isol.-Crimp		APPLICATION TOOL Anschlag = WKZ		HAND TOOL Hndzange		EXTRACTION TOOL / Ausdrueckwerkzeug No.: 1-1579007-7		Dimensions (mm)		Number of serrations							
												CRIMP DIMENSION (mm) Crimpabmessungen (mm)		CRIMP AND EXTRACTION TOOLS		A		B		C		D		E ± 0.05		A1	

SINGLE WIRE SEAL (SEAL SELECTION ACCORDING TO INSULATION DIAMETER)	
INSULATION DIAMETER (mm)	SEAL
4.0-4.5	VW No. 357972744
4.6-5.2	1355437-1 OR 1355307-1
5.8-6.6	1355437-2



THIS DRAWING IS A CONTROLLED DOCUMENT.		DATE: 04.08.2016	BY: Jagadeesh.J.	APPD: PaulLeak.Martin
DIMENSIONS: (mm)	TOLERANCES UNLESS OTHERWISE SPECIFIED:	SCALE: 1:1	PRODUCT SPEC: 106-18047	APPLICATOR SPEC: 114-18076
MATERIAL: -	FINISH: -	WEIGHT: -	SIZE: A0	CASE CODE: 2287475
Customer Drawing		SCALE: 10:1	SHEET: 1 of 1	REV: A1

X-ON Electronics

Largest Supplier of Electrical and Electronic Components

Click to view similar products for [Automotive Connectors](#) category:

Click to view products by [TE Connectivity](#) manufacturer:

Other Similar products are found below :

[003-018-000](#) [60403001](#) [60993906-B](#) [M902-2131](#) [M902-2161](#) [M902-2344](#) [72.330.1035.1](#) [73.353.4028.0](#) [F119300-B](#) [F166900](#) [F258300-B](#)
[F358300-B](#) [F407400](#) [F444110](#) [F487000](#) [F509500B-B](#) [827153-1](#) [8N1515-32-24P](#) [9-1326729-8](#) [925474-1](#) [928905-1](#) [964562-4](#) [968782-1](#)
[GT17SA-8DS-HU](#) [98891-1012](#) [98947-1016](#) [12004147](#) [12004475-L](#) [12010290](#) [12010309-B](#) [12015454](#) [12020219-B](#) [12041318-B](#) [12052225-](#)
[L](#) [12052466](#) [12064869](#) [12004327-B](#) [12015308](#) [12015384](#) [12015909](#) [1-21030-1](#) [12041254](#) [12041318](#) [12047946-B](#) [12047957](#) [12047957-L](#)
[12059473](#) [12066261](#) [12110546](#) [12110546-B](#)