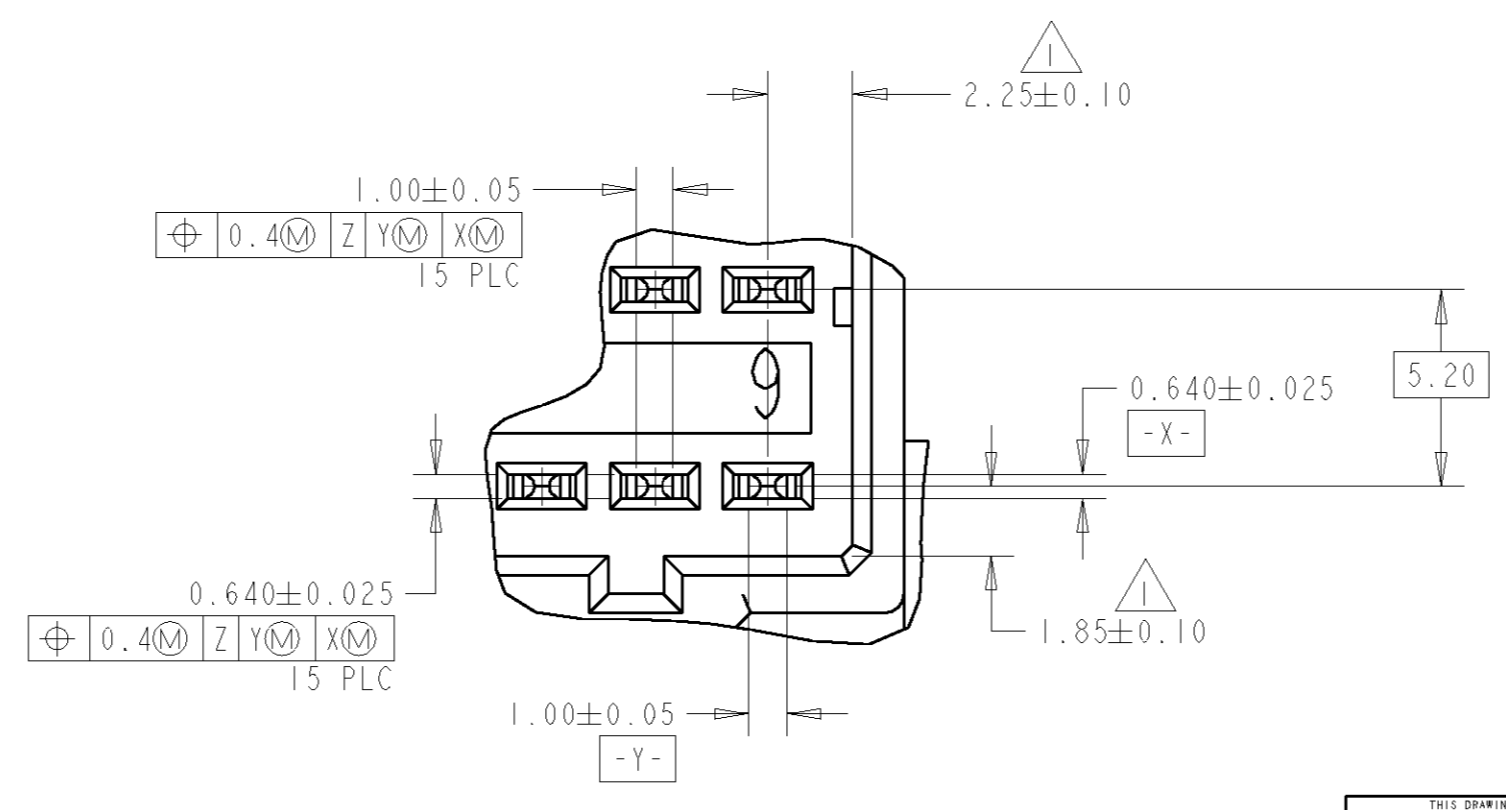
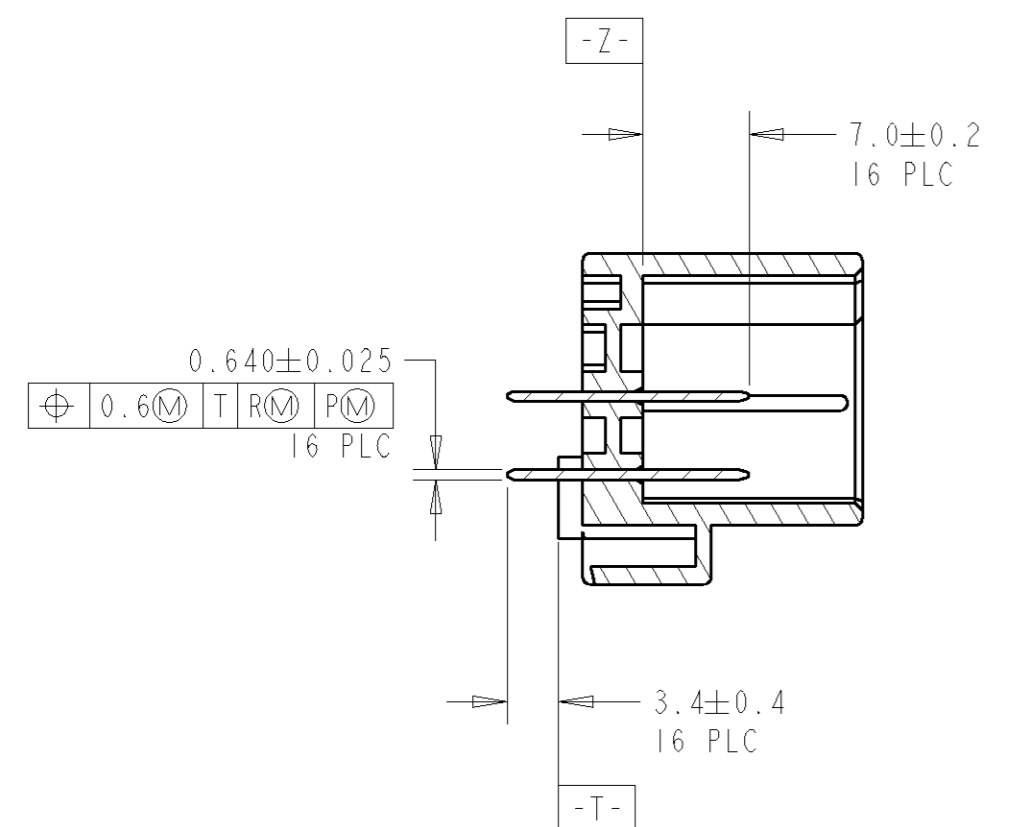
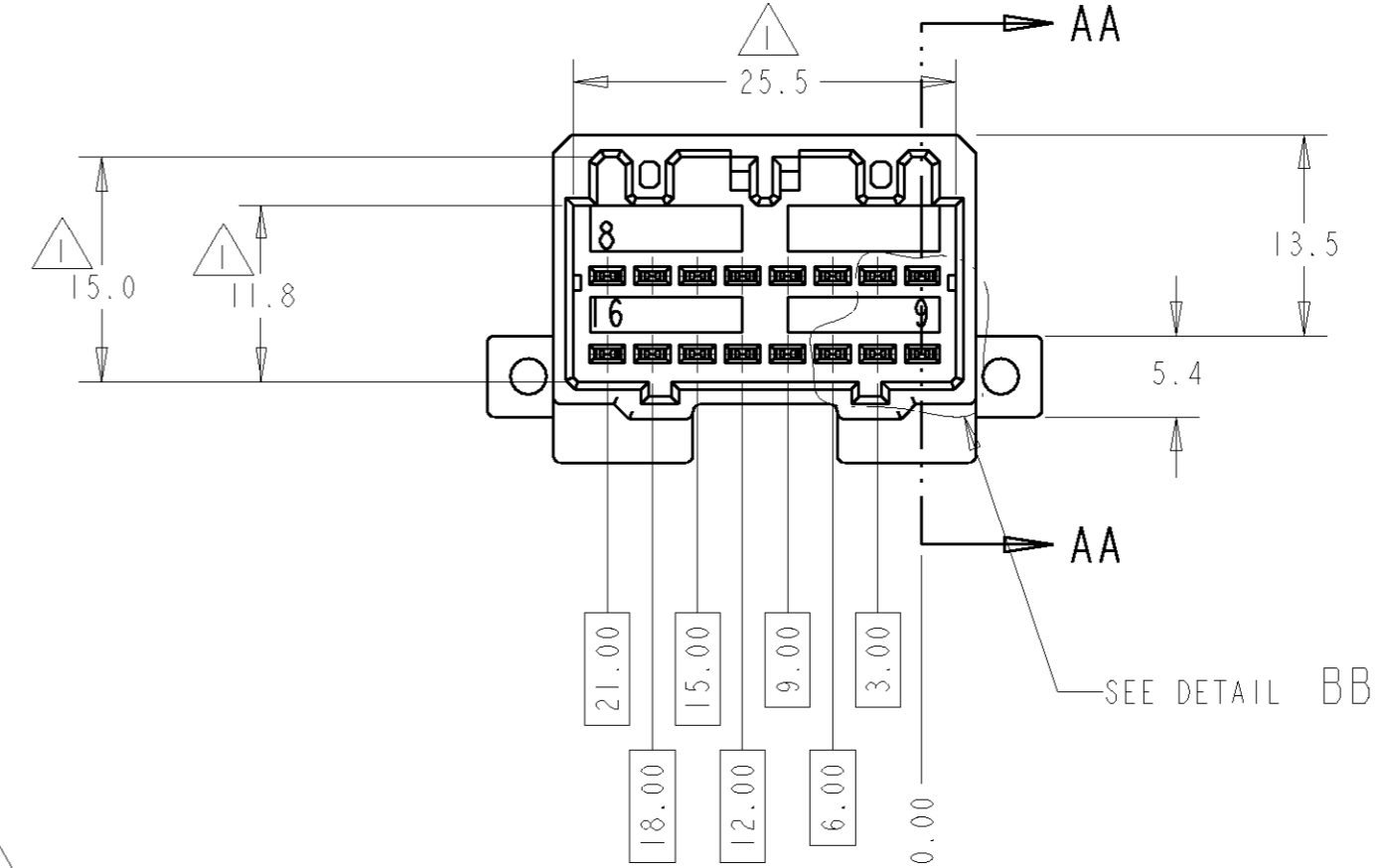
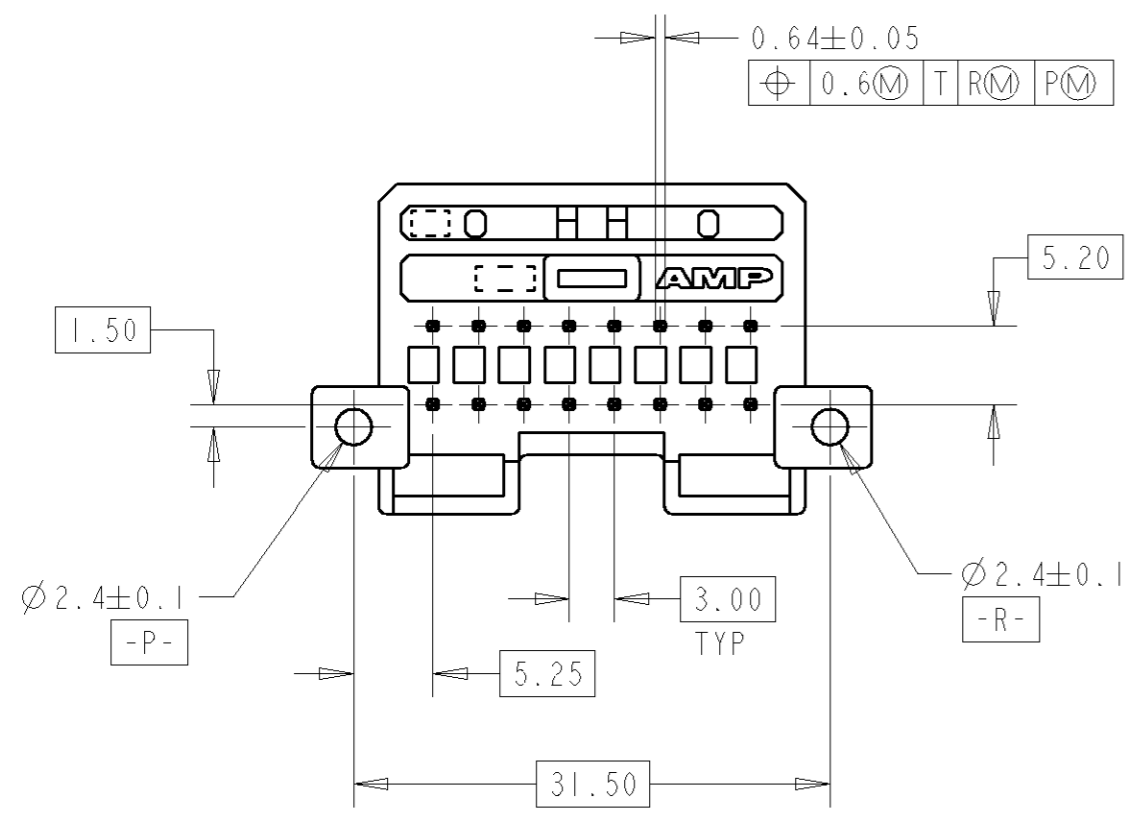
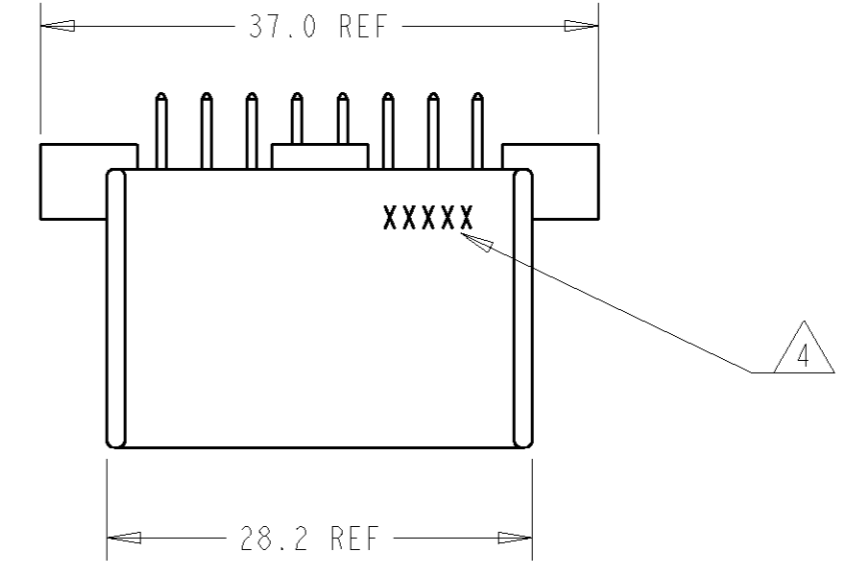
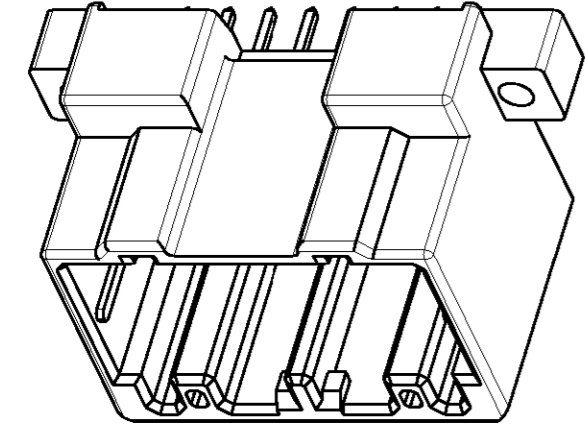


THIS DRAWING IS UNPUBLISHED. RELEASED FOR PUBLICATION .19
 © COPYRIGHT 19 BY AMP INCORPORATED. ALL RIGHTS RESERVED.

LOC	DIST	REVISIONS			
P	LTR	DESCRIPTION	DATE	DWN	APVD
FX	00				
	O	RELEASED PER NPR 99026	09SEP99	JRB	RAS
	A	REV PER EC 0K80-0155-99	18NOV99	JRB	RAS
	A1	REV PER EC 0K80-0153-03	23MAY2003	DJA	CBP
	A2	REV PER EC 0K80-0181-03	23MAY2003	DJA	CBP

1. DIMENSION MUST BE HELD BETWEEN $-Z-$ AND 2mm FROM $-Z-$
2. DATUMS AND BASIC DIMENSIONS ESTABLISHED BY CUSTOMER
3. THE MATING PLUG PART NUMBER IS 917981
4. DATE CODE
5. RECOMMENDED MOUNTING SCREW, 3mm DIA X 6mm LG, PAN HEAD, CLASS 2 TAPPING SCREW AS SPECIFIED IN JIS B1115 AND B1112. TIGHTENING TORQUE 4kg-cm MAX.



SECTION AA-AA
(.040 TABS)

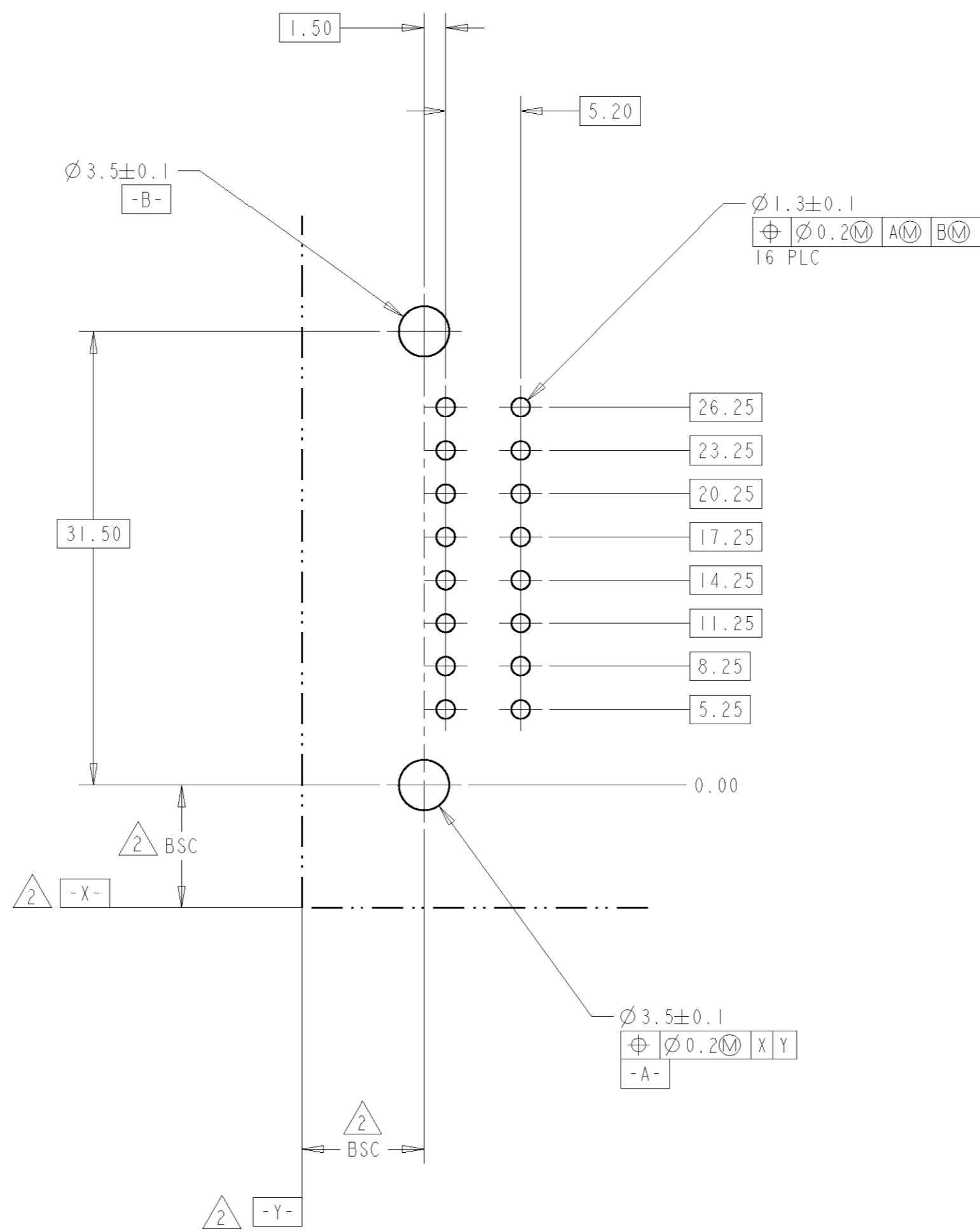
DETAIL BB
SCALE 5:1

TIN	BRASS	BLACK	PBT	9-638256-2
CONTACT FINISH	CONTACT MATERIAL	COLOR	HOUSING MATERIAL	PART NUMBER

THIS DRAWING IS A CONTROLLED DOCUMENT FOR AMP INCORPORATED. IT IS SUBJECT TO CHANGE AND THE CONTROLLING ENGINEERING ORGANIZATION SHOULD BE CONTACTED FOR THE LATEST REVISION.		DWN Y. PETERSON 26MAY99	AMP Incorporated Harrisburg, PA 17105-3608	
DIMENSIONS: mm 		CHK M. MENDYK 26MAY99	NAME ASSY, VERT. MOUNT 16POS 040 HYBRID W/SCREW HOLES	
TOLERANCES UNLESS OTHERWISE SPECIFIED: 0 PLC ± 1 PLC ±0.3 2 PLC ±0.15 3 PLC ± 4 PLC ± ANGLES ±° FINISH SEE TABLE		APVD M. MENDYK 26MAY99	PRODUCT SPEC 108-5342	RESTRICTED TO -
MATERIAL SEE TABLE		APPLICATION SPEC -	SIZE A2	CAGE CODE 00779
		WEIGHT 7.0GR	DRAWING NO G-638256	SHEET 1 OF 2
		CUSTOMER DRAWING		REV A2

THIS DRAWING IS UNPUBLISHED. RELEASED FOR PUBLICATION .19
 BY AMP INCORPORATED. ALL RIGHTS RESERVED.

LOC	DIST	REVISIONS			
P	LTR	DESCRIPTION	DATE	DWN	APVD
FX	00	SEE SHEET 1	-	-	-



P.C. BOARD LAYOUT

<small>THIS DRAWING IS A CONTROLLED DOCUMENT FOR AMP INCORPORATED. IT IS SUBJECT TO CHANGE AND THE CONTROLLING ENGINEERING ORGANIZATION SHOULD BE CONTACTED FOR THE LATEST REVISION.</small>		DWN Y. PETERSON 26MAY99 CHK M. MENDYK 26MAY99 APVD M. MENDYK 26MAY99	AMP AMP Incorporated Harrisburg, PA 17105-3608
DIMENSIONS: mm 	TOLERANCES UNLESS OTHERWISE SPECIFIED: 0 PLC ± 1 PLC ±0.3 2 PLC ±0.15 3 PLC ± 4 PLC ± ANGLES ±° FINISH -	NAME ASSY, VERT. MOUNT 16POS 040 HYBRID W/SCREW HOLES PRODUCT SPEC - APPLICATION SPEC - WEIGHT -	SIZE A2 CAGE CODE 00779 DRAWING NO G-638256 RESTRICTED TO -
MATERIAL -		CUSTOMER DRAWING SCALE 2:1 SHEET 2 OF 2 REV A2	

X-ON Electronics

Largest Supplier of Electrical and Electronic Components

Click to view similar products for [Automotive Connectors](#) category:

Click to view products by [TE Connectivity](#) manufacturer:

Other Similar products are found below :

[003-018-000](#) [60403001](#) [60993906-B](#) [M902-2131](#) [M902-2161](#) [M902-2344](#) [72.330.1035.1](#) [73.353.4028.0](#) [F119300-B](#) [F166900](#) [F258300-B](#)
[F358300-B](#) [F407400](#) [F444110](#) [F487000](#) [F509500B-B](#) [827153-1](#) [8N1515-32-24P](#) [9-1326729-8](#) [925474-1](#) [928905-1](#) [964562-4](#) [968782-1](#)
[GT17SA-8DS-HU](#) [98891-1012](#) [98947-1016](#) [12004147](#) [12004475-L](#) [12010290](#) [12010309-B](#) [12015454](#) [12020219-B](#) [12041318-B](#) [12052225-](#)
[L](#) [12052466](#) [12064869](#) [12004327-B](#) [12015308](#) [12015384](#) [12015909](#) [1-21030-1](#) [12041254](#) [12041318](#) [12047946-B](#) [12047957](#) [12047957-L](#)
[12059473](#) [12066261](#) [12110546](#) [12110546-B](#)