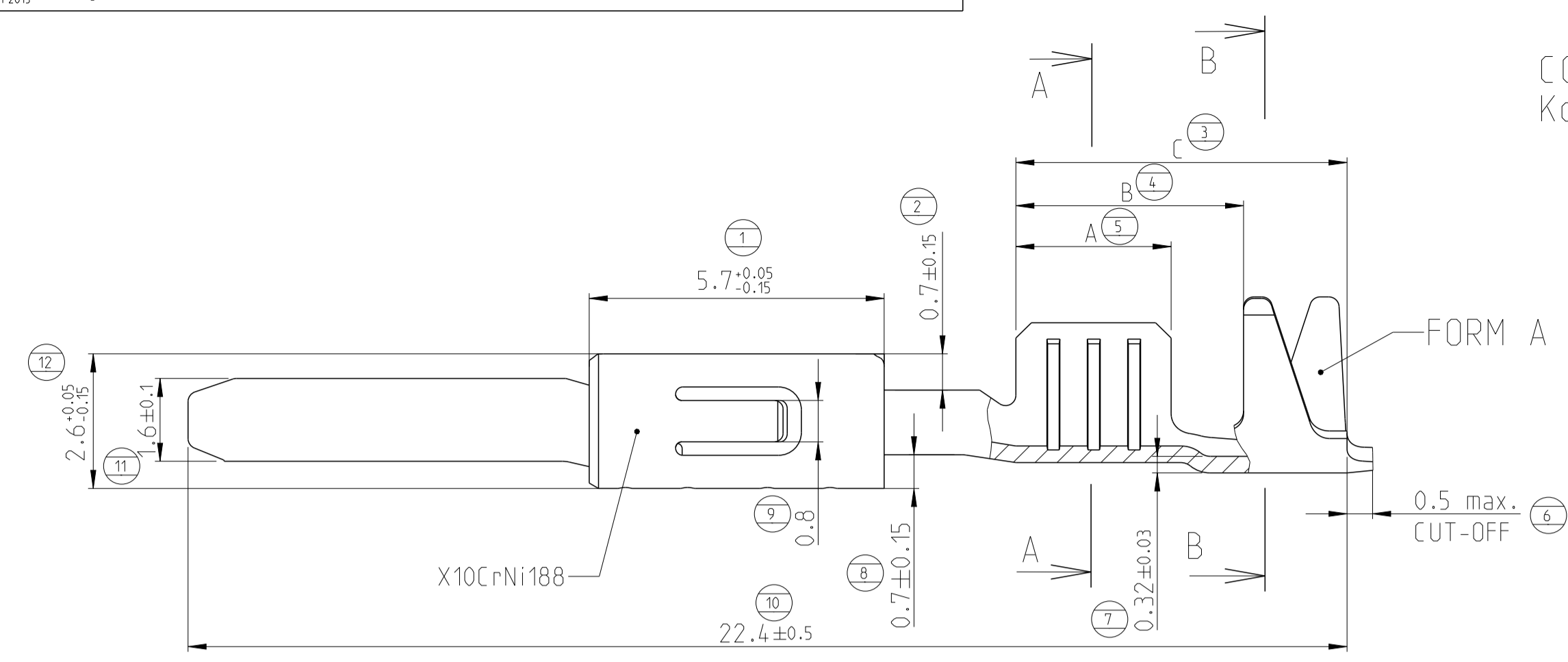
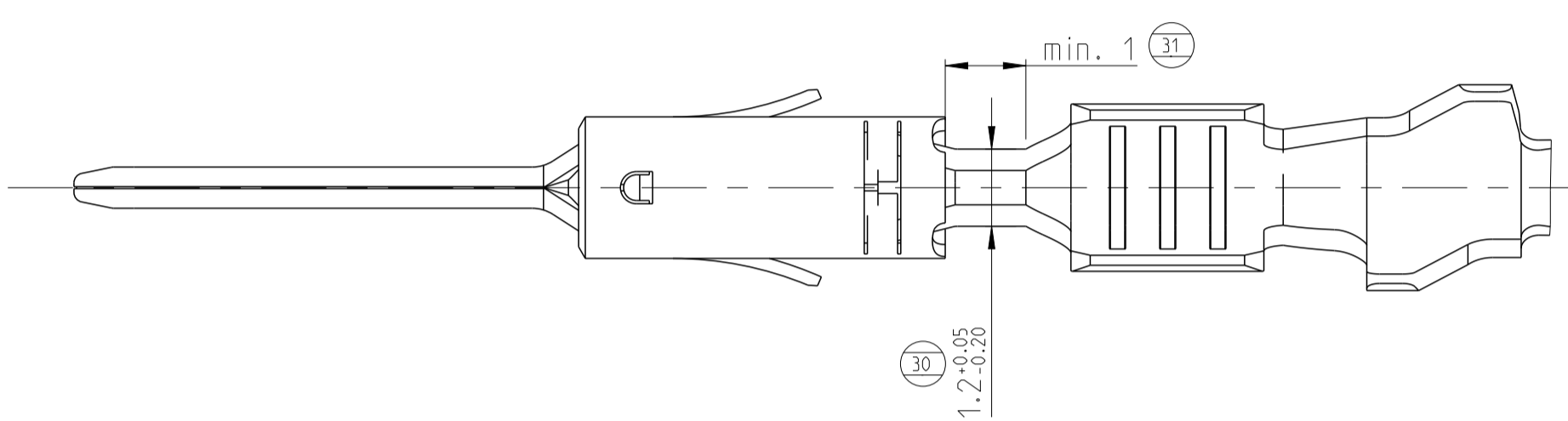
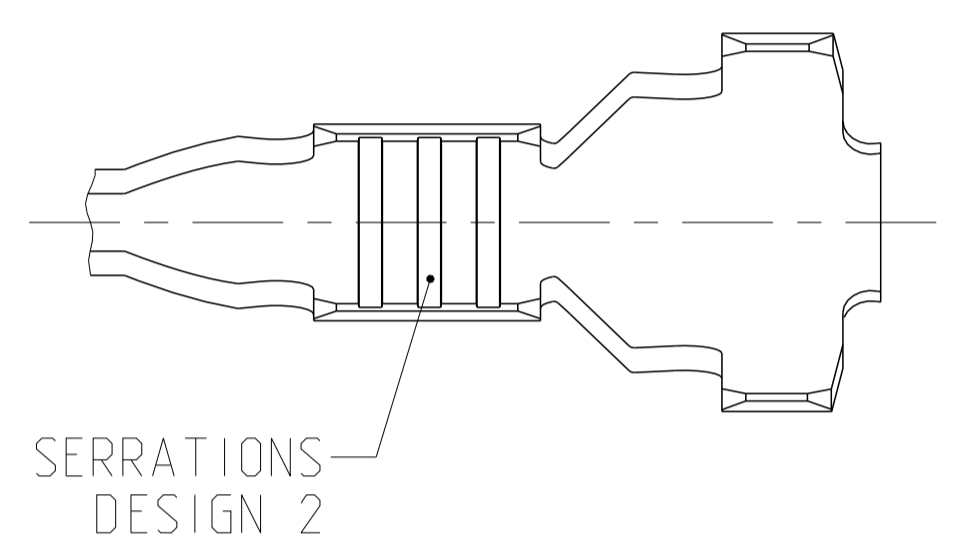
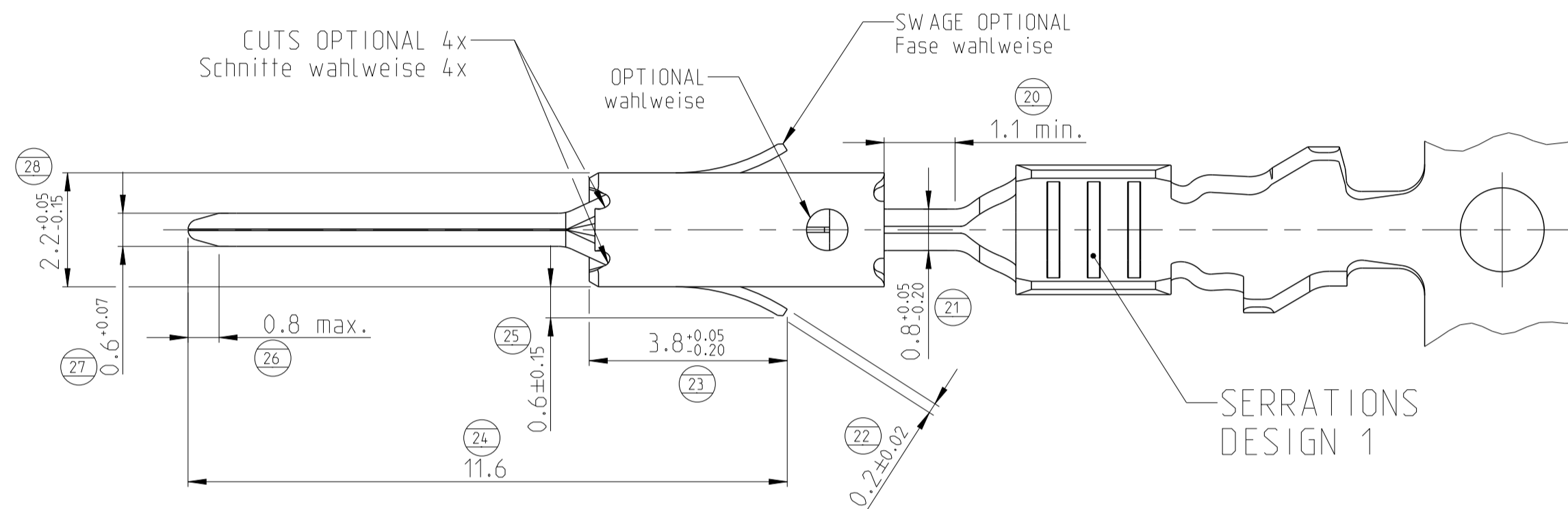
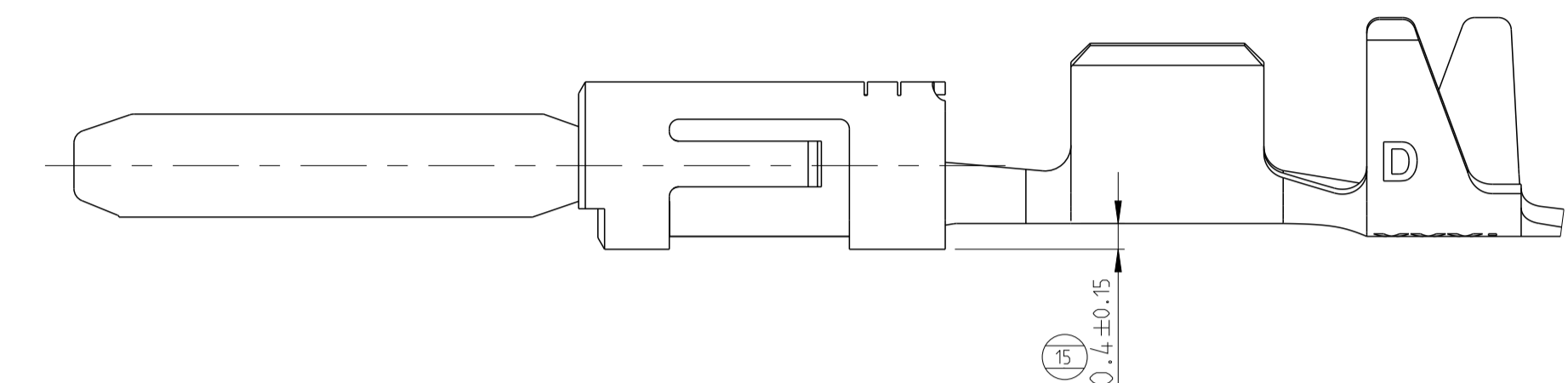


REVISIONS				
P.	LTN	DESCRIPTION	DATE	APPROV
A18	ECR-16-006173		04MAY2016	MB JK
A19	ECR-16-009404		22SEP2016	MB JK
A20	ECR-17-005648		21OCT2017	MB PST
A21	ECR-18-014391		24SEP2018	SCK RP

CONTACTS FOR FLR-CABLE  
 Kontakte fuer FLR-Leitung

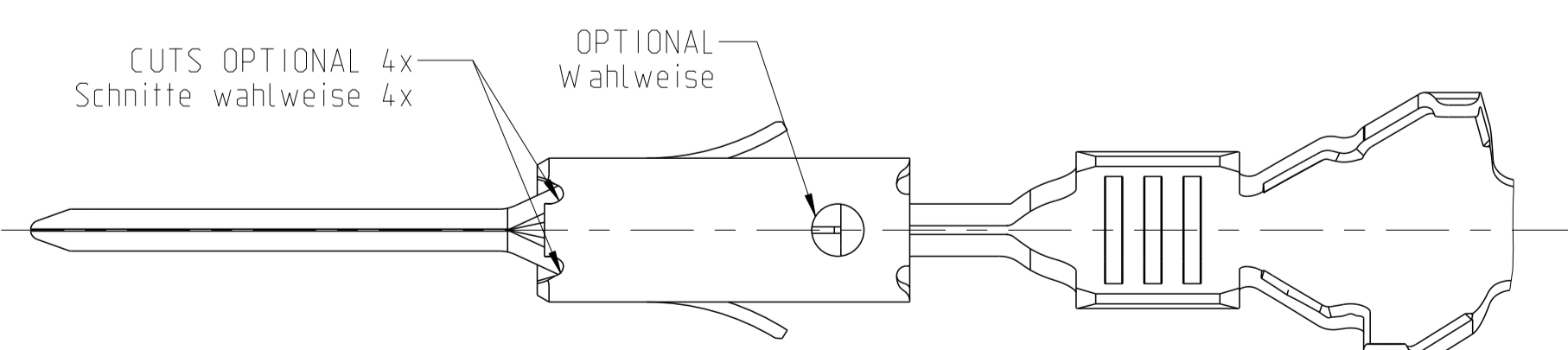
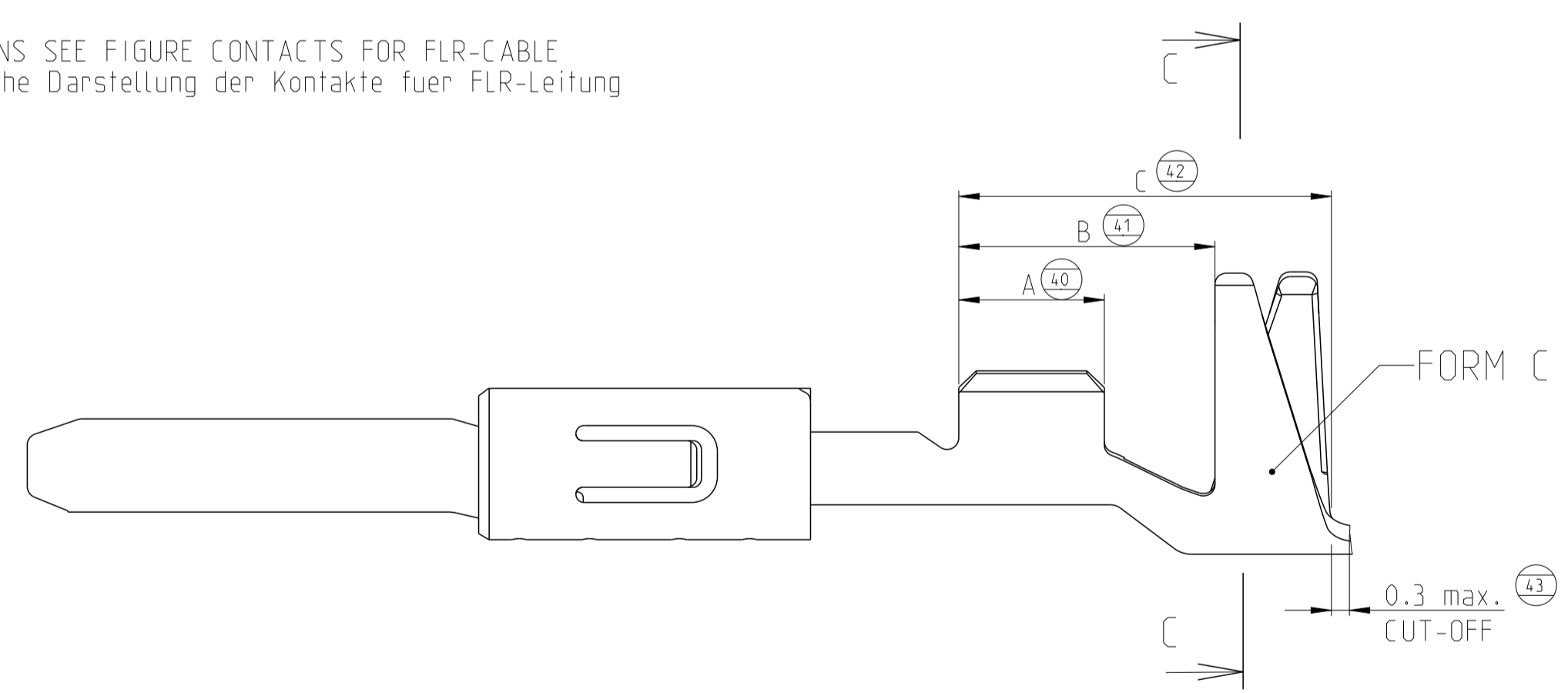


DESIGN 963898 / 963900 / 963904  
 Ausfuehrung 963898 / 963900 / 963904

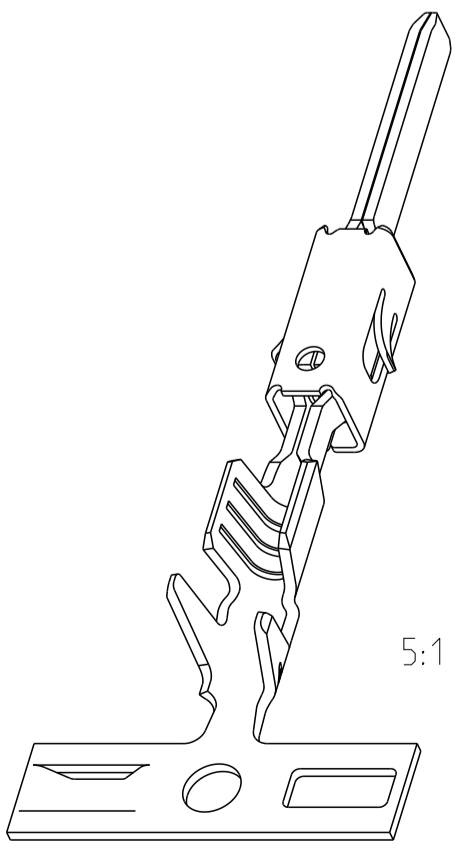
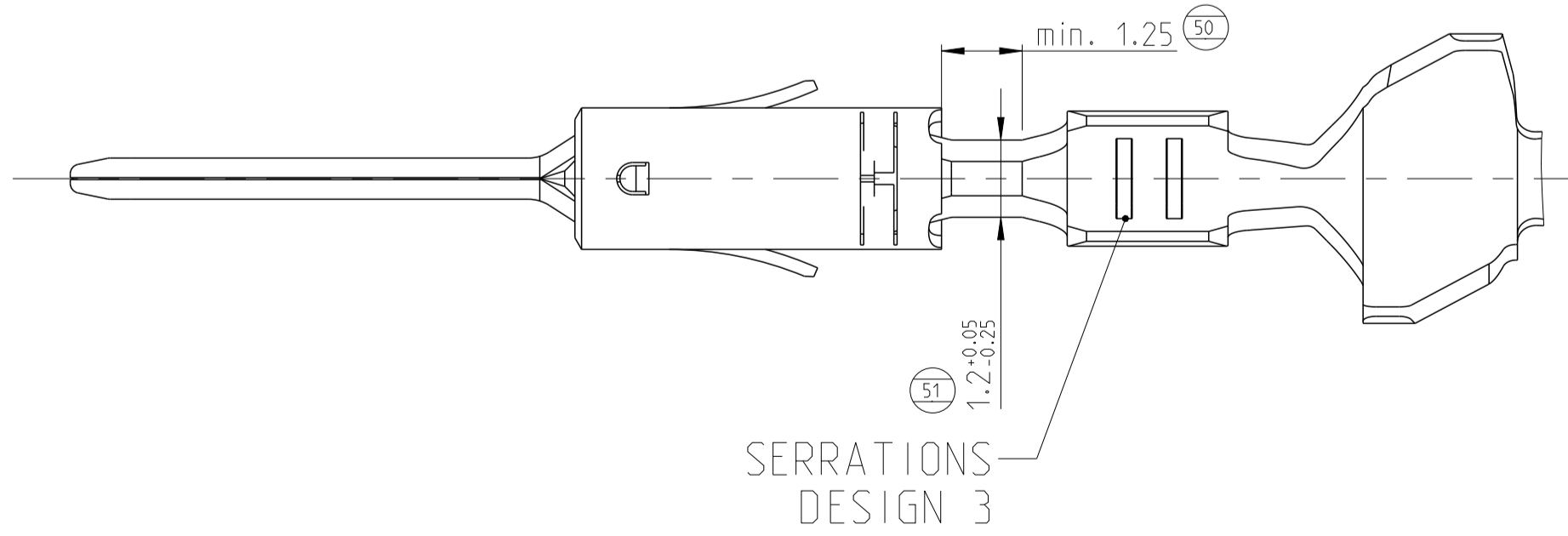
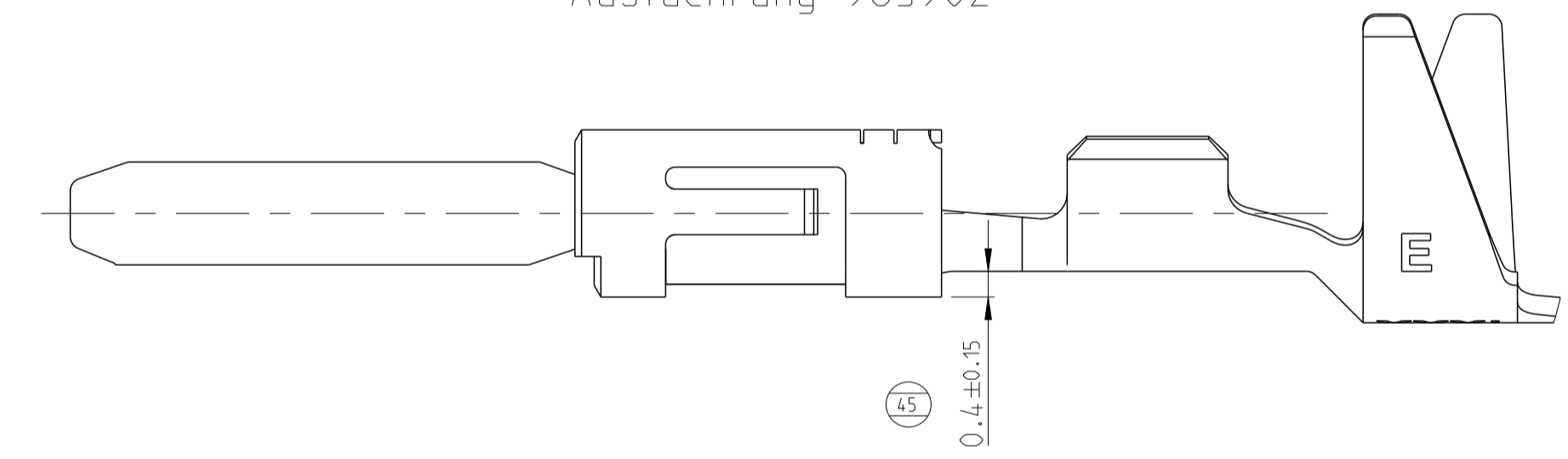


CONTACTS FOR SINGLE WIRE SEALING SYSTEM:  
 FLR- AND FLK-CABLE  
 Kontakte fuer Einzeldichtung-System:  
 FLR- und FLK-Leitung

DIMENSIONS SEE FIGURE CONTACTS FOR FLR-CABLE  
 Masse siehe Darstellung der Kontakte fuer FLR-Leitung

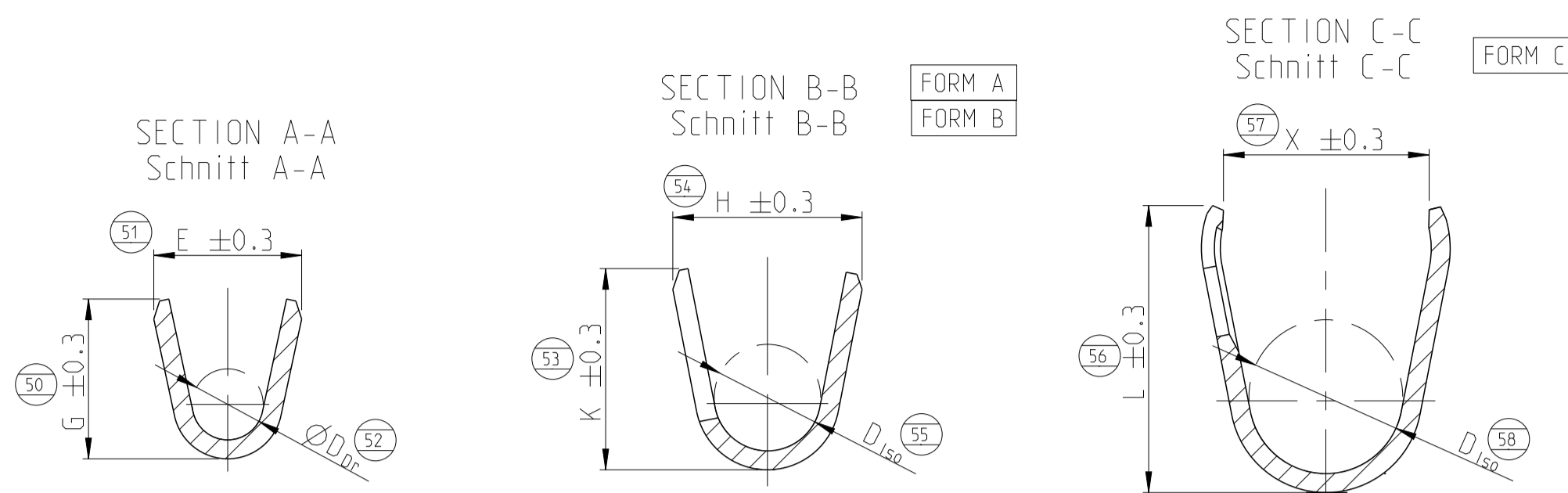


DESIGN 963902  
 Ausfuehrung 963902



THIS DRAWING IS A CONTROLLED DOCUMENT.		OWN T. Bensch	11JUN1997	TE Connectivity
DIMENSIONS: mm		CHK U. Muenk	11JUN1997	
TOLERANCES UNLESS OTHERWISE SPECIFIED: ±0.2		APVD M. Bleicher	02MAR2011	NAME PRODUCT GROUP DRAWING TAB 1.6 x 0.6 Flachstecker 1.6 x 0.6
MATERIAL SEE TABLE sheet 2 siehe Tabelle		FINISH SEE TABLE sheet 2 siehe Tabelle	WEIGHT -	
SIZE 116-18082		CAGE CODE 00779		DRAWING NO. C=1355055
SCALE 10:1		SHEET 1 OF 2		REV A21

REVISIONS				
P.	LTM	DESCRIPTION	DATE	OWN APVD
-	-	SEE SHEET 1	-	-



SINGLE WIRE SEAL / Einzeladichtungssystem

UNSEALED / ungedichtet

TE ORDER-NO.	REV	DESIGN SERRATIONS	MATERIAL	SURFACE	DGB	INSULATION	SEE / siehe SECTION A-A Schnitt A-A	SEE / siehe SECTION B-B / C-C Schnitt B-B / C-C	HAND TOOL	INSERT	A	B	C	X	TE ORDER-NO.	CRIMP DATA AND CRIMP TOOL								
							E = 2.8 G = 3.0 D <sub>Dr</sub> = 1.4	L = 4.9 D <sub>ISO</sub> = 2.9																
1703278-5	A	1	CuSn4	5	1.5	1.95 - 2.4	E = 2.8 G = 3.0 D <sub>Dr</sub> = 1.4	L = 4.9 D <sub>ISO</sub> = 2.9	169400-0 539635-1	-	3.0	4.4	6.4	3.6	539960-1									
1703278-2	A	1	CuFe2	4	0.5 - 1.0	1.4 - 2.1	E = 2.5 G = 2.7 D <sub>Dr</sub> = 1.2	L = 4.8 D <sub>ISO</sub> = 2.7	539612-1 539663-2	3.0	4.4	6.4	3.3											
2-964269-2	A	1	CuFe2	5																				
964269-5	A	1	CuSn4	5																				
964269-3	E	1	CuSn4	1																				
964269-2	D	1	CuFe2	4	0.5 - 1.0	1.4 - 2.1	E = 2.6 G = 2.8 D <sub>Dr</sub> = 1.2	H = 4.5 K = 4.8 D <sub>ISO</sub> = 2.7	539651-2	3.0	4.6	7.0	-											
963904-3	G	1	CuSn4	1																				
963904-2	F	1	CuFe2	4																				
963904-1	F	1	CuSn4	4																				
2141884-5	A	2	CuSn4	5	0.35	1.15 - 1.6	E = 2.4 G = 2.3 D <sub>Dr</sub> = 1.0	L = 4.8 D <sub>ISO</sub> = 2.6	539663-2	2.5	4.4	6.4	3.3											
2141884-3	B	2	CuSn4	1																				
2-2141884-2	A	2	CuFe2	5																				
2141884-2	A	2	CuFe2	4																				
969028-5	A	3	CuSn4	5	0.2 - 0.5	1.15 - 1.6	E = 2.1 G = 2.1 D <sub>Dr</sub> = 0.8	X = 4.3 L = 4.8 D <sub>ISO</sub> = 2.6	539612-1 539663-2	2.5	4.4	6.4	3.3											
969028-3	E	3	CuSn4	1																				
969028-2	D	3	CuFe2	4																				
963902-3	E	3	CuSn4	1																				
963902-2	D	3	CuFe2	4	0.2 - 0.5	1.15 - 1.6	E = 2.1 G = 2.1 D <sub>Dr</sub> = 0.8	H = 4.5 K = 4.8 D <sub>ISO</sub> = 2.7	539651-2	2.5	4.6	7.0	-											
963902-1	D	3	CuSn4	4																				
1241846-5	A	1	CuSn4	5											1.5	2.2 - 2.4	E = 2.8 G = 3.0 D <sub>Dr</sub> = 1.4	H = 3.5 K = 3.9 D <sub>ISO</sub> = 1.9	169400-0 539635-1	-	3.0	4.4	6.4	-
1241846-3	B	1	CuSn4	1																				
1241846-2	A	1	CuFe2	4																				
1241846-1	A	1	CuSn4	4																				
969079-3	C	1	CuSn4	1	0.5 - 1.0	1.4 - 2.1	E = 2.5 G = 2.8 D <sub>Dr</sub> = 1.2	H = 3.7 K = 3.9 D <sub>ISO</sub> = 1.8	-	3.0	4.6	6.2	-											
969079-2	B	1	CuFe2	4																				
964267-4	A	1	CuSn4	5																				
964267-3	D	1	CuSn4	1																				
964267-2	C	1	CuFe2	4	0.5 - 1.0	1.4 - 2.1	E = 2.5 G = 2.7 D <sub>Dr</sub> = 1.2	H = 3.2 K = 3.4 D <sub>ISO</sub> = 1.8	539612-1 539663-2	3.0	4.4	6.4	-											
964267-1	C	1	CuSn4	4																				
963900-4	E	1	CuSn4	1																				
963900-3	E	1	CuSn4	1																				
963900-2	D	1	CuFe2	4	0.5 - 1.0	1.4 - 2.1	E = 2.6 G = 2.8 D <sub>Dr</sub> = 1.2	H = 3.2 K = 3.4 D <sub>ISO</sub> = 1.8	539651-2	3.0	4.6	7.0	-											
963900-1	D	1	CuSn4	4																				
963898-3	E	3	CuSn4	1																				
963898-2	D	3	CuFe2	4																				
963898-1	D	3	CuSn4	4	0.2 - 0.5	1.15 - 1.6	E = 2.1 G = 2.1 D <sub>Dr</sub> = 0.8	H = 2.9 K = 2.9 D <sub>ISO</sub> = 1.4	539651-2	2.5	4.6	7.0	-											
2141882-3	B	2	CuSn4	1																				
2141882-2	A	2	CuFe2	4																				
964265-5	A	3	CuSn4	5																				
964265-3	D	3	CuSn4	1	0.2 - 0.35	1.15 - 1.6	E = 2.1 G = 2.1 D <sub>Dr</sub> = 0.8	H = 2.9 K = 2.9 D <sub>ISO</sub> = 1.4	539612-1 539663-2	2.5	4.4	6.4	-											
964265-2	C	3	CuFe2	4																				

- 1 CONTACT AREA SELECTIVE GOLD 0.8µm MIN. OVER NICKEL.  
WIRE CRIMP AREA ELECTRO TIN PLATED 1µm MIN. OVER NICKEL  
Kontaktzone selektiv vergoldet 0.8µm min. ueber Ni  
Drahtcrimpbereich gal. verzinkt 1µm min. ueber Ni
- 2 FOR DOUBLE- AND SINGLE TERMINATION fuer Doppel- und Einzelanschlaege
- 3 SINGLE WIRE SEAL TO BE SELECTED ACCORDING TO INSULATION-DIA ACCODING TO APPLICATION SPECIFICATION 114-18082  
Auswahl der Eubzeldichtung entsprechend dem Isolationsdurchmesser nach Verarbeitungsspezifikation 114-18082
- 4 TIN PLATED vorverzinkt
- 5 CONTACT AREA SELECTIVE SILVER 3µm MIN. OVER NICKEL.  
WIRE CRIMP AREA ELECTRO TIN PLATED 1.5µm MIN. OVER NICKEL  
Kontaktzone selektiv versilbert 3µm min. ueber Ni  
Drahtcrimpbereich gal. verzinkt 1.5µm min. ueber Ni
- 6 DIFFERENT TOOL DETAILS  
FUNCTION AND HANDLING WITH ALL DETAILS CONTINUOUSLY  
SUPPLY AFTER AVAILABILITY  
Verschiedene Werkzeugausfuehrungen  
Funktion und Handhabung bei allen Ausfuehrungen gleich  
Lieferung nach Verfuegbarkeit

SEE APPLICATION SPECIFICATION 114-18082  
siehe Verarbeitungsspezifikation 114-18082

THIS DRAWING IS A CONTROLLED DOCUMENT. OWN: T. Bertsch 11JUN1997, CHG: U. Muenk 11JUN1997, APVD: M. Bleicher 02MAR2011

TE Connectivity

PRODUCT GROUP DRAWING  
TAB 1.6 x 0.6 TYPE A  
Flachstecker 1.6 x 0.6 Typ A

SCALE 10:1 SHEET 2 OF 2

## X-ON Electronics

Largest Supplier of Electrical and Electronic Components

*Click to view similar products for [Automotive Connectors](#) category:*

*Click to view products by [TE Connectivity](#) manufacturer:*

Other Similar products are found below :

[003-018-000](#) [60403001](#) [60993906-B](#) [M902-2131](#) [M902-2161](#) [72.330.1035.1](#) [73.353.4028.0](#) [F119300-B](#) [F166900](#) [F258300-B](#) [F358300-B](#)  
[F407400](#) [F444110](#) [F487000](#) [F509500B-B](#) [827153-1](#) [8N1515-32-24P](#) [9-1326729-8](#) [925474-1](#) [928905-1](#) [964562-4](#) [968782-1](#) [GT17SA-8DS-](#)  
[HU](#) [98891-1012](#) [98947-1016](#) [12004147](#) [12004475-L](#) [12010290](#) [12010309-B](#) [12015454](#) [12020219-B](#) [12020308](#) [12041318-B](#) [12052225-L](#)  
[12052466](#) [12059125](#) [12064869](#) [12004327-B](#) [12010503-B](#) [12015308](#) [12015384](#) [12015909](#) [1-21030-1](#) [12041254](#) [12041318](#) [12047946-B](#)  
[12047957](#) [12047957-L](#) [12059473](#) [12066261](#)