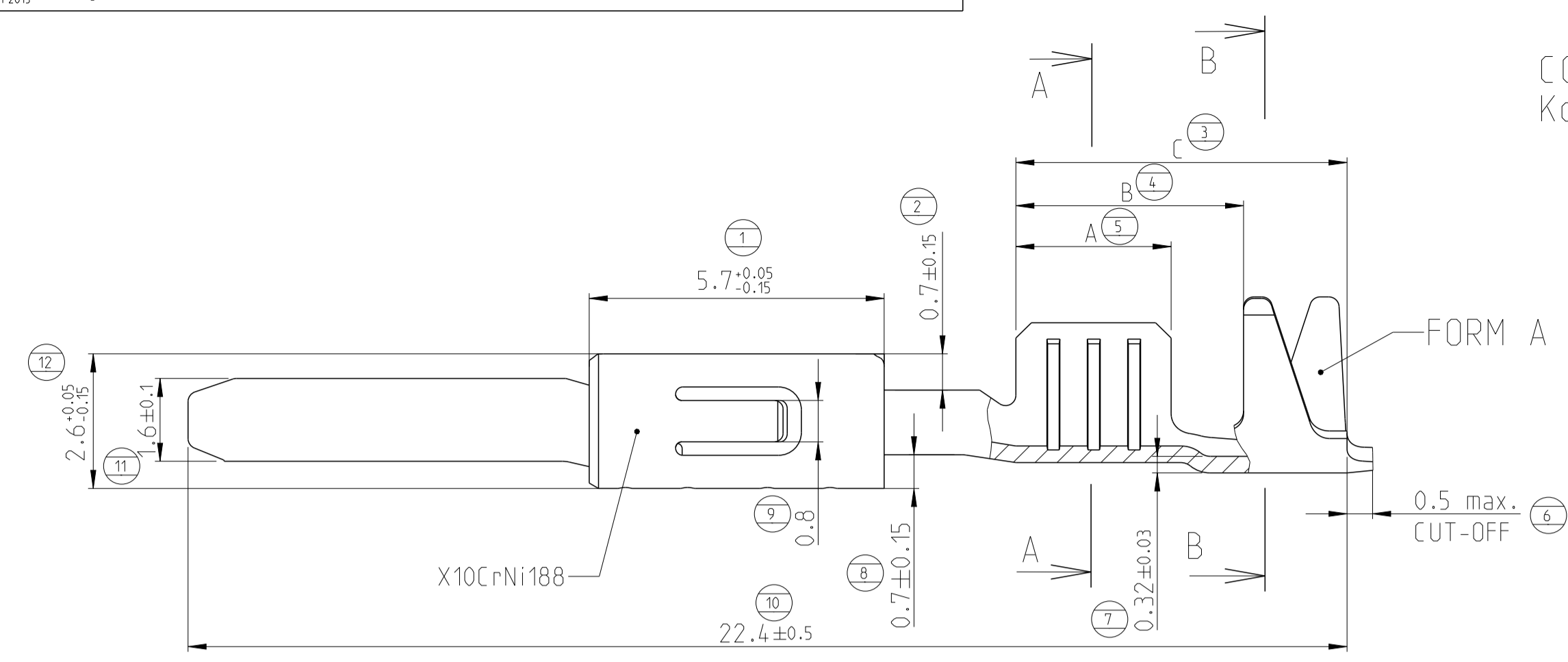
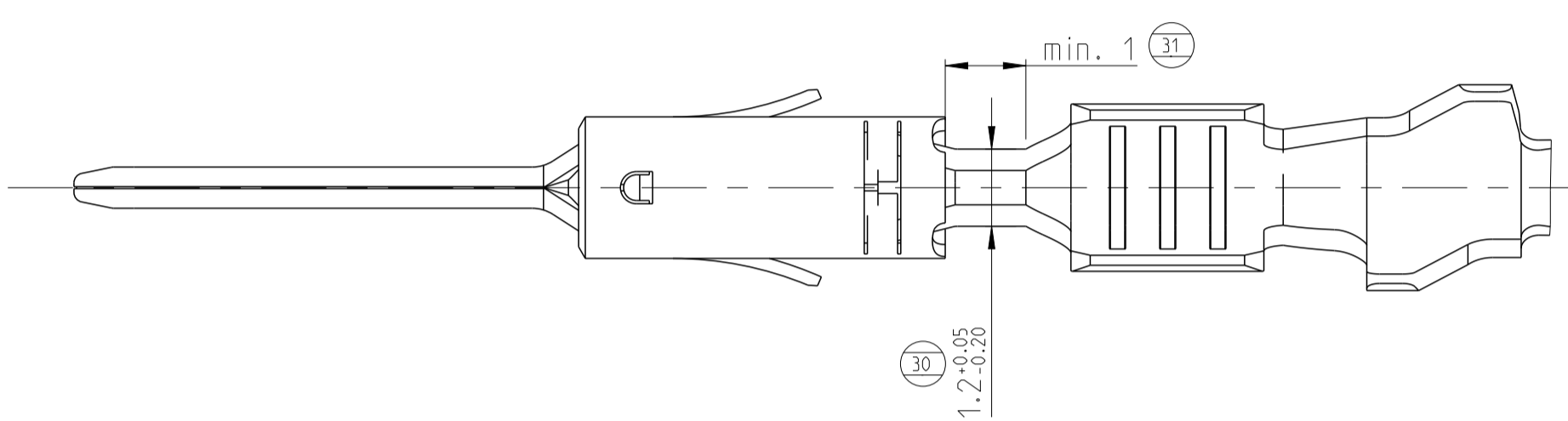
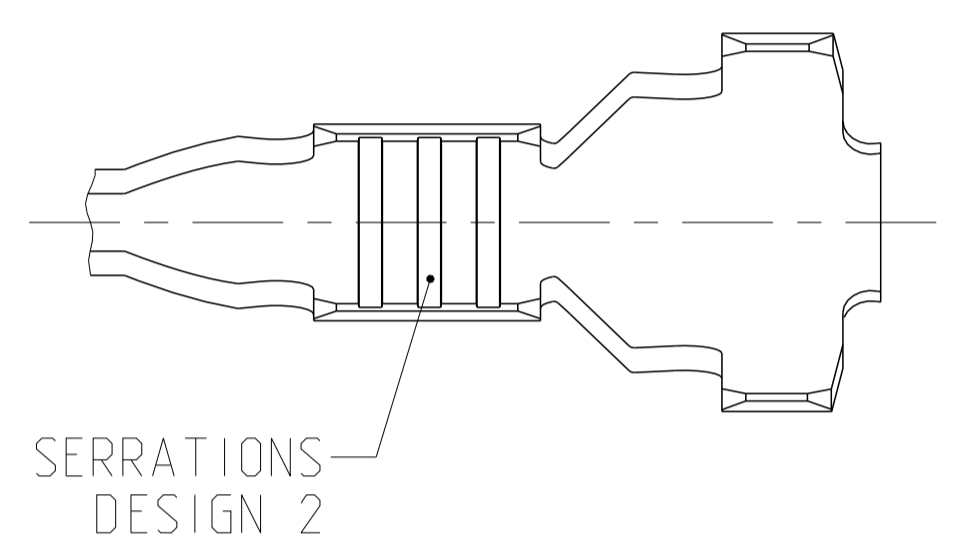
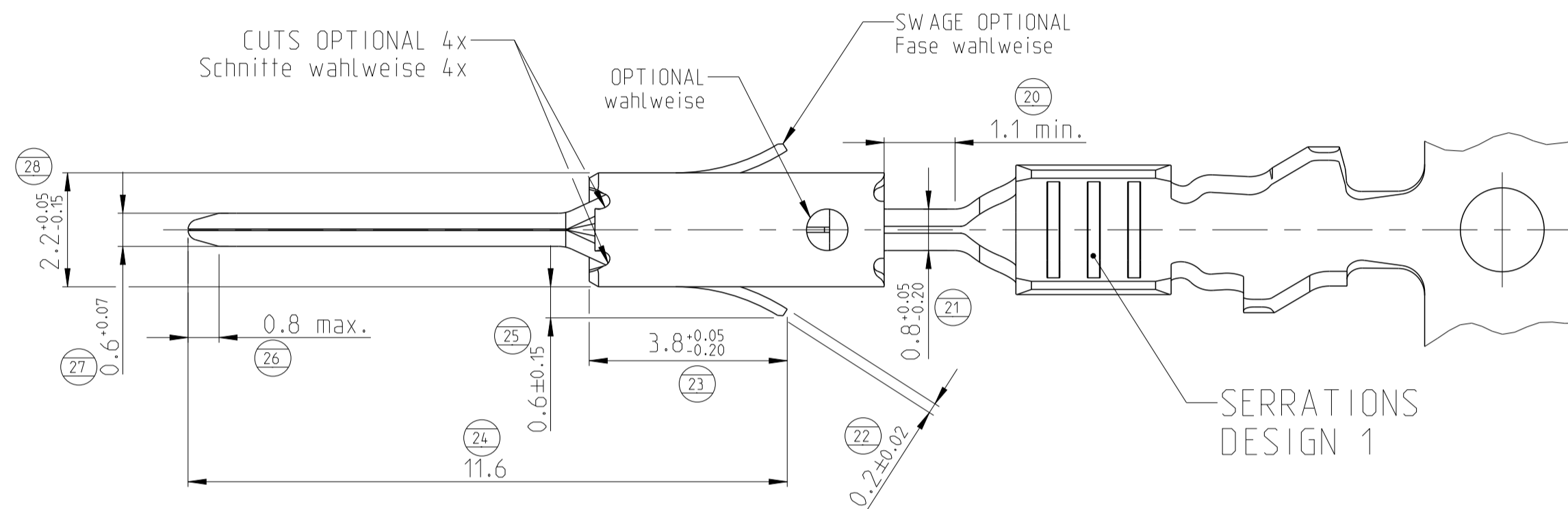
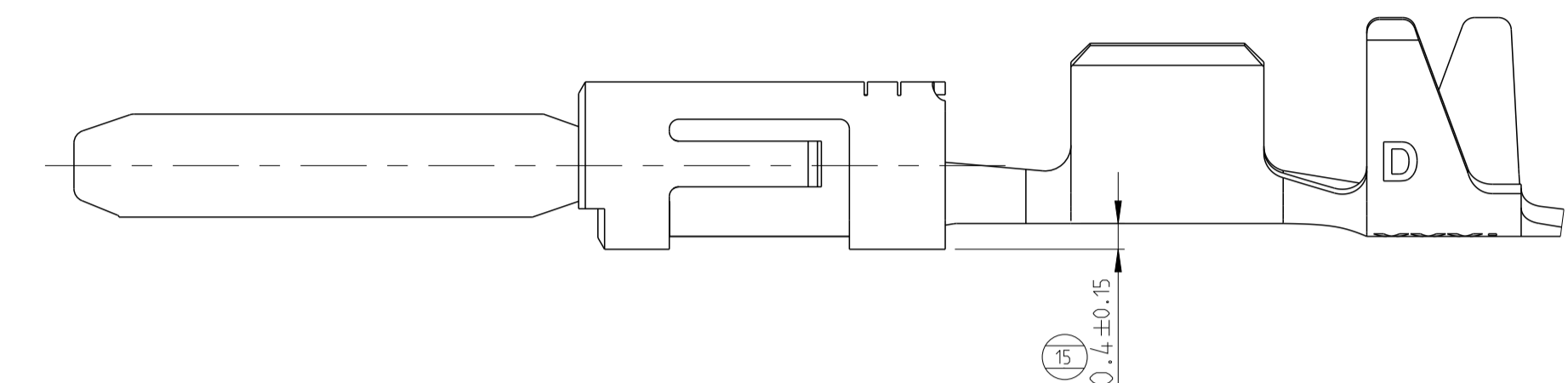


REVISIONS				
P.	LTN	DESCRIPTION	DATE	APPV
A18	ECR-16-006173		04MAY2016	MB JK
A19	ECR-16-009404		22SEP2016	MB JK
A20	ECR-17-005648		21OCT2017	MB PST
A21	ECR-18-014391		24SEP2018	SCK RP

CONTACTS FOR FLR-CABLE
 Kontakte fuer FLR-Leitung

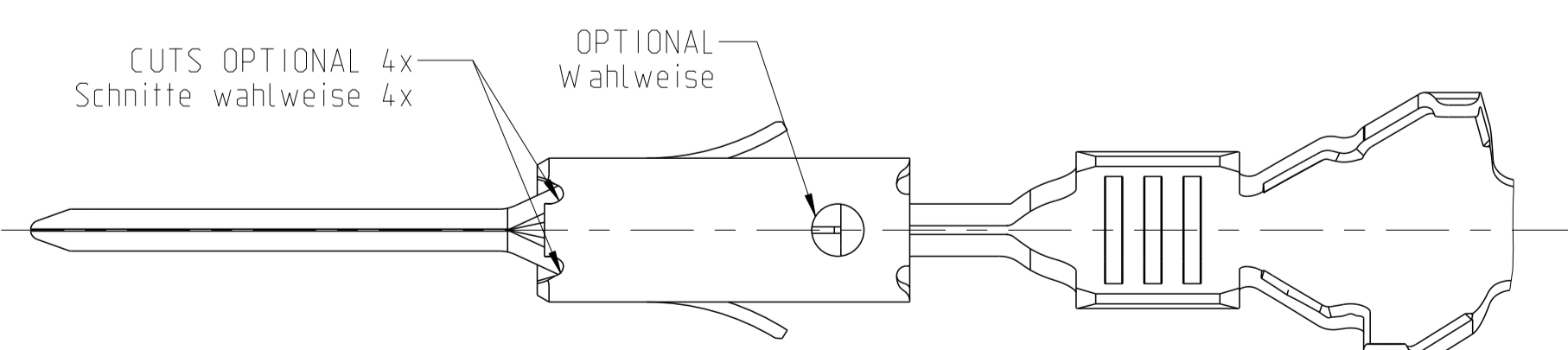
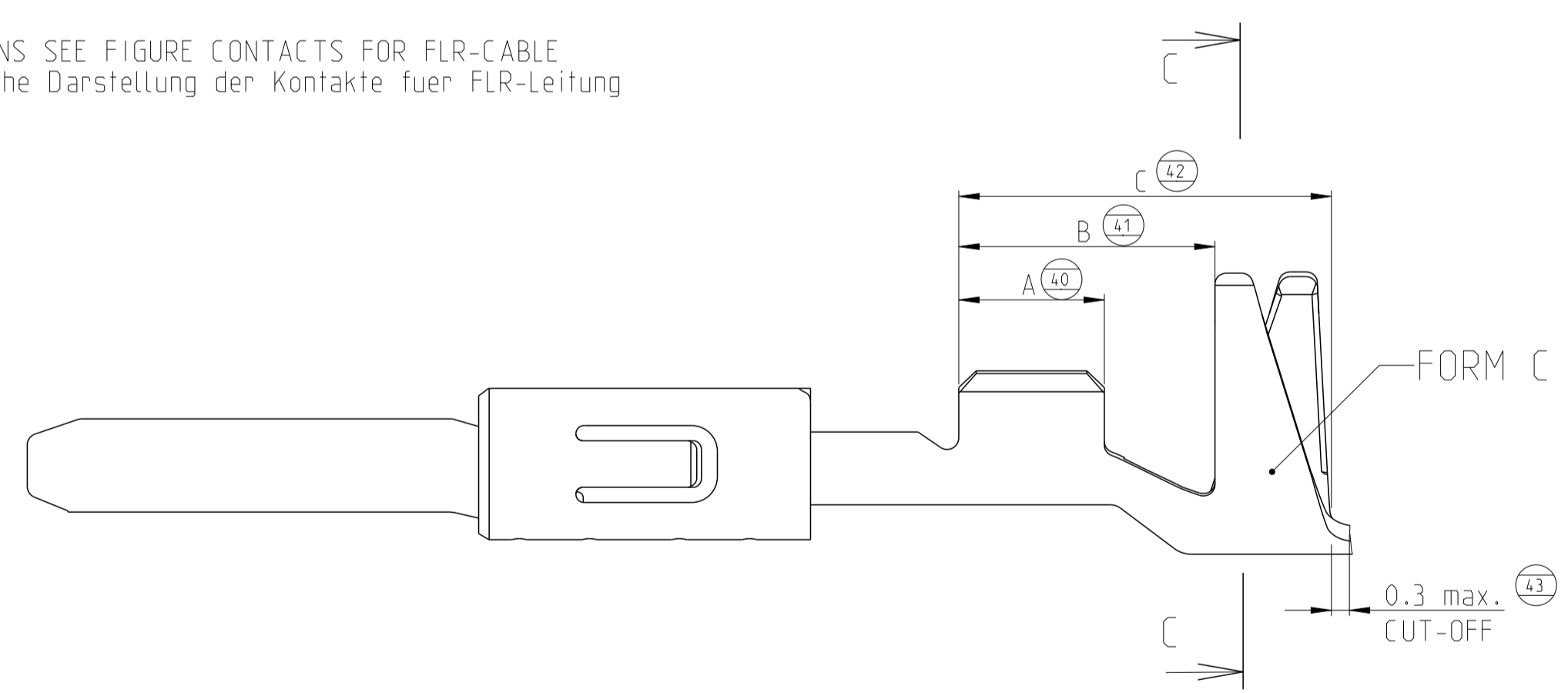


DESIGN 963898 / 963900 / 963904
 Ausfuehrung 963898 / 963900 / 963904

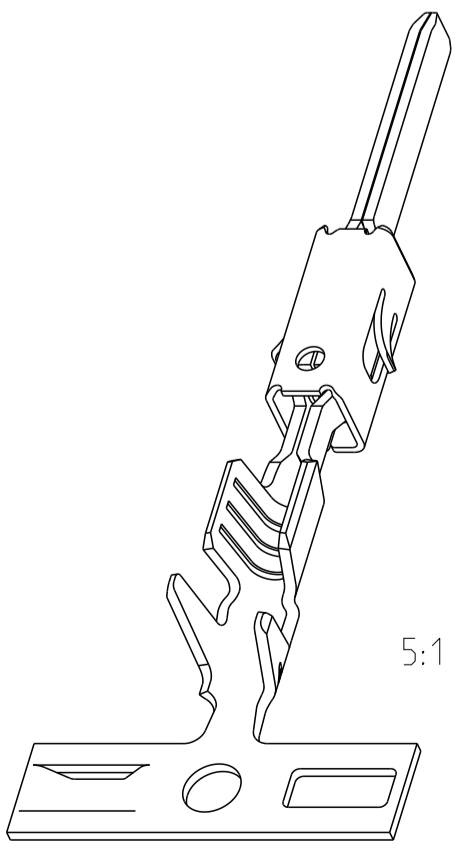
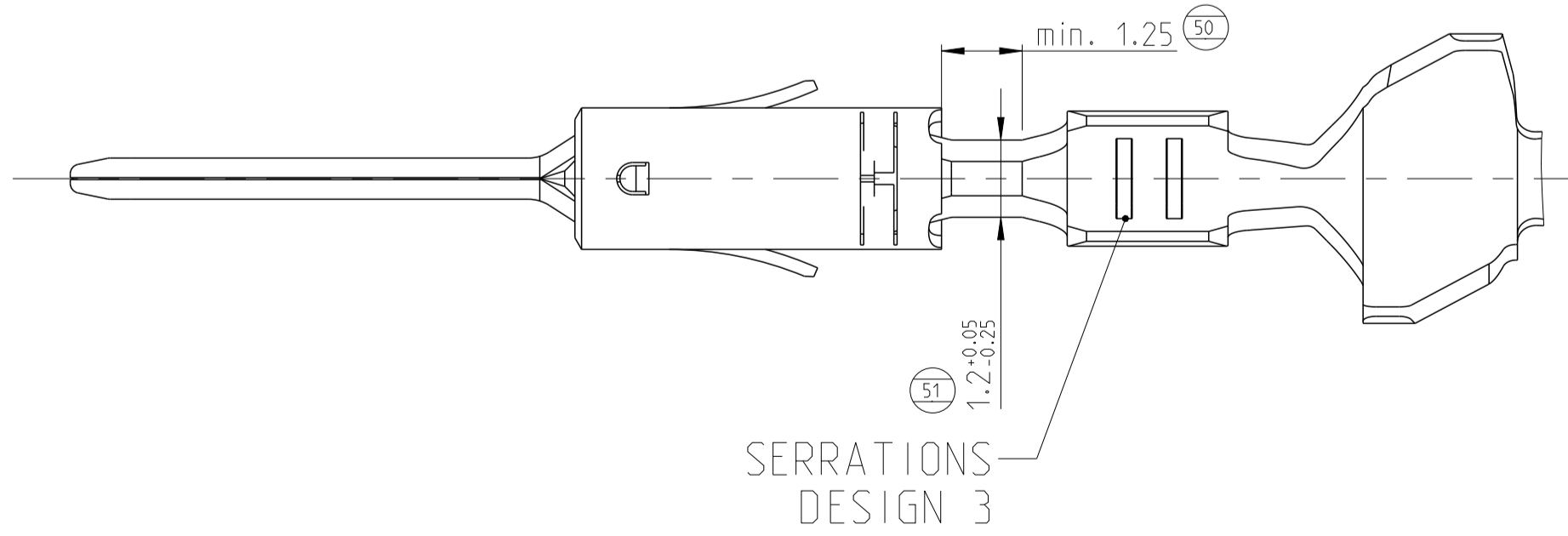
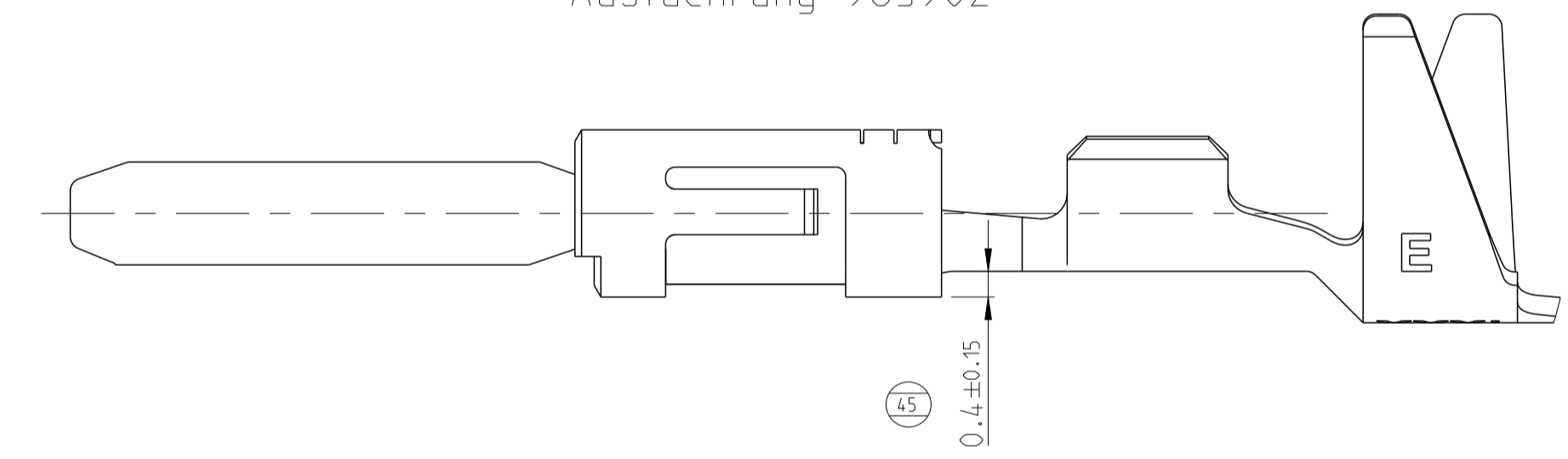


CONTACTS FOR SINGLE WIRE SEALING SYSTEM:
 FLR- AND FLK-CABLE
 Kontakte fuer Einzeldichtung-System:
 FLR- und FLK-Leitung

DIMENSIONS SEE FIGURE CONTACTS FOR FLR-CABLE
 Masse siehe Darstellung der Kontakte fuer FLR-Leitung

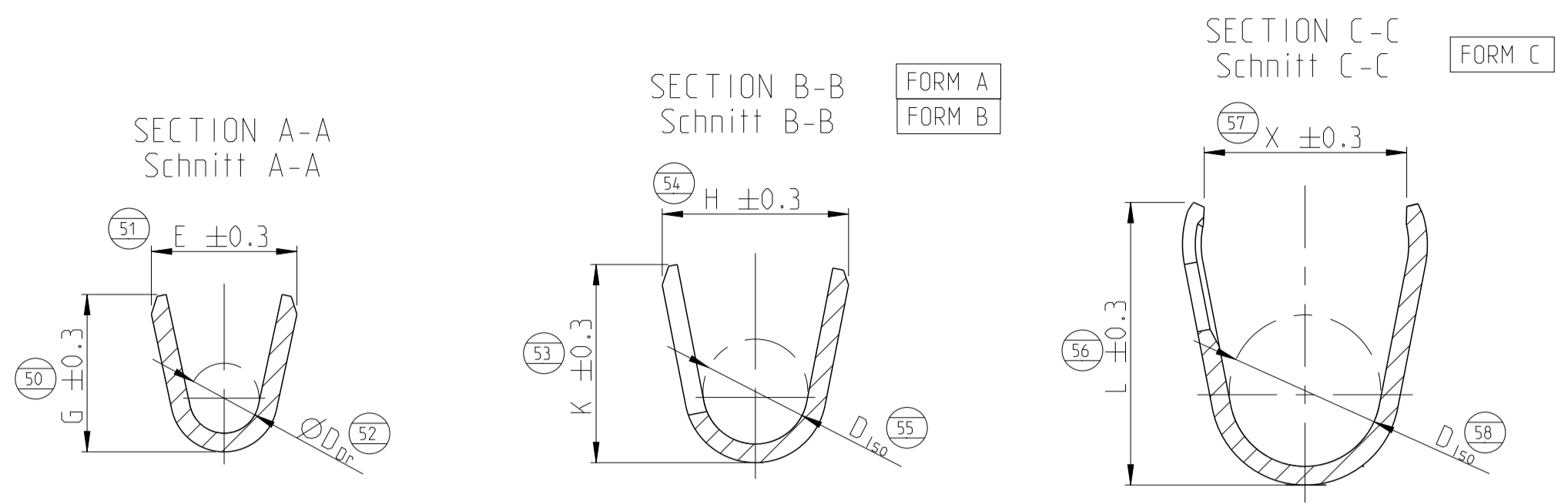


DESIGN 963902
 Ausfuehrung 963902



THIS DRAWING IS A CONTROLLED DOCUMENT.		OWN: T. Bersch 11JUN1997	TE Connectivity
DIMENSIONS: mm		CHK: U. Muenk 11JUN1997	
TOLERANCES UNLESS OTHERWISE SPECIFIED: ±0.2		APPV: M. Bleicher 02MAR2011	NAME: PRODUCT GROUP DRAWING
MATERIAL: SEE TABLE sheet 2		FINISH: SEE TABLE sheet 2	TAB 1.6 x 0.6
WEIGHT: -		SIZE: 114-18082	Flachstecker 1.6 x 0.6
CUSTOMER DRAWING		SCALE: 10:1	SHEET 1 OF 2
		REVISION: A21	

REVISIONS				
P.	LTN	DESCRIPTION	DATE	OWN APVD
-	-	SEE SHEET 1	-	-



SINGLE WIRE SEAL / Einzelichtungssystem	TE ORDER-NO.	REV	DESIGN SERRATIONS	MATERIAL	SURFACE	DGB	INSULATION	STRIP FORM WIRE CRIMP Drahtcrimp	INSUL. CRIMP Isolationscrimp	HAND TOOL	INSERT	DIMENSION mm				TE ORDER-NO.	EXTRACTION TOOL	CRIMP DATA AND CRIMP TOOL
												A	B	C	X			
UNSEALED / ungedichtet	1703278-5	A	1	CuSn4	5	1.5	1.95 - 2.4	E = 2.8 G = 3.0 D _{Dr} = 1.4	C	L = 4.9 D _{ISO} = 2.9	-	3.0	4.4	6.4	3.6	SEE APPLICATION SPECIFICATION 114-18082 siehe Verarbeitungsspezifikation 114-18082	539960-1	CRIMP DATA AND CRIMP TOOL Crimpdata und Crimpwerkzeuge
	1703278-2	A	1	CuFe2	4	0.5 - 1.0	1.4 - 2.1	E = 2.5 G = 2.7 D _{Dr} = 1.2	C	L = 4.8 D _{ISO} = 2.7	539612-1 539663-2	3.0	4.4	6.4	3.3			
	2-964269-2	A	1	CuFe2	5													
	964269-5	A	1	CuSn4	5													
	964269-3	E	1	CuSn4	1	0.5 - 1.0	1.4 - 2.1	E = 2.6 G = 2.8 D _{Dr} = 1.2	A	H = 4.5 K = 4.8 D _{ISO} = 2.7	539651-2	3.0	4.6	7.0	-			
	964269-2	D	1	CuFe2	4													
	963904-3	G	1	CuSn4	1													
	963904-2	F	1	CuFe2	4	0.35	1.15 - 1.6	E = 2.4 G = 2.3 D _{Dr} = 1.0	C	L = 4.8 D _{ISO} = 2.6	539663-2	2.5	4.4	6.4	3.3			
	963904-1	F	1	CuSn4	4													
	2141884-5	A	2	CuSn4	5													
	2141884-3	B	2	CuSn4	1	0.2 - 0.5	1.15 - 1.6	E = 2.1 G = 2.1 D _{Dr} = 0.8	A	H = 4.5 K = 4.8 D _{ISO} = 2.7	539612-1 539663-2	2.5	4.4	6.4	3.3			
	2-2141884-2	A	2	CuFe2	5													
	2141884-2	A	2	CuFe2	4													
	969028-5	A	3	CuSn4	5	0.2 - 0.5	1.15 - 1.6	E = 2.1 G = 2.1 D _{Dr} = 0.8	C	X = 4.3 L = 4.8 D _{ISO} = 2.6	539651-2	2.5	4.6	7.0	-			
	969028-3	E	3	CuSn4	1													
	969028-2	D	3	CuFe2	4													
	963902-3	E	3	CuSn4	1	0.2 - 0.5	1.15 - 1.6	E = 2.1 G = 2.1 D _{Dr} = 0.8	A	H = 4.5 K = 4.8 D _{ISO} = 2.7	539633-2	2.5	4.4	6.4	-			
	963902-2	D	3	CuFe2	4													
963902-1	D	3	CuSn4	4														
UNSEALED / ungedichtet	1241846-5	A	1	CuSn4	5	1.5	2.2 - 2.4	E = 2.8 G = 3.0 D _{Dr} = 1.4	A	H = 3.5 K = 3.9 D _{ISO} = 1.9	169400-0 539635-1	-	3.0	4.4	6.4	-		
	1241846-3	B	1	CuSn4	1													
	1241846-2	A	1	CuFe2	4													
	1241846-1	A	1	CuSn4	4	0.5 - 1.0	1.4 - 2.1	E = 2.5 G = 2.8 D _{Dr} = 1.2	B	H = 3.7 K = 3.9 D _{ISO} = 1.8	-	3.0	4.6	6.2	-			
	969079-3	C	1	CuSn4	1													
	969079-2	B	1	CuFe2	4													
	964267-4	A	1	CuSn4	5	0.5 - 1.0	1.4 - 2.1	E = 2.5 G = 2.7 D _{Dr} = 1.2	A	H = 3.2 K = 3.4 D _{ISO} = 1.8	539612-1 539663-2	3.0	4.4	6.4	-			
	964267-3	D	1	CuSn4	1													
	964267-2	C	1	CuFe2	4													
	964267-1	C	1	CuSn4	4	0.5 - 1.0	1.4 - 2.1	E = 2.6 G = 2.8 D _{Dr} = 1.2	A	H = 3.2 K = 3.4 D _{ISO} = 1.8	539651-2	3.0	4.6	7.0	-			
	963900-4	E	1	CuSn4	1													
	963900-3	E	1	CuSn4	1													
	963900-2	D	1	CuFe2	4	0.2 - 0.5	1.15 - 1.6	E = 2.1 G = 2.1 D _{Dr} = 0.8	A	H = 2.9 K = 2.9 D _{ISO} = 1.4	539612-1 539663-2	2.5	4.6	7.0	-			
	963900-1	D	1	CuSn4	4													
	963898-3	E	3	CuSn4	1													
	963898-2	D	3	CuFe2	4	0.2 - 0.35	1.15 - 1.6	E = 2.4 G = 2.3 D _{Dr} = 1.0	A	H = 2.9 K = 2.9 D _{ISO} = 1.4	539633-2	2.5	4.4	6.4	-			
	963898-1	D	3	CuSn4	4													
	2141882-3	B	2	CuSn4	1													
2141882-2	A	2	CuFe2	4	0.2 - 0.35	1.15 - 1.6	E = 2.1 G = 2.1 D _{Dr} = 0.8	A	H = 2.9 K = 2.9 D _{ISO} = 1.4	539612-1 539663-2	2.5	4.4	6.4	-				
964265-5	A	3	CuSn4	5														
964265-3	D	3	CuSn4	1														
964265-2	C	3	CuFe2	4														

- 1 CONTACT AREA SELECTIVE GOLD 0.8µm MIN. OVER NICKEL.
WIRE CRIMP AREA ELECTRO TIN PLATED 1µm MIN. OVER NICKEL
Kontaktzone selectiv vergoldet 0.8µm min. ueber Ni
Drahtcrimpbereich gal. verzinkt 1µm min. ueber Ni
- 2 FOR DOUBLE- AND SINGLE TERMINATION
fuer Doppel- und Einzelanschlage
- 3 SINGLE WIRE SEAL TO BE SELECTED ACCORDING TO INSULATION-DIA
ACCORDING TO APPLICATION SPECIFICATION 114-18082
Auswahl der Eubzeldichtung entsprechend dem Isolationsdurchmesser nach
Verarbeitungsspezifikation 114-18082
- 4 TIN PLATED
vorverzinkt
- 5 CONTACT AREA SELECTIVE SILVER 3µm MIN. OVER NICKEL.
WIRE CRIMP AREA ELECTRO TIN PLATED 1.5µm MIN. OVER NICKEL
Kontaktzone selectiv versilbert 3µm min. ueber Ni
Drahtcrimpbereich gal. verzinkt 1.5µm min. ueber Ni
- 6 DIFFERENT TOOL DETAILS
FUNCTION AND HANDLING WITH ALL DETAILS CONTINUOUSLY
SUPPLY AFTER AVAILABILITY
Verschiedene Werkzeugausfuehrungen
Funktion und Handhabung bei allen Ausfuehrungen gleich
Lieferung nach Verfuegbarkeit

THIS DRAWING IS A CONTROLLED DOCUMENT.		OWN T. Bertsch 11JUN1997	TE Connectivity PRODUCT GROUP DRAWING TAB 1.6 x 0.6 TYPE A Flachsstecker 1.6 x 0.6 Typ A	
DIMENSIONS: mm		CHK U. Muenk 11JUN1997		
TOLERANCES UNLESS OTHERWISE SPECIFIED: ±0.2		APVD M. Bleicher 02MAR2011	NAME	
MATERIAL SEE TABLE sheet 2 siehe Tabelle		FINISH SEE TABLE sheet 2 siehe Tabelle	SIZE A 1	RESTRICTED TO
CUSTOMER DRAWING		WEIGHT -	CAGE CODE 00779	DRAWING NO. 114-18082
SCALE 10:1		SHEET 2 OF 2		REV A21

X-ON Electronics

Largest Supplier of Electrical and Electronic Components

Click to view similar products for [Automotive Connectors](#) category:

Click to view products by [TE Connectivity](#) manufacturer:

Other Similar products are found below :

[003-018-000](#) [60993906-B](#) [72.330.1035.1](#) [776880-1](#) [827153-1](#) [9-1326729-8](#) [9-221607-5](#) [925474-1](#) [928905-1](#) [964562-4](#) [968782-1](#) [12004468](#)
[12004475-L](#) [12004483](#) [12052466](#) [12066163](#) [12015909](#) [12077753](#) [1-21030-1](#) [12047957](#) [12047958](#) [12084688](#) [12185550](#) [12336-12](#) [1-](#)
[326211-1](#) [13681974](#) [13688972](#) [13755420](#) [13779834](#) [13783086](#) [13843152](#) [13522378](#) [13581967](#) [13669624](#) [13675513](#) [13753471](#) [13946876](#)
[13953457](#) [13955963](#) [13964573](#) [13971791](#) [13790534-L](#) [13797473](#) [13805590](#) [13888202](#) [1428188-1](#) [1437287-3](#) [1428188-2](#) [DS07-19S-5020](#)
[1456983-5](#)