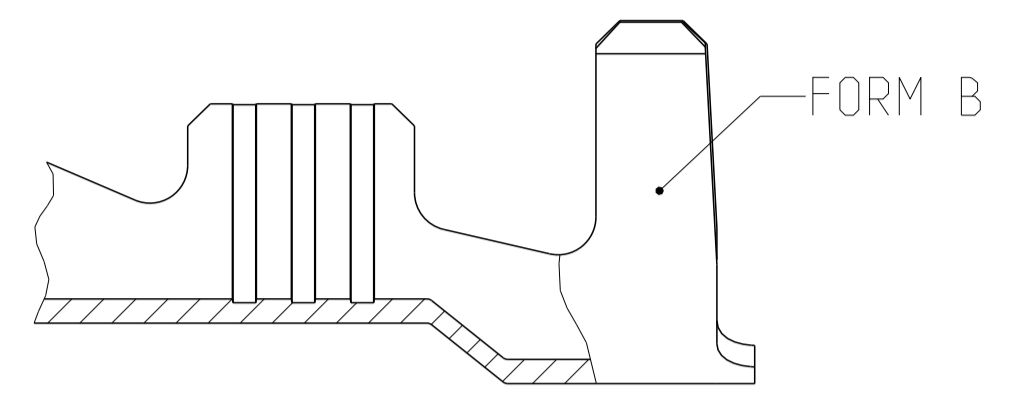
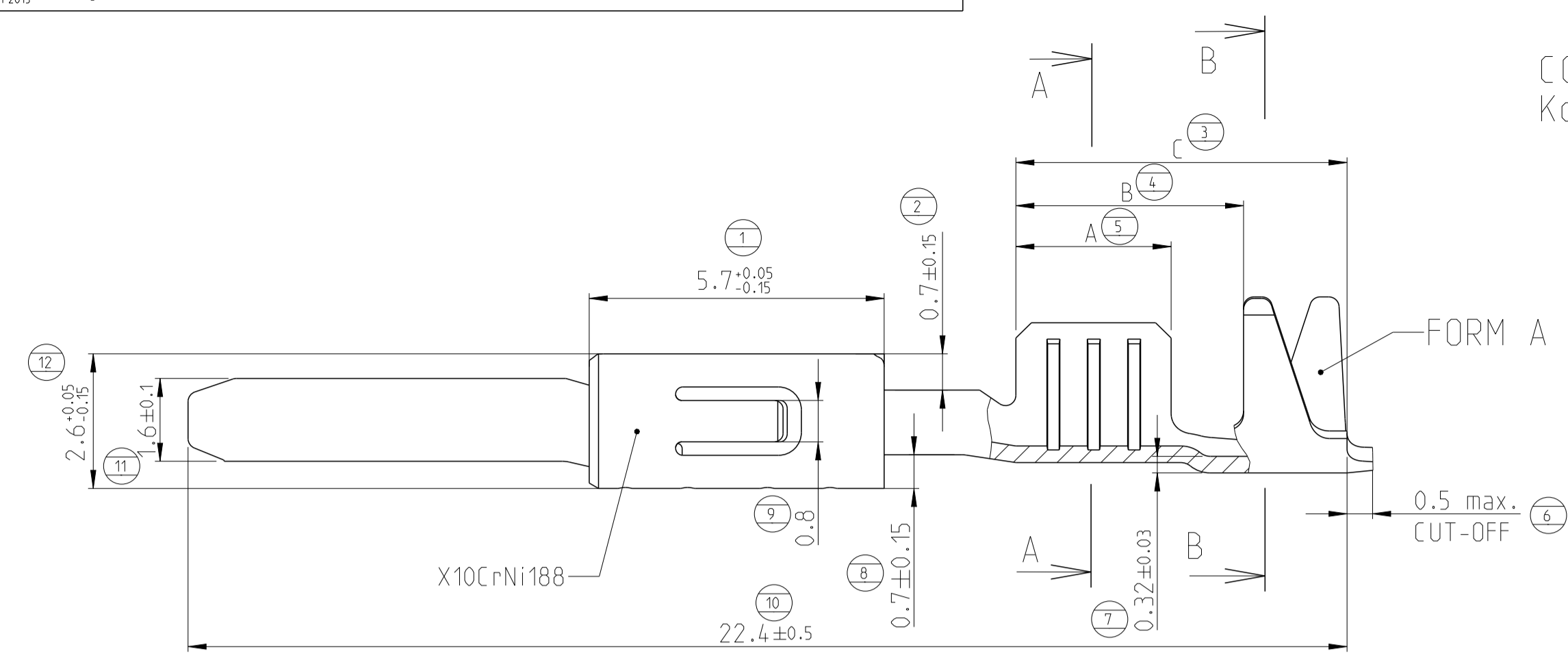
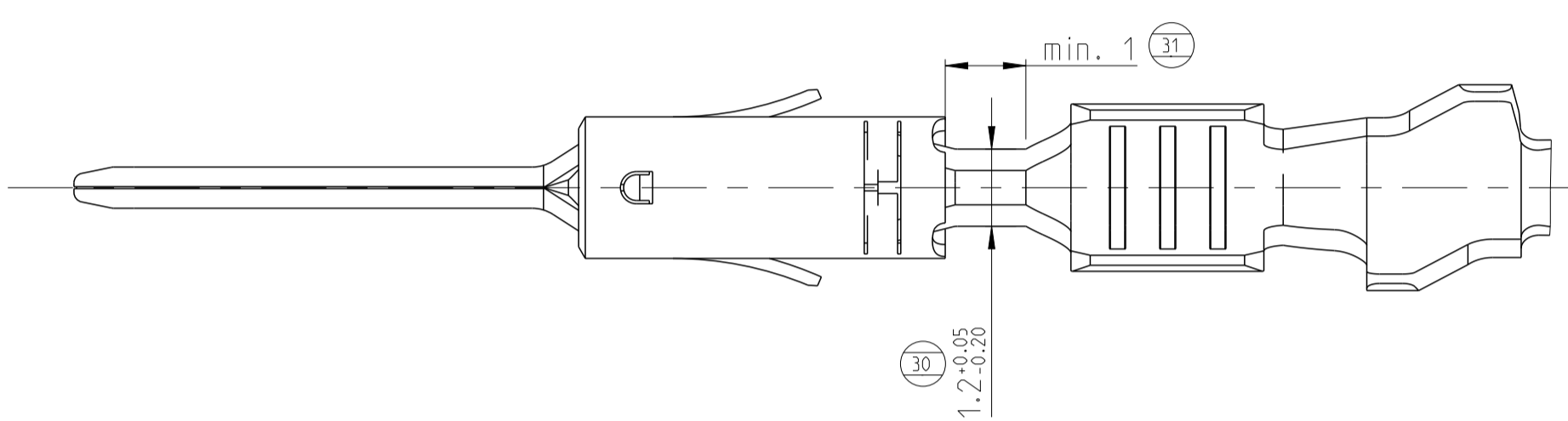
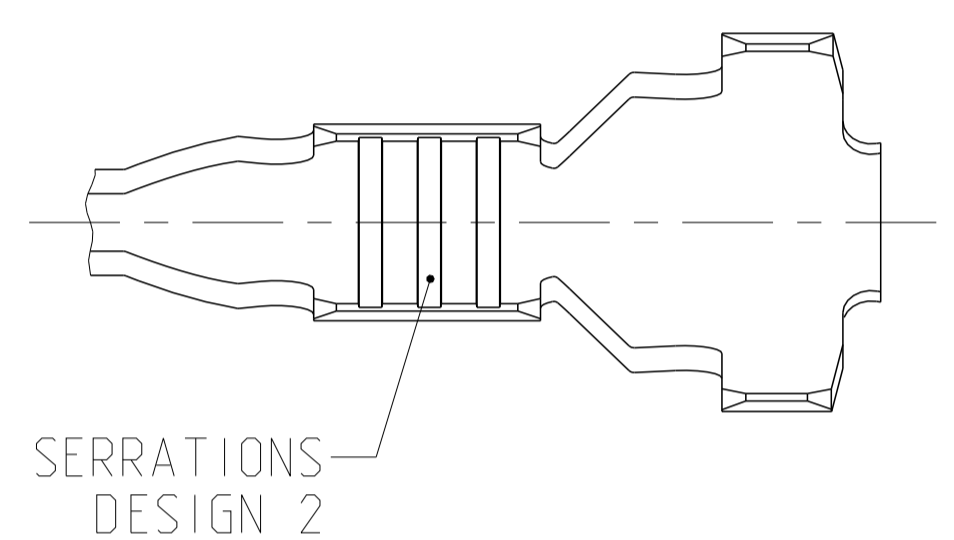
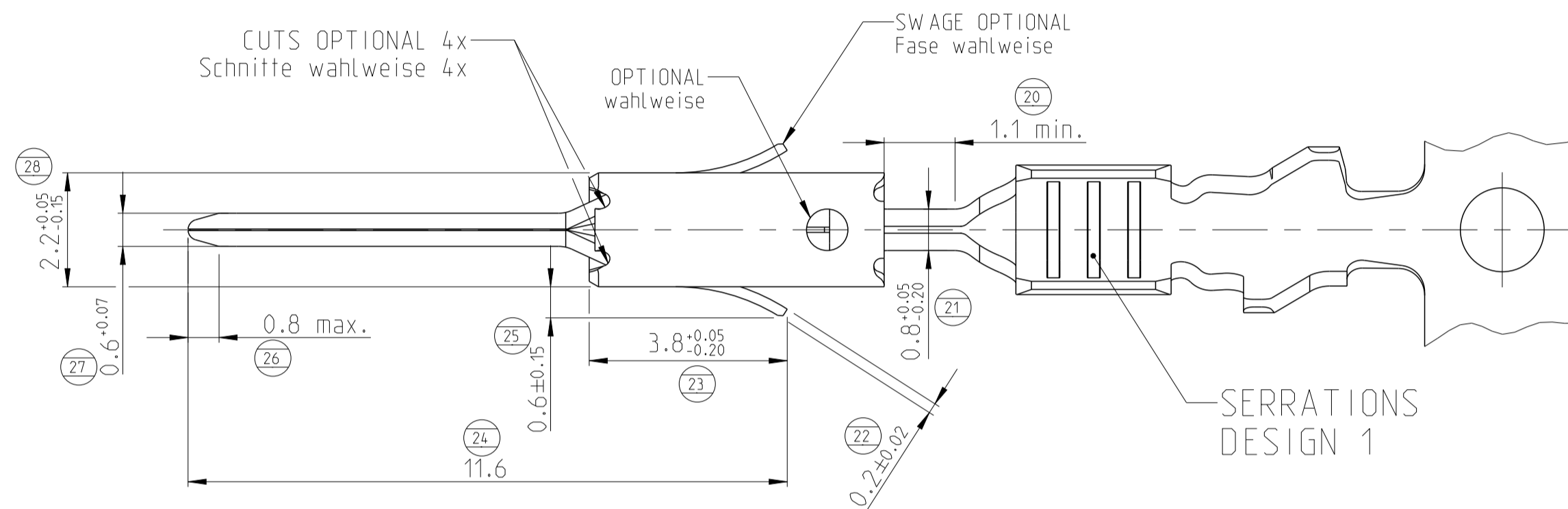
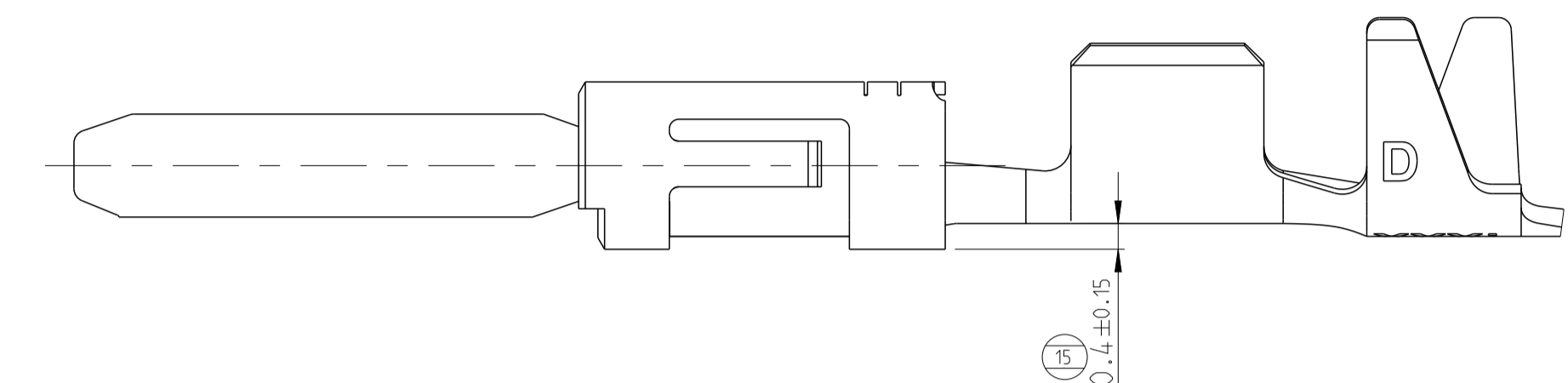


REVISIONS				
P.	LTN	DESCRIPTION	DATE	APPROV
A18	ECR-16-006173		04MAY2016	MB JK
A19	ECR-16-009404		22SEP2016	MB JK
A20	ECR-17-005648		21OCT2017	MB PST
A21	ECR-18-014391		24SEP2018	SCK RP

CONTACTS FOR FLR-CABLE  
 Kontakte fuer FLR-Leitung

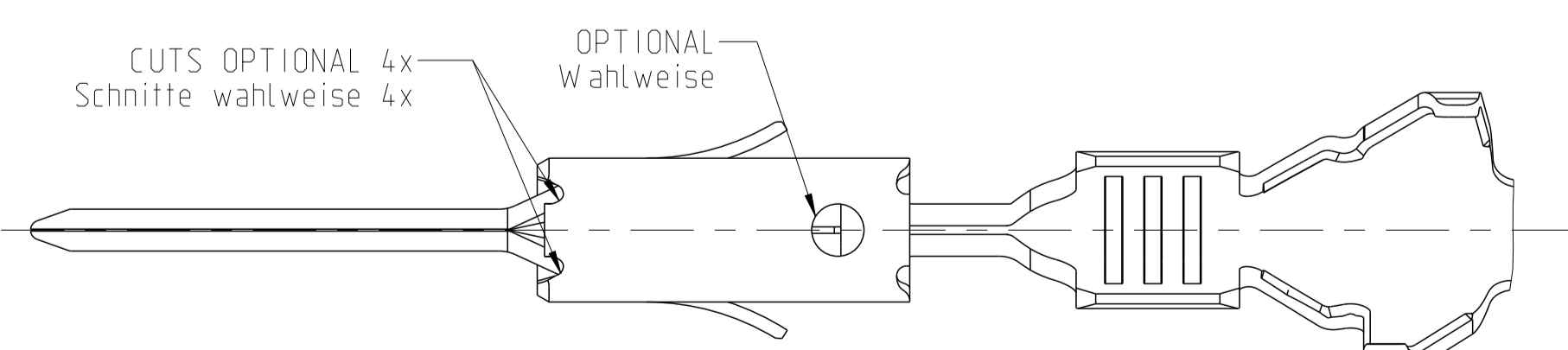
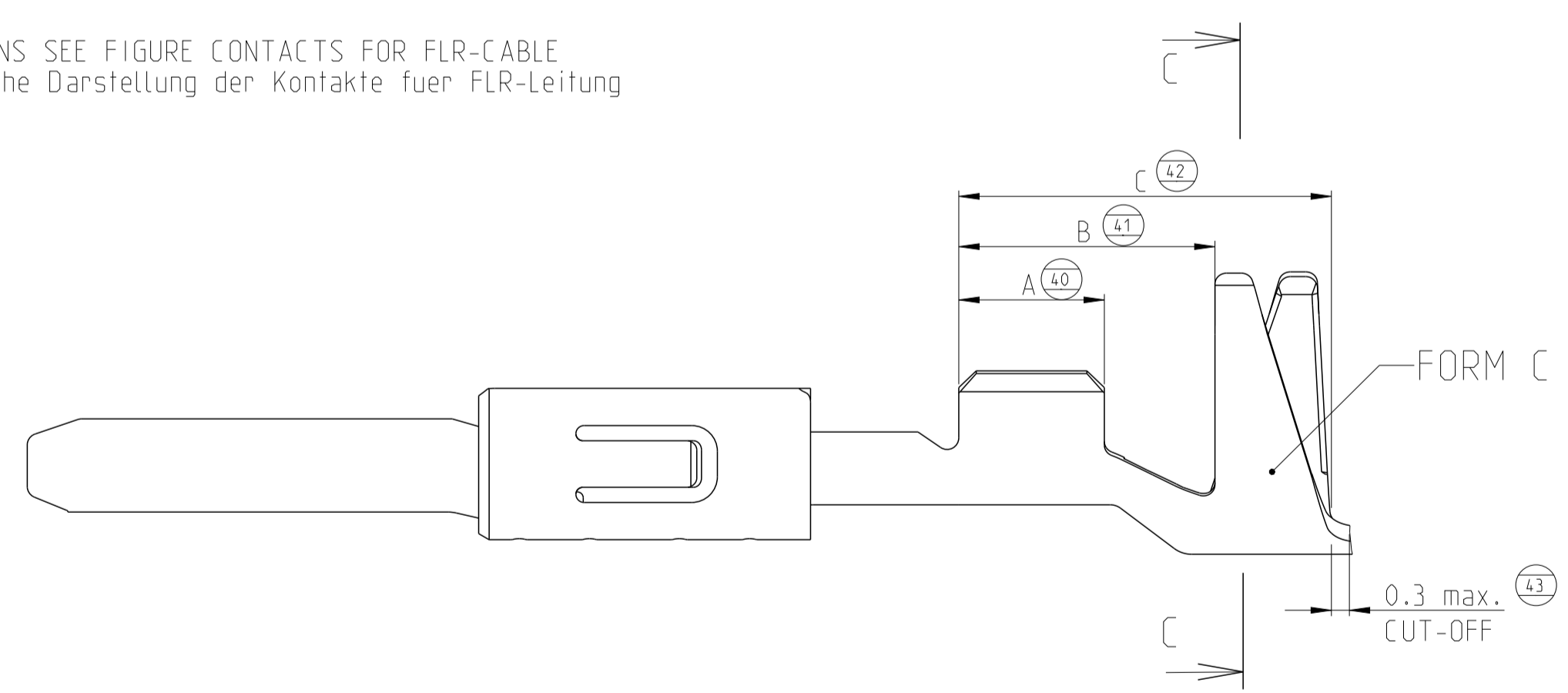


DESIGN 963898 / 963900 / 963904  
 Ausfuehrung 963898 / 963900 / 963904

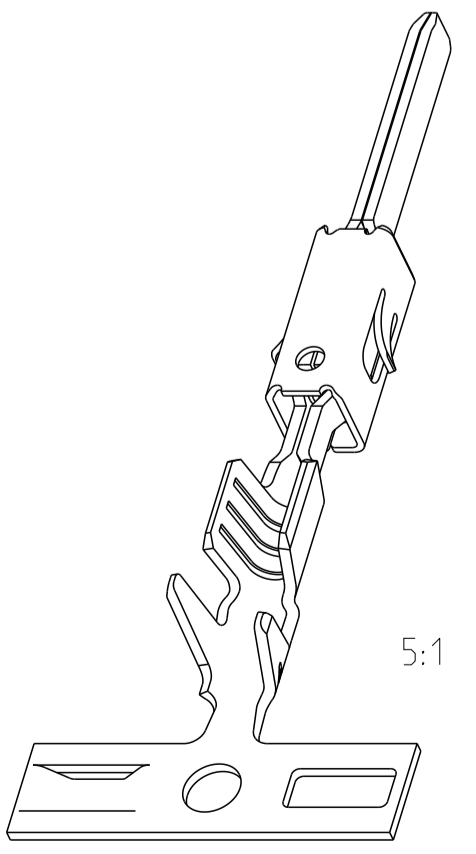
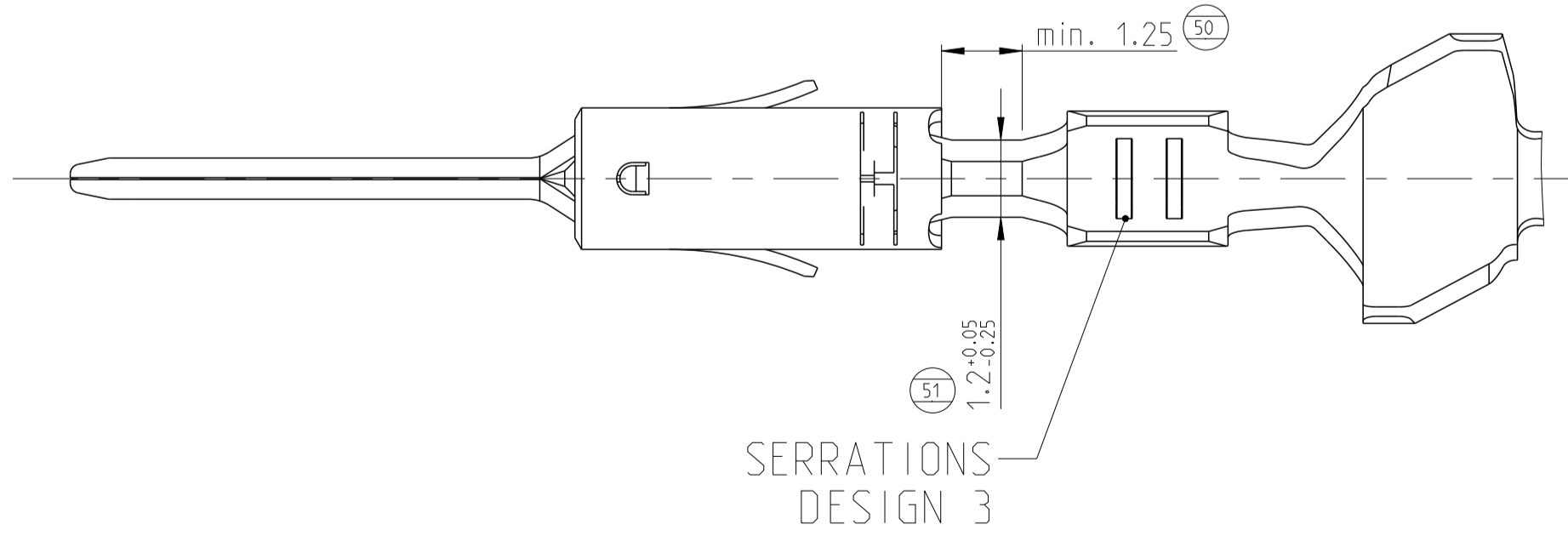
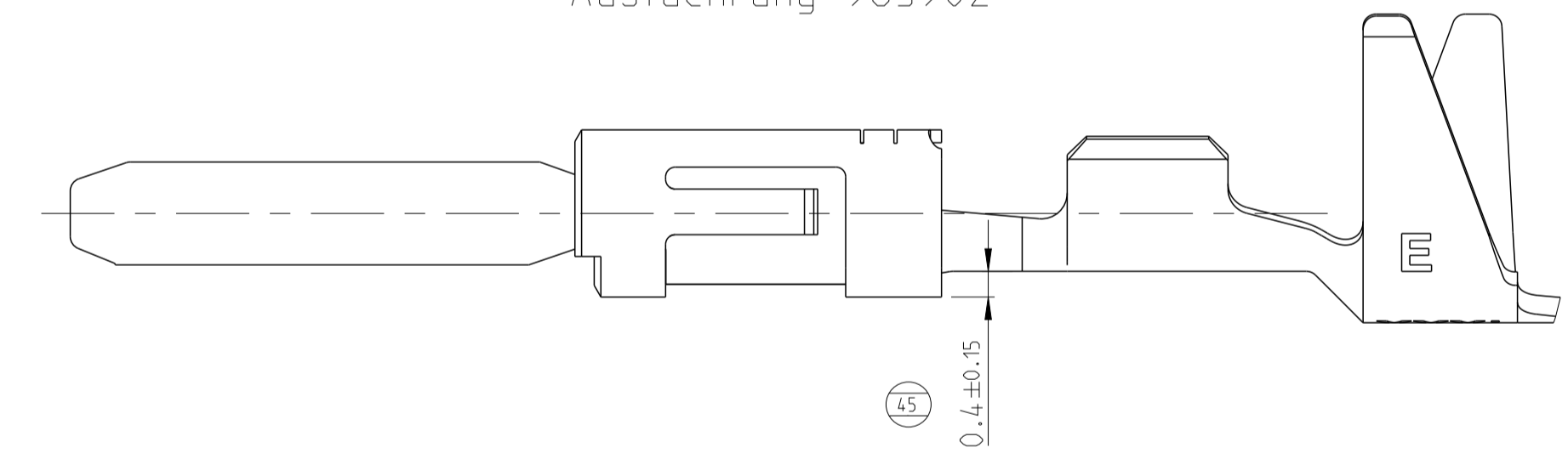


CONTACTS FOR SINGLE WIRE SEALING SYSTEM:  
 FLR- AND FLK-CABLE  
 Kontakte fuer Einzeldichtung-System:  
 FLR- und FLK-Leitung

DIMENSIONS SEE FIGURE CONTACTS FOR FLR-CABLE  
 Masse siehe Darstellung der Kontakte fuer FLR-Leitung

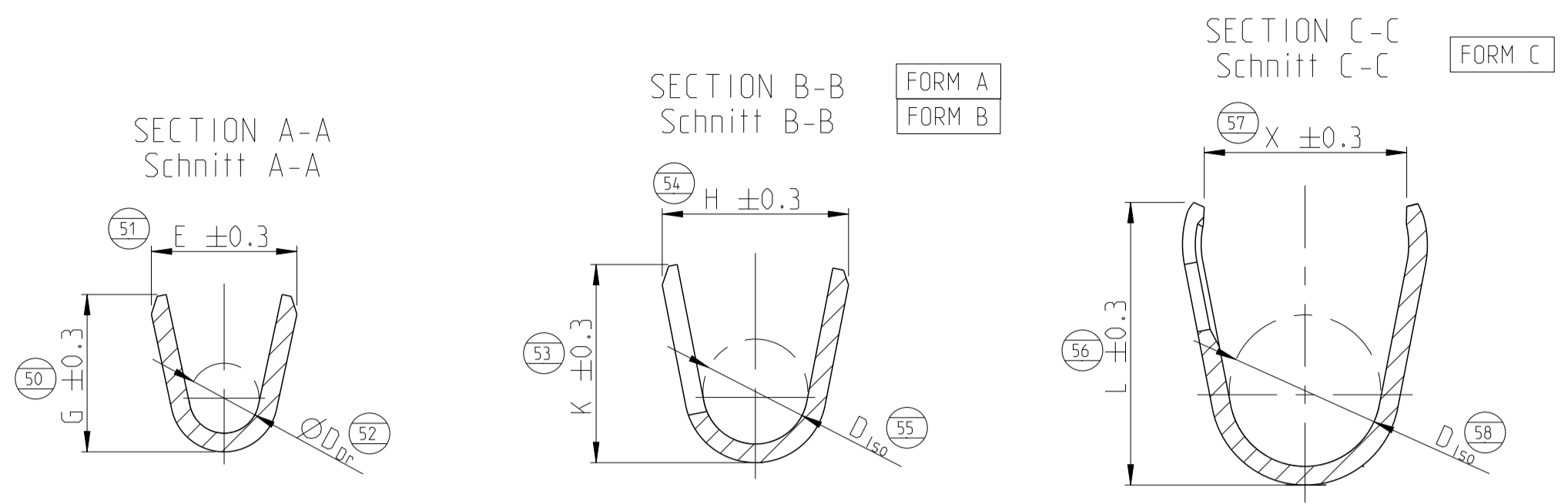


DESIGN 963902  
 Ausfuehrung 963902



THIS DRAWING IS A CONTROLLED DOCUMENT.		OWN T. Bertsch 11JUN1997	APPROV U. Muenk 11JUN1997	TE Connectivity	
DIMENSIONS: mm	TOLERANCES UNLESS OTHERWISE SPECIFIED: ±0.2	APPROV M. Bleicher 02MAR2011	PRODUCT SPEC 108-18331	NAME PRODUCT GROUP DRAWING TAB 1.6 x 0.6 Flachstecker 1.6 x 0.6	
MATERIAL SEE TABLE sheet 2 siehe Tabelle	FINISH SEE TABLE sheet 2 siehe Tabelle	SIZE 114-18082	APPLICATION SPEC 114-18082	RESTRICTED TO A1	SCALE 10:1
CUSTOMER DRAWING		WEIGHT -	CAGE CODE 00779	DRAWING NO. C=1355055	SHEET 1 OF 2

REVISIONS				
P.	LTN	DESCRIPTION	DATE	APPV
-	-	SEE SHEET 1	-	-



- 1 CONTACT AREA SELECTIVE GOLD 0.8µm MIN. OVER NICKEL.  
WIRE CRIMP AREA ELECTRO TIN PLATED 1µm MIN. OVER NICKEL  
Kontaktzone selectiv vergoldet 0.8µm min. ueber Ni  
Drahtcrimpbereich gal. verzinkt 1µm min. ueber Ni
- 2 FOR DOUBLE- AND SINGLE TERMINATION  
fuer Doppel- und Einzelanschlage
- 3 SINGLE WIRE SEAL TO BE SELECTED ACCORDING TO INSULATION-DIA  
ACCORDING TO APPLICATION SPECIFICATION 114-18082  
Auswahl der Eubzeldichtung entsprechend dem Isolationsdurchmesser nach  
Verarbeitungsspezifikation 114-18082
- 4 TIN PLATED  
vorverzinkt
- 5 CONTACT AREA SELECTIVE SILVER 3µm MIN. OVER NICKEL.  
WIRE CRIMP AREA ELECTRO TIN PLATED 1.5µm MIN. OVER NICKEL  
Kontaktzone selectiv versilbert 3µm min. ueber Ni  
Drahtcrimpbereich gal. verzinkt 1.5µm min. ueber Ni
- 6 DIFFERENT TOOL DETAILS  
FUNCTION AND HANDLING WITH ALL DETAILS CONTINUOUSLY  
SUPPLY AFTER AVAILABILITY  
Verschiedene Werkzeugausfuehrungen  
Funktion und Handhabung bei allen Ausfuehrungen gleich  
Lieferung nach Verfuegbarkeit

SINGLE WIRE SEAL / Einzelichtungssystem	TE ORDER-NO.	REV	DESIGN SERRATIONS	MATERIAL	SURFACE	DGB mm <sup>2</sup>	INSULATION Isolationsø	SEE / siehe SECTION A-A Schnitt A-A	SEE / siehe SECTION B-B / C-C Schnitt B-B / C-C	HAND TOOL	INSERT	A	B	C	X	TE ORDER-NO.	CRIMP DATA AND CRIMP TOOL					
								E = G = D <sub>Dr</sub> =	L = D <sub>ISO</sub> =									H = K = D <sub>ISO</sub> =	H = K = D <sub>ISO</sub> =			
UNSEALED / ungedichtet	1703278-5	A	1	CuSn4	5	1.5	1.95 - 2.4	E = 2.8 G = 3.0 D <sub>Dr</sub> = 1.4	C L = 4.9 D <sub>ISO</sub> = 2.9	169400-0 539635-1	-	3.0	4.4	6.4	3.6	539960-1	SEE APPLICATION SPECIFICATION 114-18082 siehe Verarbeitungsspezifikation 114-18082					
	1703278-2	A	1	CuFe2	4	0.5 - 1.0	1.4 - 2.1	E = 2.5 G = 2.7 D <sub>Dr</sub> = 1.2	C L = 4.8 D <sub>ISO</sub> = 2.7									539612-1 539663-2	3.0	4.4	6.4	3.3
	2-964269-2	A	1	CuFe2	5																	
	964269-5	A	1	CuSn4	5																	
	964269-3	E	1	CuSn4	1	0.5 - 1.0	1.4 - 2.1	E = 2.6 G = 2.8 D <sub>Dr</sub> = 1.2	A H = 4.5 K = 4.8 D <sub>ISO</sub> = 2.7									539651-2	3.0	4.6	7.0	-
	964269-2	D	1	CuFe2	4																	
	963904-3	G	1	CuSn4	1																	
	963904-2	F	1	CuFe2	4	0.35	1.15 - 1.6	E = 2.4 G = 2.3 D <sub>Dr</sub> = 1.0	C L = 4.8 D <sub>ISO</sub> = 2.6									539663-2	2.5	4.4	6.4	3.3
	963904-1	F	1	CuSn4	4																	
	2141884-5	A	2	CuSn4	5																	
	2141884-3	B	2	CuSn4	1	0.2 - 0.5	1.15 - 1.6	E = 2.1 G = 2.1 D <sub>Dr</sub> = 0.8	A H = 4.5 K = 4.8 D <sub>ISO</sub> = 2.7									539612-1 539663-2	2.5	4.4	6.4	3.3
	2-2141884-2	A	2	CuFe2	5																	
	2141884-2	A	2	CuFe2	4																	
	969028-5	A	3	CuSn4	5	0.2 - 0.5	1.15 - 1.6	E = 2.1 G = 2.1 D <sub>Dr</sub> = 0.8	C X = 4.3 L = 4.8 D <sub>ISO</sub> = 2.6									539651-2	2.5	4.6	7.0	-
	969028-3	E	3	CuSn4	1																	
	969028-2	D	3	CuFe2	4																	
	963902-3	E	3	CuSn4	1	0.2 - 0.5	1.15 - 1.6	E = 2.1 G = 2.1 D <sub>Dr</sub> = 0.8	A H = 4.5 K = 4.8 D <sub>ISO</sub> = 2.7									539633-2	2.5	4.4	6.4	-
	963902-2	D	3	CuFe2	4																	
963902-1	D	3	CuSn4	4																		
UNSEALED / ungedichtet	1241846-5	A	1	CuSn4	5	1.5	2.2 - 2.4	E = 2.8 G = 3.0 D <sub>Dr</sub> = 1.4	A H = 3.5 K = 3.9 D <sub>ISO</sub> = 1.9	169400-0 539635-1	-	3.0	4.4	6.4	-	539960-1	SEE APPLICATION SPECIFICATION 114-18082 siehe Verarbeitungsspezifikation 114-18082					
	1241846-3	B	1	CuSn4	1																	
	1241846-2	A	1	CuFe2	4																	
	1241846-1	A	1	CuSn4	4	0.5 - 1.0	1.4 - 2.1	E = 2.5 G = 2.8 D <sub>Dr</sub> = 1.2	B H = 3.7 K = 3.9 D <sub>ISO</sub> = 1.8									539612-1 539663-2	3.0	4.4	6.4	-
	969079-3	C	1	CuSn4	1																	
	969079-2	B	1	CuFe2	4																	
	964267-4	A	1	CuSn4	5	0.5 - 1.0	1.4 - 2.1	E = 2.5 G = 2.7 D <sub>Dr</sub> = 1.2	A H = 3.2 K = 3.4 D <sub>ISO</sub> = 1.8									539651-2	3.0	4.6	7.0	-
	964267-3	D	1	CuSn4	1																	
	964267-2	C	1	CuFe2	4																	
	964267-1	C	1	CuSn4	4	0.5 - 1.0	1.4 - 2.1	E = 2.6 G = 2.8 D <sub>Dr</sub> = 1.2	A H = 3.2 K = 3.4 D <sub>ISO</sub> = 1.8									539612-1 539663-2	2.5	4.4	6.4	-
	963900-4	E	1	CuSn4	1																	
	963900-3	E	1	CuSn4	1																	
	963900-2	D	1	CuFe2	4	0.2 - 0.5	1.15 - 1.6	E = 2.1 G = 2.1 D <sub>Dr</sub> = 0.8	A H = 2.9 K = 2.9 D <sub>ISO</sub> = 1.4									539651-2	2.5	4.6	7.0	-
	963900-1	D	1	CuSn4	4																	
	963898-3	E	3	CuSn4	1																	
	963898-2	D	3	CuFe2	4	0.2 - 0.35	1.15 - 1.6	E = 2.4 G = 2.3 D <sub>Dr</sub> = 1.0	A H = 2.9 K = 2.9 D <sub>ISO</sub> = 1.4									539612-1 539663-2	2.5	4.4	6.4	-
	963898-1	D	3	CuSn4	4																	
	2141882-3	B	2	CuSn4	1																	
2141882-2	A	2	CuFe2	4	0.2 - 0.35	1.15 - 1.6	E = 2.1 G = 2.1 D <sub>Dr</sub> = 0.8	A H = 2.9 K = 2.9 D <sub>ISO</sub> = 1.4	539612-1 539663-2	2.5	4.4	6.4	-									
964265-5	A	3	CuSn4	5																		
964265-3	D	3	CuSn4	1																		
964265-2	C	3	CuFe2	4																		

THIS DRAWING IS A CONTROLLED DOCUMENT.		OWN T. Bertsch 11JUN1997		TE Connectivity
DIMENSIONS: mm		CHK U. Muenk 11JUN1997		NAME PRODUCT GROUP DRAWING TAB 1.6 x 0.6 TYPE A Flachsstecker 1.6 x 0.6 Typ A
TOLERANCES UNLESS OTHERWISE SPECIFIED: ±0.2		APV M. Bleicher 02MAR2011	SIZE A1	CAGE CODE 00779
MATERIAL SEE TABLE sheet 2 siehe Tabelle		FINISH SEE TABLE sheet 2 siehe Tabelle	WEIGHT -	SCALE 10:1
CUSTOMER DRAWING		APPLICATION SPEC 114-18082	DATE 02MAR2011	SHEET 2 OF 2

## X-ON Electronics

Largest Supplier of Electrical and Electronic Components

*Click to view similar products for [Automotive Connectors](#) category:*

*Click to view products by [TE Connectivity](#) manufacturer:*

Other Similar products are found below :

[003-018-000](#) [60403001](#) [60993906-B](#) [M902-2131](#) [M902-2161](#) [72.330.1035.1](#) [73.353.4028.0](#) [F119300-B](#) [F166900](#) [F258300-B](#) [F358300-B](#)  
[F407400](#) [F444110](#) [F487000](#) [F509500B-B](#) [827153-1](#) [8N1515-32-24P](#) [9-1326729-8](#) [925474-1](#) [928905-1](#) [964562-4](#) [968782-1](#) [GT17SA-8DS-](#)  
[HU](#) [98891-1012](#) [98947-1016](#) [12004147](#) [12004475-L](#) [12010290](#) [12010309-B](#) [12015454](#) [12020219-B](#) [12020308](#) [12041318-B](#) [12052225-L](#)  
[12052466](#) [12059125](#) [12064869](#) [12004327-B](#) [12010503-B](#) [12015308](#) [12015384](#) [12015909](#) [1-21030-1](#) [12041254](#) [12041318](#) [12047946-B](#)  
[12047957](#) [12047957-L](#) [12059473](#) [12066261](#)