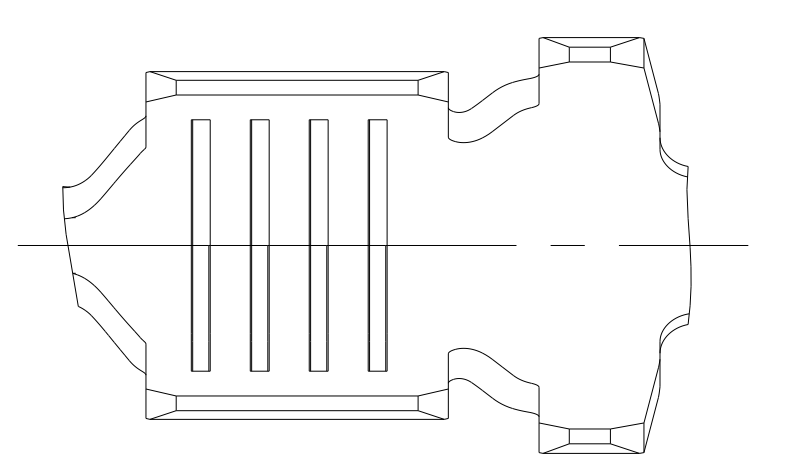


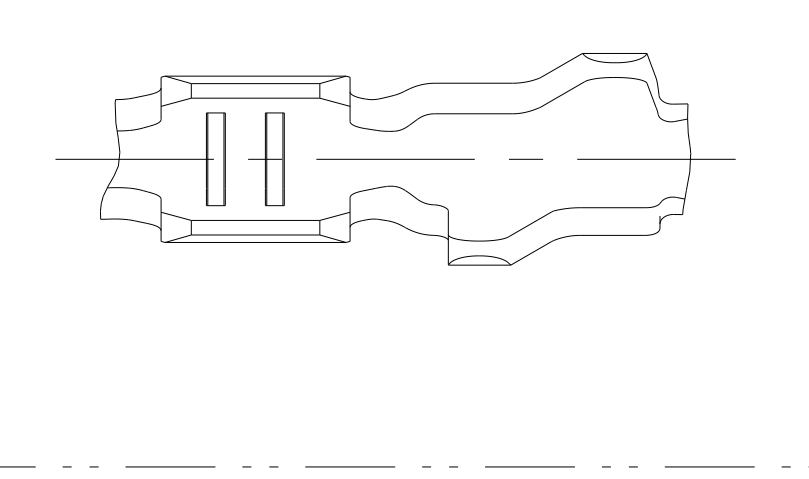
| REV | DATE      | DESCRIPTION                              | BY  | CHK | APPD |
|-----|-----------|--|-----|-----|------|
| B10 | 20FEB2021 | ADDED NEW PN 1862029-5 DETAILS IN BOM    | JJM | JCB |      |
| B11 | 19MAY2021 | REFER PCN: E-21-005125                   | JJM | JCB |      |
| B12 | 27MAY2021 | CORRECTION INSUL-HEIGHT FOR PN 1862029-5 | JJM | JCB |      |
| B13 | 08SEP2021 | REVISION MISMATCH RESOLVED               | KMD | JCB |      |

## VERSION A (UNSEALED / ungedichtet)

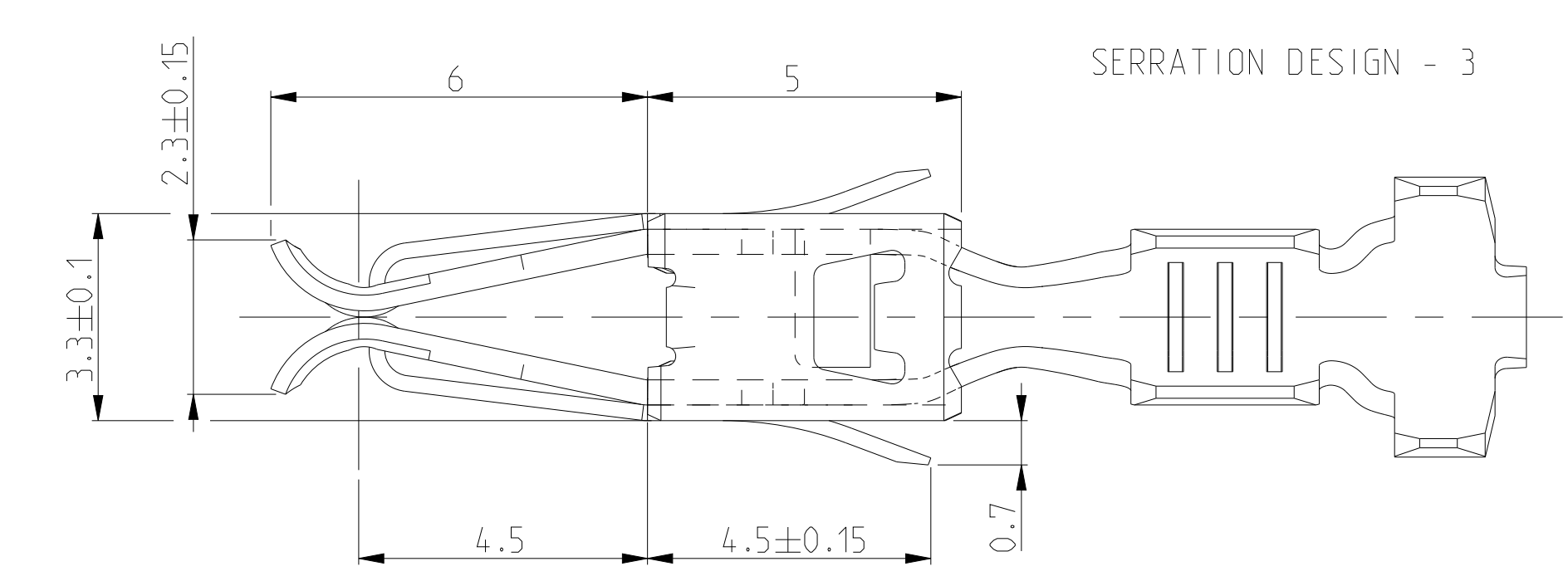
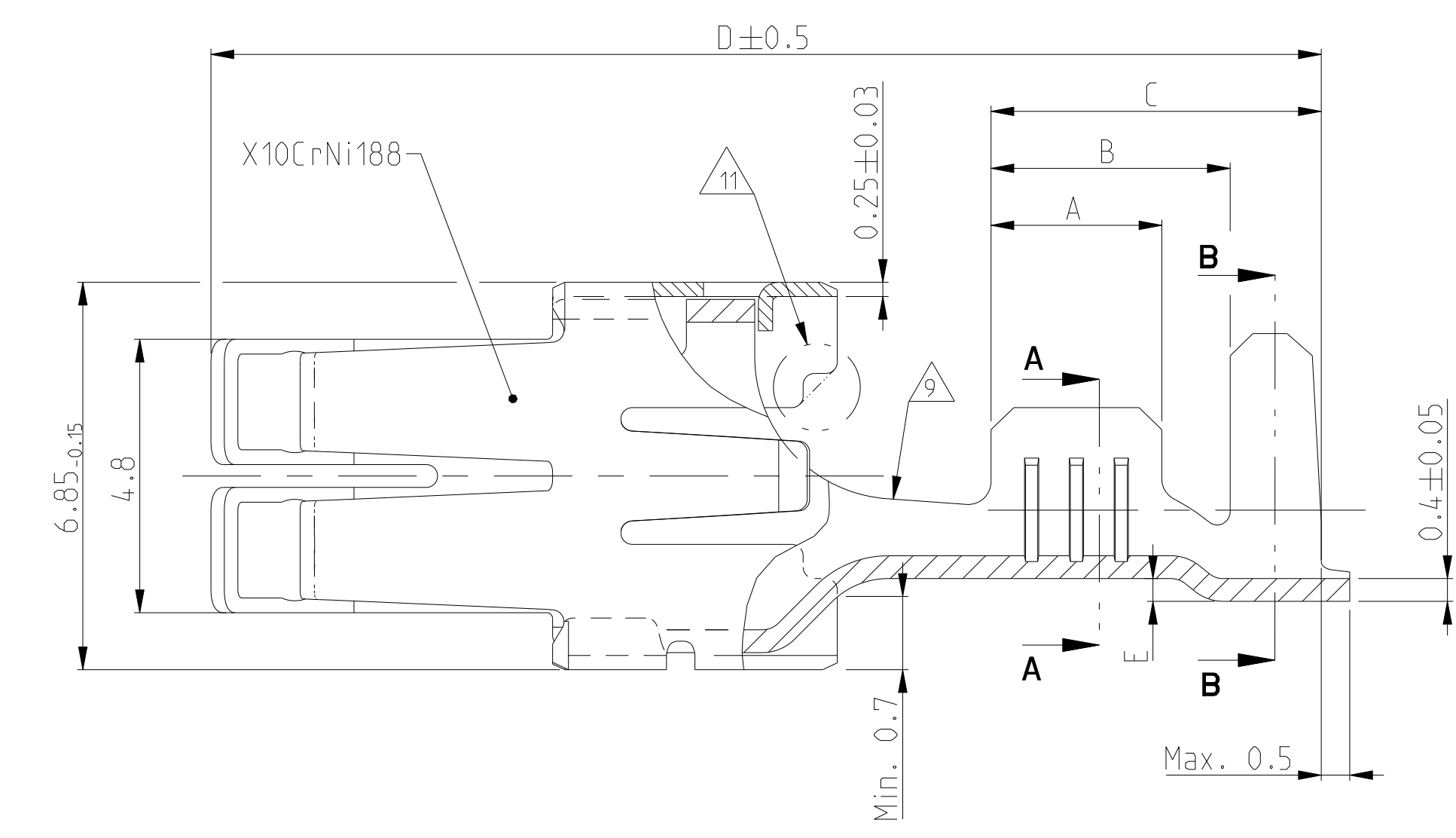
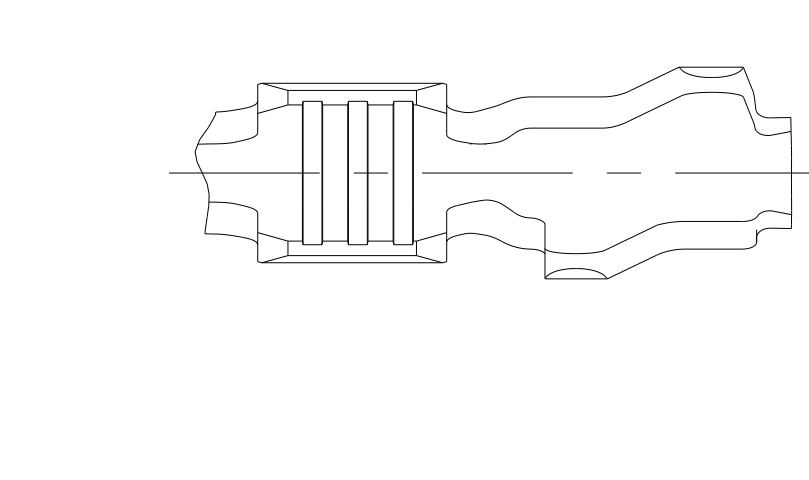
SERRATION DESIGN - 1



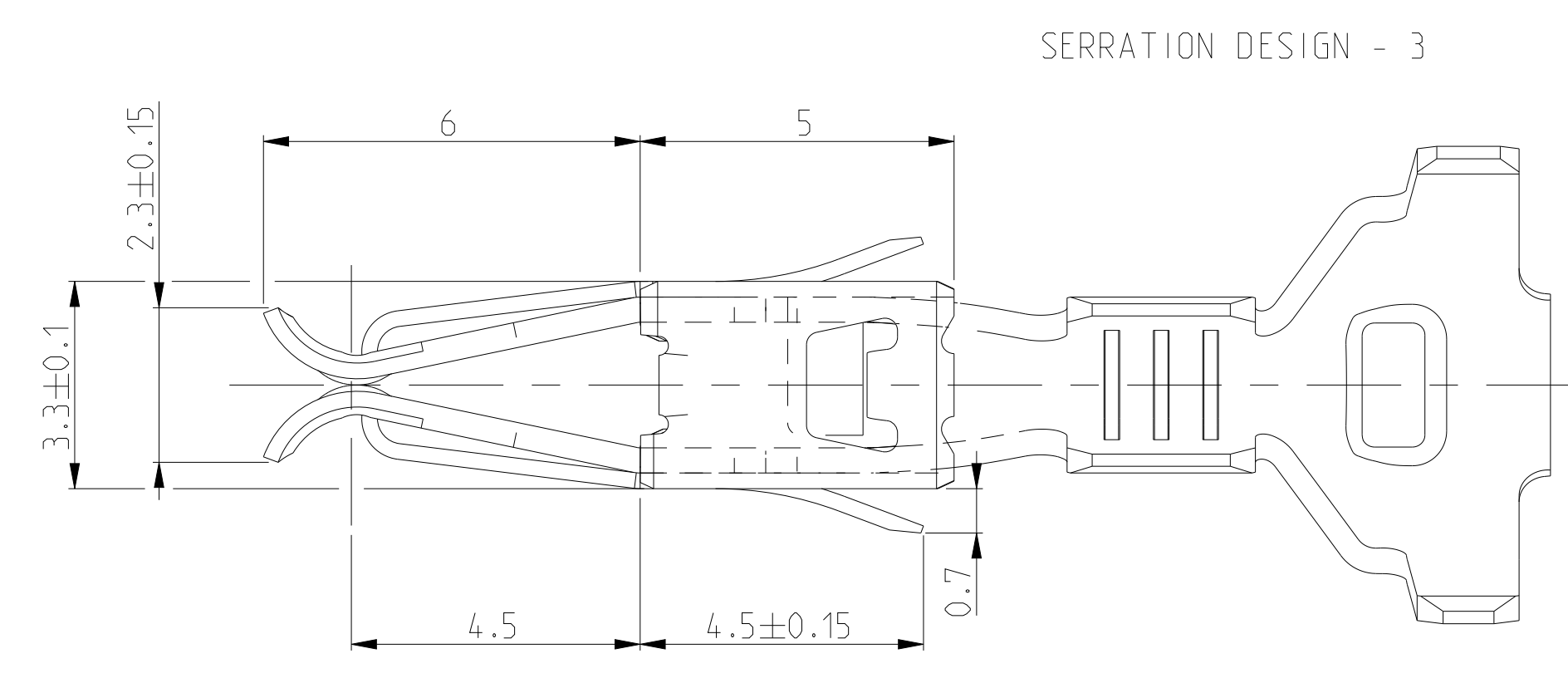
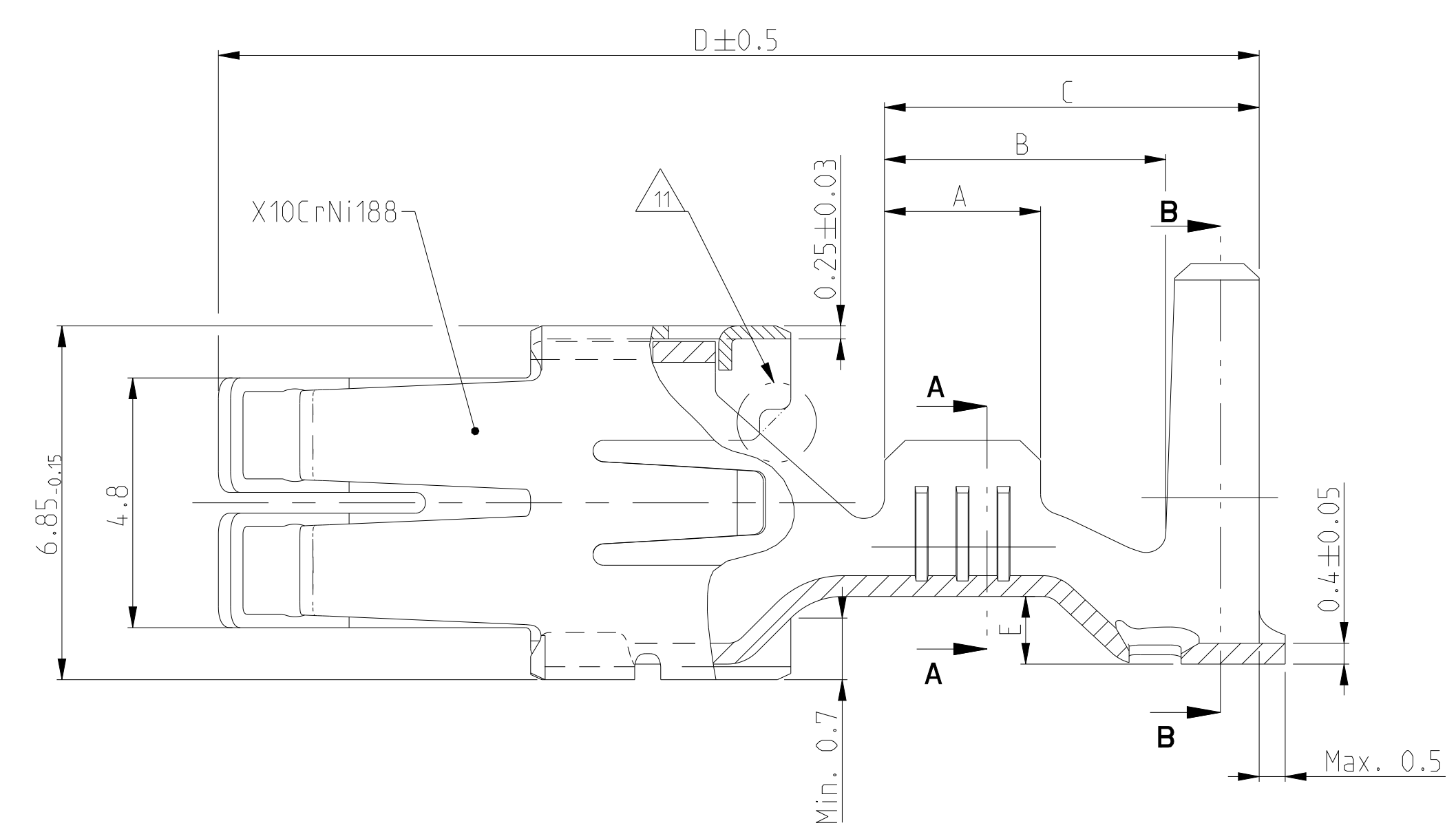
SERRATION DESIGN - 2



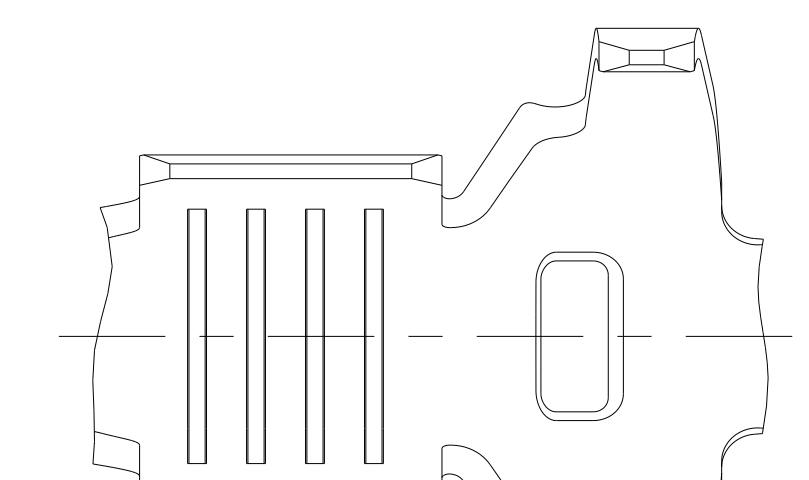
SERRATION DESIGN - 4



## VERSION B (SINGLE WIRE SEAL / Einzel-Dichtungs-System)



SERRATION DESIGN - 1



| REV       | DATE | DESCRIPTION | BY | CHK | APPD | MATERIAL    | SURFACE                         | CRIMP DIMENSIONS (mm)  | EXTRACTION TOOL                            | HAND TOOL  | TE CONNECTIVITY ORDER - No.    |   |     |     |     |      |     |
|-----------|------|-------------|----|-----|------|-------------|---------------------------------|--|--|--|--------------------------------|---|-----|-----|-----|------|-----|
| -         | -    | -           | -  | -   | -    | 1862029-5 A | CuFe2 PRESILVERED vorversilbert | 0.35 - 0.5 FLR<br>E = 2.37<br>G = 2.45<br>D <sub>w</sub> = 0.8 | H = 2.8<br>K = 3.1                         | 0.5mm <sup>2</sup> = 1.14<br>0.35mm <sup>2</sup> = 1.09<br>0.5mm <sup>2</sup> = 1.14<br>0.35mm <sup>2</sup> = 1.09   | MQC - Applicator<br>2837770-2  | -                                       | 2.5 | 3.8 | 6.6 | 19.5 | 0.3 |
| -         | -    | -           | -  | -   | -    | -           | -                               | 0.35 - 0.5 FLU<br>E = 2.2<br>G = 2.2<br>D <sub>w</sub> = 0.8   | H = 3.7<br>K = 3.8                         | 0.20mm <sup>2</sup> = 1.13<br>0.25mm <sup>2</sup> = 1.15<br>0.35mm <sup>2</sup> = 1.19<br>0.50mm <sup>2</sup> = 1.26 | MQC - Applicator<br>878426-2   | 539635-1 WITH DIE: mit Matrize 539744-2 | 2.5 | 3.8 | 6.6 | 19.5 | 0.3 |
| -         | -    | -           | -  | -   | -    | -           | -                               | 0.2 - 0.5 FLK<br>E = 2.8<br>G = 3.0<br>D <sub>w</sub> = 1.1    | H = 4.5<br>K = 4.7<br>D <sub>w</sub> = 2.4 | 0.5mm <sup>2</sup> = 1.38<br>0.75mm <sup>2</sup> = 1.47<br>1.0mm <sup>2</sup> = 1.56                                 | MQC - Applicator<br>2-541689-2 | 539733-2 WITH DIE: mit Matrize 736249-0 | 3   | 4.2 | 5.8 | 19.5 | 0.4 |
| -         | -    | -           | -  | -   | -    | -           | -                               | 0.5 - 1.0 FLK<br>E = 3.8<br>G = 4.1<br>D <sub>w</sub> = 1.6    | H = 5.7<br>K = 5.8<br>D <sub>w</sub> = 3.6 | 1.5mm <sup>2</sup> = 1.76<br>2.0mm <sup>2</sup> = 1.90<br>2.5mm <sup>2</sup> = 2.04                                  | MQC - Applicator<br>878367-2   | 539635-1 WITH DIE: mit Matrize 539733-2 | 3.5 | 4.7 | 6.3 | 19.5 | 0.4 |
| 927824-2  | C    | -           | -  | -   | -    | -           | -                               | >1.0 - 2.5 FLK<br>E = 4.6<br>G = 4.8<br>D <sub>w</sub> = 2.4   | H = 6.3<br>K = 6.6<br>D <sub>w</sub> = 4.0 | 3.0mm <sup>2</sup> = 2.13<br>3.5mm <sup>2</sup> = 2.24<br>4.0mm <sup>2</sup> = 2.35                                  | MQC - Applicator<br>2-878314-2 | 539635-1 WITH DIE: mit Matrize 539734-2 | 4   | 5.2 | 6.8 | 19.5 | 0.6 |
| 927824-1  | C    | -           | -  | -   | -    | -           | -                               | >2.5 - 4.0 FLK<br>E = 5.2<br>G = 5.5<br>D <sub>w</sub> = 2.9   | H = 7.3<br>K = 7.6<br>D <sub>w</sub> = 4.5 | 4.0mm <sup>2</sup> = 2.17<br>5.0mm <sup>2</sup> = 2.36<br>6.0mm <sup>2</sup> = 2.55                                  | MQC - Applicator<br>2-878738-2 | -                                       | 4.2 | 5.6 | 7.7 | 20   | 0.6 |
| 1241818-5 | B    | -           | -  | -   | -    | -           | -                               | 0.2 - 0.5 FLR<br>E = 2.2<br>G = 2.2<br>D <sub>w</sub> = 0.8    | H = 2.8<br>K = 2.8                         | 0.2mm <sup>2</sup> = 1.13<br>0.35mm <sup>2</sup> = 1.19<br>0.5mm <sup>2</sup> = 1.26                                 | MQC - Applicator<br>878427-2   | -                                       | 2.5 | 3.8 | 6.6 | 19.5 | 0.3 |
| 1241818-1 | B    | -           | -  | -   | -    | -           | -                               | 0.5 - 1.0 FLR<br>E = 2.8<br>G = 3.0<br>D <sub>w</sub> = 1.1    | H = 3.9<br>K = 4.1                         | 0.5mm <sup>2</sup> = 1.43<br>0.75mm <sup>2</sup> = 1.52<br>1.0mm <sup>2</sup> = 1.61                                 | MQC - Applicator<br>878328-2   | 169400-0 WITH DIE: mit Matrize 734781-1 | 3   | 4.2 | 5.8 | 19.5 | 0.4 |
| 927840-5  | C    | -           | -  | -   | -    | -           | -                               | >1.0 - 2.5 FLR<br>E = 3.8<br>G = 4.1<br>D <sub>w</sub> = 1.6   | H = 4.8<br>K = 4.9<br>D <sub>w</sub> = 2.6 | 1.25mm <sup>2</sup> = 1.69<br>1.5mm <sup>2</sup> = 1.76<br>2.0mm <sup>2</sup> = 1.90<br>2.5mm <sup>2</sup> = 2.04    | MQC - Applicator<br>878356-2   | 169400-0 WITH DIE: mit Matrize 734251-0 | 3.5 | 4.7 | 6.3 | 19.5 | 0.4 |
| 927840-4  | C    | -           | -  | -   | -    | -           | -                               | >2.5 - 4.0 FLR<br>E = 4.6<br>G = 4.8<br>D <sub>w</sub> = 2.4   | H = 5.5<br>K = 5.7<br>D <sub>w</sub> = 3.3 | 3.0mm <sup>2</sup> = 2.13<br>3.5mm <sup>2</sup> = 2.24<br>4.0mm <sup>2</sup> = 2.35                                  | MQC - Applicator<br>2-878384-2 | 169400-0 WITH DIE: mit Matrize 734251-0 | 4   | 5.2 | 6.8 | 19.5 | 0.6 |

| REV        | DATE | DESCRIPTION | BY | CHK | APPD | MATERIAL     | SURFACE | CRIMP DIMENSIONS (mm)  | EXTRACTION TOOL                             | HAND TOOL  | TE CONNECTIVITY ORDER - No.  |   |     |     |     |    |      |                      |          |
|------------|------|-------------|----|-----|------|--------------|---------|--|---|--|------------------------------|---|-----|-----|-----|----|------|----------------------|----------|
| -          | -    | -           | -  | -   | -    | 2-927836-2 C | CuSn4   | 0.5 - 1.0 FLR<br>E = 2.8<br>G = 3.0<br>D <sub>w</sub> = 1.1  | H = 7.6<br>K = 7.7<br>D <sub>w</sub> = 5.6  | 0.5mm <sup>2</sup> = 1.43<br>0.75mm <sup>2</sup> = 1.52<br>1.0mm <sup>2</sup> = 1.61 | MQC - Applicator<br>878337-2 | 539635-1 WITH DIE: mit Matrize 739736-2 | 3   | 5.4 | 7.2 | 20 | 1.25 | 963243-1<br>963244-1 | 100132-1 |
| -          | -    | -           | -  | -   | -    | 927836-1 C   | CuSn4   | >1.0 - 2.5 FLR<br>E = 3.8<br>G = 4.1<br>D <sub>w</sub> = 1.6 | H = 7.6<br>K = 7.7<br>D <sub>w</sub> = 5.6  | 1.5mm <sup>2</sup> = 1.76<br>2.0mm <sup>2</sup> = 1.90<br>2.5mm <sup>2</sup> = 2.04  | MQC - Applicator<br>878338-2 | 539635-1 WITH DIE: mit Matrize          | 3.5 | 5.9 | 7.7 | 20 | 1.25 | 963244-1<br>963245-1 | 100132-1 |
| -          | -    | -           | -  | -   | -    | 2-927835-2 C | CuSn4   | >2.5 - 4.0 FLR<br>E = 4.6<br>G = 4.8<br>D <sub>w</sub> = 2.4 | H = 7.6<br>K = 7.7<br>D <sub>w</sub> = 5.6  | 3.0mm <sup>2</sup> = 2.13<br>4.0mm <sup>2</sup> = 2.35                               | MQC - Applicator<br>878441-2 | 539635-1 WITH DIE: mit Matrize          | 4   | 5.9 | 7.7 | 20 | 1.25 | 963245-1             | 100132-1 |
| 2-928966-2 | D    | -           | -  | -   | -    | 928966-1 D   | CuSn4   | >3.0 - 5.0 FLR<br>E = 4.8<br>G = 5.2<br>D <sub>w</sub> = 2.5 | H = 8.15<br>K = 7.8<br>D <sub>w</sub> = 6.0 | 3.0mm <sup>2</sup> = 2.25<br>4.0mm <sup>2</sup> = 2.50<br>5.0mm <sup>2</sup> = 2.75  | MQC - Applicator<br>-        | 539736-2 WITH DIE: mit Matrize          | 4   | 5.9 | 7.7 | 20 | 1.25 | 967011-1<br>963245-1 | 100132-1 |

**CONTACT ZONE SELECTIVE PRE SILVER PLATED MIN 3-4.5 µm**  
Kontaktzone selektiv vorversilbert min. 3-4.5 µm

**CONTACT ZONE SELECTIVE PRE SILVER PLATED MIN 1-1.5 µm**  
Kontaktzone selektiv vorversilbert min. 1-1.5 µm

**CONTACT BODY: ELECTRO TIN PLATED OVER NICKEL CONTACT AREA: GOLD PLATED**  
Kontaktkoerper: gal. verzinkt ueber Nickel Kontaktzone: vergoldet

**CONTACT BODY: ELECTRO TIN PLATED OVER NICKEL CONTACT AREA: SELECTIVE NICKEL PLATED 2-4 µm**  
Kontaktkoerper: gal. verzinkt ueber Nickel Kontaktzone: selektiv vernickelt 2-4 µm

**CONTACT BODY: ELECTRO TIN PLATED OVER NICKEL TOUCHING AREA TO CANTILEVER SPRING: SELECTIVE AU PLATED OVER NICKEL CANTILEVER SPRING: COMPLETELY AU PLATED**  
Kontaktkoerper: gal. verzinkt ueber Nickel Anlageflaeche zur Ueberfeder selektiv Au ueber Ni beschichtet Ueberfeder: komplett Au beschichtet

**PRE-FORM ISO-AREA ONLY FOR PN: 1241962-1**  
Isoflanken vorgeformt nur bei PN:1241962-1

**WRAP CRIMP ONLY FOR PN: 927839,927840,928989 AND 928990**  
Umfassungscrimp nur bei PN: 927839,927840,928989 und 928990

**TRANSITION ONLY FOR PN 927827,927828,927829, 927830,927833,927834,927837 AND 927838**  
Uebergang nur fuer PN 927827,927828,927829, 927830,927833,927834,927837 und 927838

**1-3 µm Sn28M LAYER FOR HIGHER TEMPERATURE REQUIREMENTS**  
1-3 µm Sn28M Schicht fuer hoehere Temperaturanforderungen

**DOTTED LINE IS ALTERNATIVE SHAPE**  
Gestrichelte Linie alternative Form

**OBsolete**

**SEE APPLICATION SPEC. FOR PREFERRED STANDARD TO MEET NEW REQUIREMENT LV214-2 SLOW MOTION BENDING TEST**  
Siehe Verarbeitungs Spezifikation fuer bevorzugten Standard um den neuen Anforderungen der LV214-2 Slow Motion Pruefung zu genuegen

B-B

THIS DRAWING IS A CONTROLLED DOCUMENT. DIMENSIONING AND TOLERANCING PER ISO STANDARDS.

DATE: 20210111  
DRAWN: M. BEILSCHLICH  
CHECKED: M. HUHN  
APPROVED: M. BEILSCHLICH

PROJECT: STANDARD POWER TIMER CONTACT  
PRODUCT SPEC: 108-18025  
APPLICATION SPEC: 114-18037

EXTRACTION TOOL: T-1579007-6  
MATERIAL: 968107-1

SCALE: 10:1  
SHEET: 1 OF 1  
REV: B13

## X-ON Electronics

Largest Supplier of Electrical and Electronic Components

*Click to view similar products for [Automotive Connectors](#) category:*

*Click to view products by [TE Connectivity](#) manufacturer:*

Other Similar products are found below :

[003-018-000](#) [60403001](#) [60993906-B](#) [M902-2131](#) [M902-2161](#) [72.330.1035.1](#) [73.353.4028.0](#) [F119300-B](#) [F166900](#) [F258300-B](#) [F358300-B](#)  
[F407400](#) [F444110](#) [F487000](#) [F509500B-B](#) [827153-1](#) [8N1515-32-24P](#) [9-1326729-8](#) [925474-1](#) [928905-1](#) [964562-4](#) [968782-1](#) [GT17SA-8DS-](#)  
[HU](#) [98891-1012](#) [98947-1016](#) [12004147](#) [12004475-L](#) [12010290](#) [12010309-B](#) [12015454](#) [12020219-B](#) [12020308](#) [12041318-B](#) [12052225-L](#)  
[12052466](#) [12059125](#) [12064869](#) [12004327-B](#) [12010503-B](#) [12015308](#) [12015384](#) [12015909](#) [1-21030-1](#) [12041254](#) [12041318](#) [12047946-B](#)  
[12047957](#) [12047957-L](#) [12059473](#) [12066261](#)