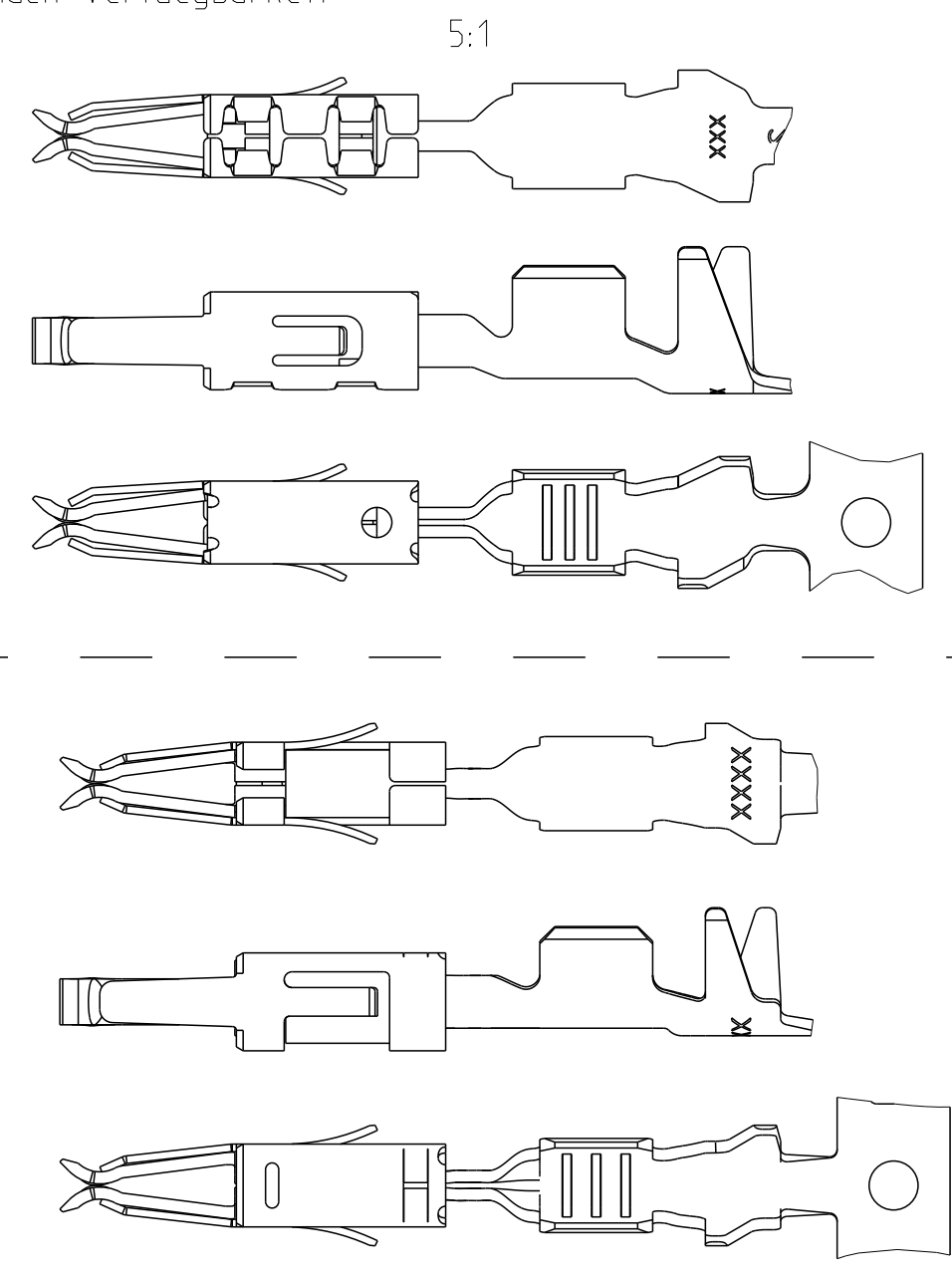
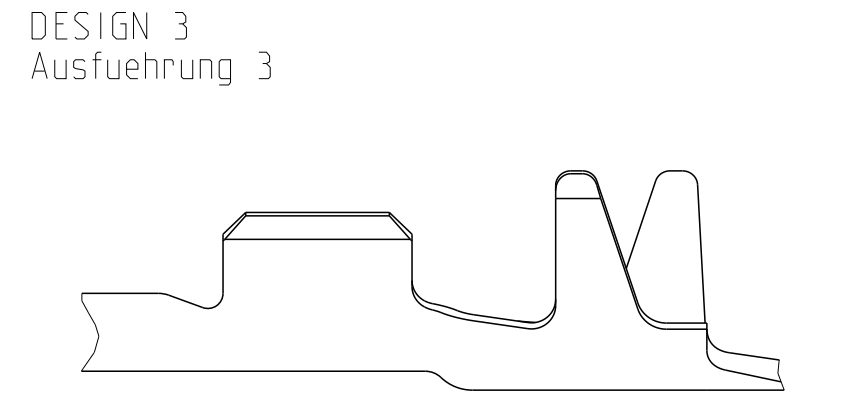
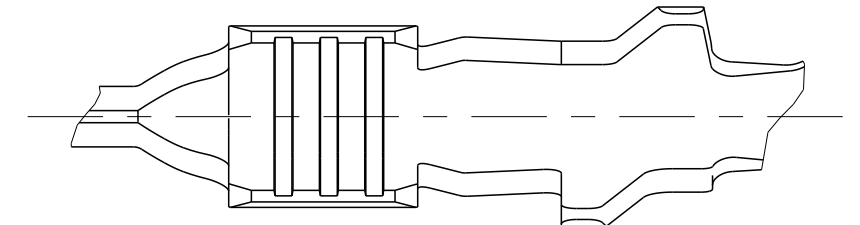
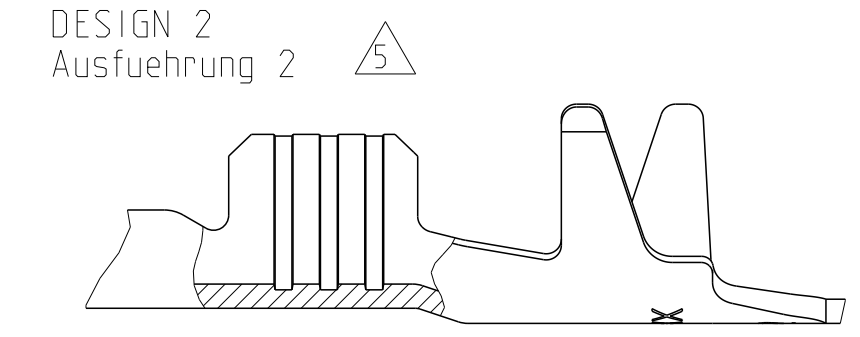


SPRING / Ueberfeder

DIFFERENT TOOL DETAILS
 Verschiedene Werkzeugausfuehrungen
 FUNCTION AND HANDLING WITH
 ALL DETAILS CONTINUOUSLY
 Funktion und Handhabung
 bei allen Ausfuehrungen gleich
 SUPPLY BASED ON AVAILABILITY
 Lieferung nach Veruegbarkeit

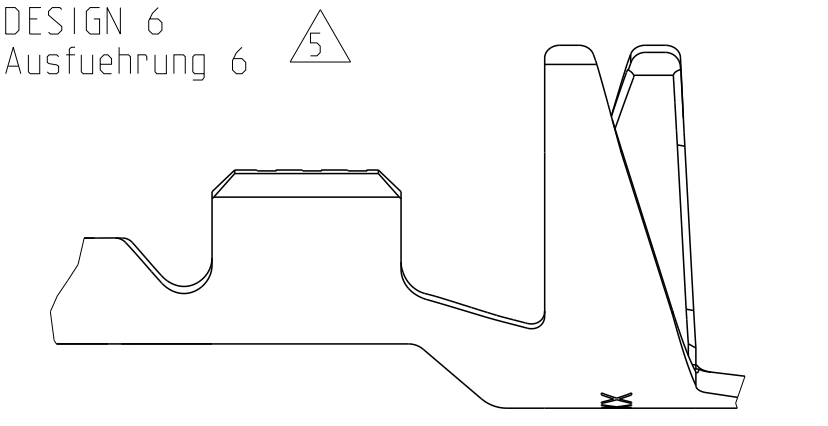
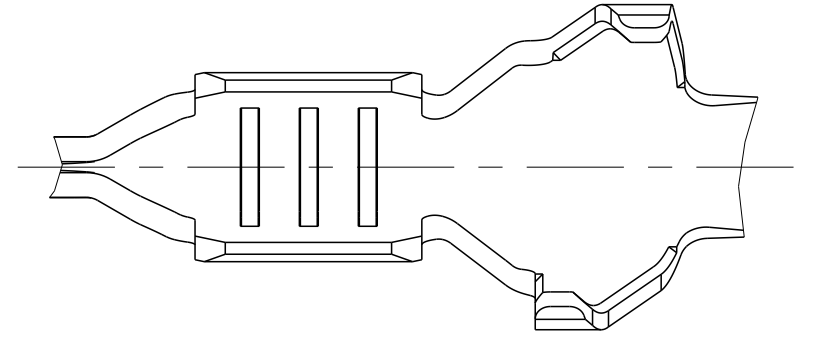
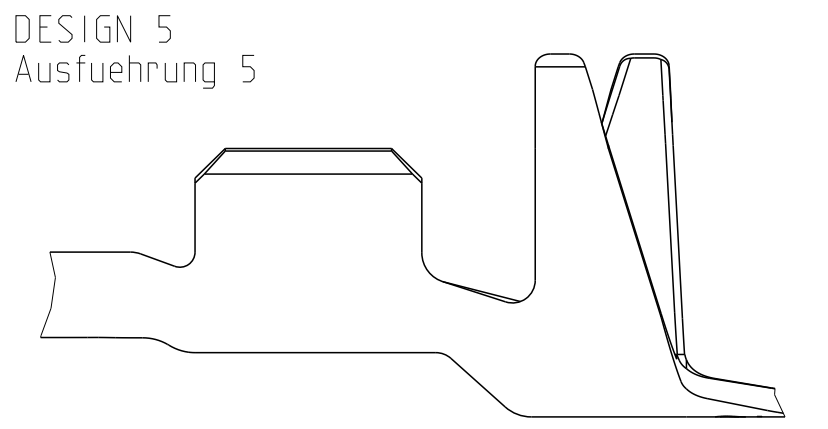


FLR-WIRE
 FLR-Leitung

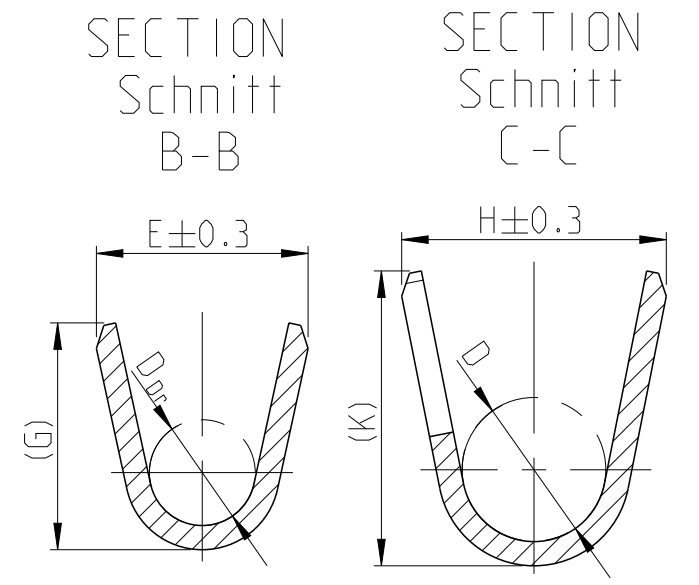
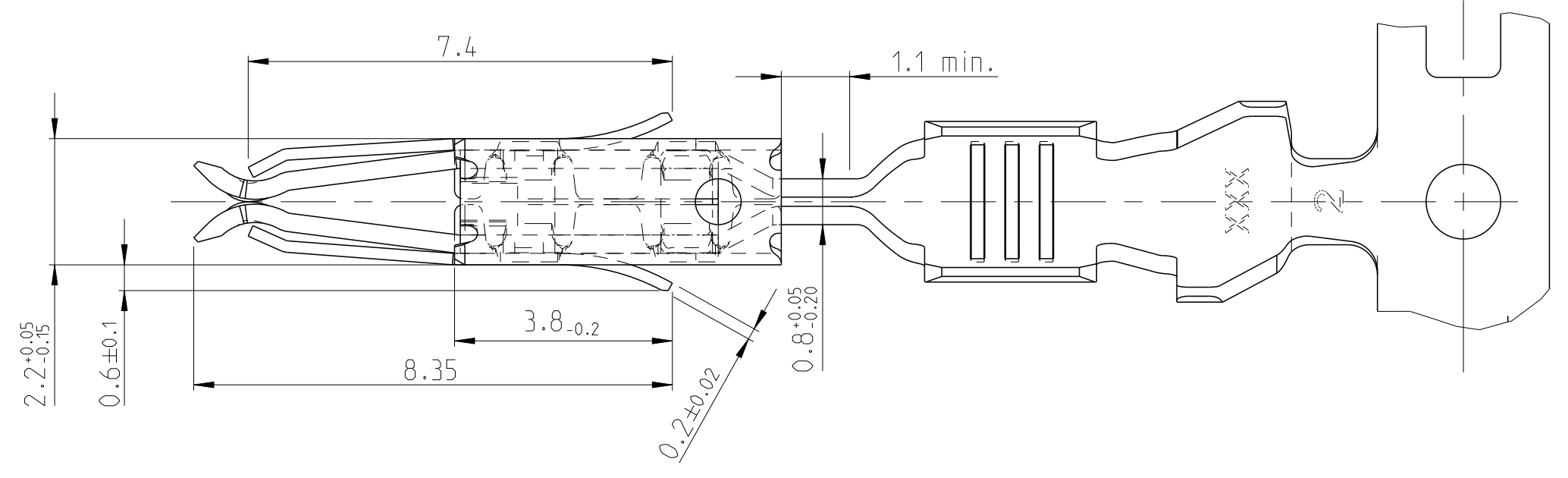
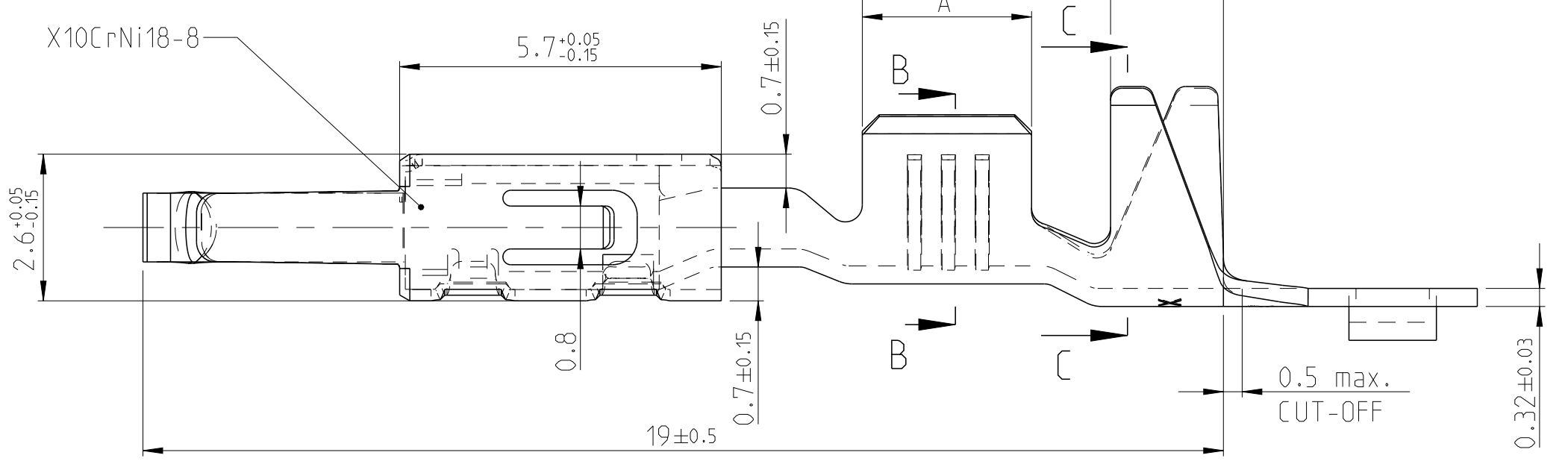


REVISIONS					
P.	LTN	DESCRIPTION	DATE	DMN	APVD
B9		New Creo drawing created and PN's obsolete	16APR2016	Hornika	M. Eder
B10		964274-8 and 2141902-8 added	12FEB2015	Mahrle	Schm.
B11		ADD PRODUCT WEIGHT	10JUN2016	Hornika	Schm.
B12		DRAWING VIEW CORRECTED	17JUN2016	HD.	SCH

FLR- AND FLK-CABLE
 FLR- und FLK- Leitung



DESIGN 1
 Ausfuehrung 1

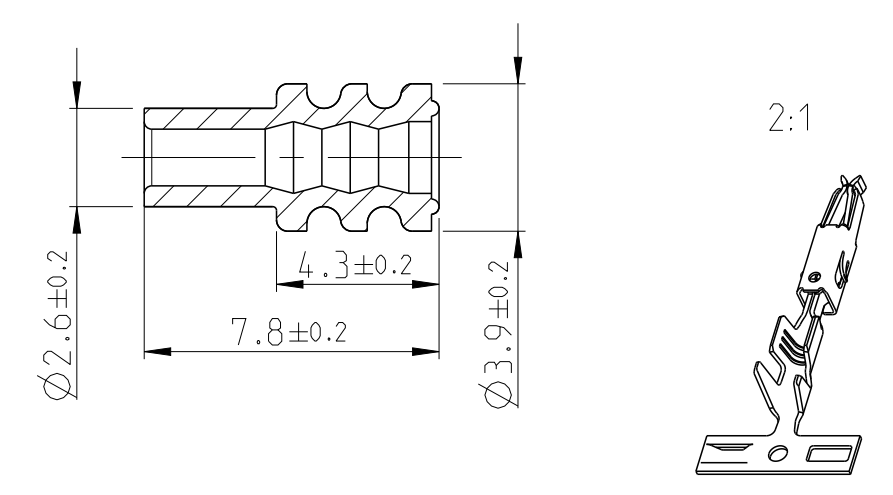


SINGLE WIRE SEAL / Einzeldichtungssystem	REV.	DESIGN Ausfuehrung	MATERIAL Oberflaeche	SURFACE Oberflaeche	WIRE RANGE Drahtgroessen Bereich [mm²]	INSULATION Isolations Ø [mm]	STRIP FORM Drahtcrimp Iso.-Crimp Bandware			A	B	C	CRIMP DATA AND CRIMP TOOL Crimpdaten u. Crimpwerkzeuge
							DR	DR	DR				
UNSCALED / ungedichtet	4-964274-1	E	CuNiSi	PRETINNED vorverzinkt	0.5-1.0	1.4-2.1	E = 2.5 G = 2.7 D _{Dr} = 1.2	H = 4.3 K = 4.8 D = 2.7	3.0	4.4	6.4	SEE APPLICATION - SPECIFICATION siehe Verarbeitungsspezifikation 114-18081	
	964274-8	A	CuFe 2	SILVER PLATED versilbert	0.35	1.2-1.3	E = 2.4 G = 2.3 D _{Dr} = 1.0	H = 4.3 K = 4.8 D = 2.6	2.5	4.4	6.4		
	964274-3	E	CuSn 4	PRETINNED vorverzinkt									
	964274-2	E	CuFe 2	SILVER PLATED versilbert									
	2141902-8	A	6	CuFe 2	SILVER PLATED versilbert	0.2-0.5	1.15-1.6	E = 2.1 G = 2.1 D _{Dr} = 0.8	H = 4.3 K = 4.8 D = 2.6	2.5	4.4		6.4
	2141902-3	A	CuSn 4	PRETINNED vorverzinkt									
	2141902-2	A	CuFe 2	PRETINNED vorverzinkt									
	4-969005-1	F	7	CuNiSi	PRETINNED vorverzinkt	1.5	2.2-2.4	E = 2.8 G = 3.0 D _{Dr} = 1.4	H = 3.5 K = 3.9 D = 1.9	3.0	4.4		6.4
	969005-3	F	CuSn 4	PRETINNED vorverzinkt									
969005-2	F	CuFe 2	PRETINNED vorverzinkt										
UNSCALED / ungedichtet	1241844-2	A	1	CuFe 2	PRETINNED vorverzinkt	0.5-1.0	1.4-2.1	E = 2.5 G = 2.7 D _{Dr} = 1.2	H = 3.7 K = 3.9 D = 1.8	3.0	4.6	6.2	
	964348-2	C	CuFe 2	PRETINNED vorverzinkt									
	964263-3	D	CuSn 4	PRETINNED vorverzinkt									
	964263-2	D	1	CuFe 2	PRETINNED vorverzinkt	0.35	1.2-1.3	E = 2.4 G = 2.3 D _{Dr} = 1.0	H = 2.9 K = 2.9 D = 1.4	2.5	4.4	6.4	
	2141900-3	A	CuSn 4	PRETINNED vorverzinkt									
	2141900-2	A	CuFe 2	PRETINNED vorverzinkt									
	4-964261-1	D	3	CuNiSi	PRETINNED vorverzinkt	0.2-0.5	1.15-1.6	E = 2.1 G = 2.1 D _{Dr} = 0.8	H = 2.9 K = 2.9 D = 1.4	2.5	4.4	6.4	
	964261-3	D	CuSn 4	PRETINNED vorverzinkt									
	964261-2	D	CuFe 2	PRETINNED vorverzinkt									

NOTES
 Bemerkungen

- 1 BODY ELECTRO TIN PLATED OVER NICKEL 0.2 µm min. Kontaktkoerper gal. verzinkt ueber Nickel 0.2 µm min. CONTACT AREA SELECTIV GOLD OVER NICKEL 0.8 µm min. Kontaktzone selectiv vergoldet ueber Nickel 0.8 µm min. WIRE CRIMP AREA ELECTRO TIN PLATED OVER NICKEL 1 µm min. Drahtcrimpbereich gal. verzinkt ueber Nickel 1 µm min.
- 2 FOR DOUBLE- AND SINGLE TERMINATION fuer Doppel- und Einzelanschlaege
- 3 ACCORDING TO INSULATION DIA IS TO CHOOSE THE SINGLE WIRE SEAL Entsprechend dem Isolationsdurchmesser ist die Einzel-Dichtung auszuwaehlen
- 4 BODY ELECTRO TIN PLATED OVER NICKEL 0.2µm min. Kontaktkoerper gal. verzinkt ueber Nickel 0.2µm min. CONTACT AREA SELECTIV GOLD OVER NICKEL 0.8µm min. Kontaktzone selectiv vergoldet ueber Nickel 0.8µm min. WIRE CRIMP AREA ELECTRO TIN PLATED 1µm min. Drahtcrimpbereich gal. verzinkt
- 5 SERRATIONS OVER THE WHOLE WIDTH OF THE WIRE CRIMP AREA Rillen ueber die ganze Breite des Drahtcrimpbereiches

SINGLE WIRE SEAL Einzeldichtung		
964972-1	1.9-2.1	YELLOW gelb
963530-1	1.4-1.9	GREY grau
964971-1	1.2-1.6	RED rot
ORDER No. Bestell-Nr.	INSULATION Ø Isolations Ø	COLOUR Farbe



THIS DRAWING IS A CONTROLLED DOCUMENT.

DIMENSIONS: mm	TOLERANCES UNLESS OTHERWISE SPECIFIED: ±0.2	DMN M. Preilschlitz 16AUG2000	TE Connectivity
MATERIAL: -	FINISH: -	CHK V. Huhn 16NOV2001	APVD M. Bleicher 18AUG2000
		NAME: PRODUCT GROUP DRAWING FOR MICRO TIMER 2 CONTACT TYPE A	RESTRICTED TO
		APPLICATION SPEC: 114-18081	SIZE: A1
		WEIGHT: 0.3g	SCALE: 5:1
		Customer Drawing	SHEET 1 OF 1 REV B12

X-ON Electronics

Largest Supplier of Electrical and Electronic Components

Click to view similar products for [Automotive Connectors](#) category:

Click to view products by [TE Connectivity](#) manufacturer:

Other Similar products are found below :

[003-018-000](#) [60403001](#) [60993906-B](#) [M902-2131](#) [M902-2161](#) [72.330.1035.1](#) [73.353.4028.0](#) [F119300-B](#) [F166900](#) [F258300-B](#) [F358300-B](#)
[F407400](#) [F444110](#) [F487000](#) [F509500B-B](#) [827153-1](#) [8N1515-32-24P](#) [9-1326729-8](#) [925474-1](#) [928905-1](#) [964562-4](#) [968782-1](#) [GT17SA-8DS-](#)
[HU](#) [98891-1012](#) [98947-1016](#) [12004147](#) [12004475-L](#) [12010290](#) [12010309-B](#) [12015454](#) [12020219-B](#) [12020308](#) [12041318-B](#) [12052225-L](#)
[12052466](#) [12059125](#) [12064869](#) [12004327-B](#) [12010503-B](#) [12015308](#) [12015384](#) [12015909](#) [1-21030-1](#) [12041254](#) [12041318](#) [12047946-B](#)
[12047957](#) [12047957-L](#) [12059473](#) [12066261](#)