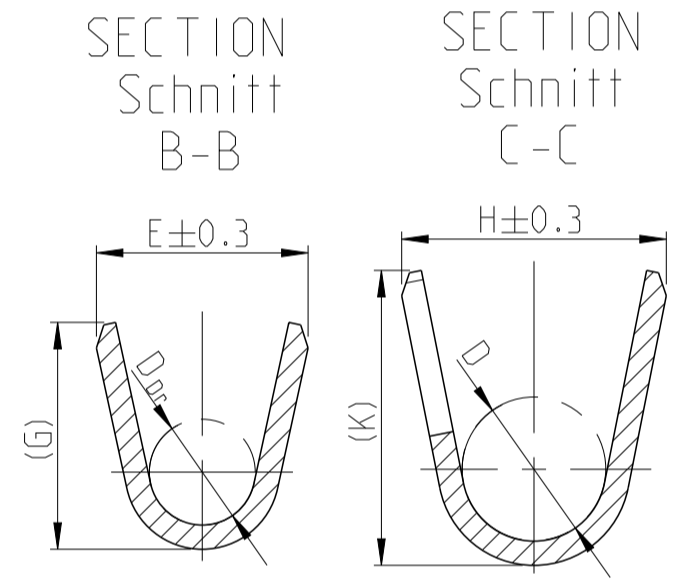
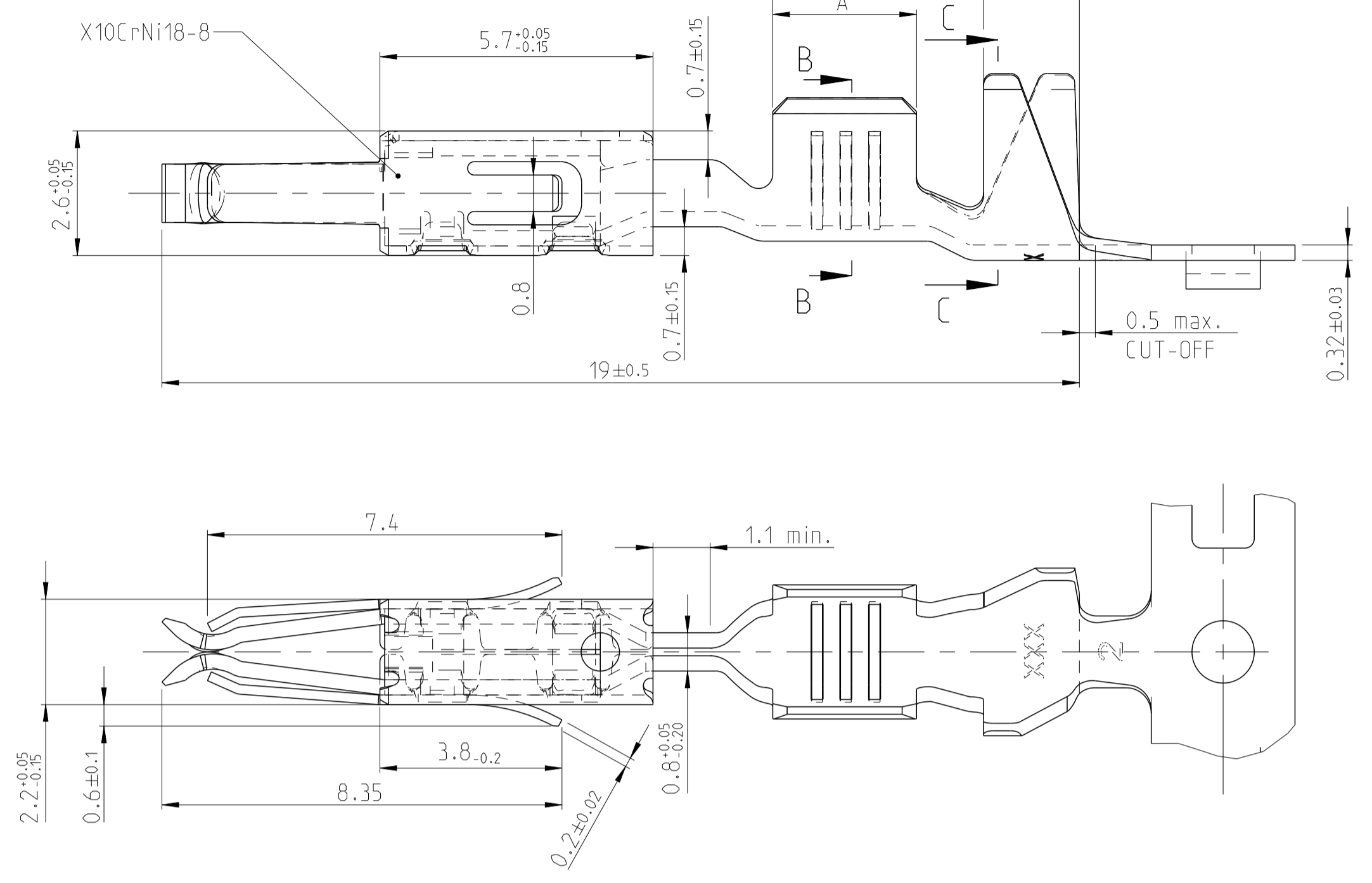
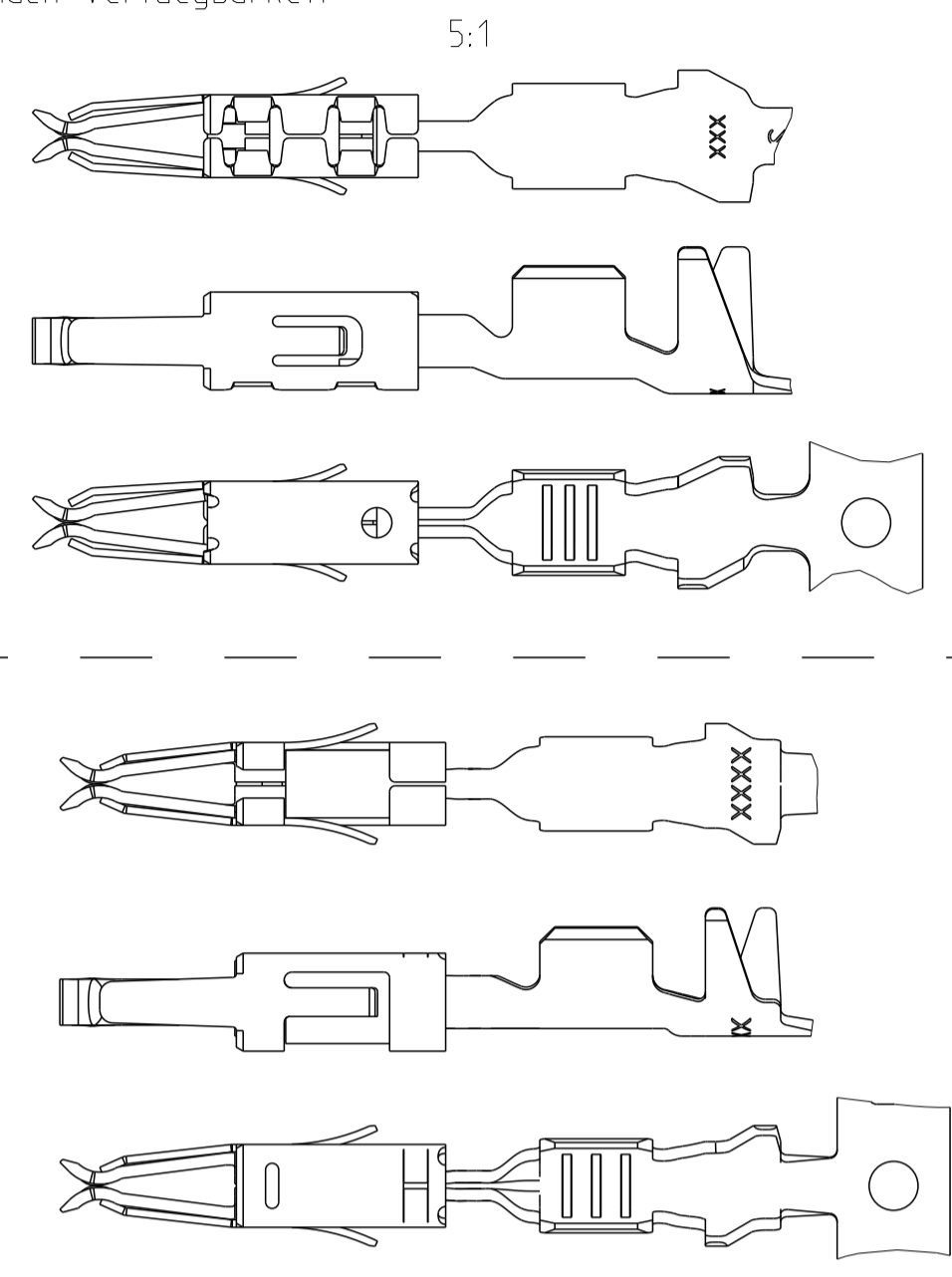


DESIGN 1
Ausführung 1

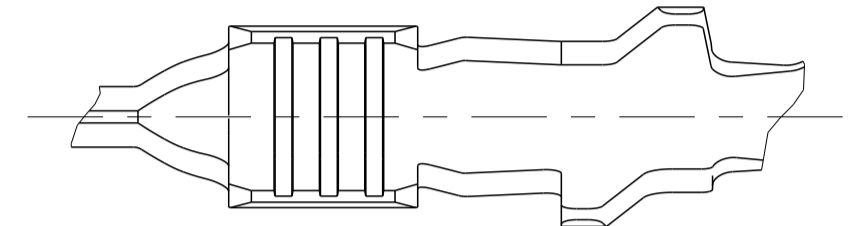
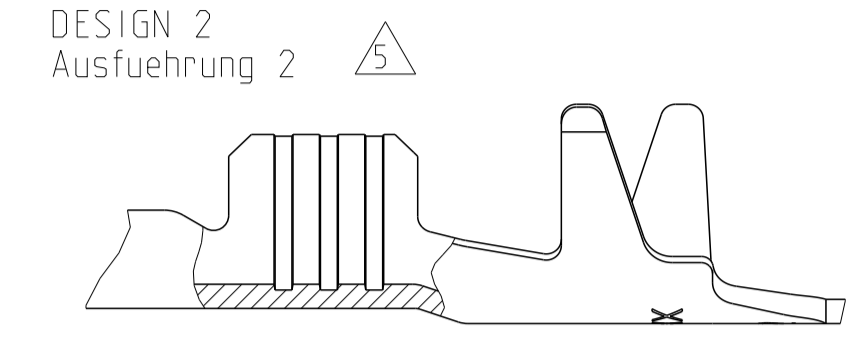


SPRING / Ueberfeder

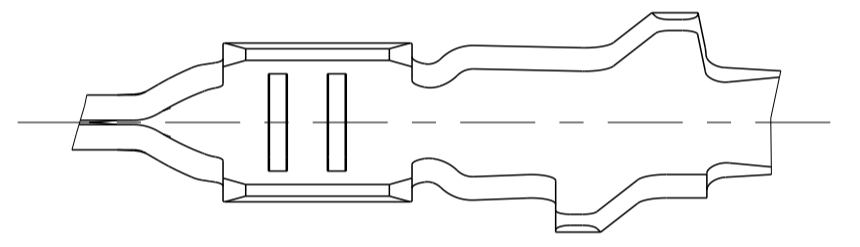
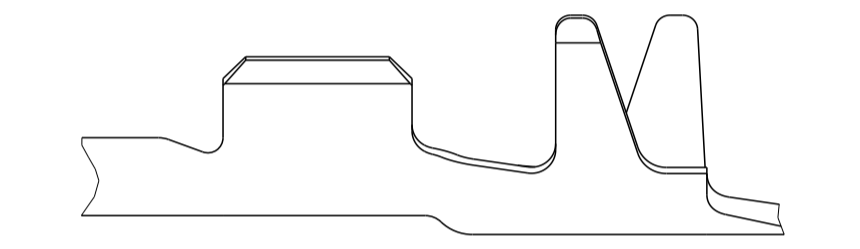
DIFFERENT TOOL DETAILS
 Verschiedene Werkzeugausführungen
 FUNCTION AND HANDLING WITH
 ALL DETAILS CONTINUOUSLY
 Funktion und Handhabung
 bei allen Ausführungen gleich
 SUPPLY BASED ON AVAILABILITY
 Lieferung nach Verfügbarkeit



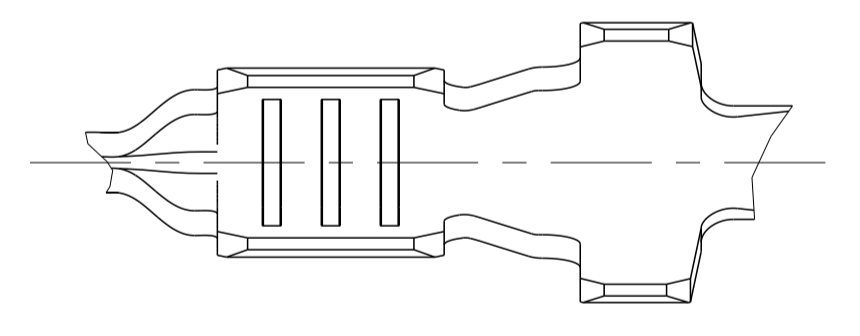
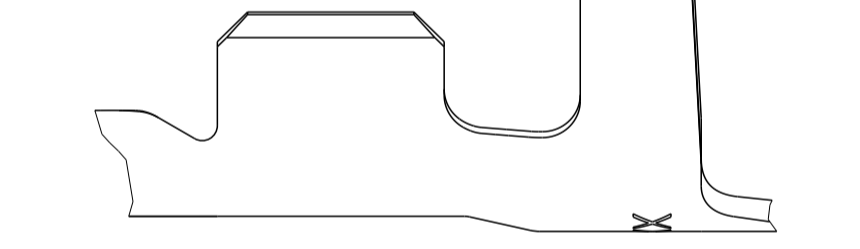
FLR-WIRE
FLR-Leitung



DESIGN 3
Ausführung 3



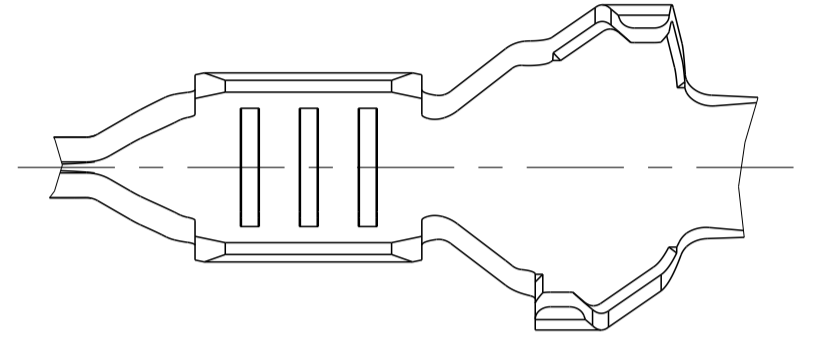
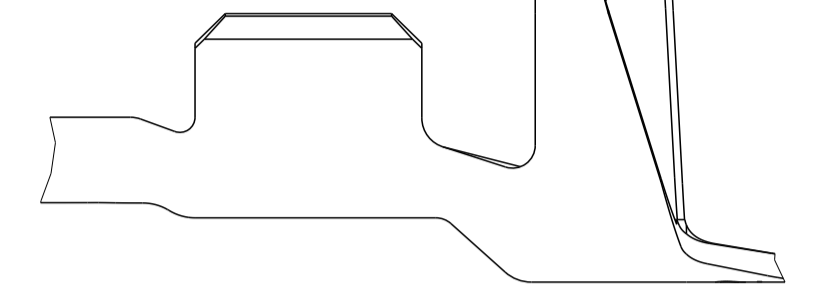
DESIGN 4
Ausführung 4



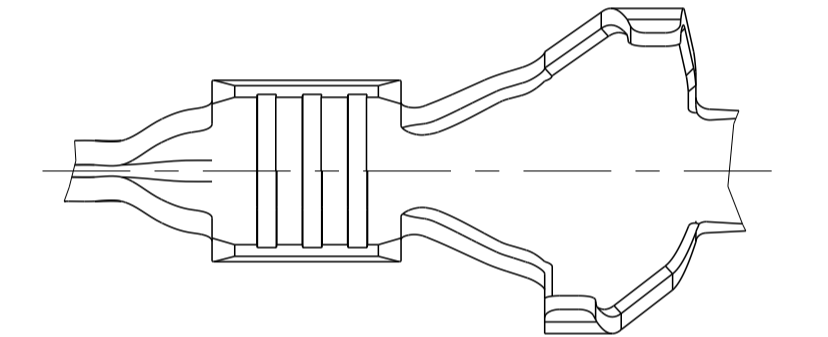
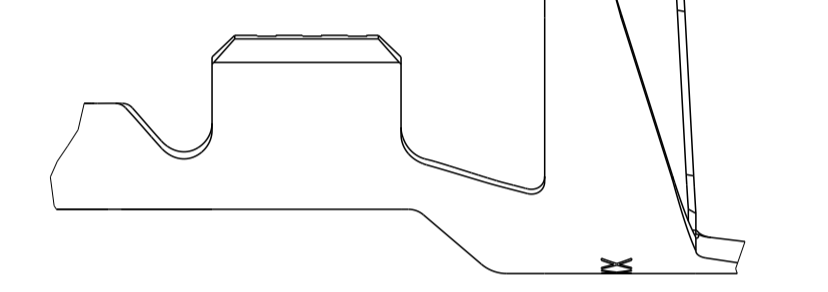
REVISIONS					
P.	LTN	DESCRIPTION	DATE	DMN	APVD
B9		New Creo drawing created and PN's obsolete	16APR2016	Hornika	M. Eder
B10		964274-8 and 2141902-8 added	12FEB2015	Mahrle	Schm.
B11		ADD PRODUCT WEIGHT	10JUN2016	Hornika	Schm.
B12		DRAWING VIEW CORRECTED	17JUN2016	HD	SCH

FLR- AND FLK-CABLE
FLR- und FLK- Leitung

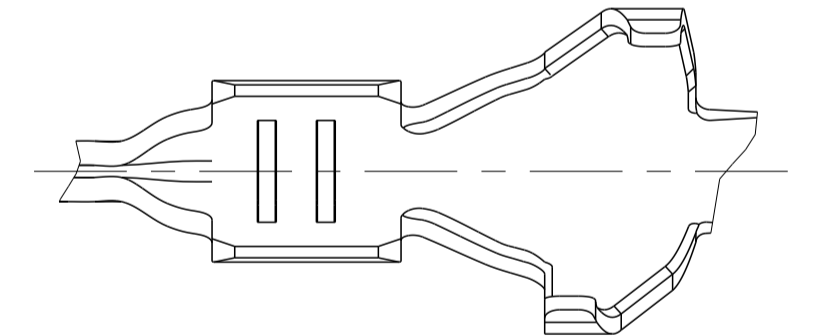
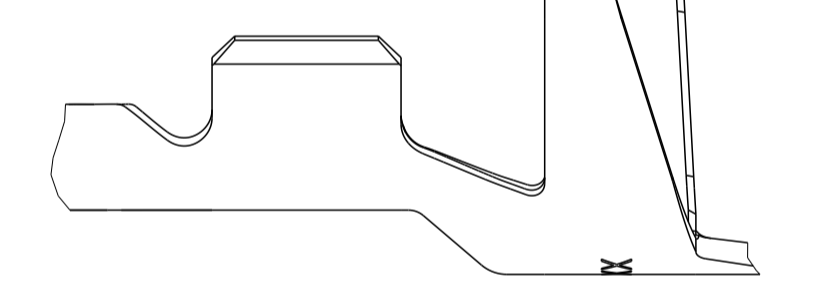
DESIGN 5
Ausführung 5



DESIGN 6
Ausführung 6



DESIGN 7
Ausführung 7



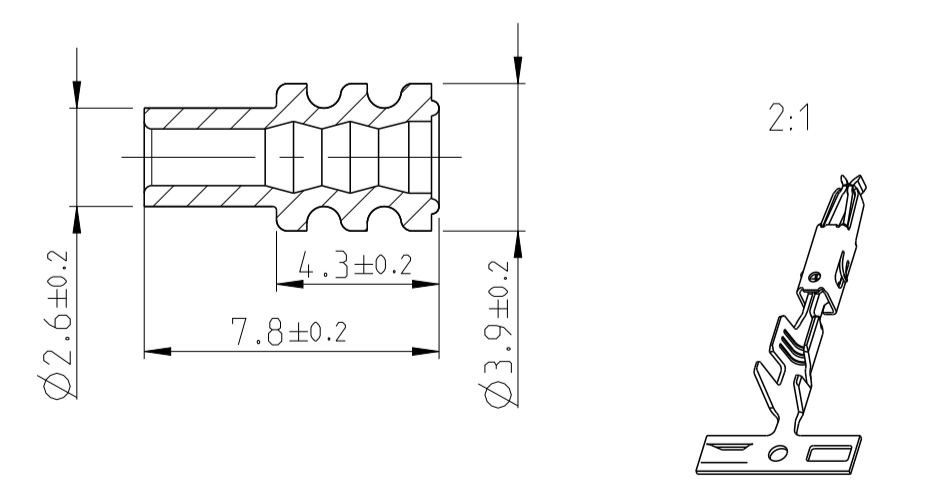
SINGLE WIRE SEAL/ Einzelichtungssystem	REV.	DESIGN Ausführung	MATERIAL Oberflaeche	SURFACE Oberflaeche	WIRE RANGE Drahtgroessen Bereich [mm²]	INSULATION Isolations Ø [mm]	STRIP FORM WIRE CRIMP Drahtcrimp Iso.-Crimp Bandware	A	B	C	CRIMP DATA AND CRIMP TOOL Crimpdaten u. Crimpwerkzeuge
964274-8	A	5	CuFe 2	SILVER PLATED versilbert	0.5-1.0	1.4-2.1	E = 2.5 G = 2.7 D _{Dr} = 1.2	H = 4.3 K = 4.8 D = 2.7	3.0	4.4	6.4
964274-3	E	5	CuSn 4	PRETINNED vorverzinkt	0.5-1.0	1.4-2.1	E = 2.5 G = 2.7 D _{Dr} = 1.2	H = 4.3 K = 4.8 D = 2.7	3.0	4.4	6.4
964274-2	E	5	CuFe 2	PRETINNED vorverzinkt	0.5-1.0	1.4-2.1	E = 2.5 G = 2.7 D _{Dr} = 1.2	H = 4.3 K = 4.8 D = 2.7	3.0	4.4	6.4
2141902-8	A	6	CuFe 2	SILVER PLATED versilbert	0.35	1.2-1.3	E = 2.4 G = 2.3 D _{Dr} = 1.0	H = 4.3 K = 4.8 D = 2.6	2.5	4.4	6.4
2141902-3	A	6	CuSn 4	PRETINNED vorverzinkt	0.35	1.2-1.3	E = 2.4 G = 2.3 D _{Dr} = 1.0	H = 4.3 K = 4.8 D = 2.6	2.5	4.4	6.4
2141902-2	A	6	CuFe 2	PRETINNED vorverzinkt	0.35	1.2-1.3	E = 2.4 G = 2.3 D _{Dr} = 1.0	H = 4.3 K = 4.8 D = 2.6	2.5	4.4	6.4
4-969005-1	F	7	CuNiSi	PRETINNED vorverzinkt	0.2-0.5	1.15-1.6	E = 2.1 G = 2.1 D _{Dr} = 0.8	H = 4.3 K = 4.8 D = 2.6	2.5	4.4	6.4
969005-3	F	7	CuSn 4	PRETINNED vorverzinkt	0.2-0.5	1.15-1.6	E = 2.1 G = 2.1 D _{Dr} = 0.8	H = 4.3 K = 4.8 D = 2.6	2.5	4.4	6.4
969005-2	F	7	CuFe 2	PRETINNED vorverzinkt	0.2-0.5	1.15-1.6	E = 2.1 G = 2.1 D _{Dr} = 0.8	H = 4.3 K = 4.8 D = 2.6	2.5	4.4	6.4
1241844-2	A	1	CuFe 2	PRETINNED vorverzinkt	1.5	2.2-2.4	E = 2.8 G = 3.0 D _{Dr} = 1.4	H = 3.5 K = 3.9 D = 1.9	3.0	4.4	6.4
964348-2	C	4	CuFe 2	PRETINNED vorverzinkt	0.5-1.0	1.4-2.1	E = 2.5 G = 2.7 D _{Dr} = 1.2	H = 3.7 K = 3.9 D = 1.8	3.0	4.6	6.2
964263-3	D	1	CuSn 4	PRETINNED vorverzinkt	0.5-1.0	1.4-2.1	E = 2.5 G = 2.7 D _{Dr} = 1.2	H = 3.2 K = 3.4 D = 1.8	3.0	4.4	6.4
964263-2	D	1	CuFe 2	PRETINNED vorverzinkt	0.5-1.0	1.4-2.1	E = 2.5 G = 2.7 D _{Dr} = 1.2	H = 3.2 K = 3.4 D = 1.8	3.0	4.4	6.4
2141900-3	A	2	CuSn 4	PRETINNED vorverzinkt	0.35	1.2-1.3	E = 2.4 G = 2.3 D _{Dr} = 1.0	H = 2.9 K = 2.9 D = 1.4	2.5	4.4	6.4
2141900-2	A	2	CuFe 2	PRETINNED vorverzinkt	0.35	1.2-1.3	E = 2.4 G = 2.3 D _{Dr} = 1.0	H = 2.9 K = 2.9 D = 1.4	2.5	4.4	6.4
4-964261-1	D	3	CuNiSi	PRETINNED vorverzinkt	0.2-0.5	1.15-1.6	E = 2.1 G = 2.1 D _{Dr} = 0.8	H = 2.9 K = 2.9 D = 1.4	2.5	4.4	6.4
964261-3	D	3	CuSn 4	PRETINNED vorverzinkt	0.2-0.5	1.15-1.6	E = 2.1 G = 2.1 D _{Dr} = 0.8	H = 2.9 K = 2.9 D = 1.4	2.5	4.4	6.4
964261-2	D	3	CuFe 2	PRETINNED vorverzinkt	0.2-0.5	1.15-1.6	E = 2.1 G = 2.1 D _{Dr} = 0.8	H = 2.9 K = 2.9 D = 1.4	2.5	4.4	6.4

SEE APPLICATION - SPECIFICATION
siehe Verarbeitungsspezifikation
114-18081

NOTES
Bemerkungen

- 1 BODY ELECTRO TIN PLATED OVER NICKEL 0.2 µm min.
Kontaktkoerper gal. verzinkt ueber Nickel 0.2 µm min.
CONTACT AREA SELECTIV GOLD OVER NICKEL 0.8 µm min.
Kontaktzone selectiv vergoldet ueber Nickel 0.8 µm min.
WIRE CRIMP AREA ELECTRO TIN PLATED OVER NICKEL 1 µm min.
Drahtcrimpbereich gal. verzinkt ueber Nickel 1 µm min.
- 2 FOR DOUBLE- AND SINGLE TERMINATION
Fuer Doppel- und Einzelanschlaege
- 3 ACCORDING TO INSULATION DIA IS TO CHOOSE THE SINGLE WIRE SEAL
Entsprechend dem Isolationsdurchmesser ist die Einzel-Dichtung auszuwaehlen
- 4 BODY ELECTRO TIN PLATED OVER NICKEL 0.2µm min.
Kontaktkoerper gal. verzinkt ueber Nickel 0.2µm min.
CONTACT AREA SELECTIV GOLD OVER NICKEL 0.2µm min.
Kontaktzone selectiv vergoldet ueber Nickel 0.8µm min.
WIRE CRIMP AREA ELECTRO TIN PLATED 1µm min.
Drahtcrimpbereich gal. verzinkt
- 5 SERRATIONS OVER THE WHOLE WIDTH OF THE WIRE CRIMP AREA
Rillen ueber die ganze Breite des Drahtcrimpbereiches

SINGLE WIRE SEAL Einzel-Dichtung		
964972-1	1.9-2.1	YELLOW gelb
963530-1	1.4-1.9	GREY grau
964971-1	1.2-1.6	RED rot
ORDER No. Bestell-Nr.	INSULATION Ø Isolations Ø	COLOUR Farbe



THIS DRAWING IS A CONTROLLED DOCUMENT.

DIMENSIONS: mm	TOLERANCES UNLESS OTHERWISE SPECIFIED: ±0.2	DMN M. Preilschlitz	18AUG2000	TE Connectivity
MATERIAL	FINISH	CHK V. Huhn	16NOV2001	APVD M. Bleicher
PRODUCT SPEC 108-18055		NAME PRODUCT GROUP DRAWING FOR MICRO TIMER 2 CONTACT TYPE A		
APPLICATION SPEC 114-18081		Produkt-Gruppen-Zeichnung fuer Micro Timer II		
WEIGHT 0.3g		SIZE A1		RESTRICTED TO
Customer Drawing		SCALE 5:1		SHEET 1 OF 1
		REV B12		

X-ON Electronics

Largest Supplier of Electrical and Electronic Components

Click to view similar products for [Automotive Connectors](#) category:

Click to view products by [TE Connectivity](#) manufacturer:

Other Similar products are found below :

[003-018-000](#) [600858](#) [60403001](#) [60993906-B](#) [60993913-B](#) [629515004020001](#) [M902-2131](#) [M902-2161](#) [M902-2344](#) [72.330.1035.1](#)
[73.353.4028.0](#) [F118010](#) [F119300-B](#) [F132210](#) [F132210-B](#) [F166900](#) [F180100](#) [F258300](#) [F258300-B](#) [F294300-B](#) [F339100](#) [F339700](#) [F358300-](#)
[B](#) [F374110](#) [F407400](#) [F412210](#) [F427600](#) [F444110](#) [F487000](#) [F495100-B](#) [F500900-B](#) [F509500B-B](#) [770444-1](#) [776880-1](#) [827153-1](#) [881735-1](#)
[8N1515-32-24P](#) [9-1326727-8](#) [9-1326729-8](#) [925467-1](#) [925474-1](#) [928905-1](#) [936398-2](#) [964562-1](#) [964562-4](#) [964731-2](#) [965051-1](#) [968782-1](#)
[GT17SA-8DS-HU](#) [GT17VS-10DP-5.2CF](#)