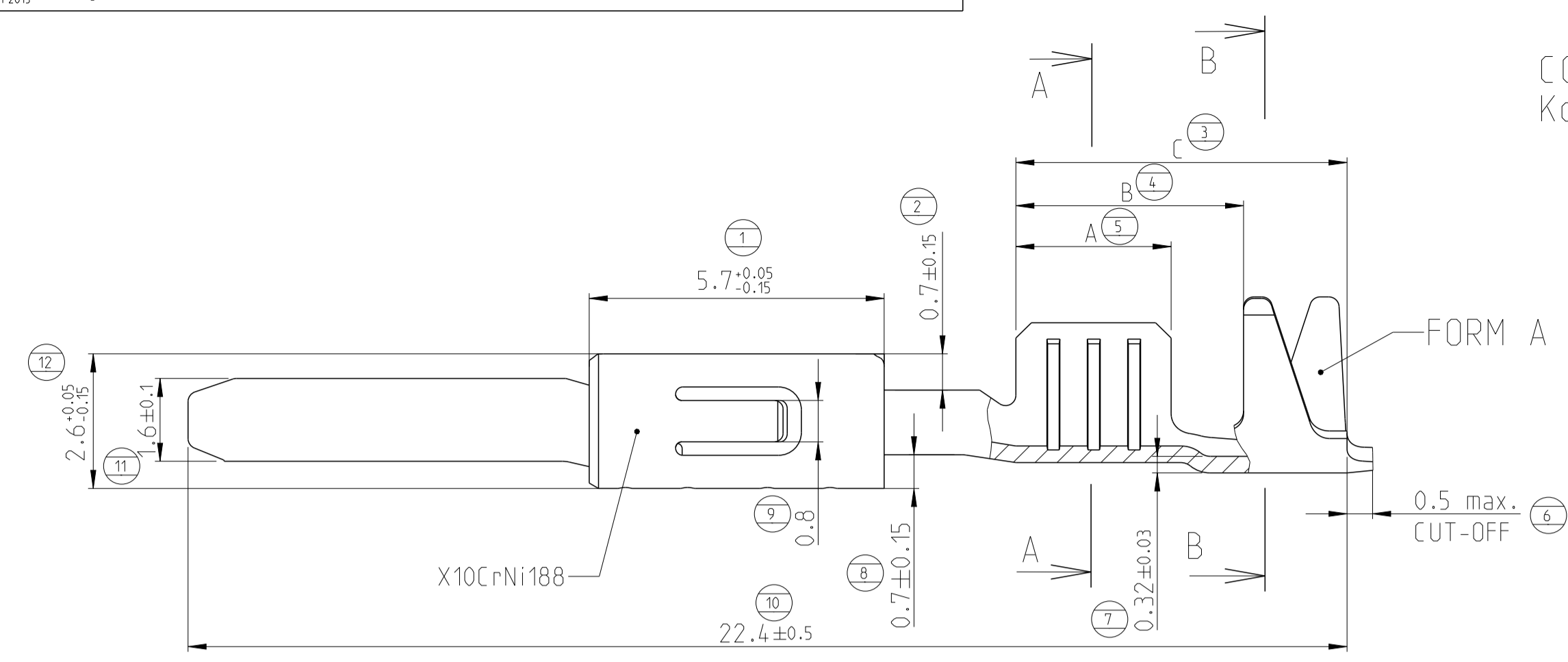
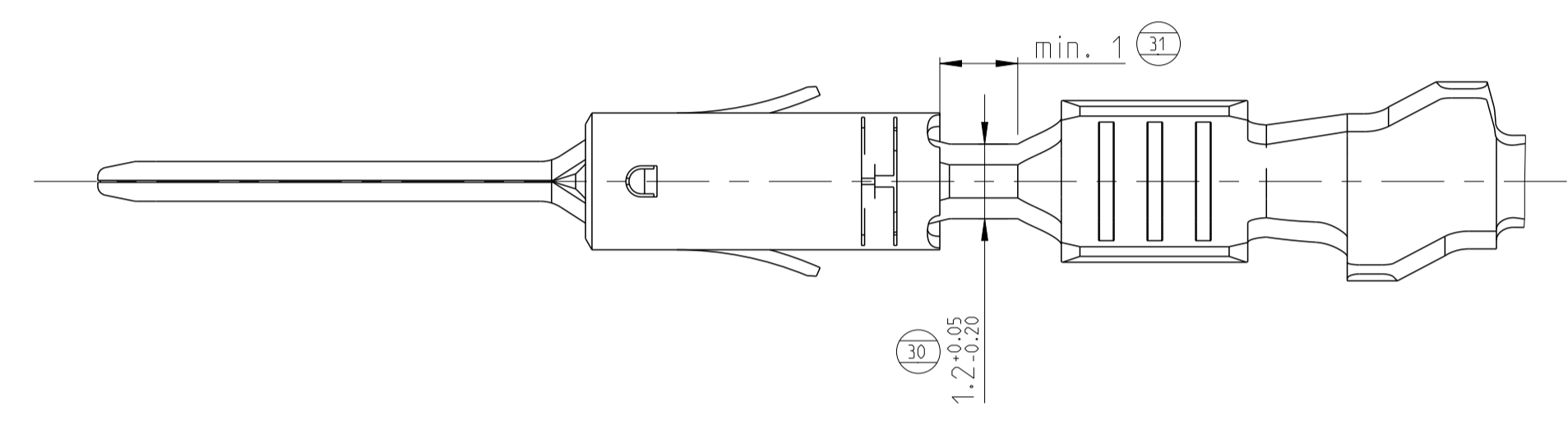
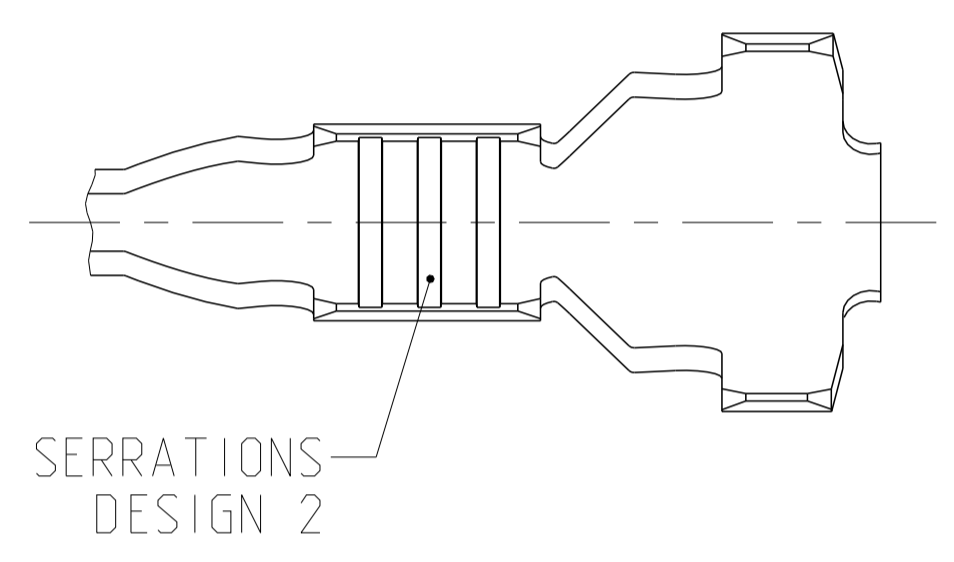
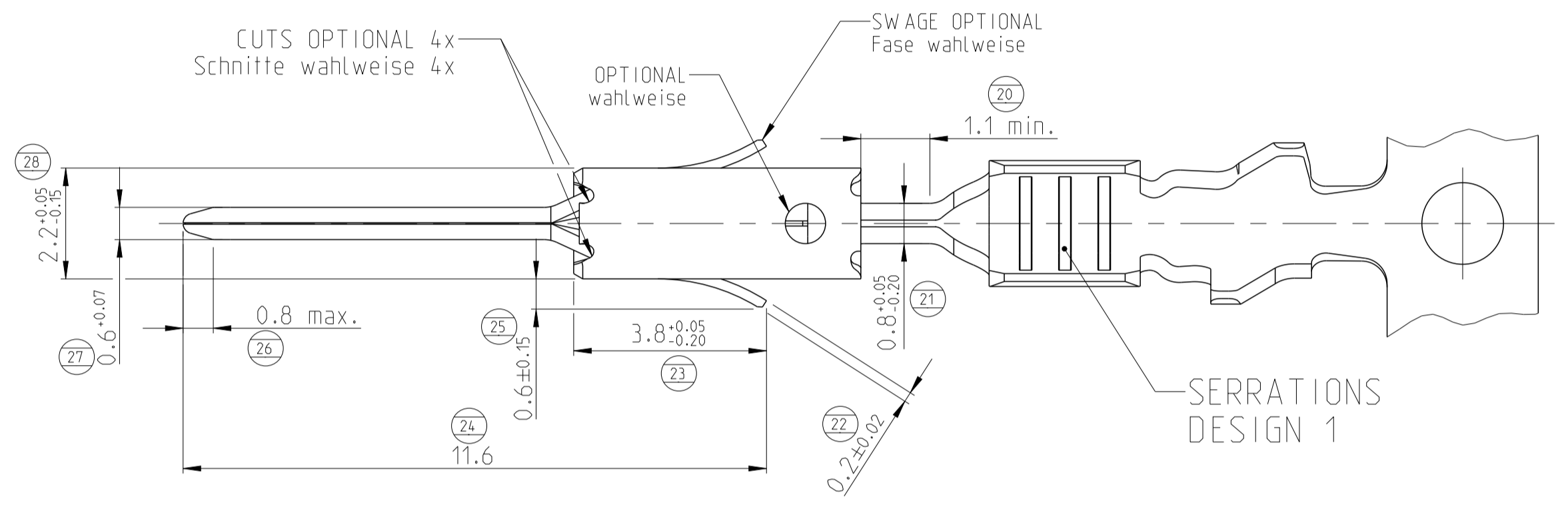
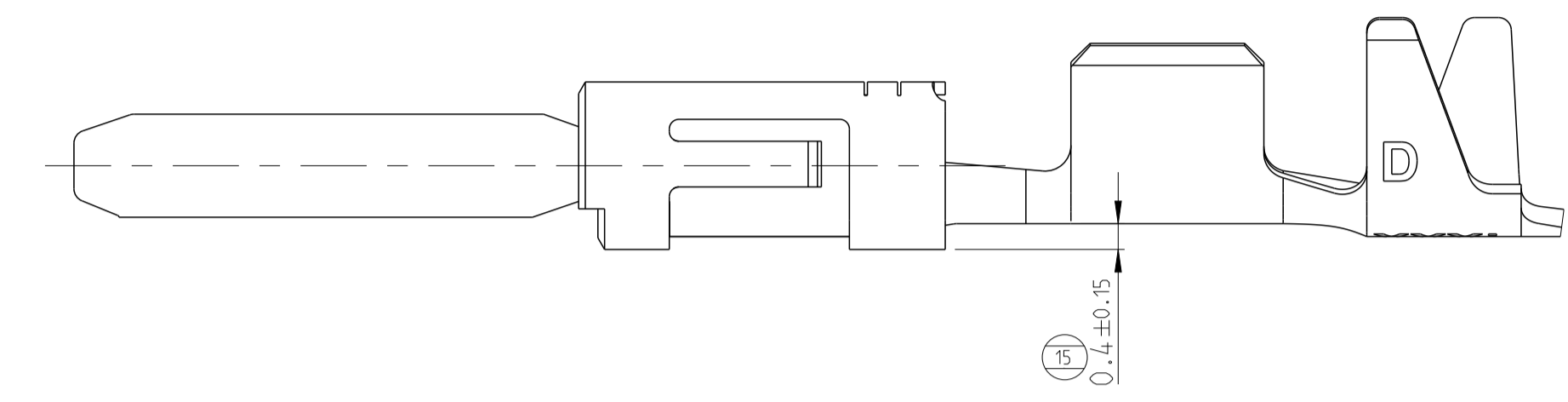


| REVISIONS | | | | |
|-----------|---------------|-------------|-----------|--------|
| P. | LTN | DESCRIPTION | DATE | APVD |
| A18 | ECR-16-006173 | | 04MAY2016 | MB JK |
| A19 | ECR-16-009404 | | 22SEP2016 | MB JK |
| A20 | ECR-17-005648 | | 21OCT2017 | MB PST |
| A21 | ECR-18-014391 | | 24SEP2018 | SCK RP |

CONTACTS FOR FLR-CABLE
 Kontakte fuer FLR-Leitung

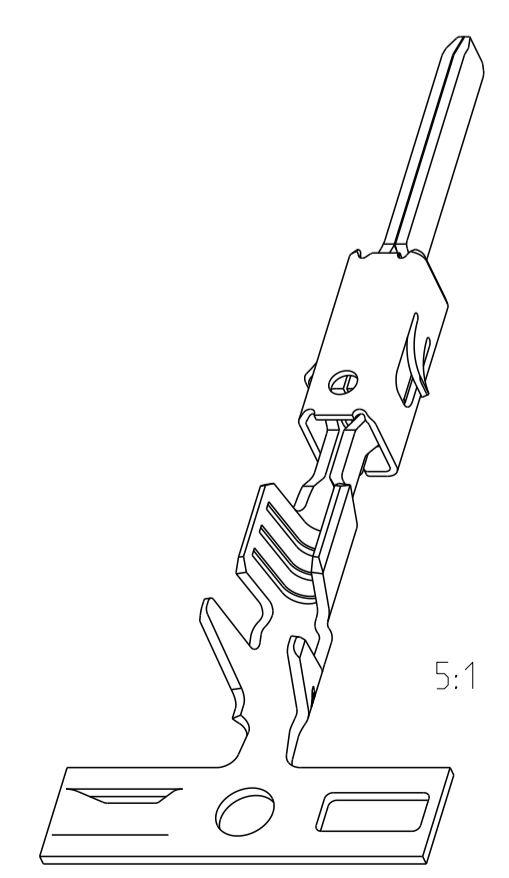
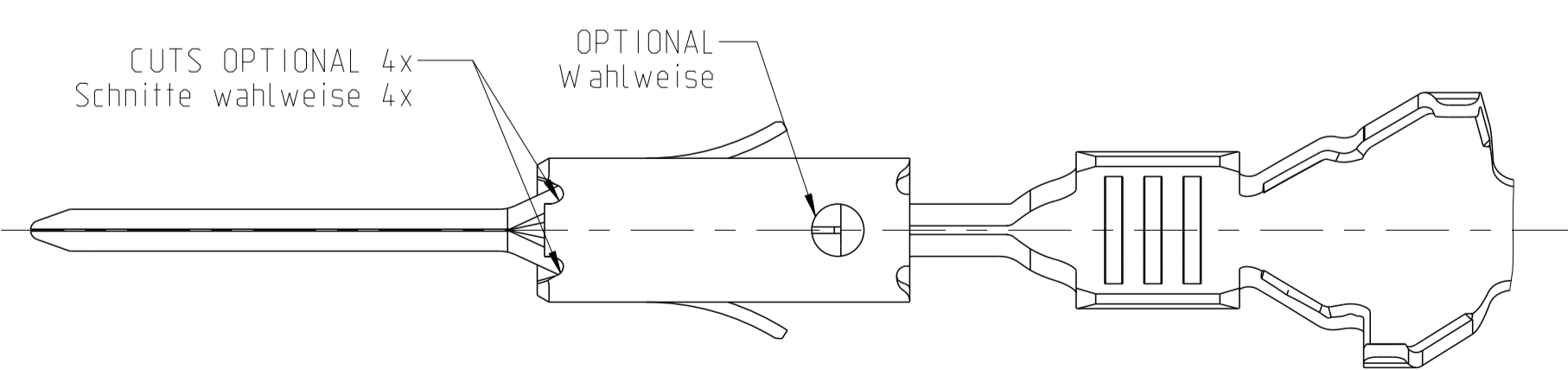
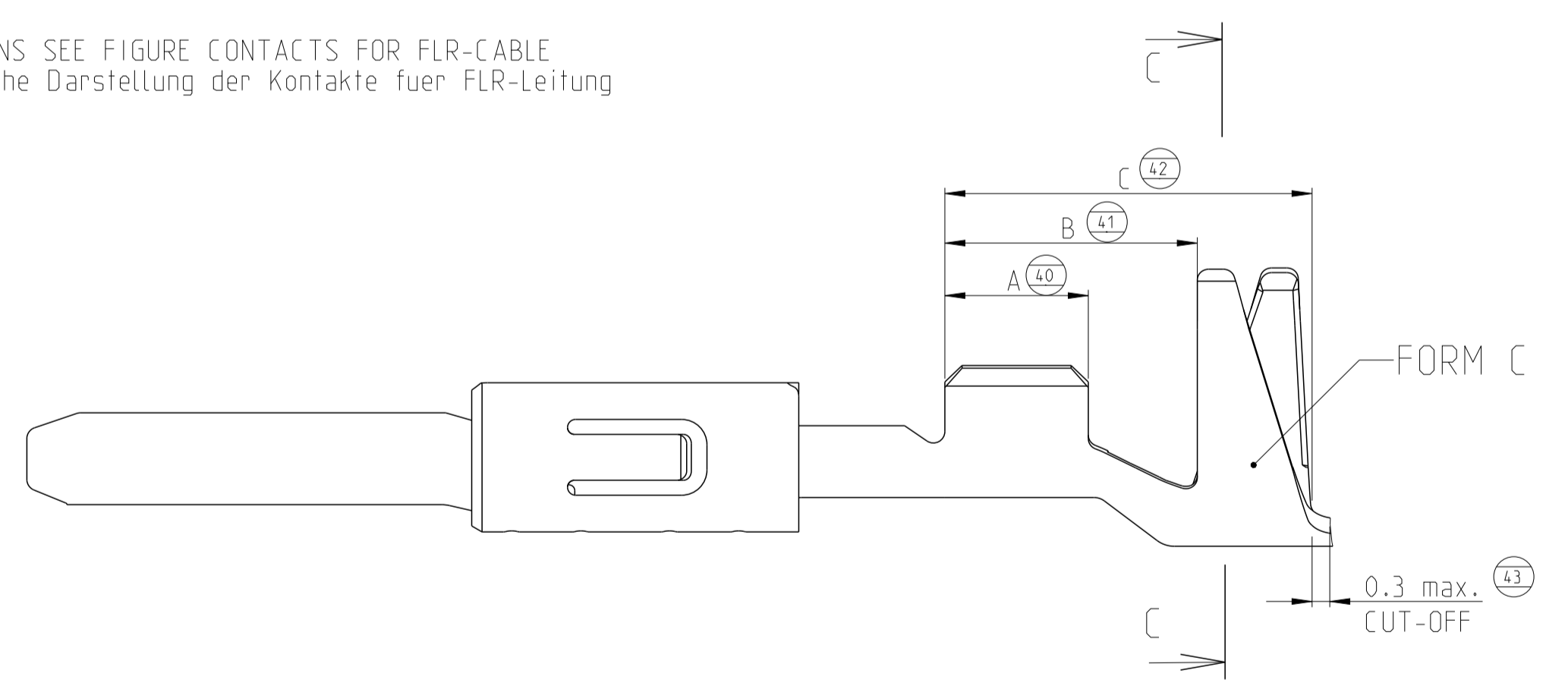


DESIGN 963898 / 963900 / 963904
 Ausfuehrung 963898 / 963900 / 963904

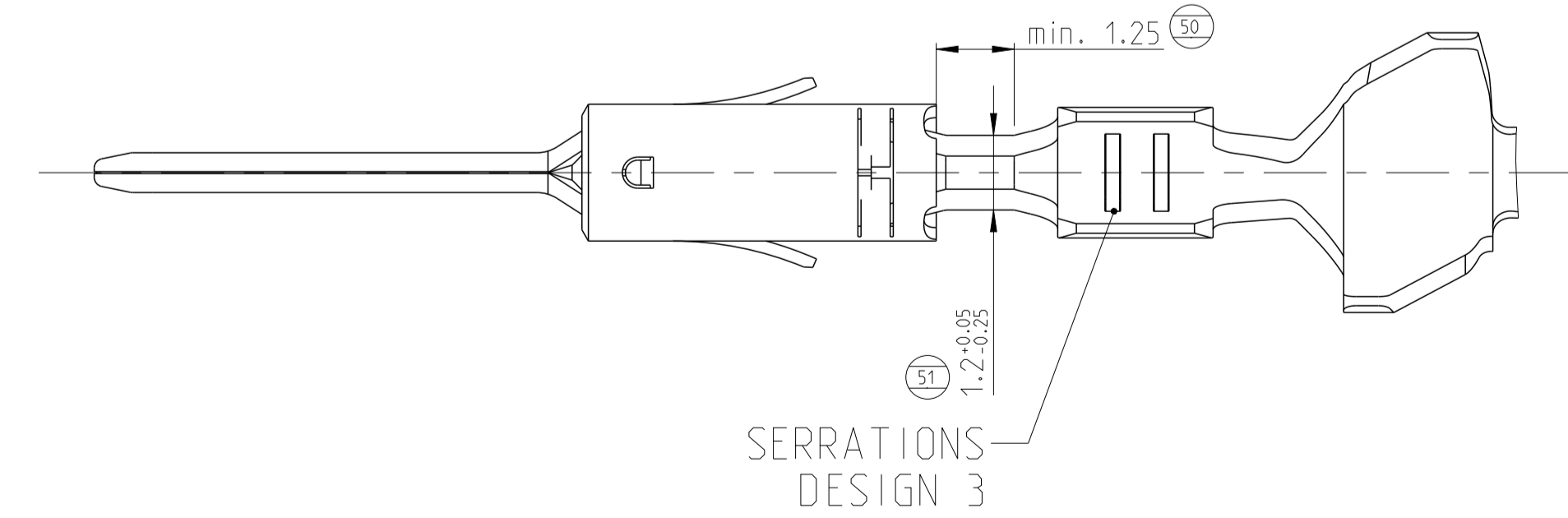
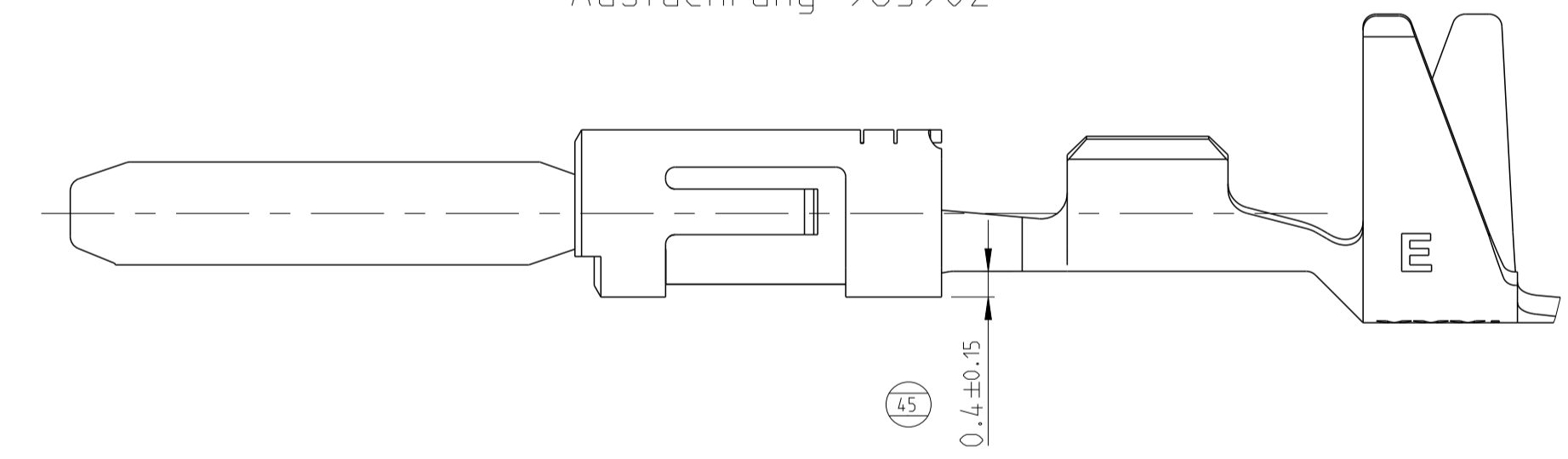


CONTACTS FOR SINGLE WIRE SEALING SYSTEM:
 FLR- AND FLK-CABLE
 Kontakte fuer Einzeldichtung-System:
 FLR- und FLK-Leitung

DIMENSIONS SEE FIGURE CONTACTS FOR FLR-CABLE
 Masse siehe Darstellung der Kontakte fuer FLR-Leitung

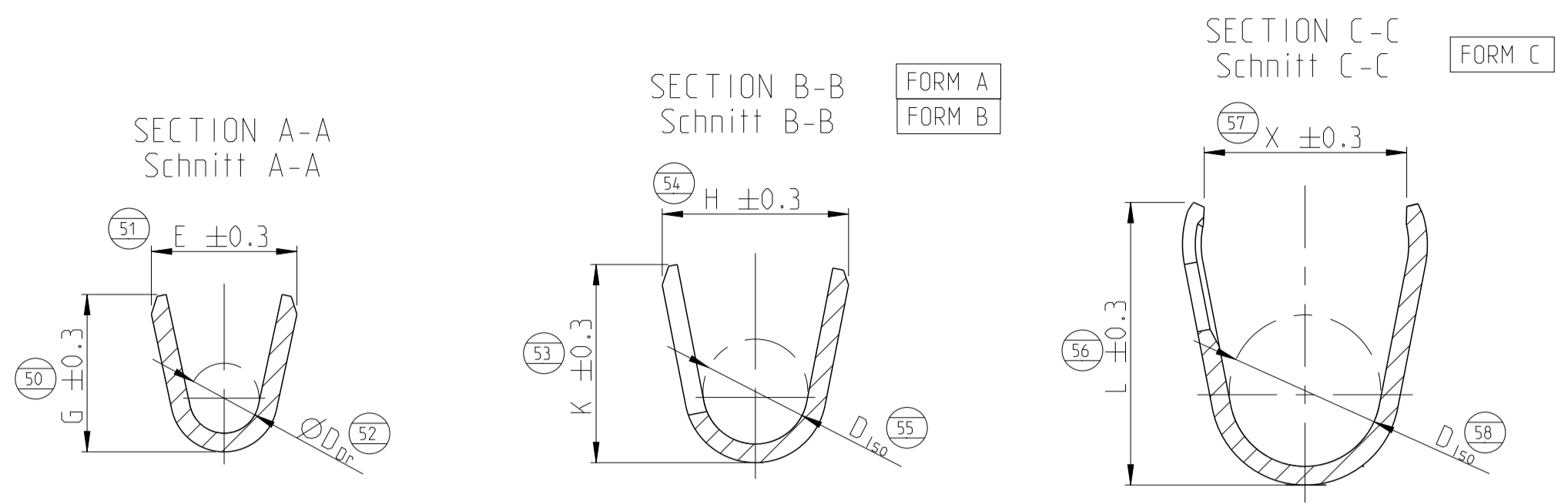


DESIGN 963902
 Ausfuehrung 963902



| | | | |
|---|--|---|-----------------------------|
| THIS DRAWING IS A CONTROLLED DOCUMENT. | | OWN: T. Bertsch 11JUN1997 | TE Connectivity |
| DIMENSIONS: mm | | CHK: U. Muenk 11JUN1997 | |
| TOLERANCES UNLESS OTHERWISE SPECIFIED: ±0.2 | | APVD: M. Bleicher 02MAR2011 | NAME: PRODUCT GROUP DRAWING |
| MATERIAL: SEE TABLE sheet 2 siehe Tabelle | | FINISH: SEE TABLE sheet 2 siehe Tabelle | TAB 1.6 x 0.6 |
| WEIGHT: - | | SIZE: 114-18082 | Flachstecker 1.6 x 0.6 |
| CUSTOMER DRAWING | | SCALE: 10:1 | SHEET 1 OF 2 |
| | | REVISION: A21 | |

| REVISIONS | | | | |
|-----------|-----|-------------|------|------|
| P. | LTN | DESCRIPTION | DATE | APPV |
| - | - | SEE SHEET 1 | - | - |
| | | | | |
| | | | | |



| SINGLE WIRE SEAL / Einzelichtungssystem | TE ORDER-NO. | REV | DESIGN SERRATIONS | MATERIAL | SURFACE | DGB | INSULATION | SEE / siehe SECTION A-A Schnitt A-A | SEE / siehe SECTION B-B / C-C Schnitt B-B / C-C | HAND TOOL | INSERT | A | B | C | X | TE ORDER-NO. | CRIMP DATA AND CRIMP TOOL | | | | | | |
|---|--------------|-----|-------------------|----------|------------|------------|---|--|---|----------------------|----------|-----|-----|-----|-----|--------------|---|----------------------|-----|-----|-----|-----|---|
| | | | | | | | | E = 2.8 G = 3.0 D _{Dr} = 1.4 | L = 4.9 D _{ISO} = 2.9 | | | | | | | | | | | | | | |
| UNSEALED / ungedichtet | 1703278-5 | A | 1 | CuSn4 | 5 | 1.5 | 1.95 - 2.4 | E = 2.8 G = 3.0 D _{Dr} = 1.4 | L = 4.9 D _{ISO} = 2.9 | 169400-0 539635-1 | 539960-1 | - | 3.0 | 4.4 | 6.4 | 3.6 | SEE APPLICATION SPECIFICATION 114-18082 siehe Verarbeitungsspezifikation 114-18082 | | | | | | |
| | 1703278-2 | A | 1 | CuFe2 | 4 | 0.5 - 1.0 | 1.4 - 2.1 | E = 2.5 G = 2.7 D _{Dr} = 1.2 | L = 4.8 D _{ISO} = 2.7 | | | | | | | | | 539612-1 539663-2 | 3.0 | 4.4 | 6.4 | 3.3 | - |
| | 2-964269-2 | A | 1 | CuFe2 | 5 | | | | | | | | | | | | | | | | | | |
| | 964269-5 | A | 1 | CuSn4 | 5 | | | | | | | | | | | | | | | | | | |
| | 964269-3 | E | 1 | CuSn4 | 1 | 0.5 - 1.0 | 1.4 - 2.1 | E = 2.6 G = 2.8 D _{Dr} = 1.2 | H = 4.5 K = 4.8 D _{ISO} = 2.7 | | | | | | | | | 539651-2 | 3.0 | 4.6 | 7.0 | - | |
| | 964269-2 | D | 1 | CuFe2 | 4 | | | | | | | | | | | | | | | | | | |
| | 963904-3 | G | 1 | CuSn4 | 1 | | | | | | | | | | | | | | | | | | |
| | 963904-2 | F | 1 | CuFe2 | 4 | 0.35 | 1.15 - 1.6 | E = 2.4 G = 2.3 D _{Dr} = 1.0 | L = 4.8 D _{ISO} = 2.6 | | | | | | | | | 539663-2 | 2.5 | 4.4 | 6.4 | 3.3 | |
| | 963904-1 | F | 1 | CuSn4 | 4 | | | | | | | | | | | | | | | | | | |
| | 2141884-5 | A | 2 | CuSn4 | 5 | | | | | | | | | | | | | | | | | | |
| | 2141884-3 | B | 2 | CuSn4 | 1 | 0.2 - 0.5 | 1.15 - 1.6 | E = 2.1 G = 2.1 D _{Dr} = 0.8 | X = 4.3 L = 4.8 D _{ISO} = 2.6 | | | | | | | | | 539612-1 539663-2 | 2.5 | 4.4 | 6.4 | 3.3 | |
| | 2-2141884-2 | A | 2 | CuFe2 | 5 | | | | | | | | | | | | | | | | | | |
| | 2141884-2 | A | 2 | CuFe2 | 4 | | | | | | | | | | | | | | | | | | |
| | 969028-5 | A | 3 | CuSn4 | 5 | 0.2 - 0.5 | 1.15 - 1.6 | E = 2.1 G = 2.1 D _{Dr} = 0.8 | H = 4.5 K = 4.8 D _{ISO} = 2.7 | | | | | | | | | 539651-2 | 2.5 | 4.6 | 7.0 | - | |
| | 969028-3 | E | 3 | CuSn4 | 1 | | | | | | | | | | | | | | | | | | |
| | 969028-2 | D | 3 | CuFe2 | 4 | | | | | | | | | | | | | | | | | | |
| | 963902-3 | E | 3 | CuSn4 | 1 | 0.2 - 0.5 | 1.15 - 1.6 | E = 2.1 G = 2.1 D _{Dr} = 0.8 | H = 3.5 K = 3.9 D _{ISO} = 1.9 | | | | | | | | | 169400-0 539635-1 | - | 3.0 | 4.4 | 6.4 | - |
| | 963902-2 | D | 3 | CuFe2 | 4 | | | | | | | | | | | | | | | | | | |
| 963902-1 | D | 3 | CuSn4 | 4 | | | | | | | | | | | | | | | | | | | |
| 1241846-5 | A | 1 | CuSn4 | 5 | 0.5 - 1.0 | 1.4 - 2.1 | E = 2.5 G = 2.8 D _{Dr} = 1.2 | H = 3.7 K = 3.9 D _{ISO} = 1.8 | - | - | 3.0 | 4.6 | 6.2 | - | | | | | | | | | |
| 1241846-3 | B | 1 | CuSn4 | 1 | | | | | | | | | | | | | | | | | | | |
| 1241846-2 | A | 1 | CuFe2 | 4 | | | | | | | | | | | | | | | | | | | |
| 1241846-1 | A | 1 | CuSn4 | 4 | 0.5 - 1.0 | 1.4 - 2.1 | E = 2.5 G = 2.7 D _{Dr} = 1.2 | H = 3.2 K = 3.4 D _{ISO} = 1.8 | 539612-1 539663-2 | 3.0 | 4.4 | 6.4 | - | | | | | | | | | | |
| 969079-3 | C | 1 | CuSn4 | 1 | | | | | | | | | | | | | | | | | | | |
| 969079-2 | B | 1 | CuFe2 | 4 | | | | | | | | | | | | | | | | | | | |
| 964267-4 | A | 1 | CuSn4 | 5 | 0.5 - 1.0 | 1.4 - 2.1 | E = 2.6 G = 2.8 D _{Dr} = 1.2 | H = 3.2 K = 3.4 D _{ISO} = 1.8 | 539651-2 | 3.0 | 4.6 | 7.0 | - | | | | | | | | | | |
| 964267-3 | D | 1 | CuSn4 | 1 | | | | | | | | | | | | | | | | | | | |
| 964267-2 | C | 1 | CuFe2 | 4 | | | | | | | | | | | | | | | | | | | |
| 964267-1 | C | 1 | CuSn4 | 4 | 0.5 - 1.0 | 1.4 - 2.1 | E = 2.1 G = 2.1 D _{Dr} = 0.8 | H = 2.9 K = 2.9 D _{ISO} = 1.4 | 539651-2 | 2.5 | 4.6 | 7.0 | - | | | | | | | | | | |
| 963900-4 | E | 1 | CuSn4 | 1 | | | | | | | | | | | | | | | | | | | |
| 963900-3 | E | 1 | CuSn4 | 1 | | | | | | | | | | | | | | | | | | | |
| 963900-2 | D | 1 | CuFe2 | 4 | 0.2 - 0.5 | 1.15 - 1.6 | E = 2.4 G = 2.3 D _{Dr} = 1.0 | H = 2.9 K = 2.9 D _{ISO} = 1.4 | 539633-2 | 2.5 | 4.4 | 6.4 | - | | | | | | | | | | |
| 963900-1 | D | 1 | CuSn4 | 4 | | | | | | | | | | | | | | | | | | | |
| 963898-3 | E | 3 | CuSn4 | 1 | | | | | | | | | | | | | | | | | | | |
| 963898-2 | D | 3 | CuFe2 | 4 | 0.2 - 0.35 | 1.15 - 1.6 | E = 2.1 G = 2.1 D _{Dr} = 0.8 | H = 2.9 K = 2.9 D _{ISO} = 1.4 | 539612-1 539663-2 | 2.5 | 4.4 | 6.4 | - | | | | | | | | | | |
| 963898-1 | D | 3 | CuSn4 | 4 | | | | | | | | | | | | | | | | | | | |
| 2141882-3 | B | 2 | CuSn4 | 1 | | | | | | | | | | | | | | | | | | | |
| 2141882-2 | A | 2 | CuFe2 | 4 | 0.2 - 0.35 | 1.15 - 1.6 | E = 2.1 G = 2.1 D _{Dr} = 0.8 | H = 2.9 K = 2.9 D _{ISO} = 1.4 | - | - | 2.5 | 4.4 | 6.4 | - | | | | | | | | | |
| 964265-5 | A | 3 | CuSn4 | 5 | | | | | | | | | | | | | | | | | | | |
| 964265-3 | D | 3 | CuSn4 | 1 | | | | | | | | | | | | | | | | | | | |
| 964265-2 | C | 3 | CuFe2 | 4 | | | | | | | | | | | | | | | | | | | |

- 1 CONTACT AREA SELECTIVE GOLD 0.8µm MIN. OVER NICKEL.
WIRE CRIMP AREA ELECTRO TIN PLATED 1µm MIN. OVER NICKEL
Kontaktzone selectiv vergoldet 0.8µm min. ueber Ni
Drahtcrimpbereich gal. verzinkt 1µm min. ueber Ni
- 2 FOR DOUBLE- AND SINGLE TERMINATION
fuer Doppel- und Einzelanschlaege
- 3 SINGLE WIRE SEAL TO BE SELECTED ACCORDING TO INSULATION-DIA
ACCORDING TO APPLICATION SPECIFICATION 114-18082
Auswahl der Eubzeldichtung entsprechend dem Isolationsdurchmesser nach
Verarbeitungsspezifikation 114-18082
- 4 TIN PLATED
vorverzinkt
- 5 CONTACT AREA SELECTIVE SILVER 3µm MIN. OVER NICKEL.
WIRE CRIMP AREA ELECTRO TIN PLATED 1.5µm MIN. OVER NICKEL
Kontaktzone selectiv versilbert 3µm min. ueber Ni
Drahtcrimpbereich gal. verzinkt 1.5µm min. ueber Ni
- 6 DIFFERENT TOOL DETAILS
FUNCTION AND HANDLING WITH ALL DETAILS CONTINUOUSLY
SUPPLY AFTER AVAILABILITY
Verschiedene Werkzeugausfuehrungen
Funktion und Handhabung bei allen Ausfuehrungen gleich
Lieferung nach Verfuegbarkeit

| TE ORDER-NO. | REV | DESIGN SERRATIONS | MATERIAL | SURFACE | DGB | INSULATION | STRIP FORM WIRE CRIMP Drahtcrimp | INSUL. CRIMP Isolationscrimp Bandware | HAND TOOL | INSERT | A | B | C | X | TE ORDER-NO. | CRIMP DATA AND CRIMP TOOL |
|--------------|-----|------------------------|-----------|-------------|-----------------|------------|--|---------------------------------------|-----------|---------|---------------------------|---|---|---|-------------------|------------------------------|
| | | Ausfuehrung Serrations | Werkstoff | Oberflaeche | mm ² | Isolations | CRIMP DIMENSION mm Crimpabmessungen mm | | Handzange | Matrize | DIMENSION mm Abmessung mm | | | | Ausdrueckwerkzeug | Crimpdata und Crimpwerkzeuge |

THIS DRAWING IS A CONTROLLED DOCUMENT. OWN: T. Bertsch 11JUN1997
 CHK: U. Muenk 11JUN1997
 APPV: M. Bleicher 02MAR2011

STE TE Connectivity

PRODUCT GROUP DRAWING
 TAB 1.6 x 0.6 TYPE A
 Flachsfecker 1.6 x 0.6 Typ A

SIZE: A1 CAGE CODE: 00779 DRAWING NO: 114-18082
 WEIGHT: -
 CUSTOMER DRAWING

SCALE: 10:1 SHEET: 2 OF 2 REV: A21

X-ON Electronics

Largest Supplier of Electrical and Electronic Components

Click to view similar products for [Automotive Connectors](#) category:

Click to view products by [TE Connectivity](#) manufacturer:

Other Similar products are found below :

[003-018-000](#) [60403001](#) [60993906-B](#) [M902-2131](#) [M902-2161](#) [M902-2344](#) [72.330.1035.1](#) [73.353.4028.0](#) [F119300-B](#) [F166900](#) [F258300-B](#)
[F358300-B](#) [F407400](#) [F444110](#) [F487000](#) [F509500B-B](#) [827153-1](#) [8N1515-32-24P](#) [9-1326729-8](#) [925474-1](#) [928905-1](#) [964562-4](#) [968782-1](#)
[GT17SA-8DS-HU](#) [98891-1012](#) [98947-1016](#) [12004147](#) [12004475-L](#) [12010290](#) [12010309-B](#) [12015454](#) [12020219-B](#) [12041318-B](#) [12052225-](#)
[L](#) [12052466](#) [12064869](#) [12004327-B](#) [12015308](#) [12015384](#) [12015909](#) [1-21030-1](#) [12041254](#) [12041318](#) [12047946-B](#) [12047957](#) [12047957-L](#)
[12059473](#) [12066261](#) [12110546](#) [12110546-B](#)