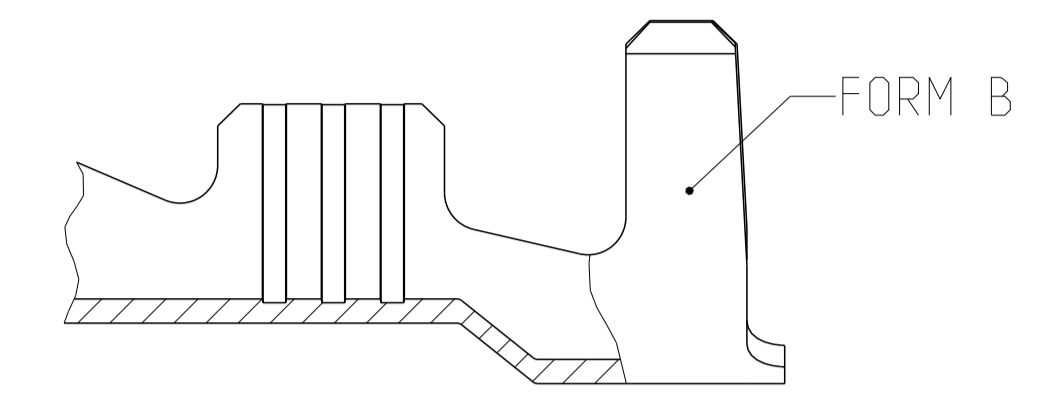
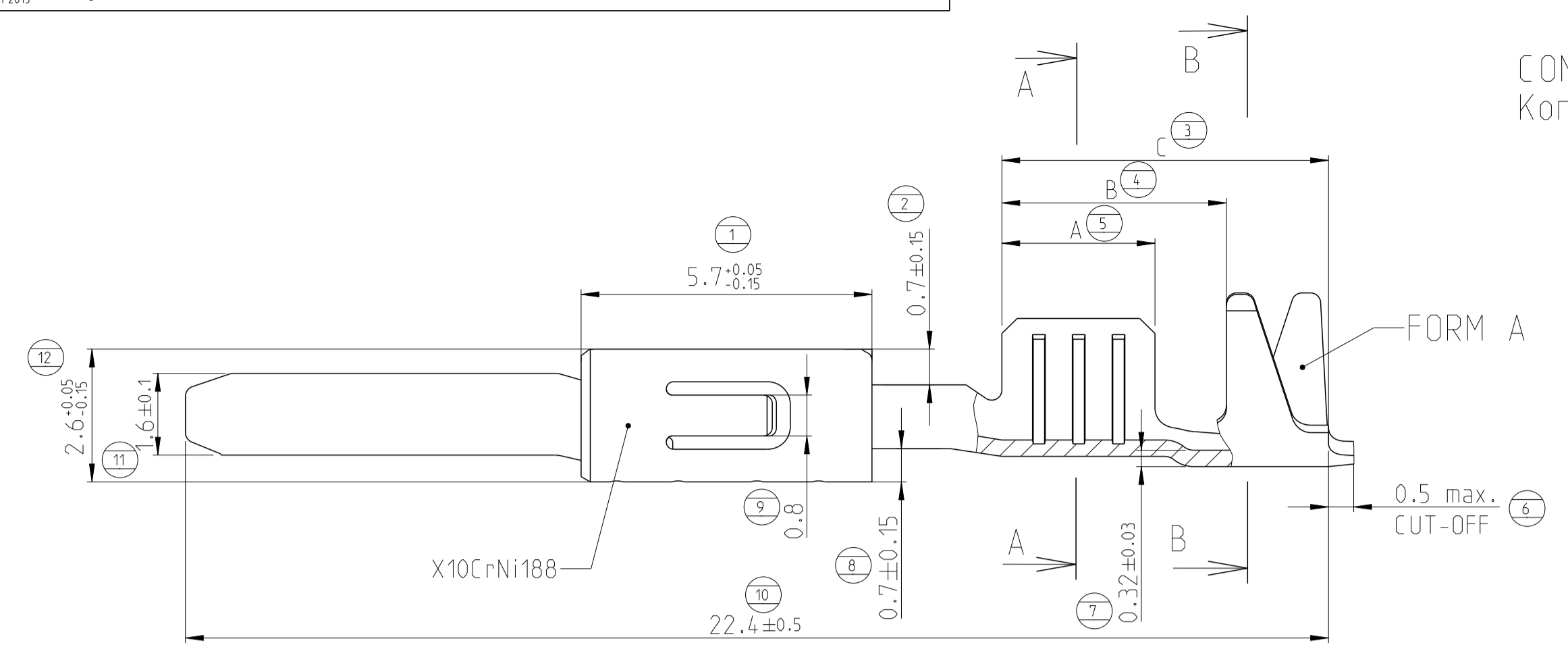
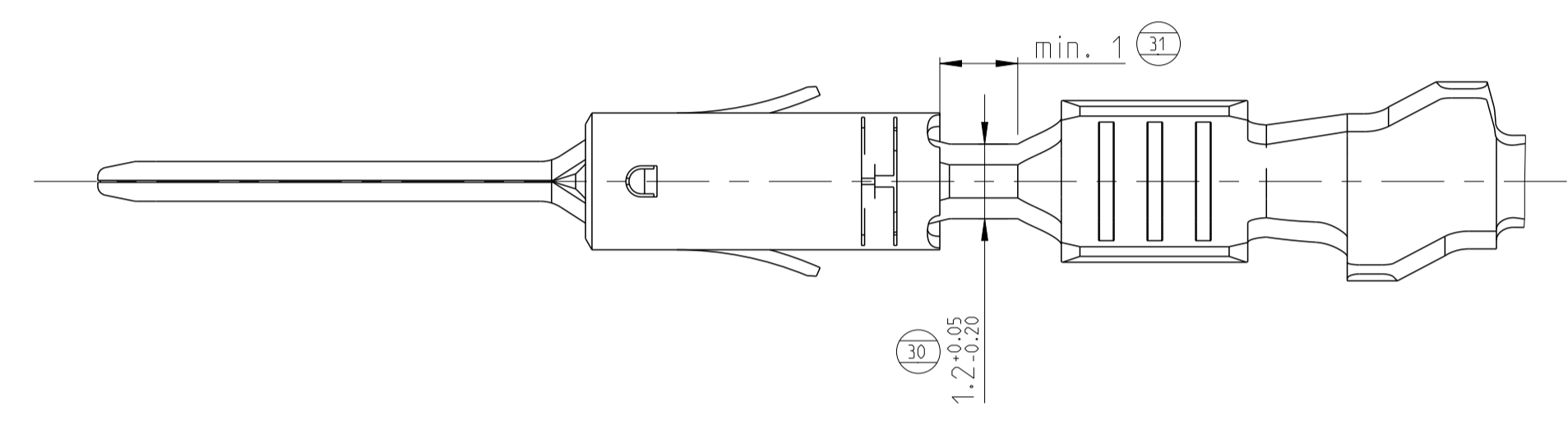
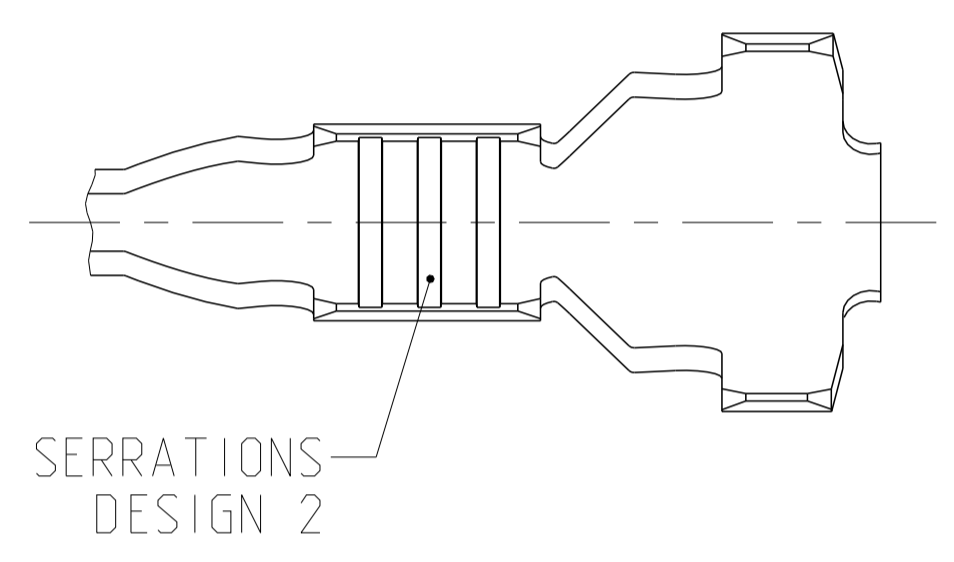
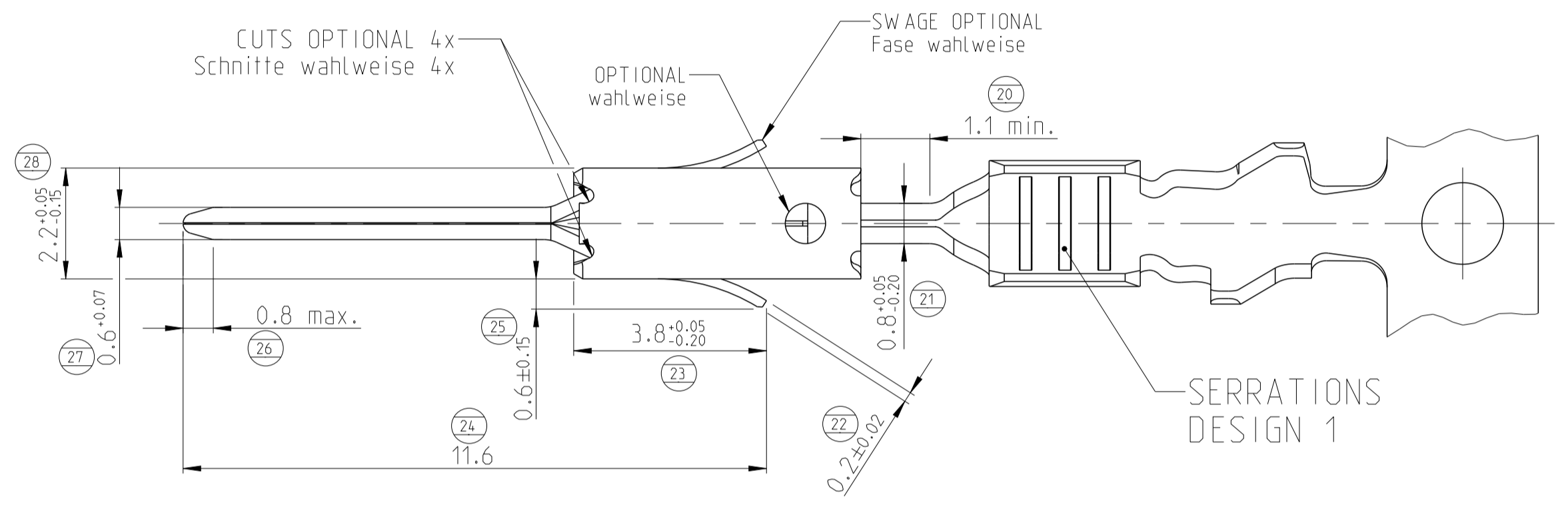
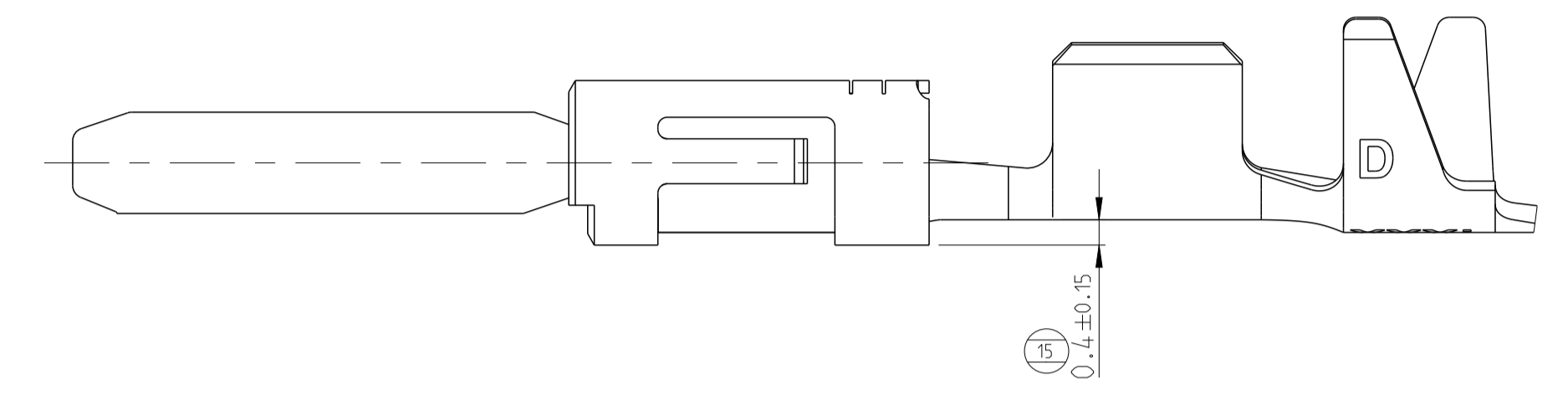


REVISIONS				
P.	LTN	DESCRIPTION	DATE	APVD
A18	ECR-16-006173		04MAY2016	MB JK
A19	ECR-16-009404		22SEP2016	MB JK
A20	ECR-17-005648		21OCT2017	MB PST
A21	ECR-18-014391		24SEP2018	SCK RP

CONTACTS FOR FLR-CABLE
 Kontakte fuer FLR-Leitung

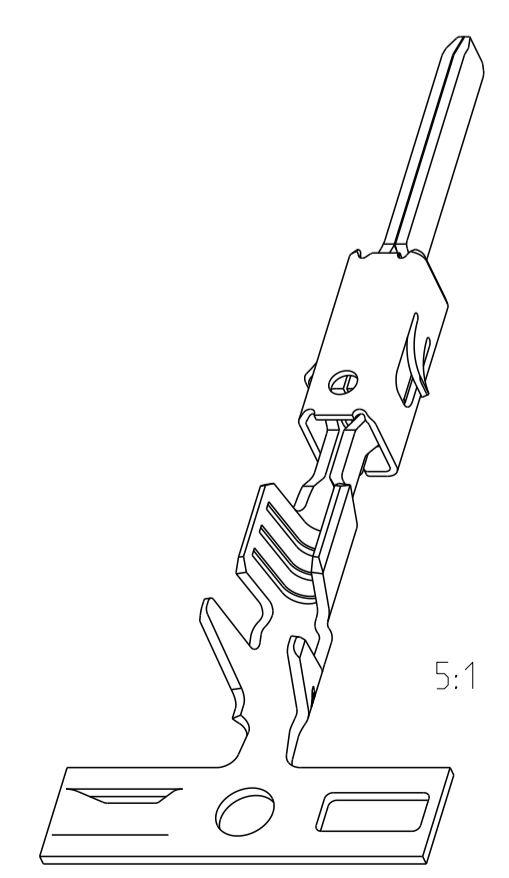
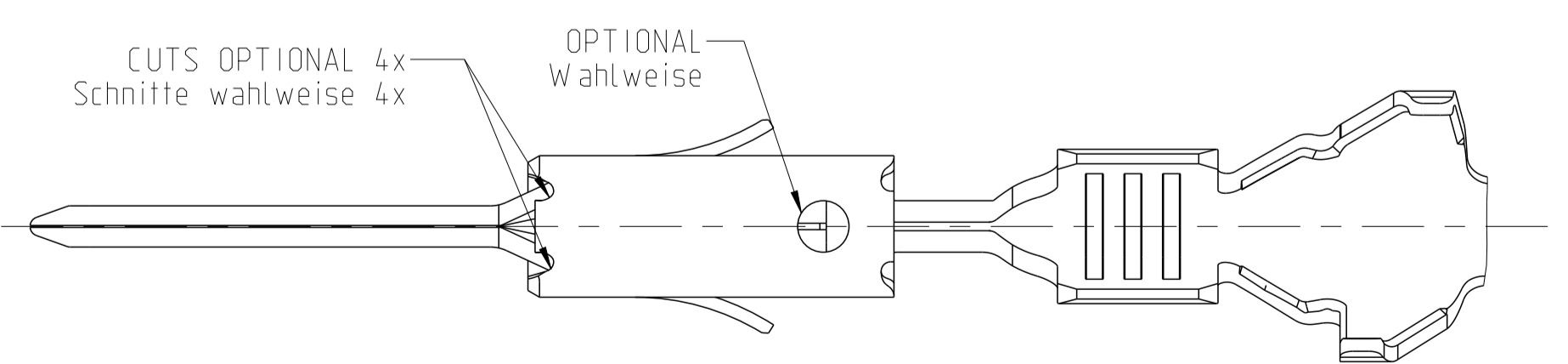
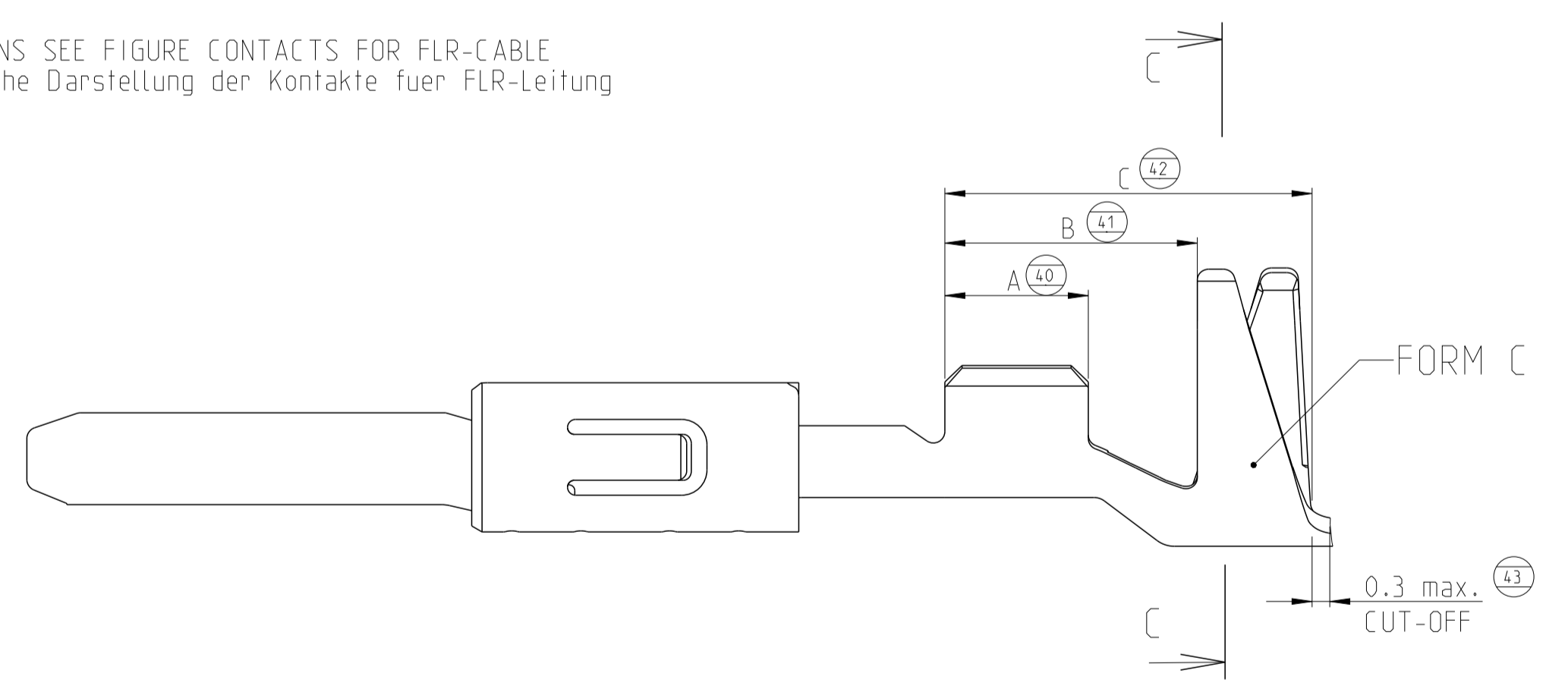


DESIGN 963898 / 963900 / 963904
 Ausfuehrung 963898 / 963900 / 963904

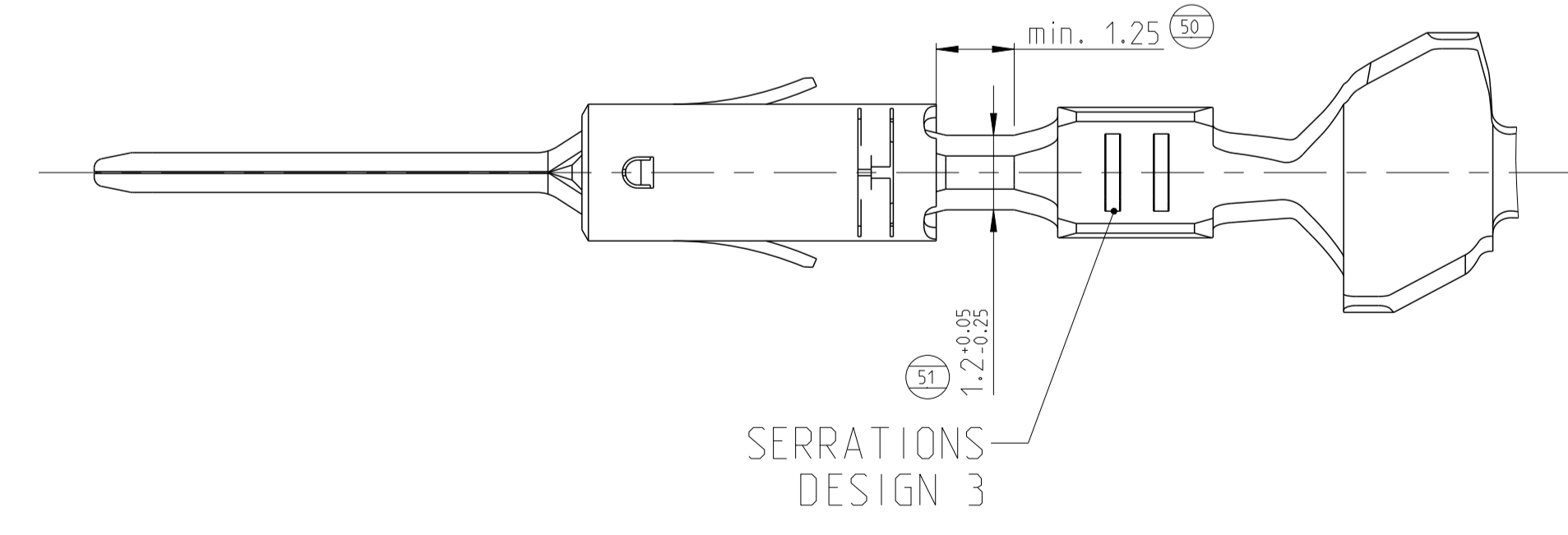
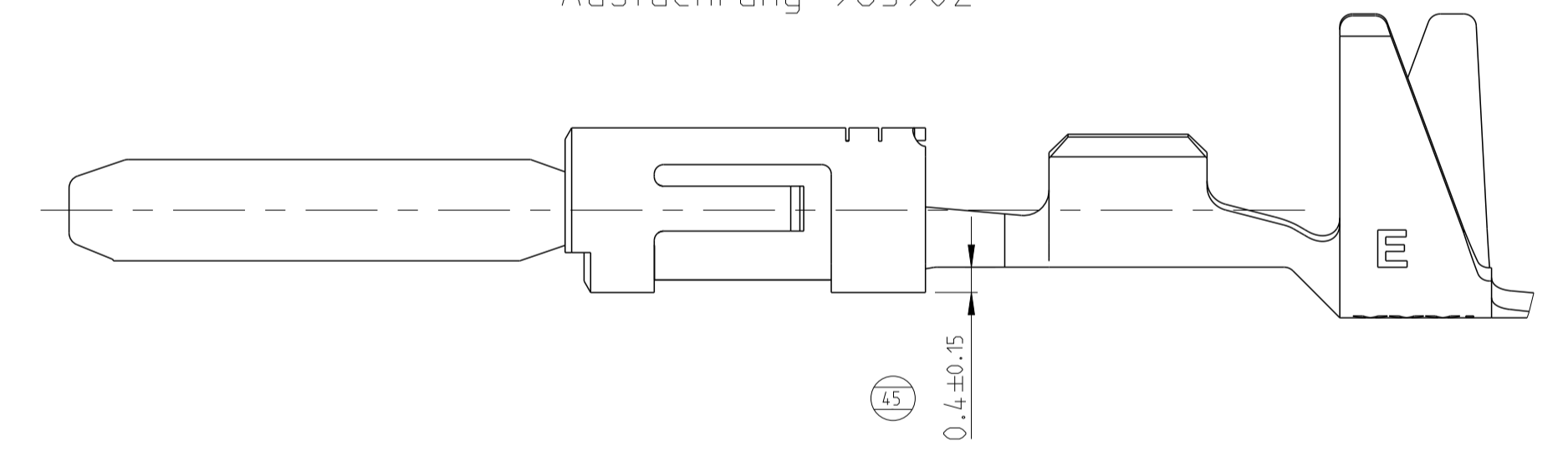


CONTACTS FOR SINGLE WIRE SEALING SYSTEM:
 FLR- AND FLK-CABLE
 Kontakte fuer Einzeldichtung-System:
 FLR- und FLK-Leitung

DIMENSIONS SEE FIGURE CONTACTS FOR FLR-CABLE
 Masse siehe Darstellung der Kontakte fuer FLR-Leitung



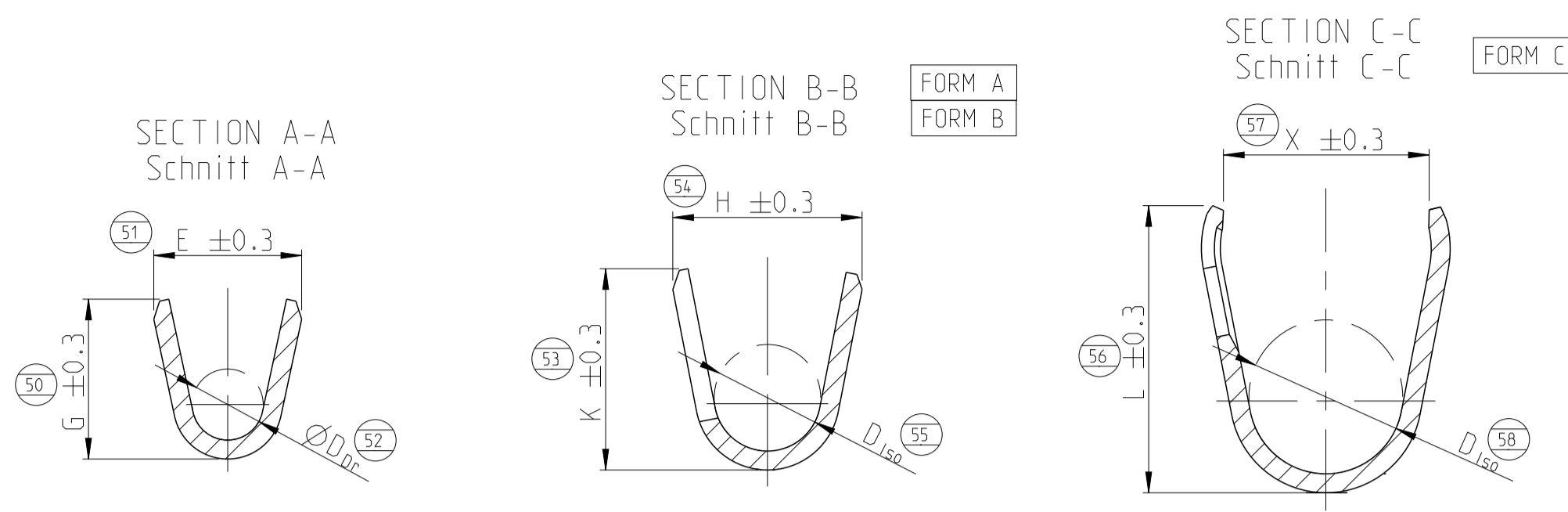
DESIGN 963902
 Ausfuehrung 963902



SERRATIONS DESIGN 3

THIS DRAWING IS A CONTROLLED DOCUMENT.		OWN: T. Bensch 11JUN1997	TE Connectivity
DIMENSIONS: mm		CHK: U. Muenk 11JUN1997	
TOLERANCES UNLESS OTHERWISE SPECIFIED: ±0.2		APVD: M. Bleicher 02MAR2011	NAME: PRODUCT GROUP DRAWING
MATERIAL: SEE TABLE sheet 2		FINISH: SEE TABLE sheet 2	TAB 1.6 x 0.6
WEIGHT: -		SIZE: 114-18082	Flachstecker 1.6 x 0.6
CUSTOMER DRAWING		SCALE: 10:1	SHEET 1 OF 2
		REVISION: A21	

REVISIONS				
P.	LTN	DESCRIPTION	DATE	APPV
-	-	SEE SHEET 1	-	-



- 1 CONTACT AREA SELECTIVE GOLD 0.8µm MIN. OVER NICKEL.
WIRE CRIMP AREA ELECTRO TIN PLATED 1µm MIN. OVER NICKEL
Kontaktzone selectiv vergoldet 0.8µm min. ueber Ni
Drahtcrimpbereich gal. verzinkt 1µm min. ueber Ni
- 2 FOR DOUBLE- AND SINGLE TERMINATION
fuer Doppel- und Einzelanschlaege
- 3 SINGLE WIRE SEAL TO BE SELECTED ACCORDING TO INSULATION-DIA
ACCORDING TO APPLICATION SPECIFICATION 114-18082
Auswahl der Eubzeldichtung entsprechend dem Isolationsdurchmesser nach
Verarbeitungsspezifikation 114-18082
- 4 TIN PLATED
vorverzinkt
- 5 CONTACT AREA SELECTIVE SILVER 3µm MIN. OVER NICKEL.
WIRE CRIMP AREA ELECTRO TIN PLATED 1.5µm MIN. OVER NICKEL
Kontaktzone selectiv versilbert 3µm min. ueber Ni
Drahtcrimpbereich gal. verzinkt 1.5µm min. ueber Ni
- 6 DIFFERENT TOOL DETAILS
FUNCTION AND HANDLING WITH ALL DETAILS CONTINUOUSLY
SUPPLY AFTER AVAILABILITY
Verschiedene Werkzeugausfuehrungen
Funktion und Handhabung bei allen Ausfuehrungen gleich
Lieferung nach Verfuegbarkeit

		SEE / siehe SECTION A-A Schnitt A-A	SEE / siehe SECTION B-B / C-C Schnitt B-B / C-C																							
SINGLE WIRE SEAL / Einzelzichtungssystem	1703278-5	A	1	CuSn4	5	1.5	1.95 - 2.4	E = 2.8 G = 3.0 D _{Dr} = 1.4	C	L = 4.9 D _{ISO} = 2.9	169400-0 539635-1	-	3.0	4.4	6.4	3.6										
	1703278-2	A	1	CuFe2	4																					
	2-964269-2	A	1	CuFe2	5																					
	964269-5	A	1	CuSn4	5	0.5 - 1.0	1.4 - 2.1	E = 2.5 G = 2.7 D _{Dr} = 1.2	C	L = 4.8 D _{ISO} = 2.7							539612-1 539663-2	3.0	4.4	6.4	3.3					
	964269-3	E	1	CuSn4	1																					
	964269-2	D	1	CuFe2	4																					
	963904-3	G	1	CuSn4	1	0.5 - 1.0	1.4 - 2.1	E = 2.6 G = 2.8 D _{Dr} = 1.2	A	H = 4.5 K = 4.8 D _{ISO} = 2.7							539651-2	3.0	4.6	7.0	-					
	963904-2	F	1	CuFe2	4																					
	963904-1	F	1	CuSn4	4																					
	2141884-5	A	2	CuSn4	5	0.35	1.15 - 1.6	E = 2.4 G = 2.3 D _{Dr} = 1.0	C	L = 4.8 D _{ISO} = 2.6							539663-2	2.5	4.4	6.4	3.3					
	2141884-3	B	2	CuSn4	1																					
	2-2141884-2	A	2	CuFe2	5																					
	2141884-2	A	2	CuFe2	4	0.2 - 0.5	1.15 - 1.6	E = 2.1 G = 2.1 D _{Dr} = 0.8	C	X = 4.3 L = 4.8 D _{ISO} = 2.6							539612-1 539663-2	2.5	4.4	6.4	3.3					
	969028-5	A	3	CuSn4	5																					
	969028-3	E	3	CuSn4	1																					
969028-2	D	3	CuFe2	4	0.2 - 0.5	1.15 - 1.6	E = 2.1 G = 2.1 D _{Dr} = 0.8	A	H = 4.5 K = 4.8 D _{ISO} = 2.7	539651-2	2.5	4.6	7.0	-												
963902-3	E	3	CuSn4	1																						
963902-2	D	3	CuFe2	4																						
963902-1	D	3	CuSn4	4	1.5	2.2 - 2.4	E = 2.8 G = 3.0 D _{Dr} = 1.4	A	H = 3.5 K = 3.9 D _{ISO} = 1.9	169400-0 539635-1	-	3.0	4.4	6.4	-											
1241846-5	A	1	CuSn4	5																						
1241846-3	B	1	CuSn4	1																						
1241846-2	A	1	CuFe2	4																						
1241846-1	A	1	CuSn4	4																						
969079-3	C	1	CuSn4	1	0.5 - 1.0	1.4 - 2.1	E = 2.5 G = 2.8 D _{Dr} = 1.2	B	H = 3.7 K = 3.9 D _{ISO} = 1.8							539960-1	-	3.0	4.6	6.2	-					
969079-2	B	1	CuFe2	4																						
964267-4	A	1	CuSn4	5																						
964267-3	D	1	CuSn4	1	0.5 - 1.0	1.4 - 2.1	E = 2.5 G = 2.7 D _{Dr} = 1.2	A	H = 3.2 K = 3.4 D _{ISO} = 1.8													539612-1 539663-2	3.0	4.4	6.4	-
964267-2	C	1	CuFe2	4																						
964267-1	C	1	CuSn4	4																						
963900-4	E	1	CuSn4	1	0.5 - 1.0	1.4 - 2.1	E = 2.6 G = 2.8 D _{Dr} = 1.2	A	H = 3.2 K = 3.4 D _{ISO} = 1.8													539651-2	3.0	4.6	7.0	-
963900-3	E	1	CuSn4	1																						
963900-2	D	1	CuFe2	4																						
963900-1	D	1	CuSn4	4	0.2 - 0.5	1.15 - 1.6	E = 2.1 G = 2.1 D _{Dr} = 0.8	A	H = 2.9 K = 2.9 D _{ISO} = 1.4													539651-2	2.5	4.6	7.0	-
963898-3	E	3	CuSn4	1																						
963898-2	D	3	CuFe2	4																						
963898-1	D	3	CuSn4	4	0.22 - 0.35	1.15 - 1.6	E = 2.4 G = 2.3 D _{Dr} = 1.0	A	H = 2.9 K = 2.9 D _{ISO} = 1.4	539633-2	2.5	4.4	6.4	-												
2141882-3	B	2	CuSn4	1																						
2141882-2	A	2	CuFe2	4																						
964265-5	A	3	CuSn4	5	0.2 - 0.35	1.15 - 1.6	E = 2.1 G = 2.1 D _{Dr} = 0.8	A	H = 2.9 K = 2.9 D _{ISO} = 1.4	539612-1 539663-2	2.5	4.4	6.4	-												
964265-3	D	3	CuSn4	1																						
964265-2	C	3	CuFe2	4																						

SEE APPLICATION SPECIFICATION 114-18082
siehe Verarbeitungsspezifikation 114-18082

TE ORDER-NO.	REV	DESIGN SERRATIONS Ausfuehrung Serrations	MATERIAL Werkstoff	SURFACE Oberflaeche	DGB mm ²	INSULATION Isolations	STRIP FORM WIRE CRIMP INSUL. CRIMP Drahtcrimp Isolationscrimp Bandware	HAND TOOL Handzange	INSERT Matrize	A	B	C	X	TE ORDER-NO. EXTRACTION TOOL Ausdruckwerkzeug	CRIMP DATA AND CRIMP TOOL Crimpdaten und Crimpwerkzeuge
						mm	CRIMP DIMENSION mm Crimpabmessungen mm			DIMENSION mm Abmessung mm					

THIS DRAWING IS A CONTROLLED DOCUMENT.

DIMENSIONS: mm	TOLERANCES UNLESS OTHERWISE SPECIFIED: ±0.2	OWN: T. Bertsch 11JUN1997	CHK: U. Muenk 11JUN1997	APV: M. Bleicher 02MAR2011	NAME: PRODUCT GROUP DRAWING TAB 1.6 x 0.6 TYPE A Flachsfecker 1.6 x 0.6 Typ A
MATERIAL: SEE TABLE sheet 2 siehe Tabelle	FINISH: SEE TABLE sheet 2 siehe Tabelle	WEIGHT: -	SIZE: A1	CAGE CODE: 00779	DRAWING NO: 114-18082
CUSTOMER DRAWING			SCALE: 10:1	SHEET: 2 OF 2	REV: A21

STE TE Connectivity

X-ON Electronics

Largest Supplier of Electrical and Electronic Components

Click to view similar products for [Automotive Connectors](#) category:

Click to view products by [TE Connectivity](#) manufacturer:

Other Similar products are found below :

[003-018-000](#) [60403001](#) [60993906-B](#) [M902-2131](#) [M902-2161](#) [M902-2344](#) [72.330.1035.1](#) [73.353.4028.0](#) [F119300-B](#) [F166900](#) [F258300-B](#)
[F358300-B](#) [F407400](#) [F444110](#) [F487000](#) [F509500B-B](#) [827153-1](#) [8N1515-32-24P](#) [9-1326729-8](#) [925474-1](#) [928905-1](#) [964562-4](#) [968782-1](#)
[GT17SA-8DS-HU](#) [98891-1012](#) [98947-1016](#) [12004147](#) [12004475-L](#) [12010290](#) [12010309-B](#) [12015454](#) [12020219-B](#) [12041318-B](#) [12052225-](#)
[L](#) [12052466](#) [12064869](#) [12004327-B](#) [12015308](#) [12015384](#) [12015909](#) [1-21030-1](#) [12041254](#) [12041318](#) [12047946-B](#) [12047957](#) [12047957-L](#)
[12059473](#) [12066261](#) [12110546](#) [12110546-B](#)