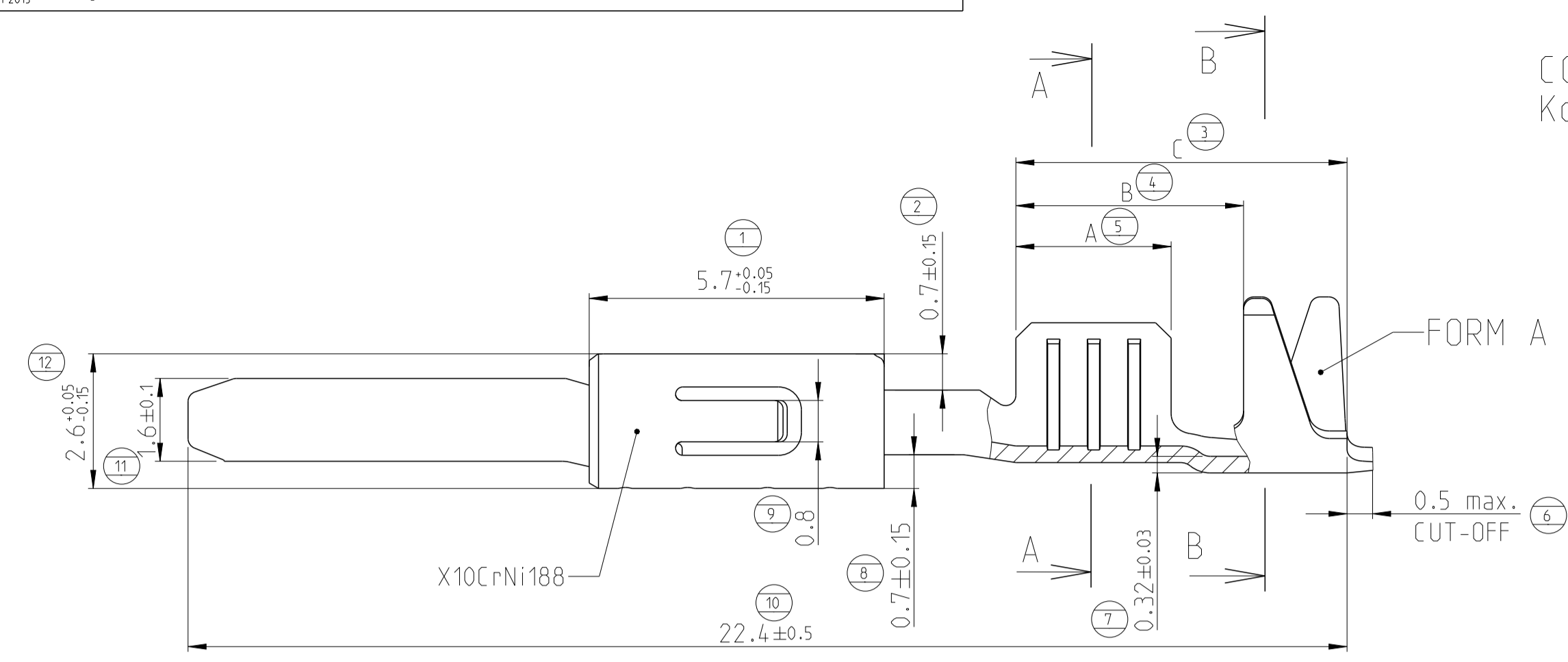
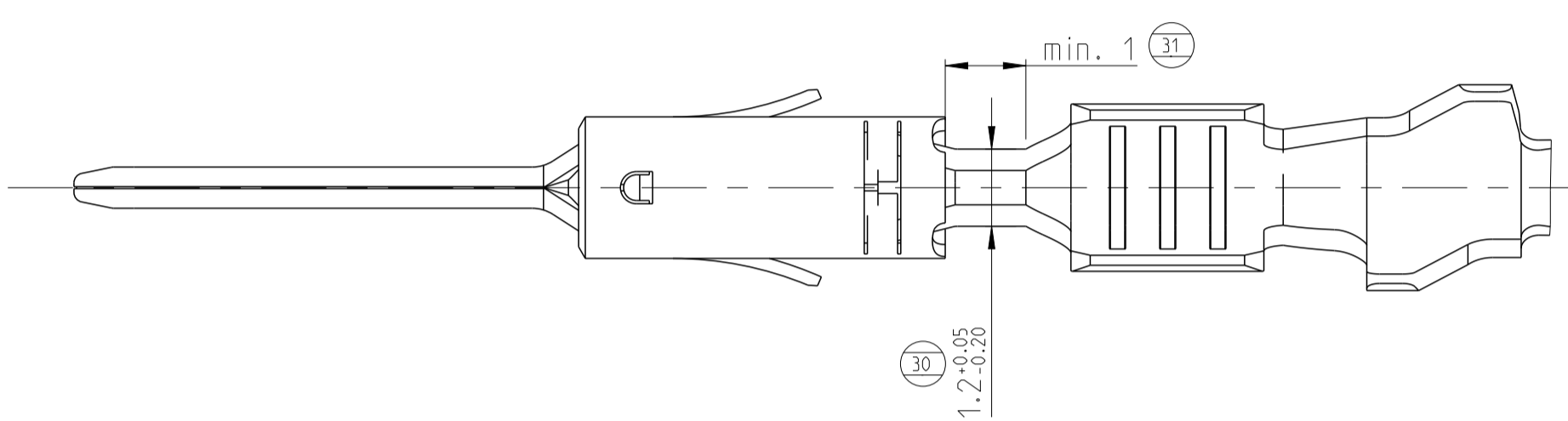
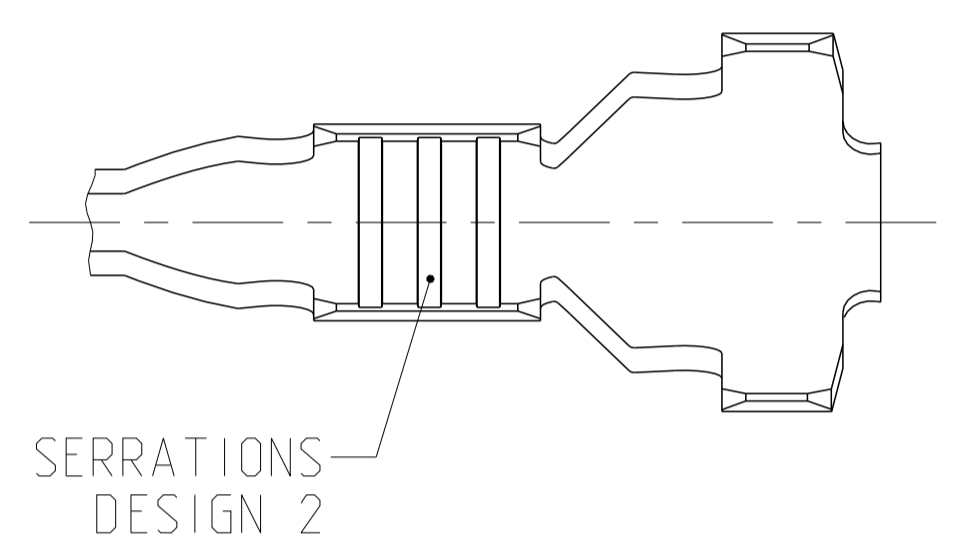
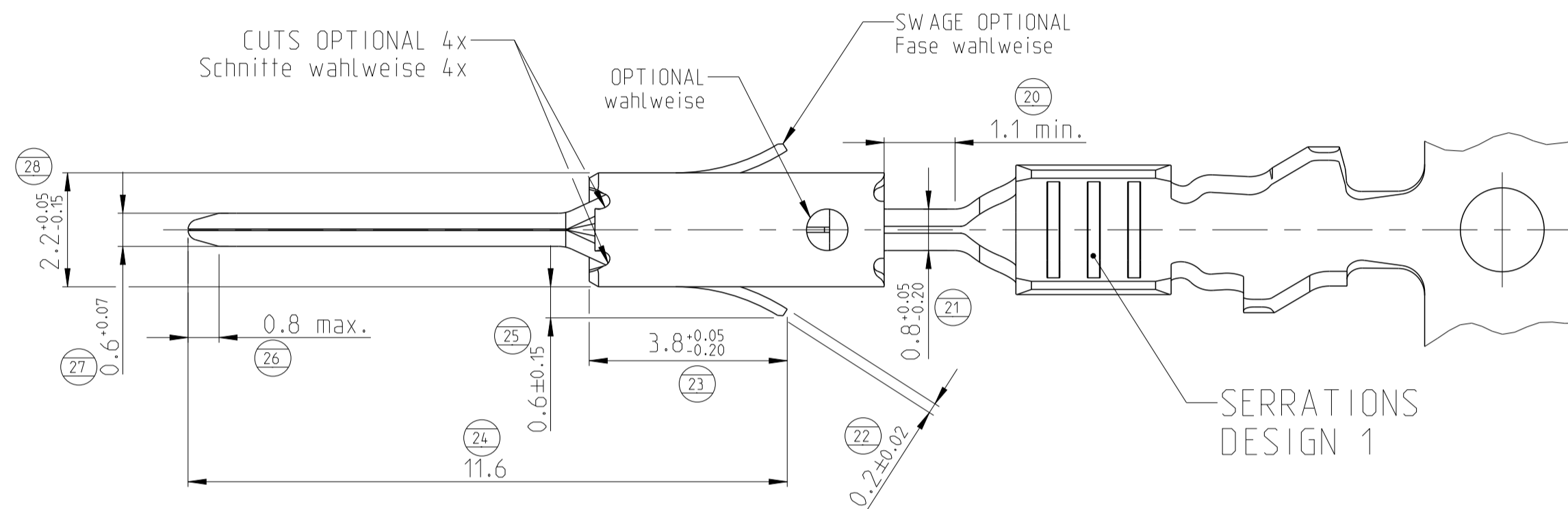
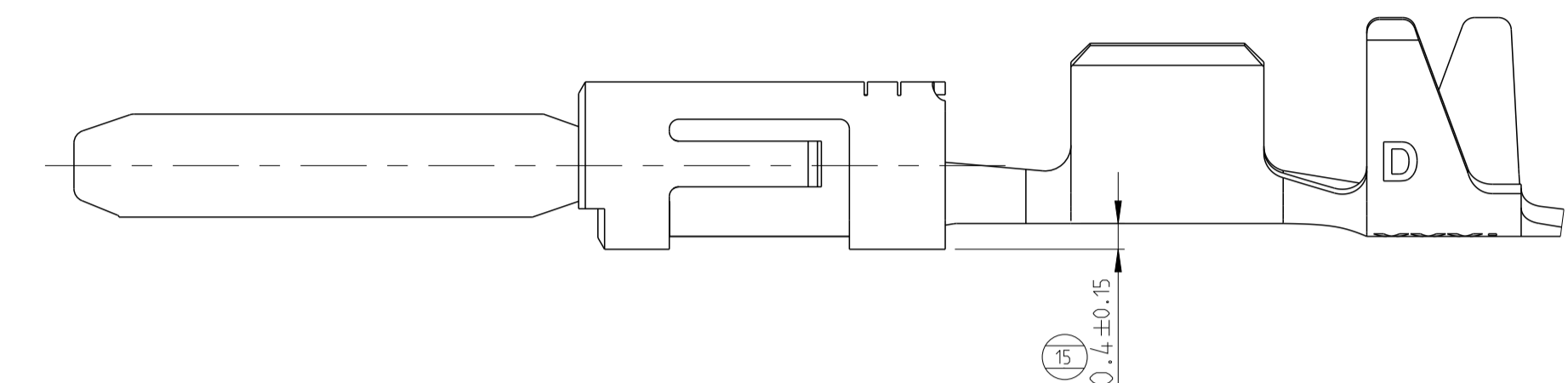


| REVISIONS |               |             |           |        |
|-----------|---------------|-------------|-----------|--------|
| P.        | LTN           | DESCRIPTION | DATE      | APVD   |
| A18       | ECR-16-006173 |             | 04MAY2016 | MB JK  |
| A19       | ECR-16-009404 |             | 22SEP2016 | MB JK  |
| A20       | ECR-17-005648 |             | 21OCT2017 | MB PST |
| A21       | ECR-18-014391 |             | 24SEP2018 | SCK RP |

CONTACTS FOR FLR-CABLE  
 Kontakte fuer FLR-Leitung

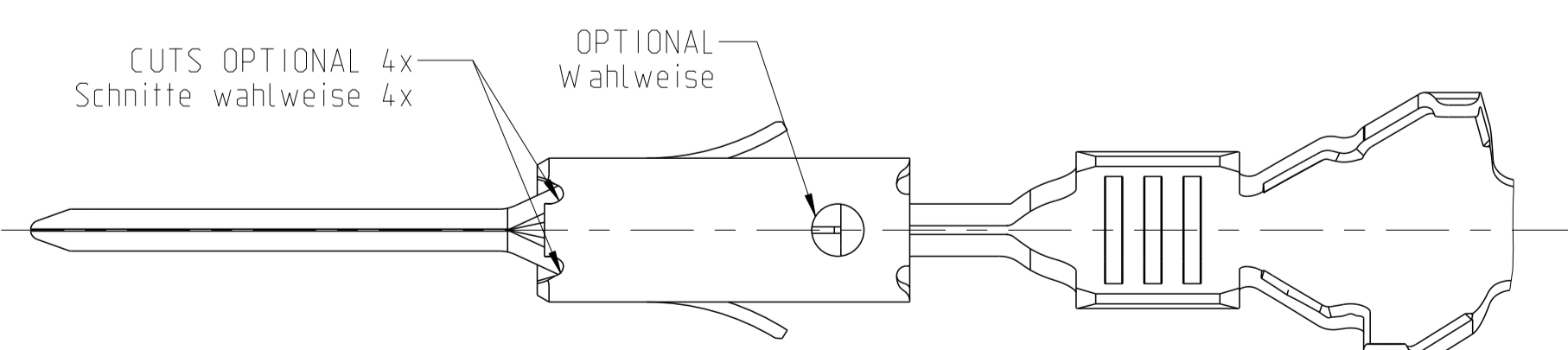
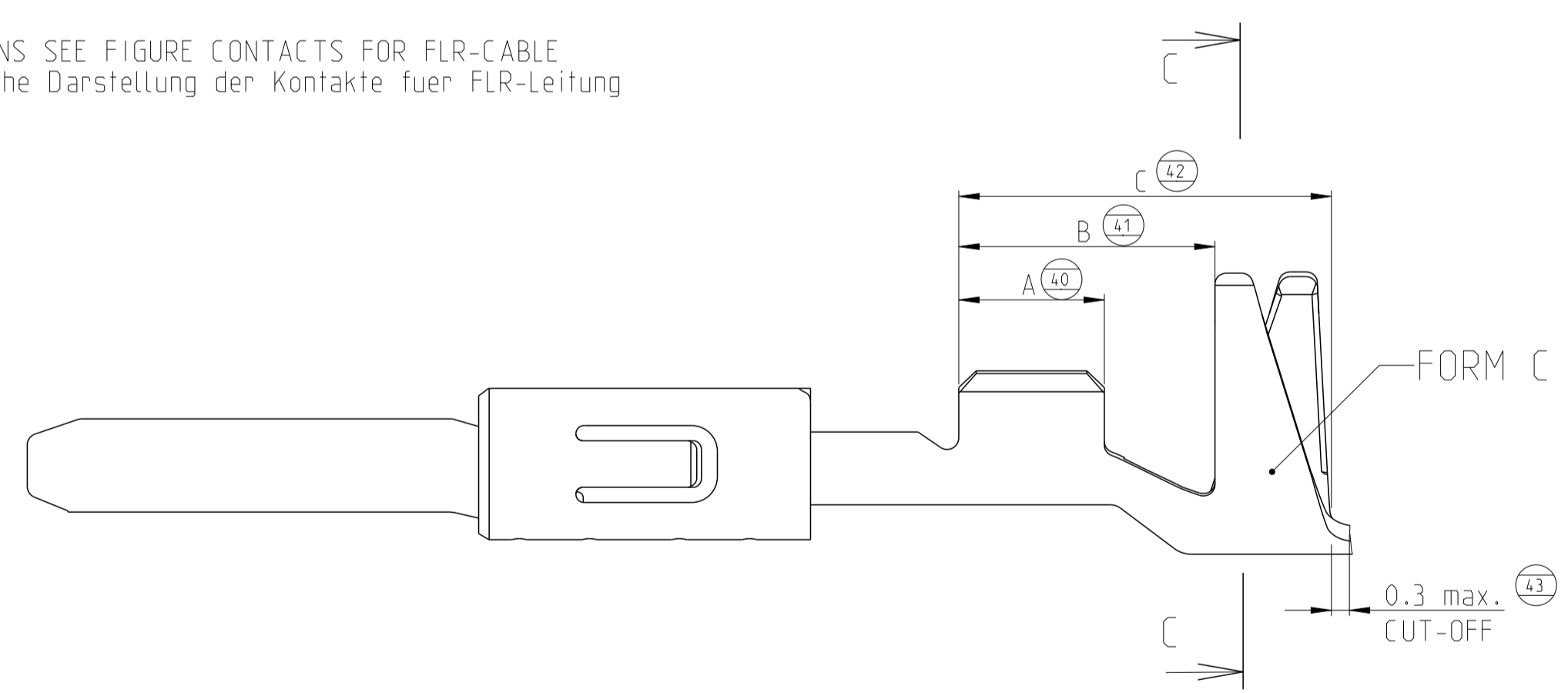


DESIGN 963898 / 963900 / 963904  
 Ausfuehrung 963898 / 963900 / 963904

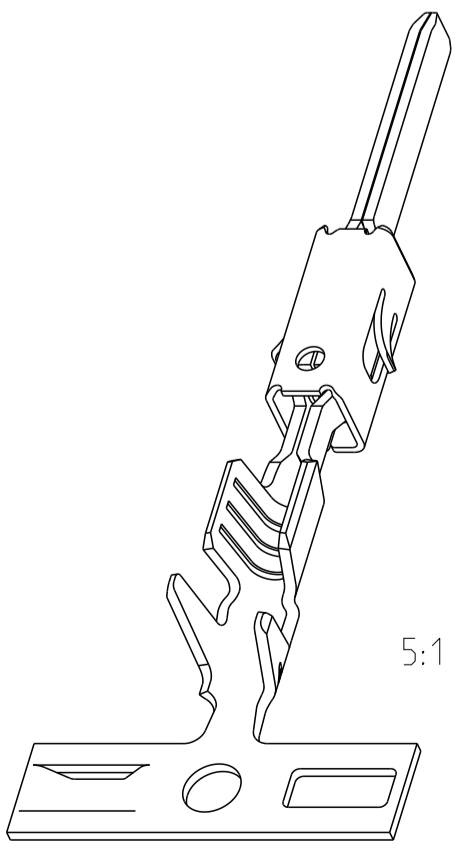
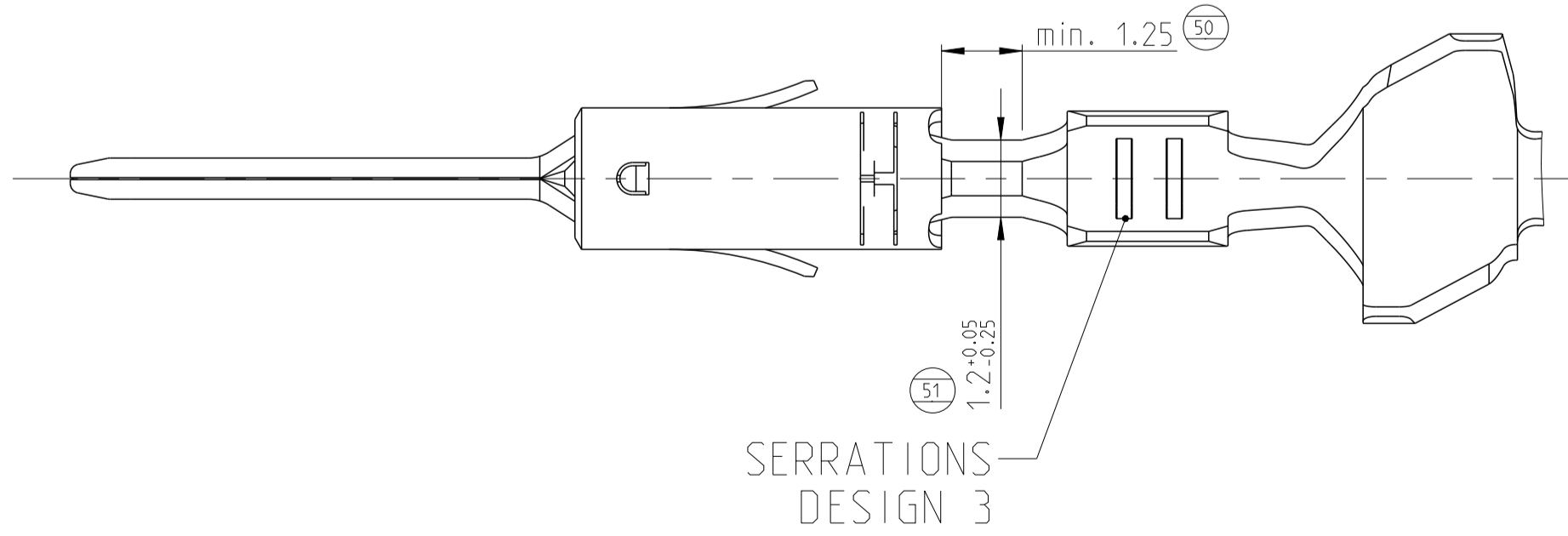
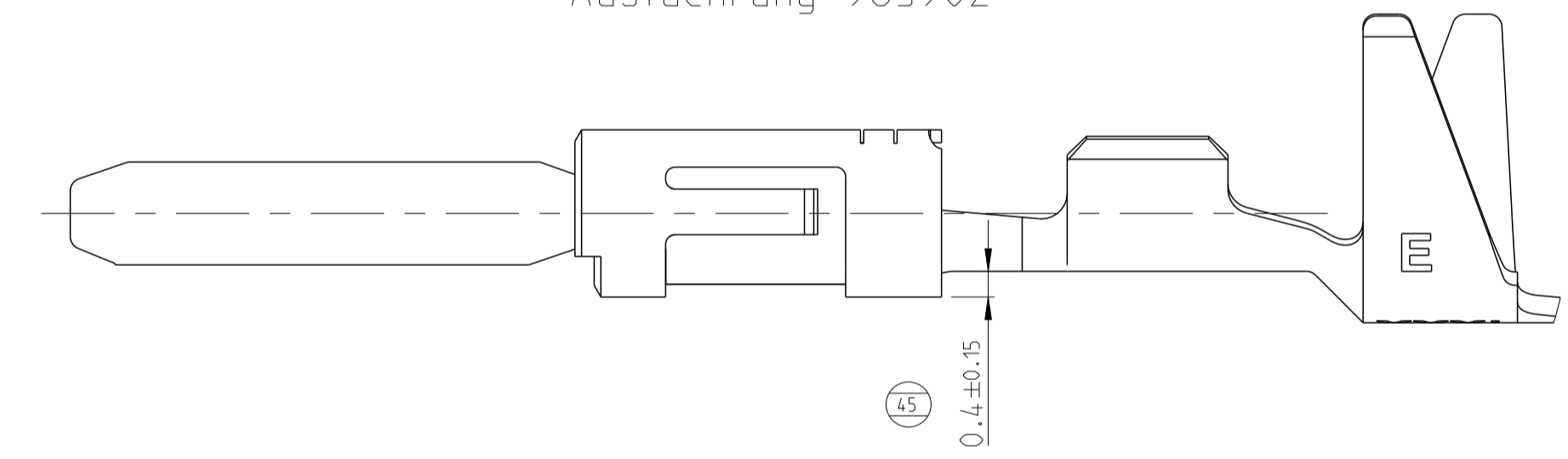


CONTACTS FOR SINGLE WIRE SEALING SYSTEM:  
 FLR- AND FLK-CABLE  
 Kontakte fuer Einzeldichtung-System:  
 FLR- und FLK-Leitung

DIMENSIONS SEE FIGURE CONTACTS FOR FLR-CABLE  
 Masse siehe Darstellung der Kontakte fuer FLR-Leitung

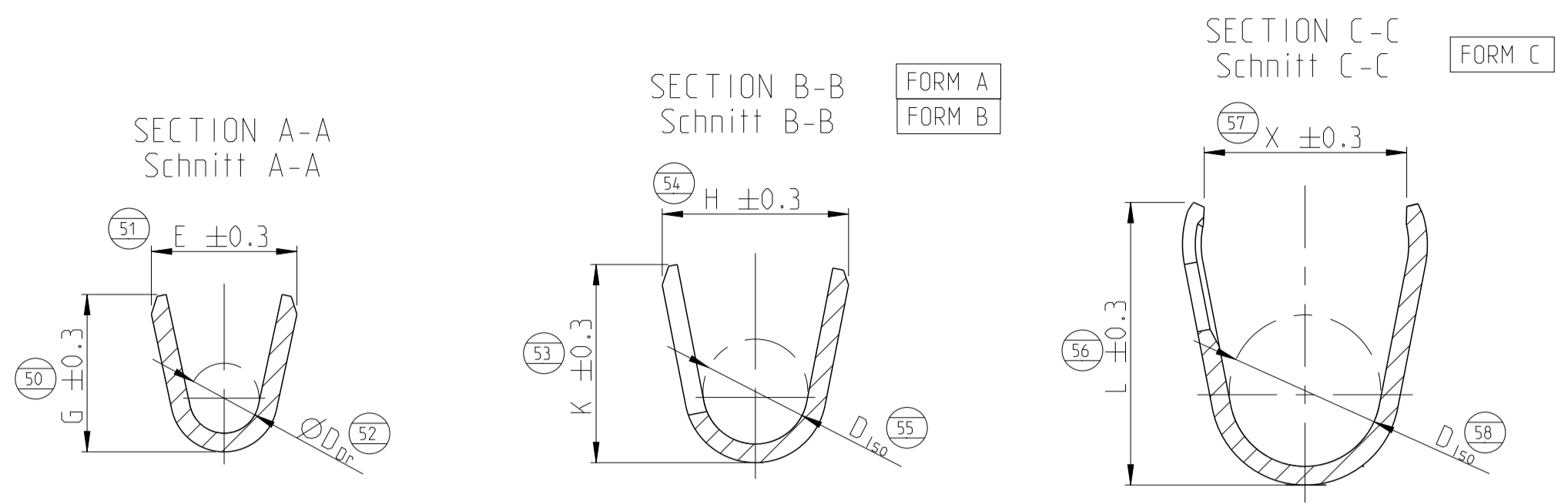


DESIGN 963902  
 Ausfuehrung 963902



|   |  |                             |                             |
|---|--|-----------------------------|-----------------------------|
| THIS DRAWING IS A CONTROLLED DOCUMENT.      |  | OWN: T. Bertsch 11JUN1997   | TE Connectivity             |
| DIMENSIONS: mm                              |  | CHK: U. Muenk 11JUN1997     |                             |
| TOLERANCES UNLESS OTHERWISE SPECIFIED: ±0.2 |  | APVD: M. Bleicher 02MAR2011 | NAME: PRODUCT GROUP DRAWING |
| MATERIAL: SEE TABLE sheet 2                 |  | FINISH: SEE TABLE sheet 2   | TAB 1.6 x 0.6               |
| WEIGHT: -                                   |  | SIZE: 114-18082             | Flachstecker 1.6 x 0.6      |
| CUSTOMER DRAWING                            |  | SCALE: 10:1                 | SHEET 1 OF 2                |
|   |  | REVISION: A21               |                             |

Table with columns: P, LTA, DESCRIPTION, DATE, DWN, APVD. Row 1: SEE SHEET 1



SINGLE WIRE SEAL / Einzeladichtungssystem (A-C) and UNSEALED / ungedichtet (A-C)

Main specification table with columns for part numbers, materials, dimensions, and crimp types.

- 1 CONTACT AREA SELECTIVE GOLD 0.8µm MIN. OVER NICKEL...
2 FOR DOUBLE- AND SINGLE TERMINATION fuer Doppel- und Einzelanschlaege
3 SINGE WIRE SEAL TO BE SELECTED ACCORDING TO INSULATION-DIA ACCODING TO APPLICATION SPECIFICATION 114-18082
4 TIN PLATED vorverzint
5 CONTACT AREA SELECTIVE SILVER 3µm MIN. OVER NICKEL...

SEE APPLICATION SPECIFICATION 114-18082 siehe Verarbeitungsspezifikation 114-18082

Summary table with columns: TE ORDER-NO., REV, DESIGN SERRATIONS, MATERIAL, SURFACE, DGB, INSULATION, STRIP FORM, HAND TOOL, INSERT, DIMENSION, TE ORDER-NO., CRIMP DATA AND CRIMP TOOL.

Technical drawing footer including dimensions, tolerances, material, finish, weight, customer drawing info, and the STC logo with 'TE Connectivity'.

## X-ON Electronics

Largest Supplier of Electrical and Electronic Components

*Click to view similar products for [Automotive Connectors](#) category:*

*Click to view products by [TE Connectivity](#) manufacturer:*

Other Similar products are found below :

[003-018-000](#) [60403001](#) [60993906-B](#) [M902-2131](#) [M902-2161](#) [M902-2344](#) [72.330.1035.1](#) [73.353.4028.0](#) [F119300-B](#) [F166900](#) [F258300-B](#)  
[F358300-B](#) [F407400](#) [F444110](#) [F487000](#) [F509500B-B](#) [827153-1](#) [8N1515-32-24P](#) [9-1326729-8](#) [925474-1](#) [928905-1](#) [964562-4](#) [968782-1](#)  
[GT17SA-8DS-HU](#) [98891-1012](#) [98947-1016](#) [12004147](#) [12004475-L](#) [12010290](#) [12015454](#) [12020219-B](#) [12041318-B](#) [12052225-L](#) [12052466](#)  
[12064869](#) [12004327-B](#) [12015308](#) [12015384](#) [12015909](#) [1-21030-1](#) [12041254](#) [12041318](#) [12047946-B](#) [12047957](#) [12047957-L](#) [12059473](#)  
[12066261](#) [12110546](#) [12110546-B](#) [12131792](#)