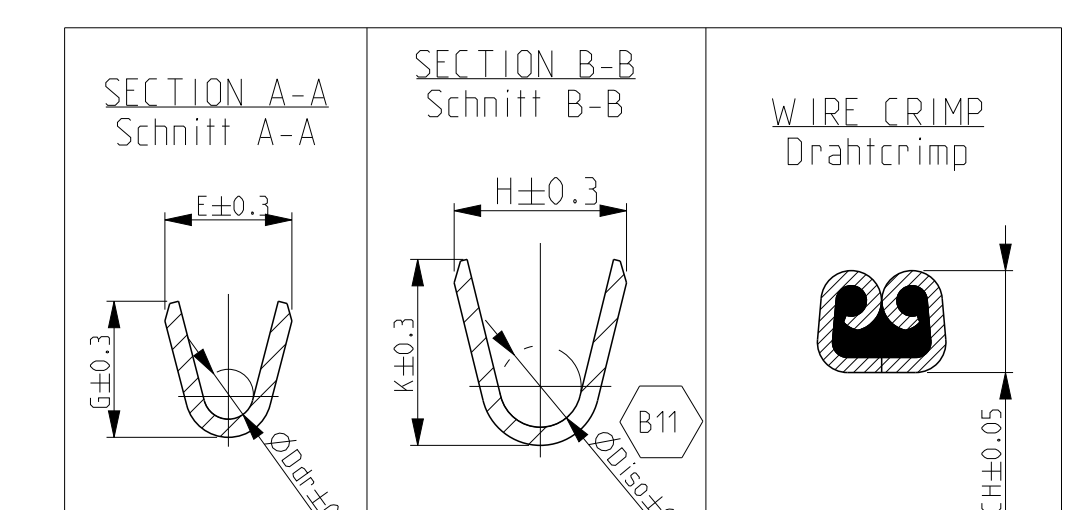
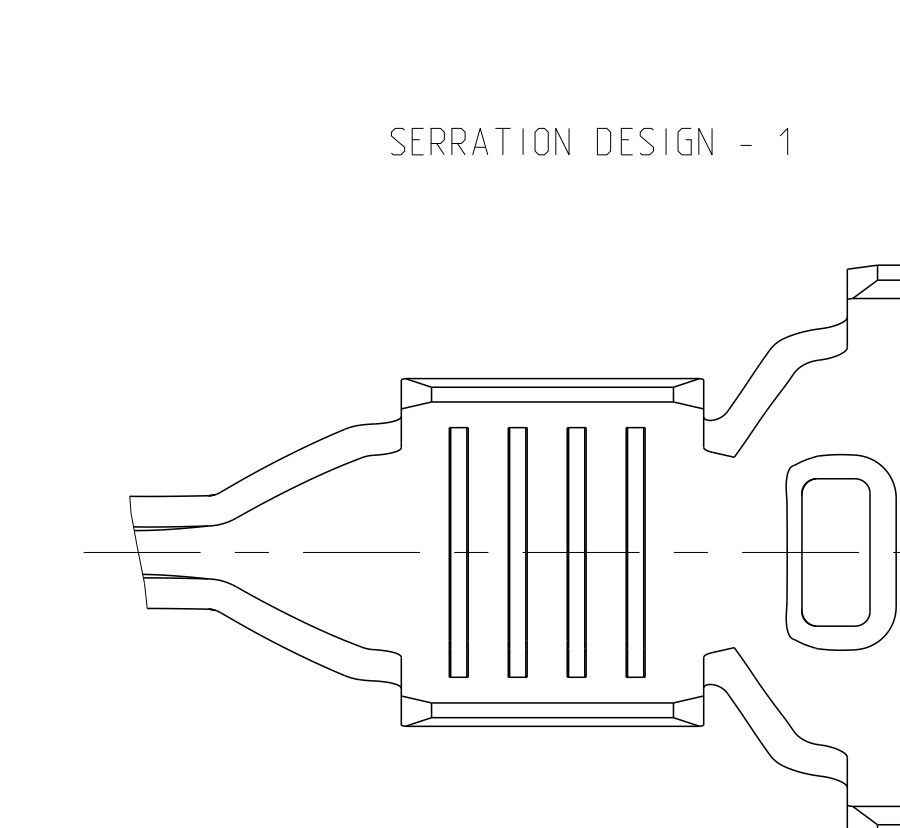
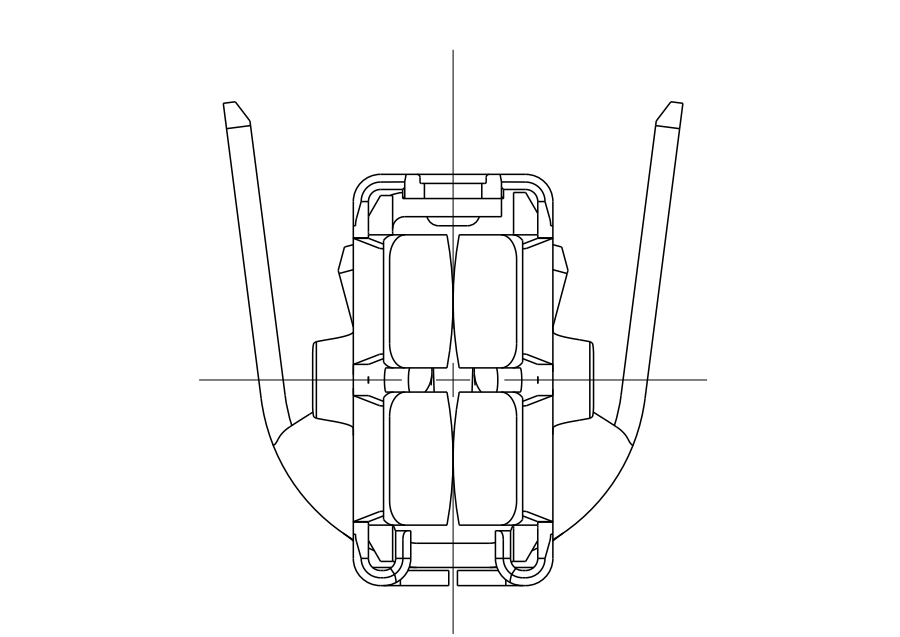
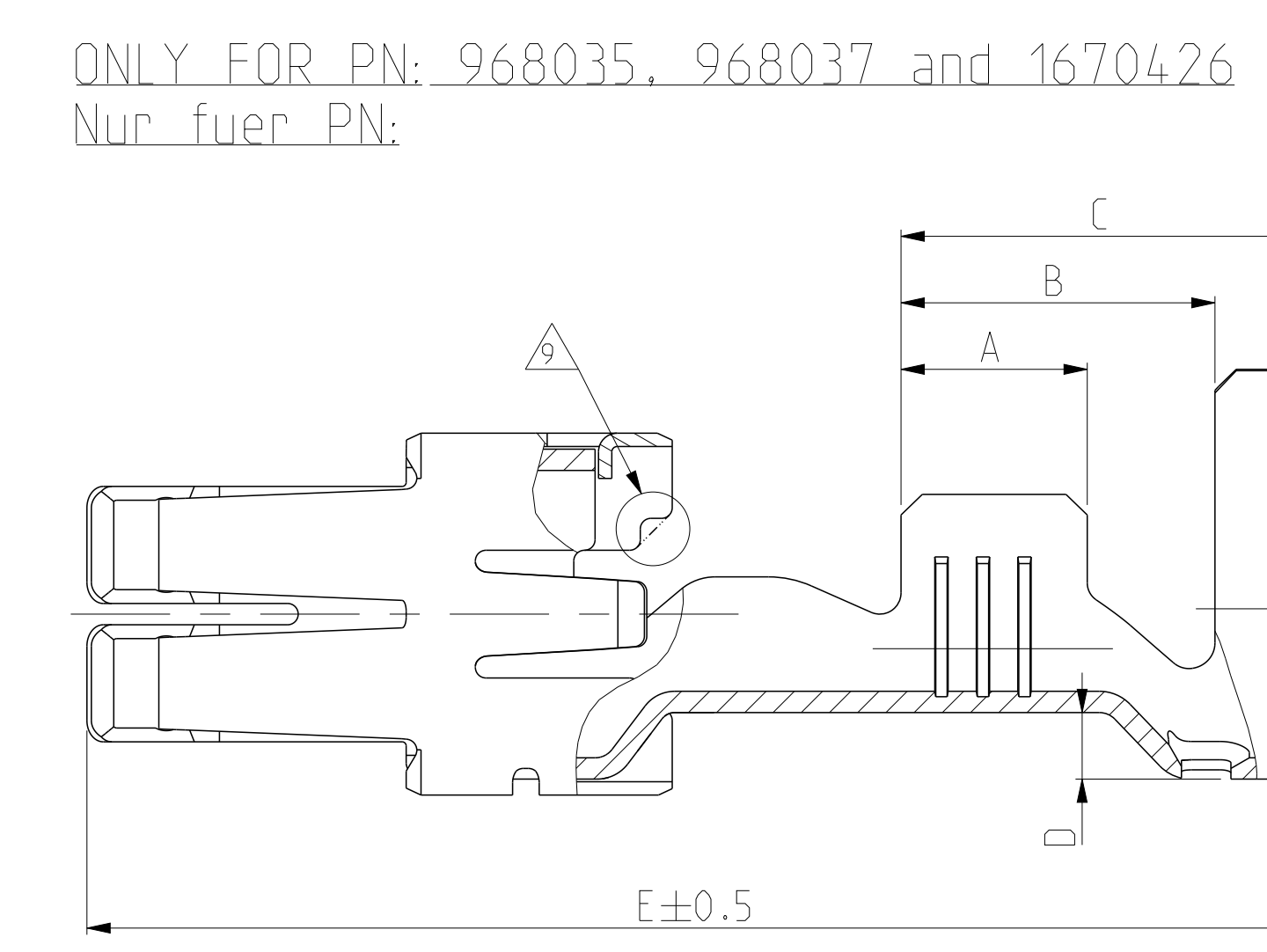
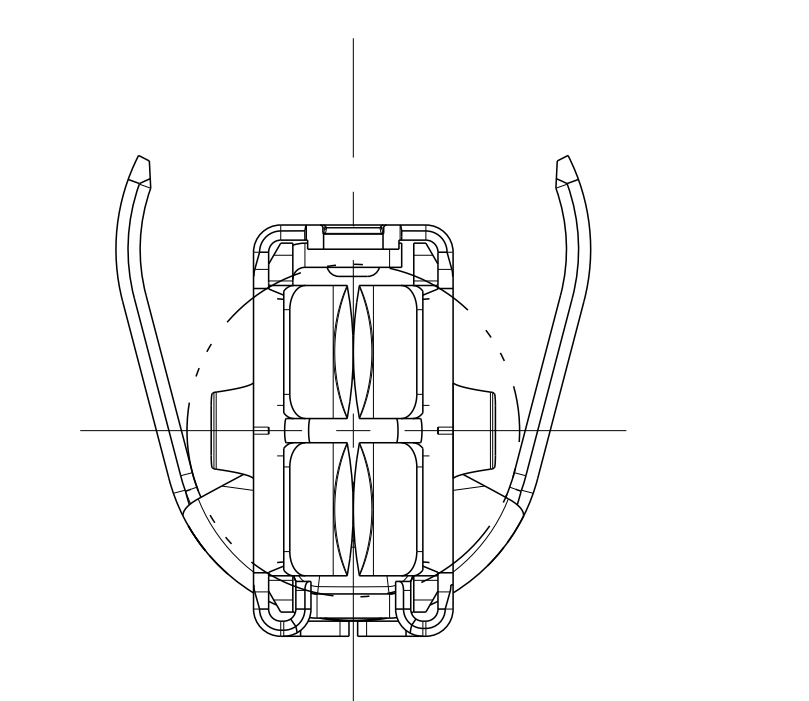
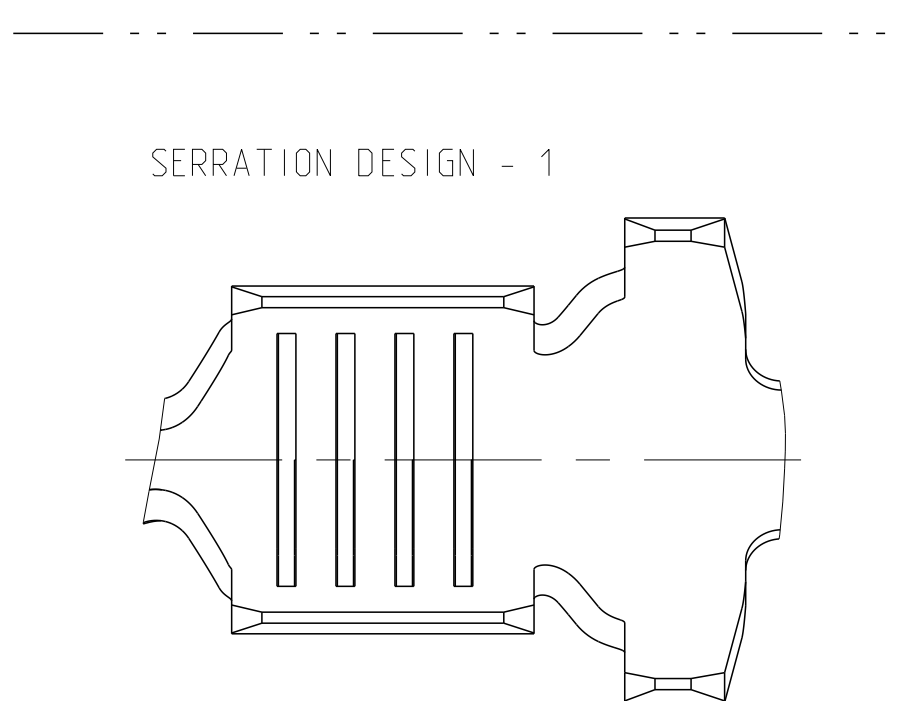
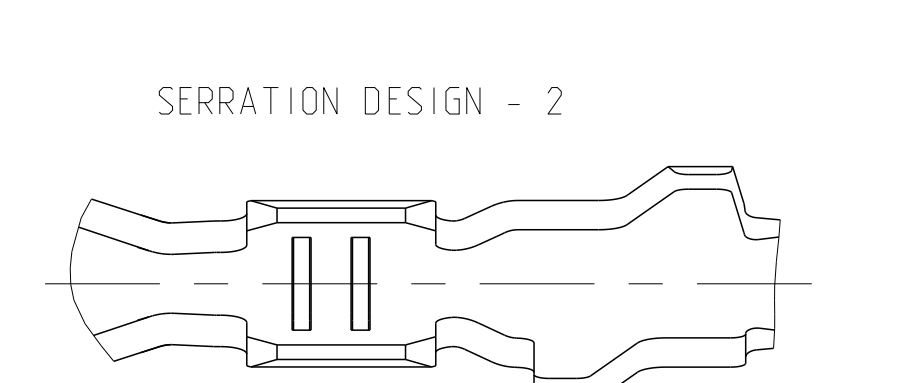
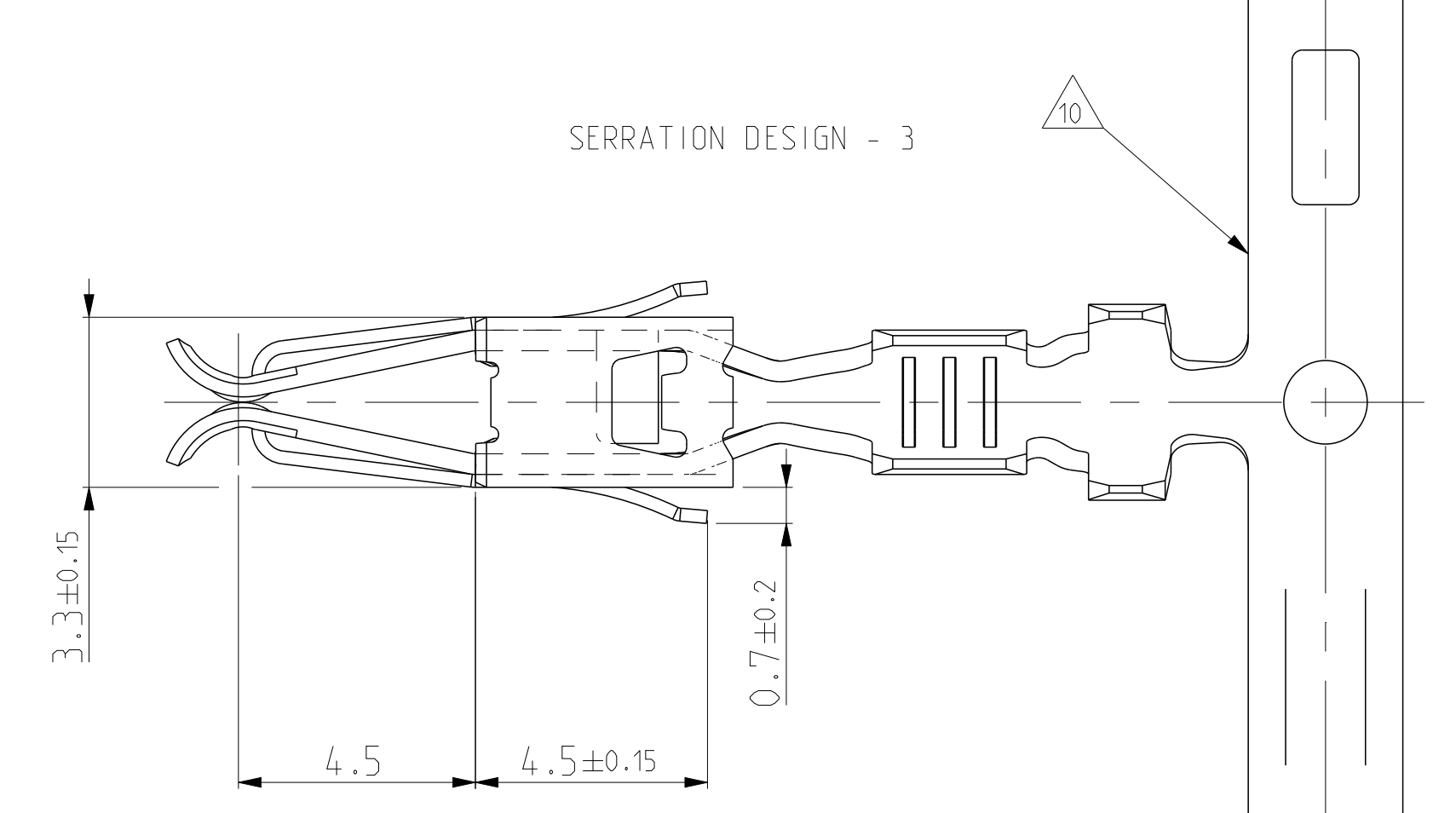
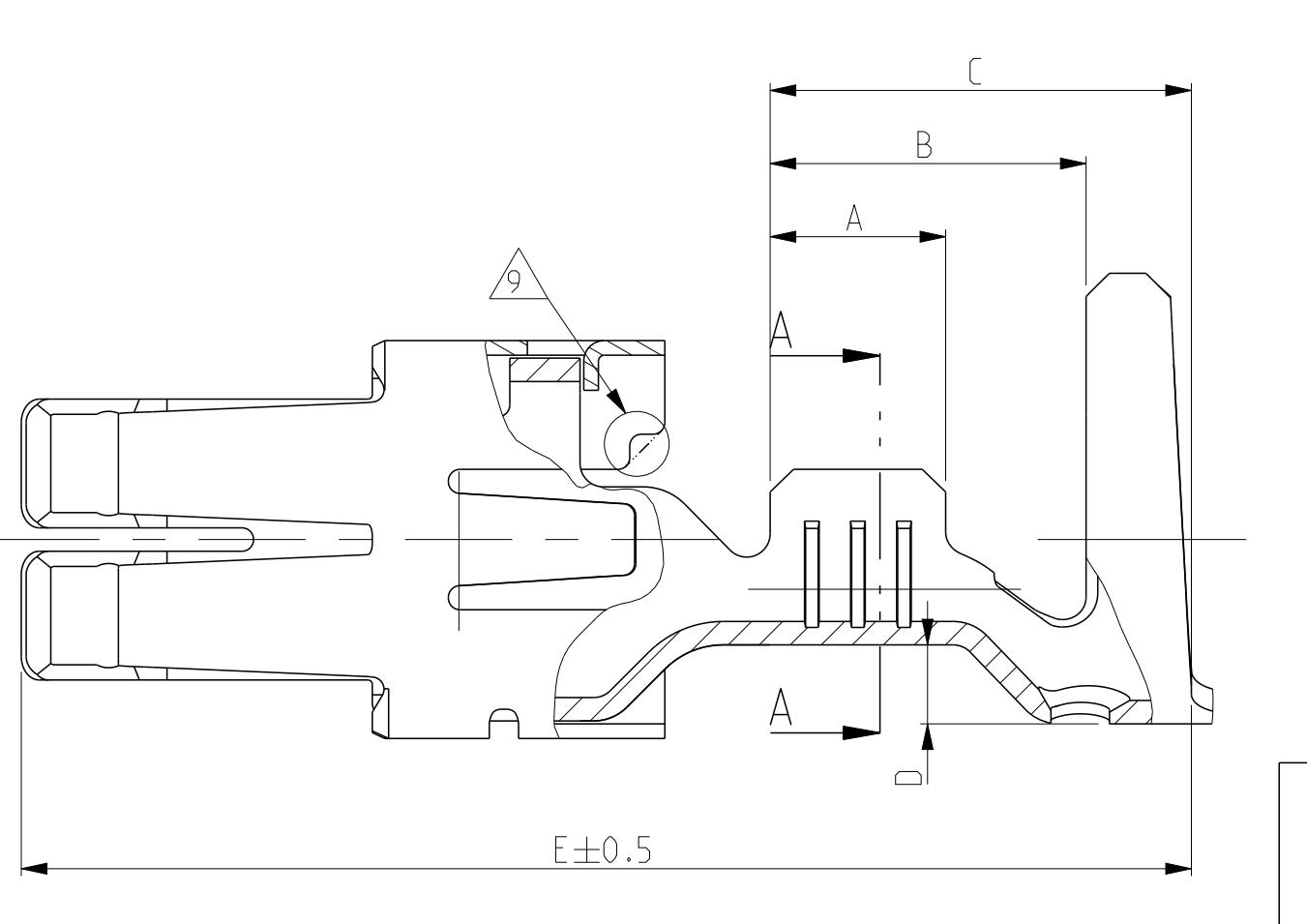
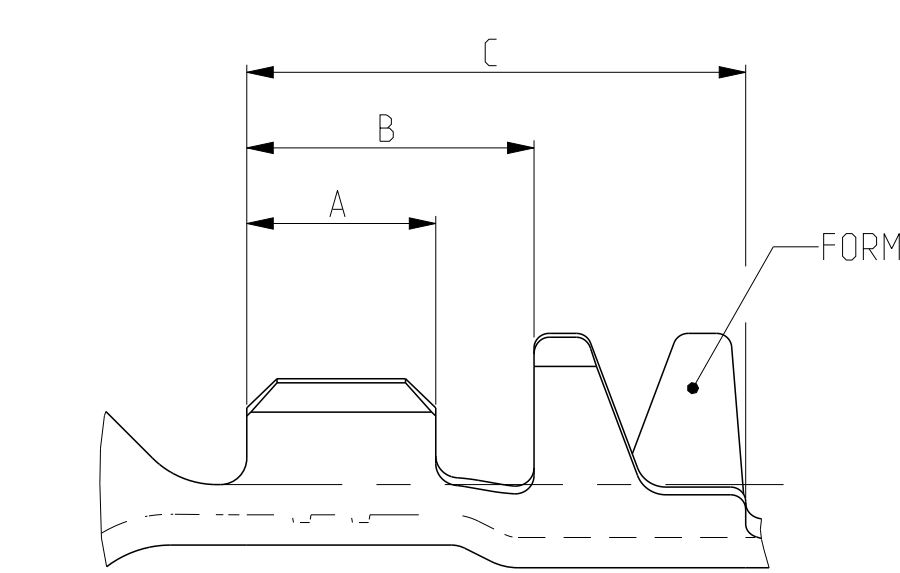
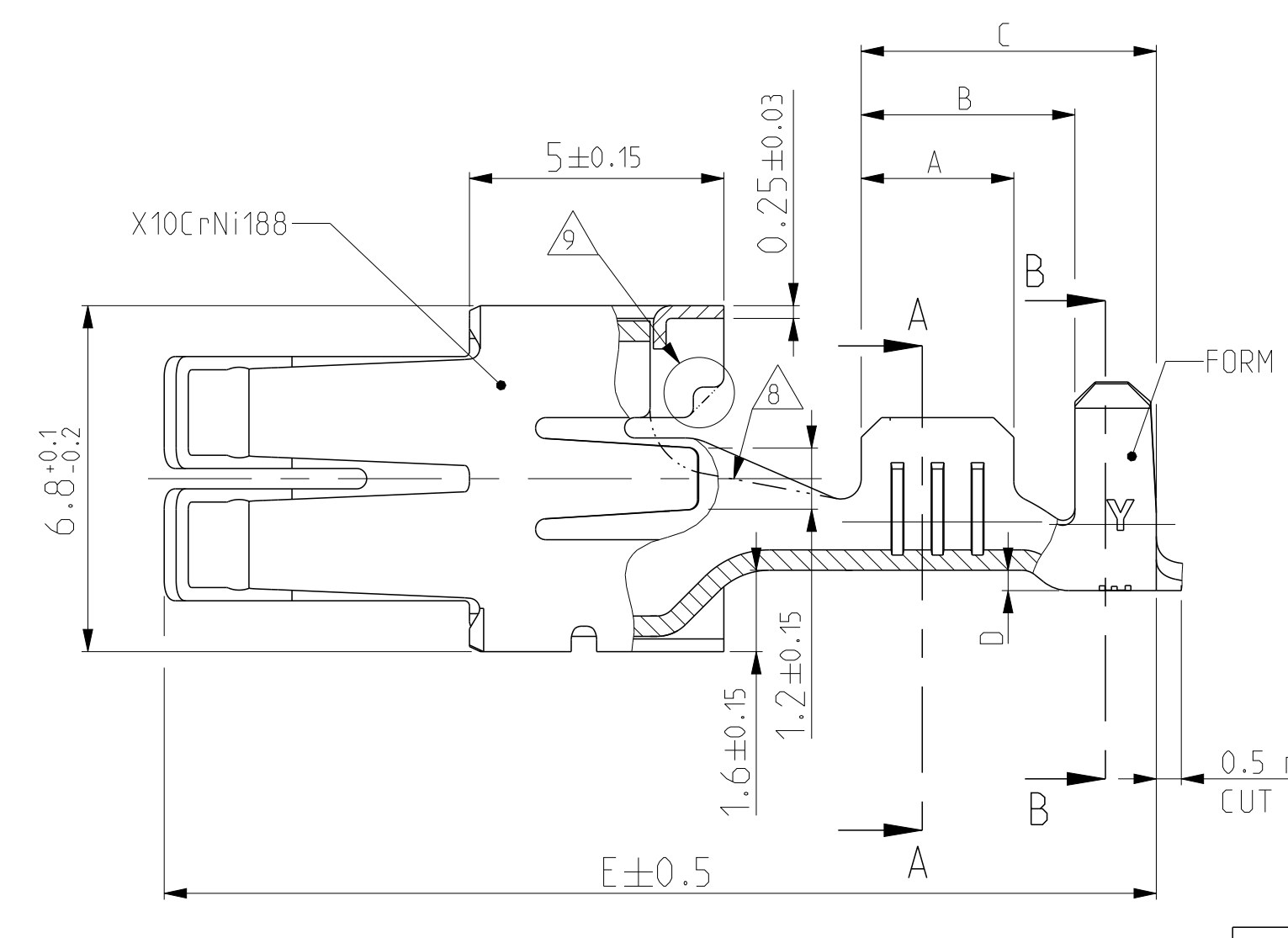


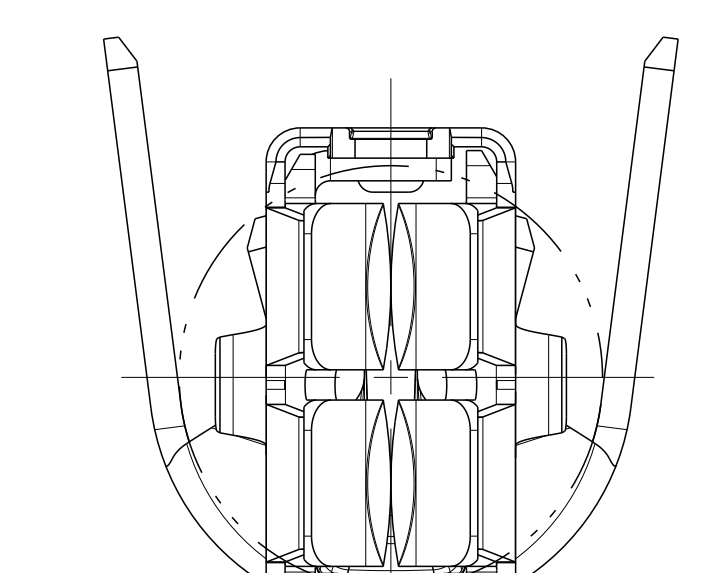
CONTACTS FOR FLR AND FLK CABLES
Kontakte fuer flr und FLK-Leitung

CONTACTS FOR SINGLE WIRE SEALING SYSTEM: FLR- AND FLK- CABLE
Kontakte fuer Einzel - Dichtung - System: FLR- UND FLK - Leitung

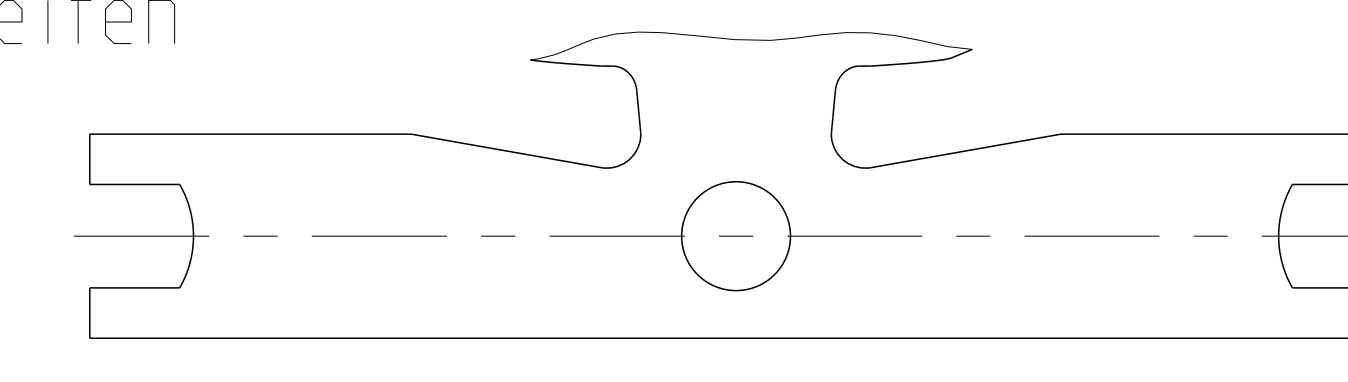


DIMENSIONS SEE FIGURE CONTACTS FOR FLR - CABLE
Masse siehe Darstellung der Kontakte fuer FLR -Leitung

ONLY FOR PIN : 964330 , 964332 , 964334 , 968035 and 968037
Nur fuer PN:



CARRIERSTRIP
Traegerstreifen



TE Connectivity ORDER - NO	TE Connectivity ORDER - NO	TE Connectivity ORDER - NO	WIRE RANGE	INSULATION Ø	MATERIAL	SURFACE	LENGTH	WIRE CRIMP	INSULATION CRIMP	CRIMP HEIGHT (CH)	ORDER - NO.	CRIMP DATA AND
STRIP FORM Bandware	STRIP FORM Bandware	STRIP FORM Bandware	Drahtgroessen Bereich (mm²)	Isolations Ø (mm)	Werkstoff	Oberflaeche	Laenge	Drahtcrimp	Isolationscrimp	Crimp - Hoehe	Bestell-Nr	CRIMP DATA AND CRIMP TOOL
(SERRATION DESIGN - D)	(SERRATION DESIGN - Z)	(SERRATION DESIGN - 3)						STRIP FORM / Bandware		Crimp - Hoehe	Ausdrueckwerkzeug	Crimpdaten u. Crimpwerkzeuge
-	-	-	-	-	-	-	-	-	-	-	-	-
1-1670426-6	D	-	-	-	-	-	-	-	-	-	-	-
-	-	-	-	-	-	-	-	-	-	-	-	-
2-968037-4	B	-	-	-	-	-	-	-	-	-	-	-
1-968037-4	B	-	-	-	-	-	-	-	-	-	-	-
0-968037-2	B	-	-	-	-	-	-	-	-	-	-	-
-	-	-	2-968035-4	B	-	-	-	-	-	-	-	-
-	-	-	-	-	-	-	-	-	-	-	-	-
-	-	-	0-968035-2	B	-	-	-	-	-	-	-	-
1-964334-5	B	-	-	-	-	-	-	-	-	-	-	-
1-964334-1	B	-	-	-	-	-	-	-	-	-	-	-
-	-	-	1-964332-5	B	-	-	-	-	-	-	-	-
-	-	-	964332-5	B	-	-	-	-	-	-	-	-
-	-	-	1-964332-2	B	-	-	-	-	-	-	-	-
-	-	-	1-964332-1	B	-	-	-	-	-	-	-	-
-	-	-	-	-	-	-	-	-	-	-	-	-
-	-	-	-	-	-	-	-	-	-	-	-	-
-	-	-	1-964330-2	B	-	-	-	-	-	-	-	-
-	-	-	1-964330-1	B	-	-	-	-	-	-	-	-
1-969044-5	B	-	-	-	-	-	-	-	-	-	-	-
969044-5	B	-	-	-	-	-	-	-	-	-	-	-
969044-1	B	-	-	-	-	-	-	-	-	-	-	-
-	-	-	-	-	-	-	-	-	-	-	-	-
-	-	-	-	-	-	-	-	-	-	-	-	-
-	-	-	969042-1	B	-	-	-	-	-	-	-	-
-	-	-	-	-	-	-	-	-	-	-	-	-
-	-	-	-	-	-	-	-	-	-	-	-	-
-	-	-	969040-1	B	-	-	-	-	-	-	-	-
-	-	-	-	-	-	-	-	-	-	-	-	-
-	-	-	-	-	-	-	-	-	-	-	-	-
964328-5	B	-	-	-	-	-	-	-	-	-	-	-
964328-1	B	-	-	-	-	-	-	-	-	-	-	-
-	-	-	964326-5	C	-	-	-	-	-	-	-	-
-	-	-	964326-1	C	-	-	-	-	-	-	-	-
-	-	-	-	-	-	-	-	-	-	-	-	-
-	-	-	-	-	-	-	-	-	-	-	-	-
-	-	-	964324-1	B	-	-	-	-	-	-	-	-
-	-	-	-	-	-	-	-	-	-	-	-	-
-	-	-	-	-	-	-	-	-	-	-	-	-
-	-	-	964322-1	B	-	-	-	-	-	-	-	-

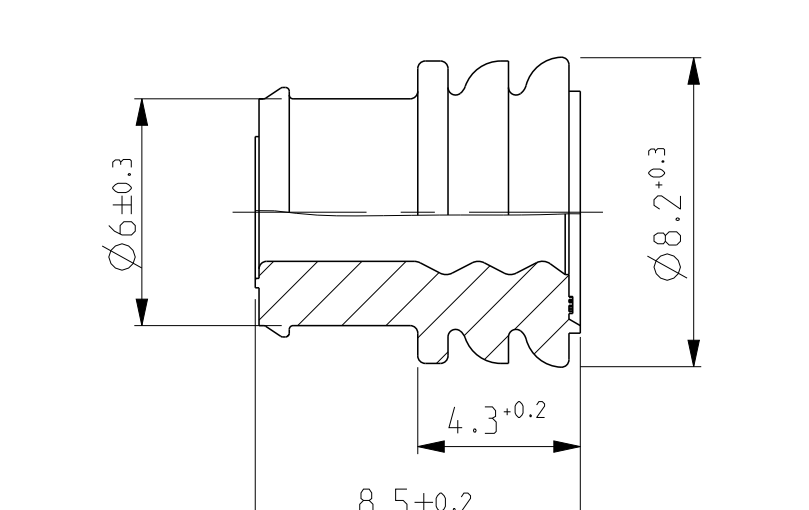
SEE APPLICATION SPECIFICATION
siehe Verarbeitungsangabe / Spezifikation
114 - 18037

968107-1

SINGLE WIRE SEALING SYSTEM
FLR / FLK
FLR - CABLE / Leitung

- 1 ACCORDING INSULATION Ø IS TO CHOOSE THE SINGLE WIRE SEAL ATTENTION: DIFFERENT HOUSING CAVITY DIAMETER ARE POSSIBLE. PLEASE NOTICE APPROPRIATE HOUSING PRODUCT SPECIFICATION ! Entsprechend dem Isolationsdurchmesser ist die Einzel- Dichtung auszuwählen Achtung: Verschiedene Gehaeuse- kammer- Durchmesser moeglich. Bitte entsprechende Gehaeuse- Product- Spezifikation beachten !
- 2 ADDITIONAL CUSTOMER-SPECIFIC SEAL EXISTING Weitere kundenspezifische Einzeldichtung vorhanden
- 3 BODY ELECTRO TIN PLATED OVER NICKEL 0.2µm min. Kontaktkoerper : gal. verzinkt ueber Nickel 0.2µm min. CONTACT AREA SELECTIVE GOLD OVER NICKEL 0.8µm min. Kontaktzone: selektiv vergoldet ueber Ni 0.8µm min.
- 4 CONTACT ZONE SELECTIVE PRE SILVER PLATED MIN. 1-1.5µm Kontaktzone selektiv vorversilbert min. 1-1.5µm
- 5 CONTACT BODY ELECTRO TIN LATED OVER NICKEL 0.2µm min. kontaktkoerper : gal. verzinkt ueber Nickel 0.2µm min. TOUCHING AREA TO CANTILEVER SPRING SELECTIVE AU PLATED OVER NICKEL 0.8µm min. Anlageflaeche zur Ueberfeder Kontaktzone selektiv Au ueber Ni beschichtet 0.8µm min CANTILEVER SPRING: COMPLETELY AU PLATED 0.6µm min. Ueberfeder: komplett Au beschichtet 0.6µm min.
- 6 CONTACT ZONE SELECTIVE PRE SILVER PLATED MIN. 3- 4.5µm Kontaktzone selektiv vorversilbert min. 3- 4.5µm
- 7 1-3 µm Sn28M LAYER FOR HIGHER TEMPERATURE REQUIREMENTS 1-3 µm Sn28M Schicht fuer Hoehere Temperaturanforderungen
- 8 TRANSITION ONLY FOR PN 964325 AND 964326 Uebergang nur fuer PN 964325 und 964326
- 9 DOTTED LINE IS ALTERNATIVE SHAPE Gestrichelte Linie alternative Form
- 10 THICKNESS OF MATERIAL 0.4±0.03 mm Materialstaerke 0.4±0.03 mm

- 11 OBSOLETE
- 12 SEE APPLICATION SPEC. FOR PREFERRED STANDARD TO MEET NEW REQUIREMENT ØLV214-2 SLOW MOTION BENDING TEST
Siehe Verarbeitungs Spezifikation fuer bevorzugten Standard um den neuen Anforderungen der LV214-2 Slow Motion Pruefung zu genuegen



ORDER-NO. Bestell-Nr	INSULATION Ø Isolations Ø	COLOUR Farbe
963245-1	3.4 - 3.7	YELLOW gelb
963244-1	2.2 - 3.0	WHITE weiss
963243-1	1.2 - 2.1	BLUE blau
100132-1	-	BLACK schwarz
967011-1	3.6 - 4.3	GREEN gruen
968043-1	4.3 - 5.1	RED rot

X-ON Electronics

Largest Supplier of Electrical and Electronic Components

Click to view similar products for [Automotive Connectors](#) category:

Click to view products by [TE Connectivity](#) manufacturer:

Other Similar products are found below :

[003-018-000](#) [60403001](#) [60993906-B](#) [M902-2131](#) [M902-2161](#) [72.330.1035.1](#) [73.353.4028.0](#) [F119300-B](#) [F166900](#) [F258300-B](#) [F358300-B](#)
[F407400](#) [F444110](#) [F487000](#) [F509500B-B](#) [827153-1](#) [8N1515-32-24P](#) [9-1326729-8](#) [925474-1](#) [928905-1](#) [964562-4](#) [968782-1](#) [GT17SA-8DS-](#)
[HU](#) [98891-1012](#) [98947-1016](#) [12004147](#) [12004475-L](#) [12010290](#) [12010309-B](#) [12015454](#) [12020219-B](#) [12020308](#) [12041318-B](#) [12052225-L](#)
[12052466](#) [12059125](#) [12064869](#) [12004327-B](#) [12010503-B](#) [12015308](#) [12015384](#) [12015909](#) [1-21030-1](#) [12041254](#) [12041318](#) [12047946-B](#)
[12047957](#) [12047957-L](#) [12059473](#) [12066261](#)