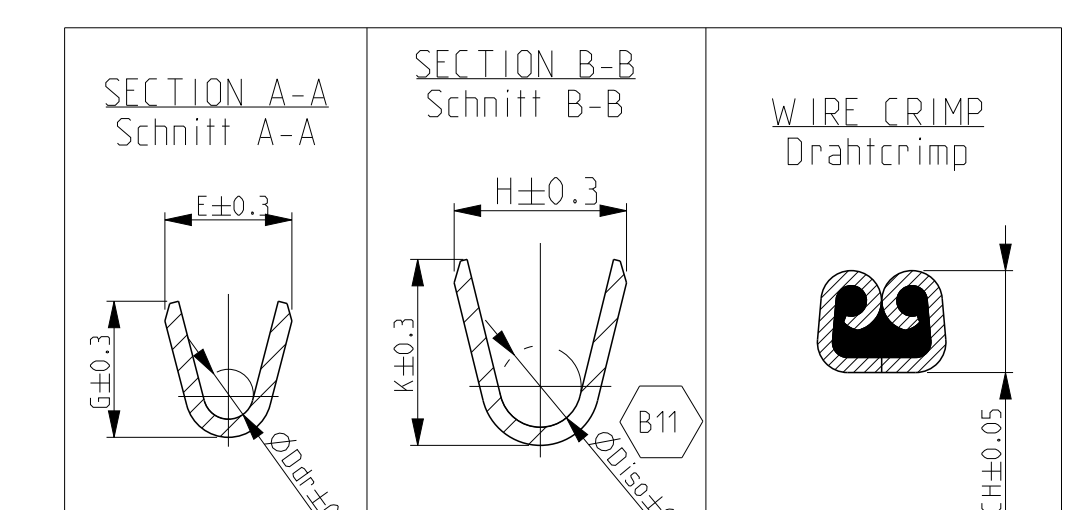
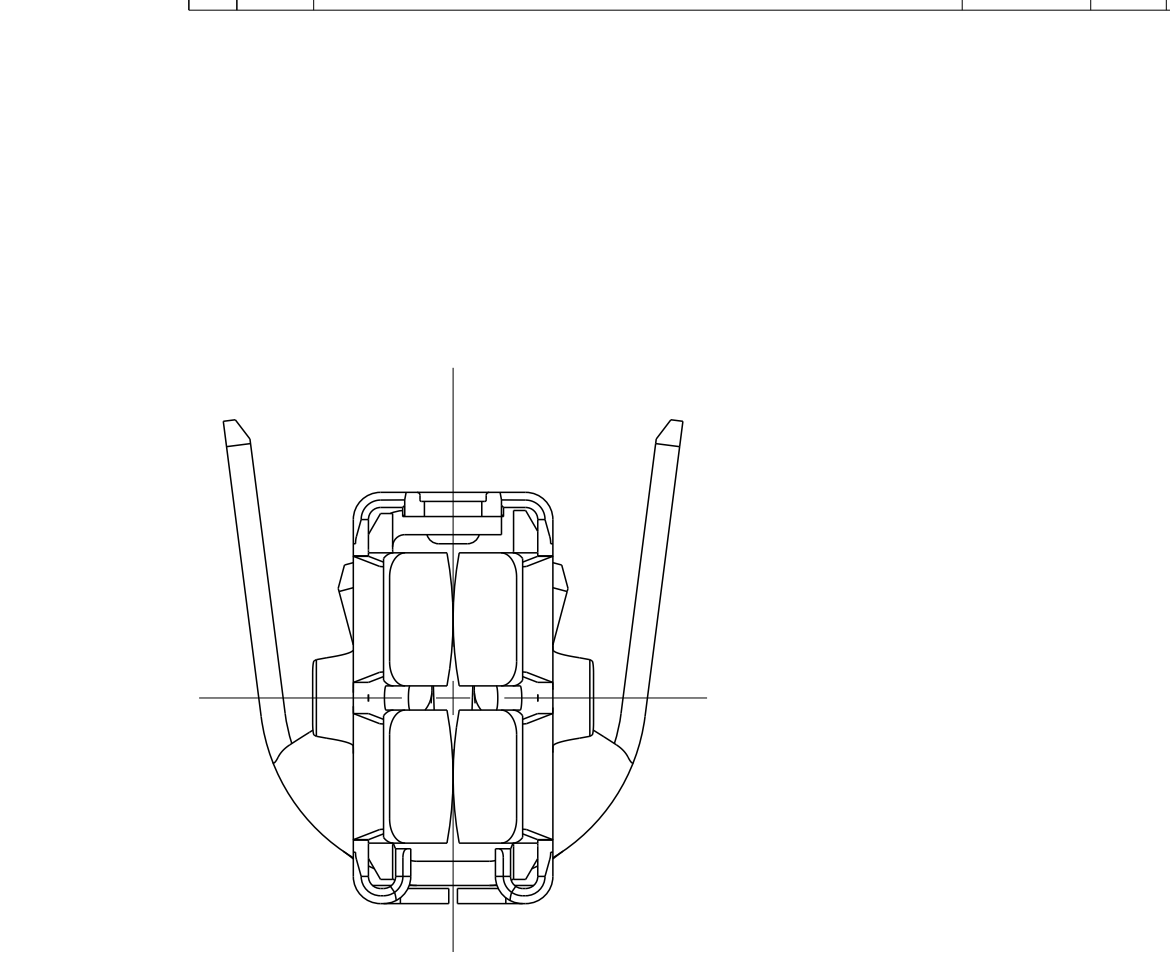
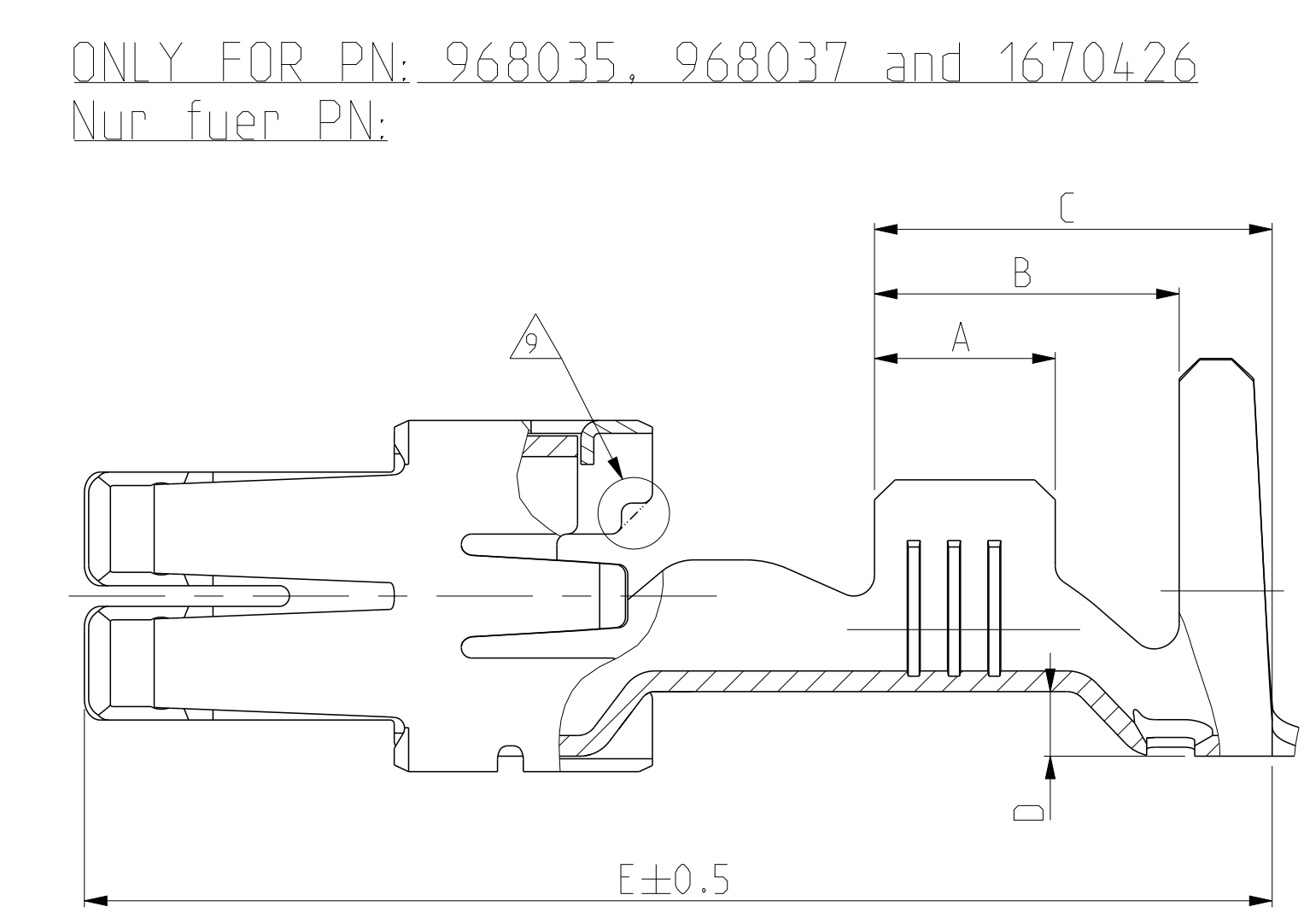
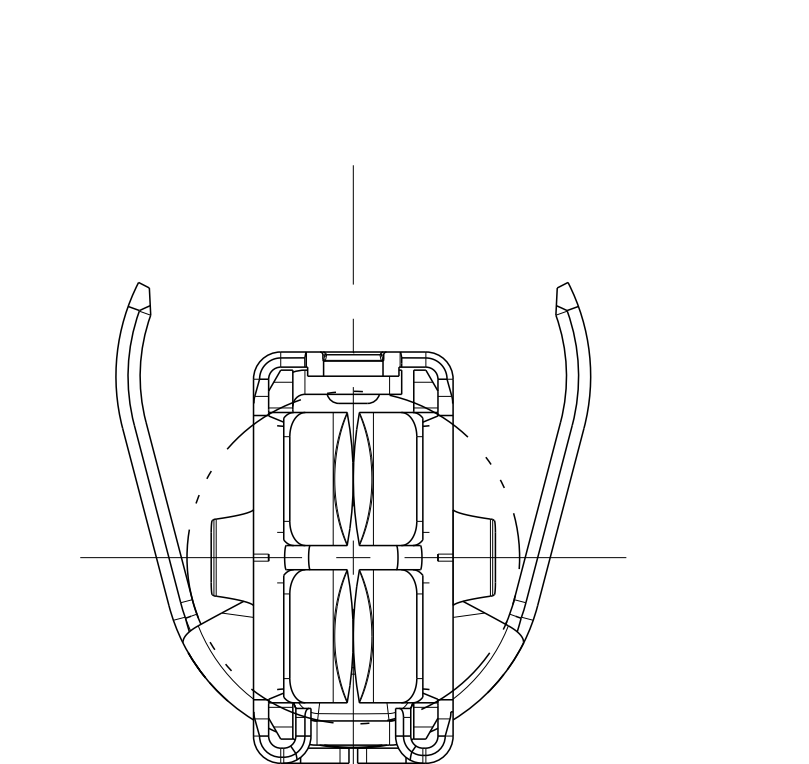
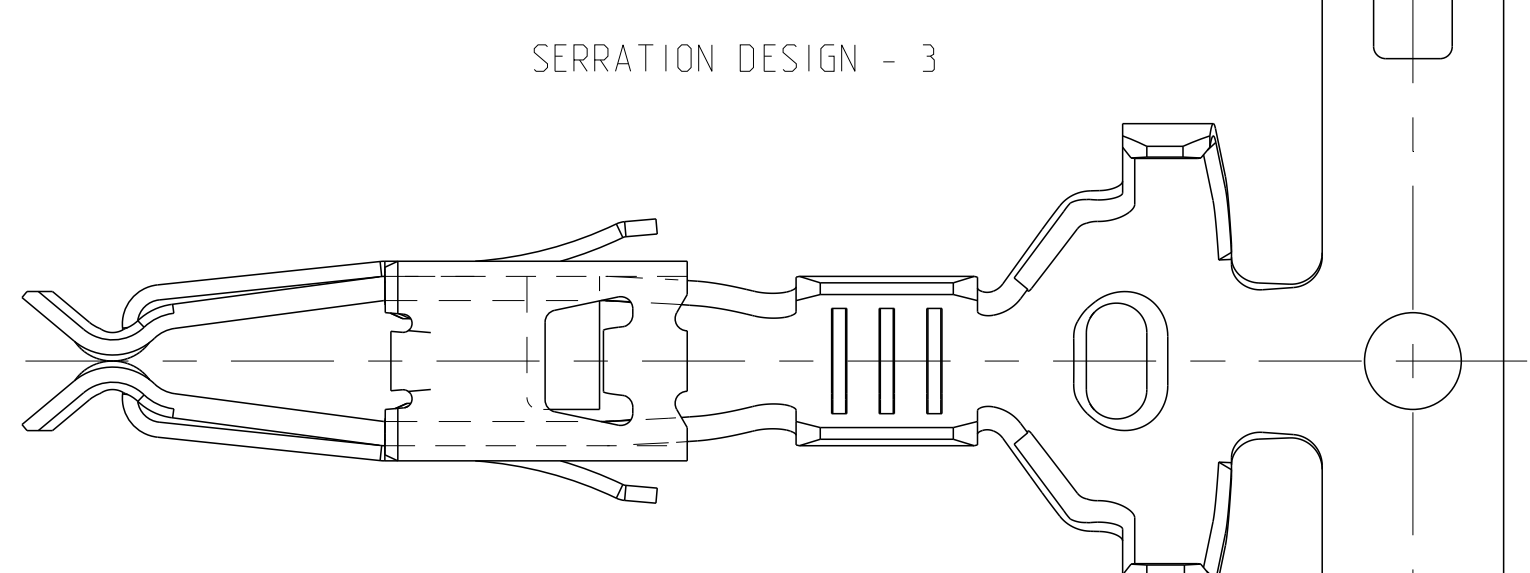
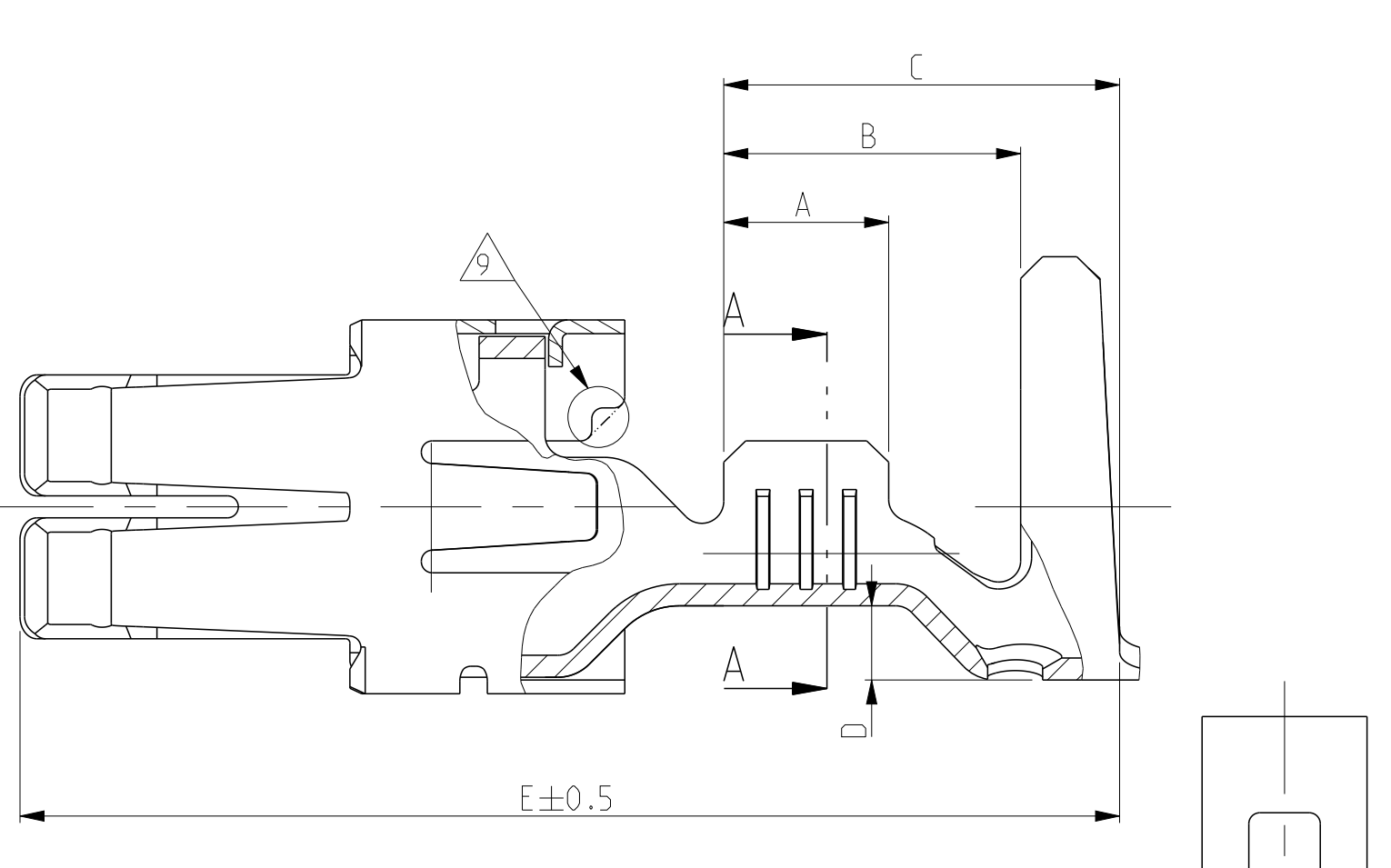
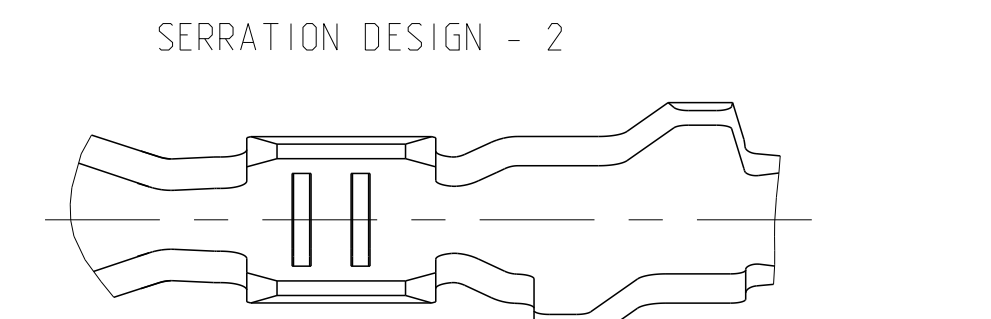
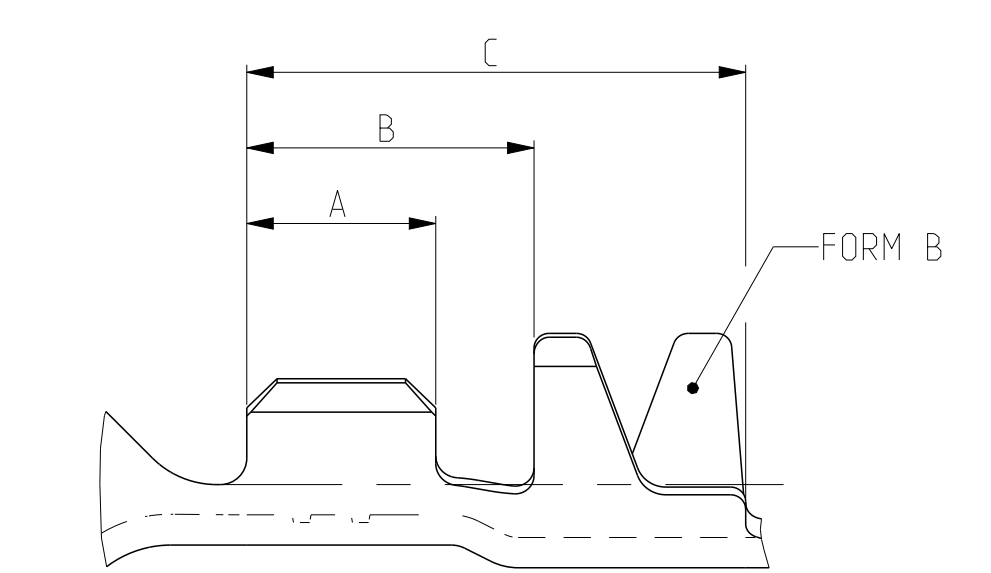
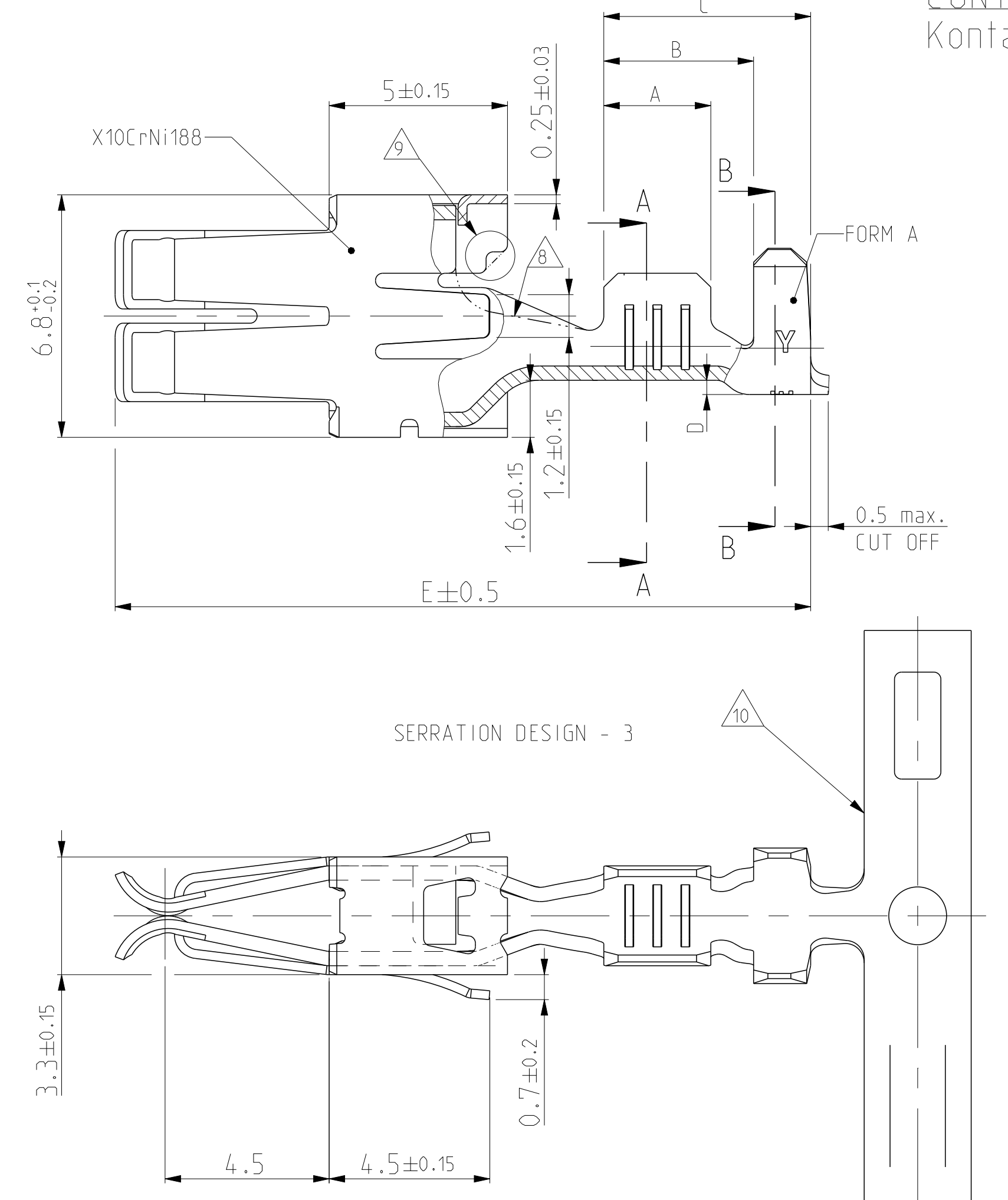


CONTACTS FOR FLR AND FLK CABLES
Kontakte fuer flr und FLK-Leitung

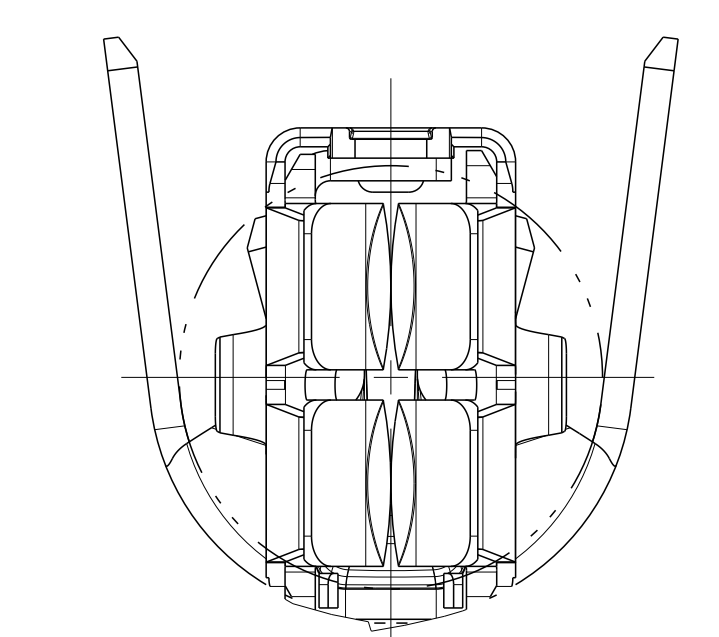


CONTACTS FOR SINGLE WIRE SEALING SYSTEM: FLR- AND FLK- CABLE
Kontakte fuer Einzel - Dichtung - System: FLR- UND FLK - Leitung

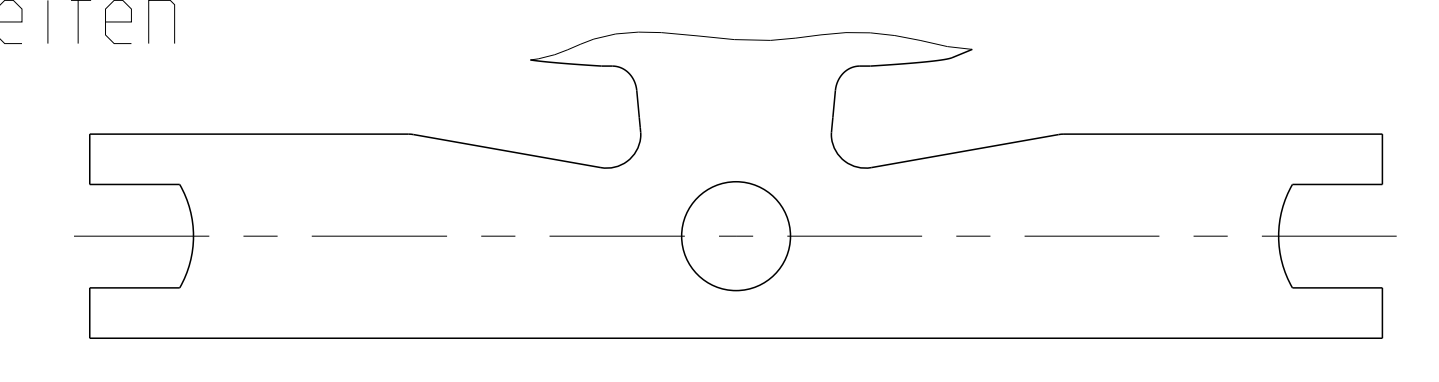
ONLY FOR PN: 968035, 968037 and 1670426
Nur fuer PN:

DIMENSIONS SEE FIGURE CONTACTS FOR FLR - CABLE
Masse siehe Darstellung der Kontakte fuer FLR -Leitung

ONLY FOR PIN : 964330 , 964332 , 964334 , 968035 and 968037
Nur fuer PN:



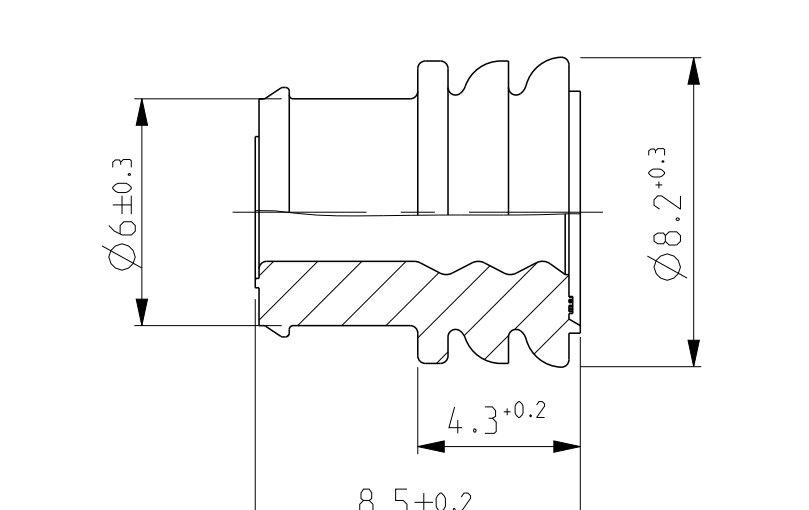
CARRIERSTRIP
Traegerstreifen



PN	REV	STRIP FORM BANDWARE (SERRATION DESIGN - D)	TE CONNECTIVITY ORDER - NO (SERRATION DESIGN - 2)	TE CONNECTIVITY ORDER - NO (SERRATION DESIGN - 3)	WIRE RANGE Drahtgroessen Bereich (mm²)	INSULATION Ø Isolations Ø (mm)	MATERIAL Werkstoff	SURFACE Oberflaeche	LENGTH Laenge	WIRE CRIMP Drahtcrimp	INSULATION CRIMP Isolationscrimp	CRIMP HEIGHT (CH) Crimp - Hoehe	ORDER- NO. Bestell-Nr	CRIMP DATA AND CRIMP TOOL Crimpdaten u. Crimpwerkzeuge
1-1670426-6	D	-	-	-	>4.0 - 6.0 INCL AWG 10	>3.6 - 5.1 6.0 (SEAL)	CuNiSi	-	A=4.30 B=6.50 C=8.30 D=1.45 E=20.0	E =5.30 G =5.60 D ₁₅₀ =2.90	H =8.15 K =8.00 D ₁₅₀ =6.00	5.00mm² = 2.36 6.00mm² = 2.55 PRELIMINARY vortlaufig	968107-1	
2-968037-4	B	-	-	-	>2.5 - 4.0	3.4 - 3.7	CuSn4	sel. Gold vorverzinkt	A=4.00 B=5.90 C=7.70 D=1.25 E=23.0	E =4.60 G =4.80 D ₁₅₀ =2.40	H =7.60 K =7.70 D ₁₅₀ =5.60	4.00mm² = 2.35 3.00mm² = 2.13	968107-1	
1-968037-4	B	-	-	-	>1.0 - 2.5	2.7 - 3.7	CuSn4	vorverzinkt	A=3.50 B=5.90 C=7.70 D=1.25 E=23.0	E =3.80 G =4.10 D ₁₅₀ =1.60	H =7.60 K =7.70 D ₁₅₀ =5.60	1.50mm² = 1.76 2.00mm² = 1.90 2.50mm² = 2.04	968107-1	
0-968037-2	B	-	-	-	>2.5 - 4.0	3.4 - 4.5	CuSn4	vorverzinkt	A=4.00 B=5.90 C=7.70 D=1.25 E=20.0	E =4.60 G =4.80 D ₁₅₀ =2.40	H =7.80 K =7.80 D ₁₅₀ =5.70	3.00mm² = 2.13 4.00mm² = 2.35	968107-1	
1-964334-5	B	-	-	-	>1.0 - 2.5	2.2 - 3.7	CuFe2	sel. Gold vorverzinkt	A=3.50 B=5.90 C=7.70 D=1.25 E=20.0	E =3.80 G =4.00 D ₁₅₀ =1.70	H =7.80 K =7.80 D ₁₅₀ =5.70	1.50mm² = 1.76 2.00mm² = 1.90 2.50mm² = 2.04	968107-1	
1-964334-1	B	-	-	-	>0.5 - 1.0	1.4 - 2.7	CuFe2	sel. Gold vorverzinkt	A=3.00 B=5.40 C=7.20 D=1.25 E=20.0	E =2.80 G =3.00 D ₁₅₀ =1.10	H =7.70 K =7.70 D ₁₅₀ =5.50	0.50mm² = 1.43 0.75mm² = 1.52 1.00mm² = 1.61	968107-1	
1-969044-5	B	-	-	-	>2.5 - 4.0	3.4 - 4.5	CuFe2	vorverzinkt	A=4.00 B=5.90 C=7.70 D=1.45 E=20.0	E =4.60 G =4.80 D ₁₅₀ =2.40	H =8.15 K =8.00 D ₁₅₀ =6.00	4.00mm² = 2.35	968107-1	
969044-5	B	-	-	-	>1.0 - 2.5	2.2 - 3.7	CuFe2	vorverzinkt	A=3.50 B=5.90 C=7.70 D=1.45 E=20.0	E =3.80 G =4.00 D ₁₅₀ =1.70	H =8.15 K =8.00 D ₁₅₀ =5.70	2.50mm² = 2.04 2.00mm² = 1.90 1.50mm² = 1.76	968107-1	
969044-1	B	-	-	-	>0.5 - 1.0	1.4 - 2.7	CuFe2	vorverzinkt	A=3.00 B=5.40 C=7.20 D=1.35 E=20.0	E =2.80 G =3.00 D ₁₅₀ =1.10	H =7.85 K =7.70 D ₁₅₀ =5.50	1.00mm² = 1.61 0.75mm² = 1.52 0.50mm² = 1.43	968107-1	
964328-5	B	-	-	-	>2.5 - 4.0	3.3 - 4.5	CuFe2	vorverzinkt	A=4.00 B=5.20 C=6.80 D=0.60 E=19.50	E =4.60 G =4.80 D ₁₅₀ =2.40	H =6.40 K =6.70 D ₁₅₀ =4.00	3.00mm² = 2.13 3.50mm² = 2.24 4.00mm² = 2.35	968107-1	
964328-1	B	-	-	-	>1.0 - 2.5	2.2 - 3.0	CuFe2	vorverzinkt	A=3.50 B=4.70 C=6.30 D=0.40 E=19.50	E =3.80 G =4.00 D ₁₅₀ =1.70	H =4.70 K =4.90 D ₁₅₀ =2.60	1.50mm² = 1.76 2.00mm² = 1.90 2.50mm² = 2.04	968107-1	
964326-5	C	-	-	-	>0.5 - 1.0	1.4 - 2.7	CuFe2	vorverzinkt	A=3.00 B=4.20 C=5.80 D=0.40 E=19.50	E =2.80 G =3.00 D ₁₅₀ =1.10	H =3.80 K =4.10 D ₁₅₀ =1.80	0.50mm² = 1.43 0.75mm² = 1.52 1.00mm² = 1.61	968107-1	
964326-1	C	-	-	-	>0.2 - 0.5	1.15 - 1.6	CuFe2	vorverzinkt	A=2.50 B=3.00 C=6.60 D=0.30 E=19.50	E =2.20 G =2.20 D ₁₅₀ =0.80	H =3.10 K =3.10 D ₁₅₀ =1.40	0.20mm² = 1.13 0.25mm² = 1.15 0.35mm² = 1.19 0.50mm² = 1.26	968107-1	

SEE APPLICATION SPECIFICATION
siehe Verarbeitungsspezifikation
114 - 18037

- 11 ACCORDING INSULATION Ø IS TO CHOOSE THE SINGLE WIRE SEAL ATTENTION: DIFFERENT HOUSING CAVITY DIAMETER ARE POSSIBLE. PLEASE NOTICE APPROPRIATE HOUSING PRODUCT SPECIFICATION ! Entsprechend dem Isolationsdurchmesser ist die Einzel - Dichtung auszuwaehlen. Achtung: Verschiedene Gehaeuse- kammer- Durchmesser moeglich. Bitte entsprechende Gehaeuse- Product- Spezifikation beachten !
- 12 OBSOLETE
- 12 SEE APPLICATION SPEC. FOR PREFERRED STANDARD TO MEET NEW REQUIREMENT ØLV214-2 SLOW MOTION BENDING TEST. Siehe Verarbeitungs Spezifikation fuer bevorzugten Standard um den neuen Anforderungen der LV214-2 Slow Motion Pruefung zu genuegen.
- 2 ADDITIONAL CUSTOMER-SPECIFIC SEAL EXISTING. Weitere kundenspezifische Einzeldichtung vorhanden.
- 3 BODY ELECTRO TIN PLATED OVER NICKEL 0.2µm min. Kontaktkoerper : gal. verzinkt ueber Nickel 0.2µm min. CONTACT AREA SELECTIVE GOLD OVER NICKEL 0.8µm min. Kontaktzone: selektiv vergoldet ueber Ni 0.8µm min.
- 4 CONTACT ZONE SELECTIVE PRE SILVER PLATED MIN. 1-1.5µm Kontaktzone selektiv vorversilbert min. 1-1.5µm
- 5 CONTACT BODY ELECTRO TIN LATED OVER NICKEL 0.2µm min. kontaktkoerper : gal. verzinkt ueber Nickel 0.2µm min. TOUCHING AREA TO CANTILEVER SPRING SELECTIVE AU PLATED OVER NICKEL 0.8µm min. Anlageflaeche zur Ueberfeder Kontaktzone selektiv Au ueber Ni beschichtet 0.8µm min. CANTILEVER SPRING: COMPLETELY AU PLATED 0.6µm min. Ueberfeder: komplett Au beschichtet 0.6µm min.
- 6 CONTACT ZONE SELECTIVE PRE SILVER PLATED MIN. 3- 4.5µm Kontaktzone selektiv vorversilbert min. 3- 4.5µm
- 7 1-3 µm Sn28M LAYER FOR HIGHER TEMPERATURE REQUIREMENTS 1-3 µm Sn28M Schicht fuer hoehere Temperaturanforderungen
- 8 TRANSITION ONLY FOR PN 964325 AND 964326 Uebergang nur fuer PN 964325 und 964326
- 9 DOTTED LINE IS ALTERNATIVE SHAPE Gestrichelte Linie alternative Form
- 10 THICKNESS OF MATERIAL 0.4±0.03 mm Materialstaerke 0.4±0.03 mm



PN	REV	INSULATION Ø Isolations Ø (mm)	INSULATION CRIMP Isolationscrimp	CRIMP HEIGHT (CH) Crimp - Hoehe	ORDER- NO. Bestell-Nr	CRIMP DATA AND CRIMP TOOL Crimpdaten u. Crimpwerkzeuge
963245-1	3.4 - 3.7	YELLOW gelb				
963244-1	2.2 - 3.0	WHITE weiss				
963243-1	1.2 - 2.1	BLUE blau				
100132-1	DEAD END PLUG	BLACK schwarz				
967011-1	3.6 - 4.3	GREEN gruen				
968043-1	4.3 - 5.1	RED rot				

X-ON Electronics

Largest Supplier of Electrical and Electronic Components

Click to view similar products for [Automotive Connectors](#) category:

Click to view products by [TE Connectivity](#) manufacturer:

Other Similar products are found below :

[003-018-000](#) [60403001](#) [60993906-B](#) [M902-2131](#) [M902-2161](#) [M902-2344](#) [72.330.1035.1](#) [73.353.4028.0](#) [F119300-B](#) [F166900](#) [F258300-B](#)
[F358300-B](#) [F407400](#) [F444110](#) [F487000](#) [F509500B-B](#) [827153-1](#) [8N1515-32-24P](#) [9-1326729-8](#) [925474-1](#) [928905-1](#) [964562-4](#) [968782-1](#)
[GT17SA-8DS-HU](#) [98891-1012](#) [98947-1016](#) [12004147](#) [12004475-L](#) [12010290](#) [12015454](#) [12020219-B](#) [12041318-B](#) [12052225-L](#) [12052466](#)
[12064869](#) [12004327-B](#) [12015308](#) [12015384](#) [12015909](#) [1-21030-1](#) [12041254](#) [12041318](#) [12047946-B](#) [12047957](#) [12047957-L](#) [12059473](#)
[12066261](#) [12110546](#) [12110546-B](#) [12131792](#)