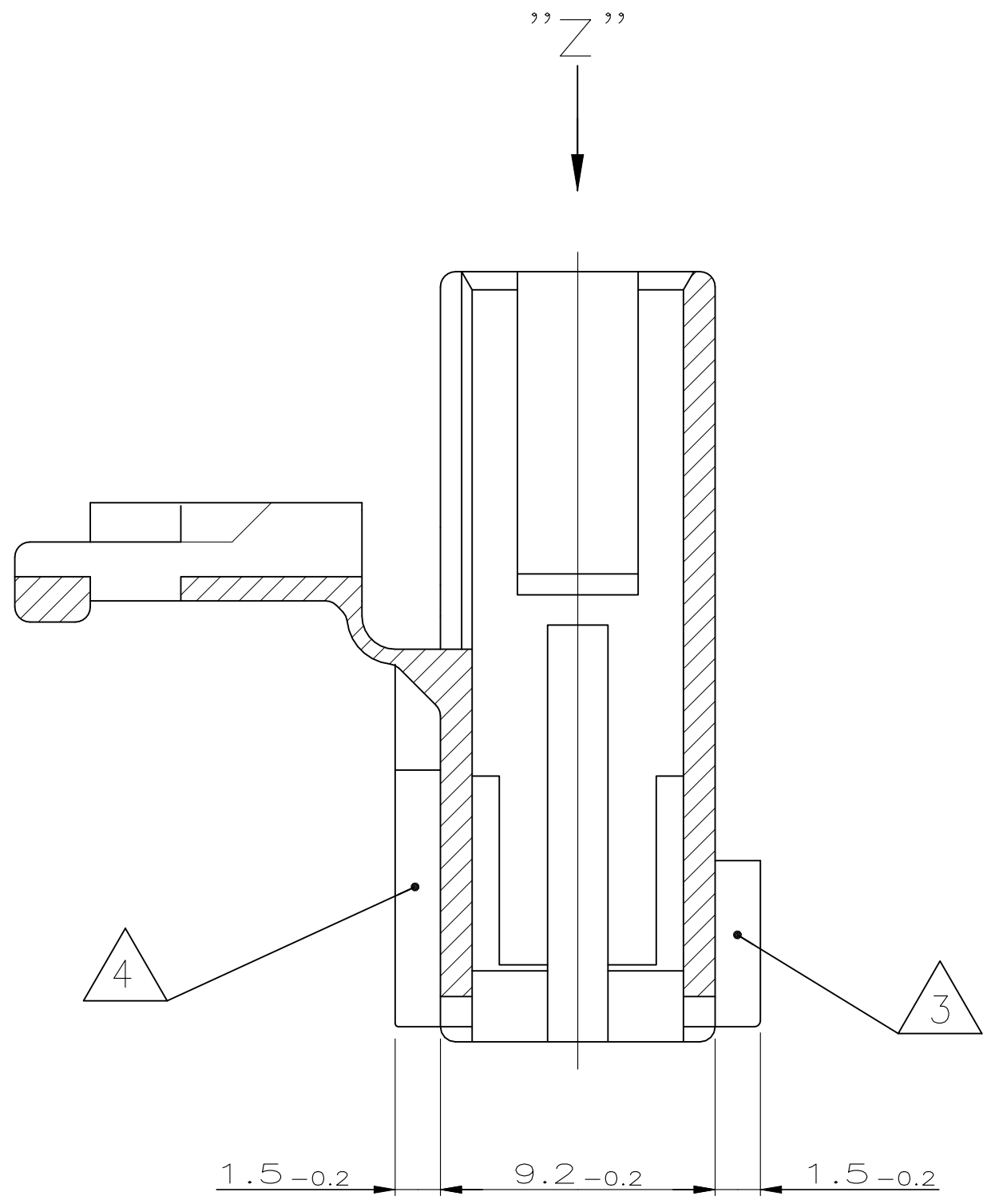
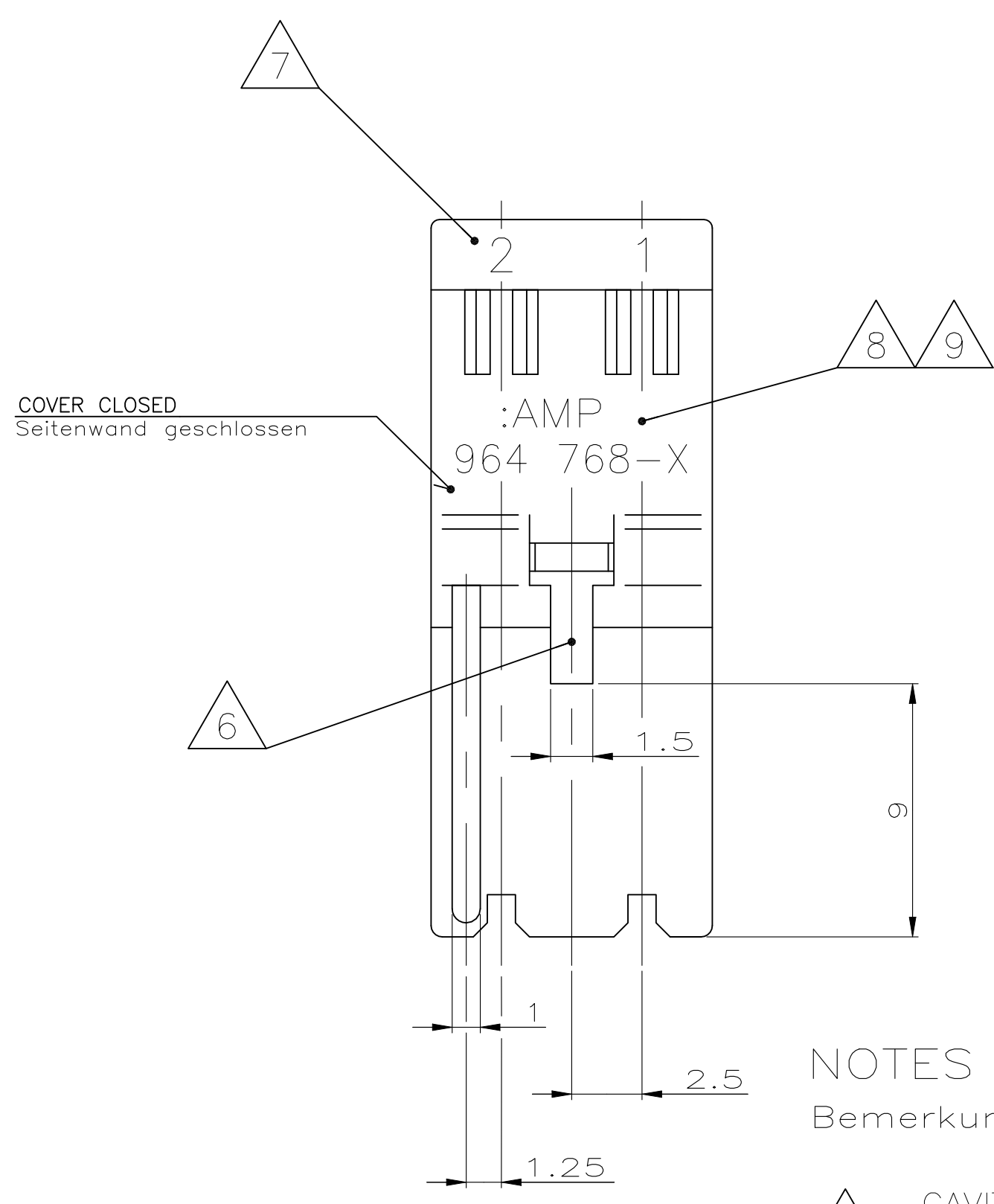
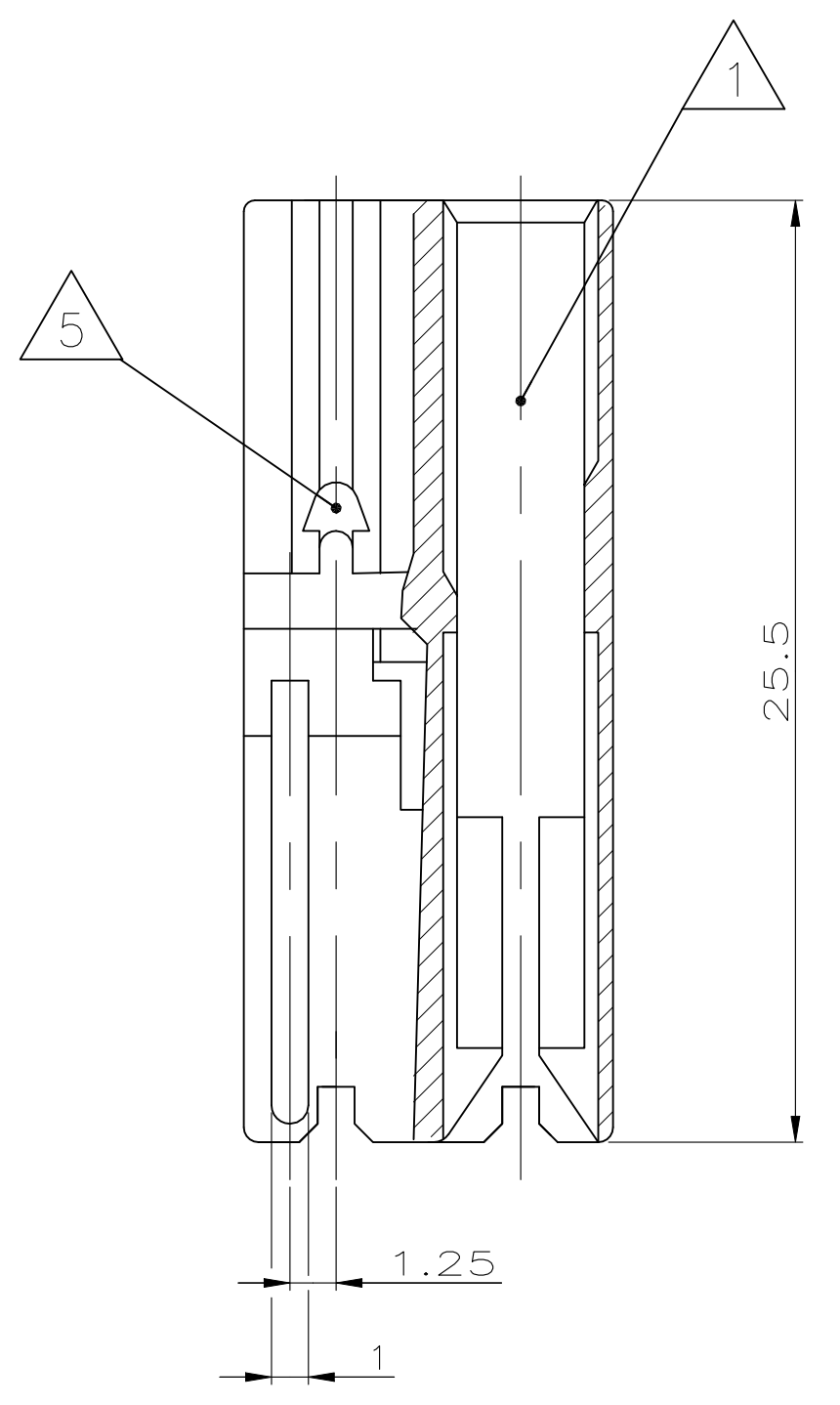


REVISIONS				
REV	DATE	DESCRIPTION	BY	APPD
C10	05MAY2021	ECR-21-102281	PJ	FL

NUMBER 964768
 VERWENDET FÜR
 PASSEND ZU
 PART NR. 94-52864-1



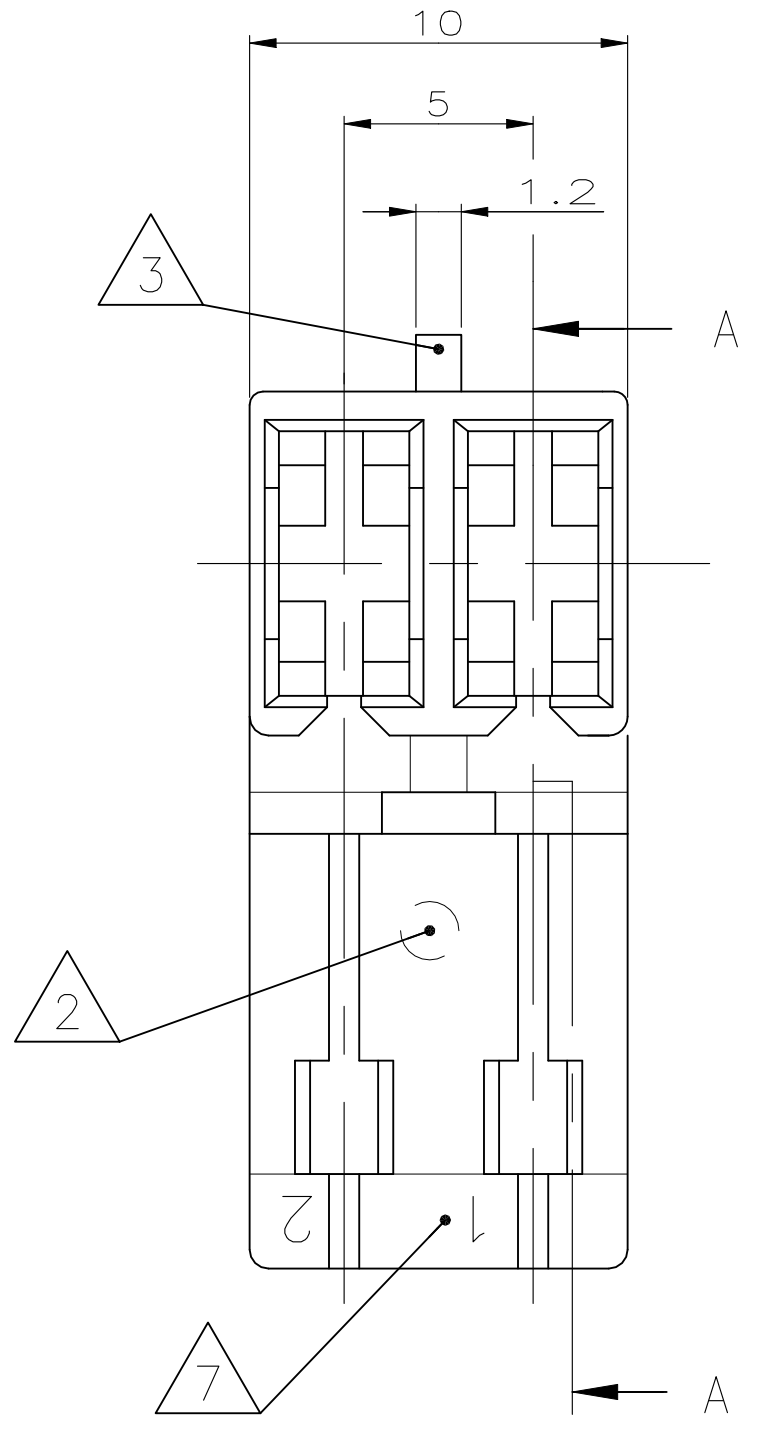
SECTION A-A (TURNED AT 90°)
 Schnitt A-A (um 90° gedreht)



NOTES

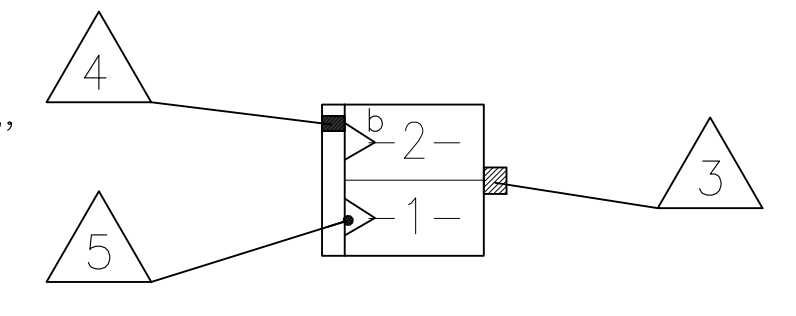
Bemerkungen

- 1 CAVITY SUITABLE TO AMP TIMER-CONTACTS:
Kammer geeignet für AMP Timer-Kontakte: PN 926965/926973/926005/926006/927833/927837
- 2 CAVITY MARKING
Nestmarkierung
- 3 SPECIAL KEYING BETWEEN CAVITY NO. 1 AND 2
Sonderkodierung zwischen Kammer Nr. 1 und 2
- 4 POLARIZATION RIB GO THROUGH TO HINGE
Polarisierungsrippe durchgehend bis Scharnier
- 5 LOCKING DEVICE FOR COVER AT CAVITY NO. 1 AND 2
Verrastung für Deckel bei Kammer No. 1 und 2
- 6 MATING STOP BETWEEN CAVITY NO. 1 AND 2
Tiefenanschlag zwischen Kammer Nr. 1 und 2
- 7 CONTACT CAVITY NO.
Kammernummer
- 8 TE LOGO AND PART NUMBER (OPTIONAL).
- 9 PN 964768-1 WILL BE ALSO DELIVERED WITH THE INSCRIPTION 964768-2
PN 964768-1 wird auch mit der Aufschrift 964768-2 geliefert
- 10 LOOSE PARTS PACKED IN PE-BAG
Verpackung, lose im PE-Beutel
- 11 TYCO-LOGO AND PART NUMBER
tyco-Logo und Bestellnummer
- 12 PN 964768-1 IS ALSO MANUFACTURED WITH THE PN-INSERTION 964768-2
PN 964768-1 wird mit dem PN-Stempel 964768-2 gefertigt
- 13 MATERIAL CORRESPONDS TO REQUIREMENT EN 60335
(INCL. GLOW WIRE TEST 750°C, NO FLAME)
Material entspricht den Anforderungen der EN 60335
(incl. glow wire test 750°C, ohne Flamme)
- 14 MATERIAL GRADE IS V0 & GWT 750°C, NO FLAME
- 15 PRELIMINARY - NOT RELEASED FOR PRODUCTION



16 DOUBLE SOURCE RESIN: ALTERNATIVE RESIN UNDER APPROVAL.

KEYING PLAN AT DIRECTION "Z"
 Kodierschema in Richtung "Z"



PART NUMBER	REV	DESCRIPTION	NOTES	MATERIAL	COLOUR
1-964768-2	C	2 POS. STANDARD TIMER HSG.		PA66	BLUE
1-964 768-1	C	2 POS. STANDARD TIMER HSG.		PA66	NATURE
0-964 768-4	C	2 POS. STANDARD TIMER HSG.		PA 6	BLACK
0-964 768-3	C	2 POS. STANDARD TIMER HSG.		PA 6	NATURE
0-964 768-2	C	2 POS. STANDARD TIMER HSG.		PA6,6	GREY
0-964 768-1	C	2 POS. STANDARD TIMER HSG.		PA6,6	NATURE

THIS DRAWING IS A CONTROLLED DOCUMENT.		DIN ATZMANN 20.3.95	TE Connectivity	
DIMENSIONS: mm		CIK BARTOSCH 20.3.95		
TOLERANCES UNLESS OTHERWISE SPECIFIED:		NAME		
0. PLC ± -	1. PLC ± -	PRODUCT SPEC		
2. PLC ± 0.2mm	3. PLC ± -	108-18049-1		
4. PLC ± -	ANGLES ± -	APPLICATION SPEC		
MATERIAL SEE TABLE	FINISH -	SIZE A1	CAGE CODE 00779	DRAWING NO. 964768
		WEIGHT -	CUSTOMER DRAWING	RESTRICTED TO
		SCALE 5:1	SHEET 1 of 1	REV C10

X-ON Electronics

Largest Supplier of Electrical and Electronic Components

Click to view similar products for [Automotive Connectors](#) category:

Click to view products by [TE Connectivity](#) manufacturer:

Other Similar products are found below :

[003-018-000](#) [60403001](#) [60993906-B](#) [M902-2131](#) [M902-2161](#) [M902-2344](#) [72.330.1035.1](#) [73.353.4028.0](#) [F119300-B](#) [F166900](#) [F258300-B](#)
[F358300-B](#) [F407400](#) [F444110](#) [F487000](#) [F509500B-B](#) [827153-1](#) [8N1515-32-24P](#) [9-1326729-8](#) [925474-1](#) [928905-1](#) [964562-4](#) [968782-1](#)
[GT17SA-8DS-HU](#) [98891-1012](#) [98947-1016](#) [12004147](#) [12004475-L](#) [12010290](#) [12010309-B](#) [12015454](#) [12020219-B](#) [12041318-B](#) [12052225-](#)
[L](#) [12052466](#) [12064869](#) [12004327-B](#) [12015308](#) [12015384](#) [12015909](#) [1-21030-1](#) [12041254](#) [12041318](#) [12047946-B](#) [12047957](#) [12047957-L](#)
[12059473](#) [12066261](#) [12110546](#) [12110546-B](#)