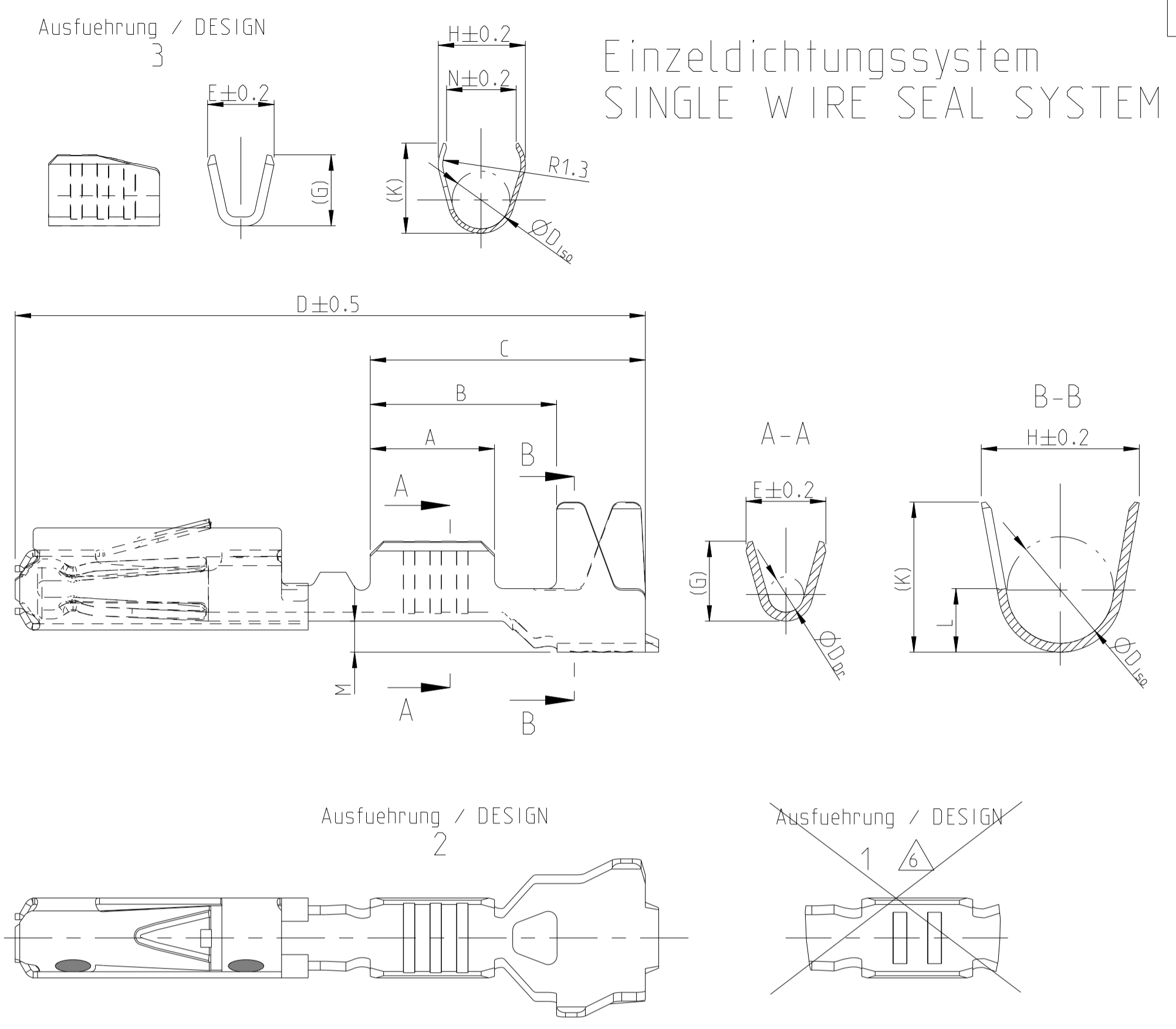
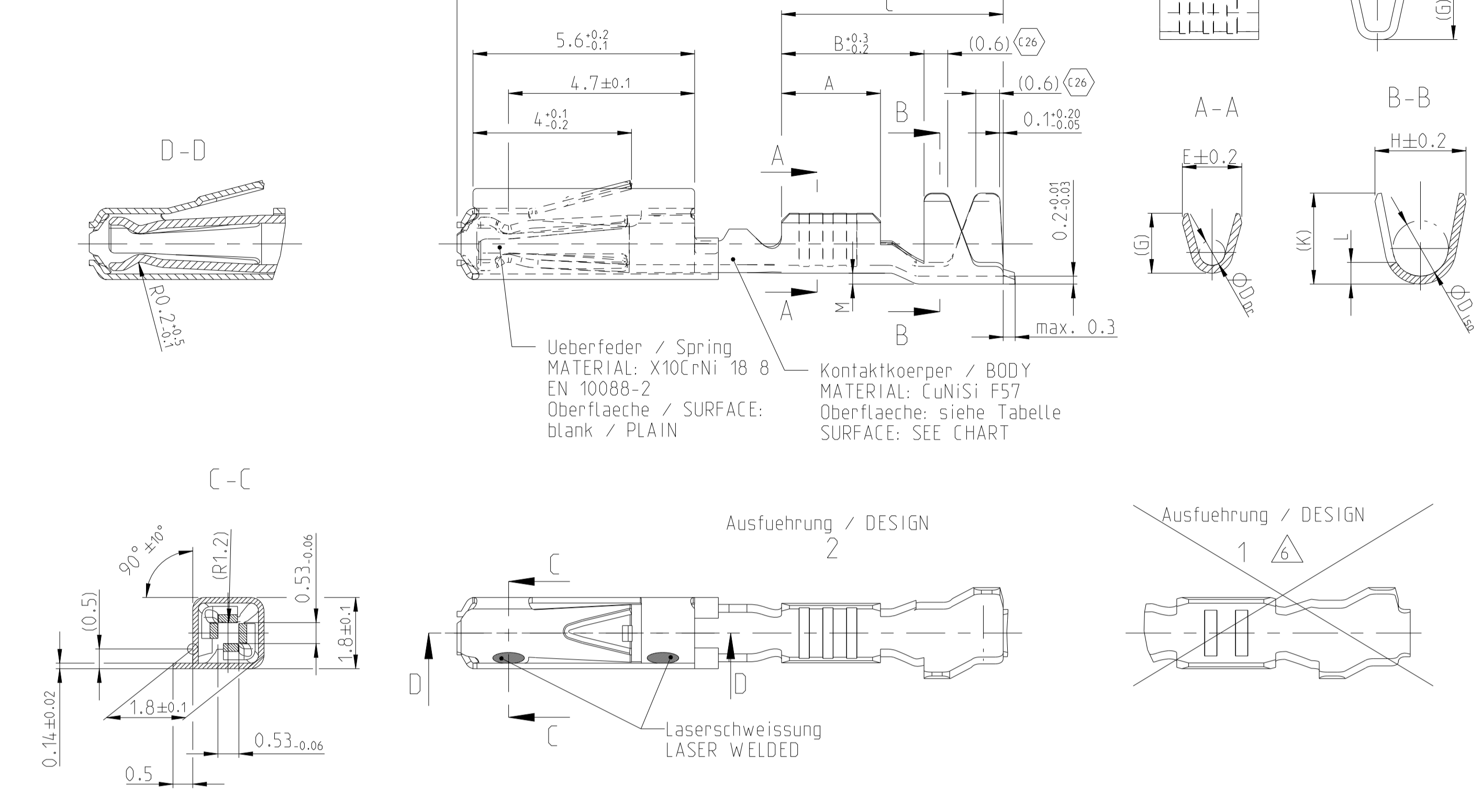
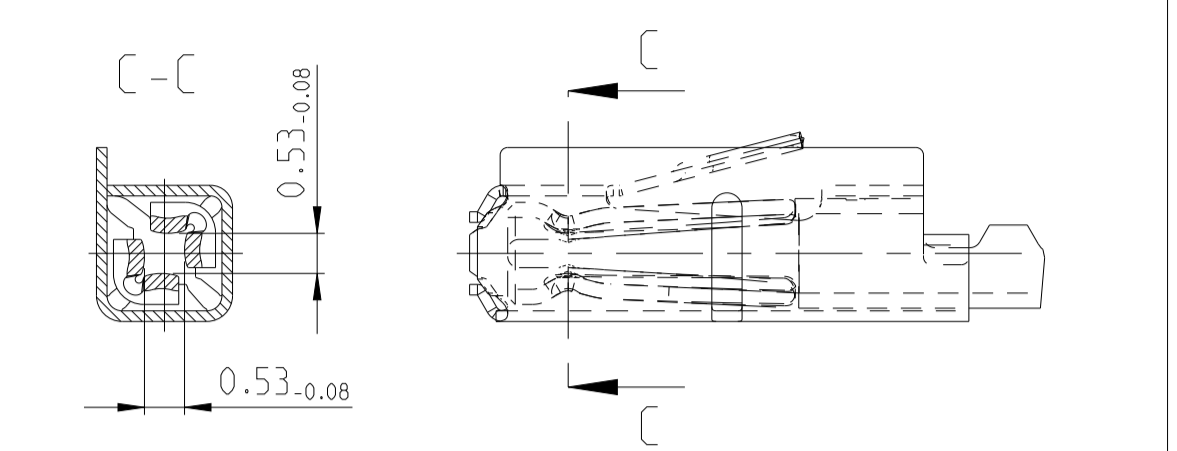


Normale Anwendung
USUAL APPLICATION

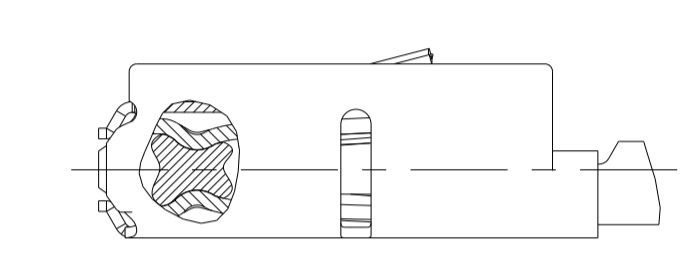


REVISONS		DATE	DMN	APVD
C23	Definition of measurement point f. contact height	30APR2019	FRAN	BERG
C24	See PCN E-19-011079	09DEC2019	MAH.	BERG
C25	See PCN E-20-001102	28AUG2020	MAH.	BERG
C26	See PCN E-20-016678 and PCN-21-110979	20AUG2021	FRAN	BERG

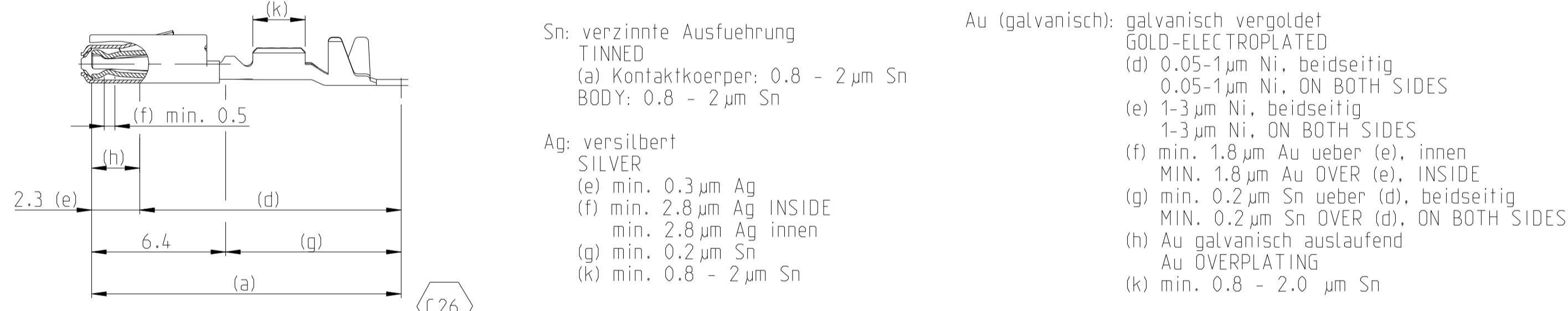
versilberte/vergoldete Ausfuehrung
SILVER/GOLD VERSION



GEL VERSION

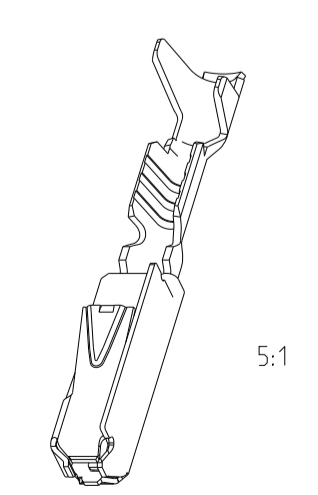
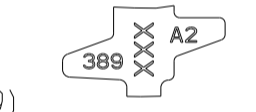


Oberflaeche / FINISH



Part No.	Material	Finish	Dimensions	Weight	Application
6-965906-5	Au-Gel	Ag	A = 2.8, B = 4.2, C = 6.2, D = 14.3, M = 0.7	E = 2, G = 2.1, DDr = 1	H = 3.5, K = 3.4, L = 1.5, D150 = 2.4
5-965906-6	Ag	Au	A = 2.5, B = 3.9, C = 5.9, D = 14, M = 0.7	E = 1.8, G = 1.8, DDr = 0.8	H = 3.5, K = 3.4, L = 1.5, D150 = 2.4
5-965906-5	Au	Sn	A = 2.5, B = 4.3, C = 6.2, D = 14.2, M = 0.6 (C26)	E = 1.5, G = 1.4	H = 4, K = 3.9, N = 3.1, D150 = 2.6
5-965906-1	Sn				
5-962885-6	Ag	Au	A = 2.5, B = 3.6, C = 5.6, D = 13.7, M = 0.2	E = 2, G = 2.1, DDr = 1	H = 2.7, K = 2.9, L = 0.7, D150 = 1.6
5-962885-5	Au	Sn	A = 2.5, B = 3.6, C = 5.6, D = 13.7, M = 0.2	E = 1.8, G = 1.8, DDr = 0.8	H = 2.3, K = 2.3, L = 0.6, D150 = 1.4
5-962885-1	Sn				
2141826-6	Ag				
2141826-5	Au				
2141826-1	Sn				
6-963715-5	Au-Gel	Ag	A = 2.5, B = 3.6, C = 5.6, D = 13.7, M = 0.2	E = 1.5, G = 1.4	H = 2, K = 1.9, D150 = 1.1
5-963715-6	Ag	Au	A = 2.5, B = 3.6, C = 5.6, D = 13.7, M = 0.2	E = 1.5, G = 1.5, DDr = 0.65	H = 2, K = 2, D150 = 1.1
5-963715-5	Au	Sn			
5-963715-1	Sn				
6-928999-5	Au-Gel	Ag	A = 2.5, B = 3.6, C = 5.6, D = 13.7, M = 0.2	E = 1.5, G = 1.5, DDr = 0.65	H = 2, K = 2, D150 = 1.1
5-928999-6	Ag	Au			
5-928999-5	Au	Sn			
5-928999-1	Sn				
2141824-6	Ag				
2141824-5	Au				
2141824-1	Sn				
1355717-6	Ag				
1355717-5	Au				
1355717-1	Sn				

- Bemerkungen
- Datumscode (Woche/Jahr z.B. KW 38/Jahr2009) und TE-Revision (z.B. Rev.A) DATE CODE (WEEK/YEAR E.G. WEEK NUMBER 38/YEAR2009) AND TE REVISION (E.G. REV. A)
 - Passend zu Stiftkontakt siehe Zeichnung 929453 SUITABLE FOR PIN CONTACT SEE DRAWING 929453
 - Einzelheiten der Ausfuehrung bleiben dem Hersteller ueberlassen DETAILS OF DESIGN ARE LEFT TO MANUFACTURER
 - Nur fuer FLR-Leitung nach DIN 72551 Teil 6 FOR FLR-CONDUCTOR ACCORDING TO DIN 72551-6 ONLY
 -
 - nicht fuer Neuanwendung NOT FOR NEW APPLICATION
 - zugverstaerkte Leitung nach LV 112-4 REINFORCED WIRE ACCORDING LV 112-4
 - Bei doppelt fallenden Werkzeugen wird die erste Ueberfeder mit einer Kennzeichnung "-" versehen WITH DOUBLE OUT DIES THE FIRST SPRING WILL BE PROVIDED WITH AN INDICATION "-"
 - Varianten von Design1 werden durch die entsprechenden Versionen von Design2 ersetzt VARIANTS OF DESIGN1 ARE SUPERSEDED BY CORRESPONDING VERSIONS OF DESIGN2



Bestell-Nr. Ausfuehrung ORDER NO. DESIGN	Bestell-Nr. Ausfuehrung ORDER NO. DESIGN	Rev.	Bestell-Nr. Ausfuehrung ORDER NO. DESIGN	Rev.	VERSION	DGB Wire Size Range mm ²	Oberflaeche SURFACE	Laenge LENGTH mm	Drahtcrimp WIRE CRIMP mm	Iso-crimp INSU-CRIMP mm	Gewicht WEIGHT g	Verarbeitung Spez. APPLICATION SPEC.	DGB Wire Size Range mm ²	Isolations Ø INSULATIN DIA. mm	fuer Kammer Ø3.45 FOR CAVITY DIA. 3.45 mm	Blindstopfen RUBBER PLUG	fuer Kammer Ø4 FOR CAVITY DIA. 4 mm	Blindstopfen RUBBER PLUG	zugehoerige Einzeldichtung / SUITABLE SINGLE WIRE SEAL
2	3		1																

THIS DRAWING IS A CONTROLLED DOCUMENT.

DMN: S. Garcia 05JAN1999	CHK: R. Jetter 05JAN1999	APVD: M. Bleicher 13AUG2003	NAME: MQS
DIMENSIONS: mm		TOLERANCES UNLESS OTHERWISE SPECIFIED: ±0.2	
MATERIAL: -		FINISH: -	
CUSTOMER DRAWING		SCALE: 10:1	SHEET 1 OF 1

TE Connectivity

108-18030 APPLICATION SPEC

114-18021 / 114-18025

00779 ©=929454

REV C26

X-ON Electronics

Largest Supplier of Electrical and Electronic Components

Click to view similar products for [Automotive Connectors](#) category:

Click to view products by [TE Connectivity](#) manufacturer:

Other Similar products are found below :

[003-018-000](#) [60403001](#) [60993906-B](#) [M902-2131](#) [M902-2161](#) [M902-2344](#) [72.330.1035.1](#) [73.353.4028.0](#) [F119300-B](#) [F166900](#) [F258300-B](#)
[F358300-B](#) [F407400](#) [F444110](#) [F487000](#) [F509500B-B](#) [827153-1](#) [8N1515-32-24P](#) [9-1326729-8](#) [925474-1](#) [928905-1](#) [964562-4](#) [968782-1](#)
[GT17SA-8DS-HU](#) [98891-1012](#) [98947-1016](#) [12004147](#) [12004475-L](#) [12010290](#) [12010309-B](#) [12015454](#) [12020219-B](#) [12041318-B](#) [12052225-](#)
[L](#) [12052466](#) [12064869](#) [12004327-B](#) [12015308](#) [12015384](#) [12015909](#) [1-21030-1](#) [12041254](#) [12041318](#) [12047946-B](#) [12047957](#) [12047957-L](#)
[12059473](#) [12066261](#) [12110546](#) [12110546-B](#)