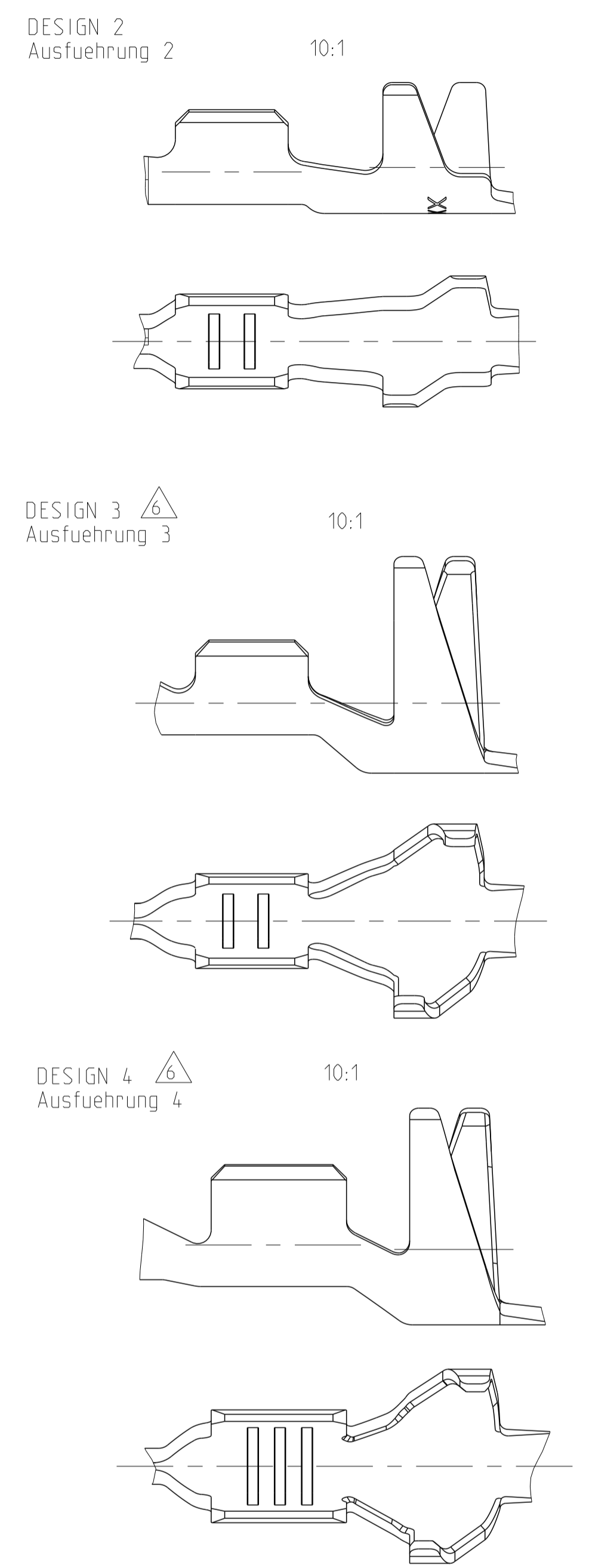


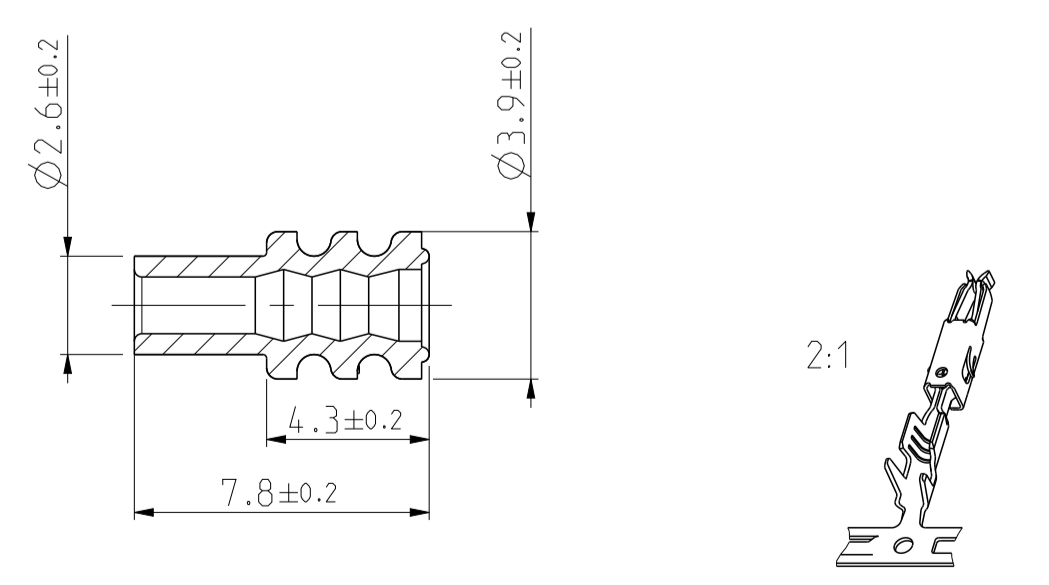
REVISIONS				
P.	LTN	DESCRIPTION	DATE	APPV
A6		SET PN'S TO OBSOLETE	17MAR2014	Ho. Eder
A7		NEW CREO DRAWING	25JUL2014	Ho. Eder
A8		CORRECTED VIEW. ADDED NECK DIMENSION	03APR2018	JP JC
B		CORRECTED VIEWS ACC. PART CHANGES	09OCT2019	JB.J JC



SINGLE WIRE SEAL/ Einzelichtungssystem	REV.	DESIGN Ausführung	MATERIAL Oberflaeche	SURFACE Oberflaeche	WIRE RANGE Drahtgroessen Bereich [mm²]	INSULATION Isolations Ø [mm]	SEE APPLICATION - SPECIFICATION siehe Verarbeitungsspezifikation 114-18081			A	B	C
							E	G	D <sub>Dr</sub>			
4-1241732-1	B	4	CuNiSi	PLAIN Blank	0.5-1.0 FLR	1.4-2.0	E = 2.5 G = 2.7 D <sub>Dr</sub> = 1.2	H = 4.3 K = 4.8 D <sub>ISO</sub> = 2.7	3.0	4.4	6.4	
1241732-2	B	4	CuFe 2	PRETINNED vorverzinkt	0.5-1.0 FLR	1.4-2.0	E = 2.5 G = 2.7 D <sub>Dr</sub> = 1.2	H = 4.3 K = 4.8 D <sub>ISO</sub> = 2.7	3.0	4.4	6.4	
1241730-2	B	3	CuFe 2	PRETINNED vorverzinkt	0.2-0.5 FLR	1.15-1.6	E = 2.1 G = 2.1 D <sub>Dr</sub> = 0.8	H = 4.3 K = 4.8 D <sub>ISO</sub> = 2.6	2.5	4.4	6.4	
1241860-7	A	1	CuNi12Zn24	PLAIN Blank	0.5-1.0 FLR	1.4-2.1	E = 2.5 G = 2.7 D <sub>Dr</sub> = 1.2	H = 3.2 K = 3.4 D <sub>ISO</sub> = 1.8	3.0	4.4	6.4	
1241860-2	A	1	CuFe 2	PRETINNED vorverzinkt	0.5-1.0 FLR	1.4-2.1	E = 2.5 G = 2.7 D <sub>Dr</sub> = 1.2	H = 3.2 K = 3.4 D <sub>ISO</sub> = 1.8	3.0	4.6	7	
1241858-2	A	2	CuFe 2	PRETINNED vorverzinkt	0.2-0.5 FLR	1.15-1.6	E = 2.1 G = 2.1 D <sub>Dr</sub> = 0.8	H = 2.9 K = 2.9 D <sub>ISO</sub> = 1.4	2.5	4.4	6.4	
968052-1	B	1	CuFe 2	PRETINNED vorverzinkt	0.5-1.0 FLR	1.4-2.1	E = 2.5 G = 2.7 D <sub>Dr</sub> = 1.2	H = 3.2 K = 3.4 D <sub>ISO</sub> = 1.8	3.0	4.6	7	
969022-1	B	1	CuFe 2	PRETINNED vorverzinkt	0.5-1.0 FLR	1.4-2.1	E = 2.5 G = 2.7 D <sub>Dr</sub> = 1.2	H = 3.2 K = 3.4 D <sub>ISO</sub> = 1.8	3.0	4.6	7	
965914-2	B	2	CuFe 2	PRETINNED vorverzinkt	0.2-0.5 FLR	1.15-1.6	E = 2.1 G = 2.1 D <sub>Dr</sub> = 0.8	H = 2.9 K = 2.9 D <sub>ISO</sub> = 1.4	2.5	4.6	7	
965914-1	B	2	CuFe 2	PRETINNED vorverzinkt	0.2-0.5 FLR	1.15-1.6	E = 2.1 G = 2.1 D <sub>Dr</sub> = 0.8	H = 2.9 K = 2.9 D <sub>ISO</sub> = 1.4	2.5	4.6	7	
TE ORDER NO. STRIP FORM Bandwaere	REV.	DESIGN Ausführung	MATERIAL Oberflaeche	SURFACE Oberflaeche	WIRE RANGE Drahtgroessen Bereich [mm²]	INSULATION Isolations Ø [mm]	STRIP FROM WIRE CRIMP Drahtcrimp INSUL.-CRIMP Iso.-Crimp Bandwaere	CRIMP DIMENSION mm Crimpabmessungen mm	A	B	C	CRIMP DATA AND CRIMP TOOL Crimpdaten u. Crimpwerkzeuge

- 1 BODY ELECTRO TIN PLATED OVER NICKEL 0.2 µm min. Kontaktkoerper gal. verzinkt ueber Nickel 0.2 µm min. CONTACT AREA SELECTIV GOLD OVER NICKEL 0.8 µm min. Kontaktzone selectiv vergoldet ueber Nickel 0.8 µm min. WIRE CRIMP AREA ELECTRO TIN PLATED 1 µm min. Drahtcrimpbereich galv. verzinkt 1 µm min.
- 2 ACCORDING INSULATION DIA IS TO CHOOSE THE SINGLE WIRE SEAL Entsprechend dem Isolationsdurchmesser ist die Einzel-Dichtung auszuwaehlen
- 3 VARIANTS WITH GAP-SIZE 0.2mm Varianten mit Gap-Size 0.2mm
- 4 VARIANTS WITH GAP-SIZE 0.35mm Varianten mit Gap-Size 0.35mm
- 5 BODY ELECTRO TIN PLATED OVER NICKEL 0.2µm min. Kontaktkoerper gal. verzinkt ueber Nickel 0.2µm min. CONTACT AREA SELECTIV GOLD OVER NICKEL 0.8 µm min. Kontaktzone selectiv vergoldet ueber Nickel 0.8µm min. WIRE CRIMP AREA ELECTRO TIN PLATED 1µm min. Drahtcrimpbereich gal. verzinkt
- 6 ADDITIONAL INFORMATION FOR SINGLE WIRE SEAL VERISONS Zusätzliche Information fuer einzelgedichtete Varianten

SINGLE WIRE SEAL Einzel-Dichtung		
964972-1	1.9-2.1	YELLOW gelb
963530-1	1.4-1.9	GREY grau
964971-1	1.2-1.6	RED rot
ORDER No. Bestell-Nr.	INSULATION Ø Isolations Ø	COLOUR Farbe



THIS DRAWING IS A CONTROLLED DOCUMENT.

DIMENSIONS: mm	TOLERANCES UNLESS OTHERWISE SPECIFIED: ±0.2	OWN G. Abraham 12NOV2001	APV M. Bleicher 16NOV2001
MATERIAL: -	FINISH: -	NAME: PRODUCT GROUP DRAWING FOR MICRO TIMER 3 CONTACT	TE Connectivity
Customer Drawing	SCALE: 5:1	SIZE: A1 00779	SHEET 1 OF 1

## X-ON Electronics

Largest Supplier of Electrical and Electronic Components

*Click to view similar products for [Automotive Connectors](#) category:*

*Click to view products by [TE Connectivity](#) manufacturer:*

Other Similar products are found below :

[003-018-000](#) [60403001](#) [60993906-B](#) [M902-2131](#) [M902-2161](#) [M902-2344](#) [72.330.1035.1](#) [73.353.4028.0](#) [F119300-B](#) [F166900](#) [F258300-B](#)  
[F358300-B](#) [F407400](#) [F444110](#) [F487000](#) [F509500B-B](#) [827153-1](#) [8N1515-32-24P](#) [9-1326729-8](#) [925474-1](#) [928905-1](#) [964562-4](#) [968782-1](#)  
[GT17SA-8DS-HU](#) [98891-1012](#) [98947-1016](#) [12004147](#) [12004475-L](#) [12010290](#) [12010309-B](#) [12015454](#) [12020219-B](#) [12041318-B](#) [12052225-](#)  
[L](#) [12052466](#) [12064869](#) [12004327-B](#) [12015308](#) [12015384](#) [12015909](#) [1-21030-1](#) [12041254](#) [12041318](#) [12047946-B](#) [12047957](#) [12047957-L](#)  
[12059473](#) [12066261](#) [12110546](#) [12110546-B](#)