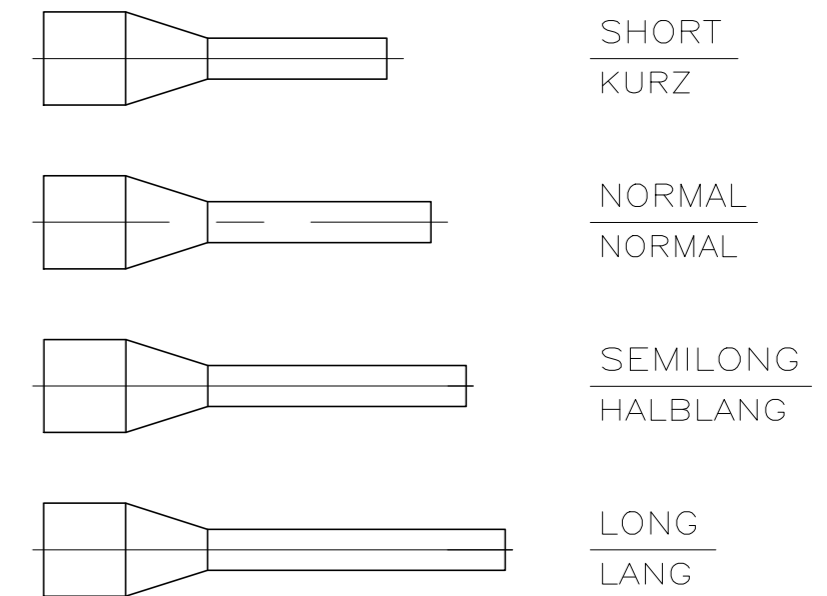
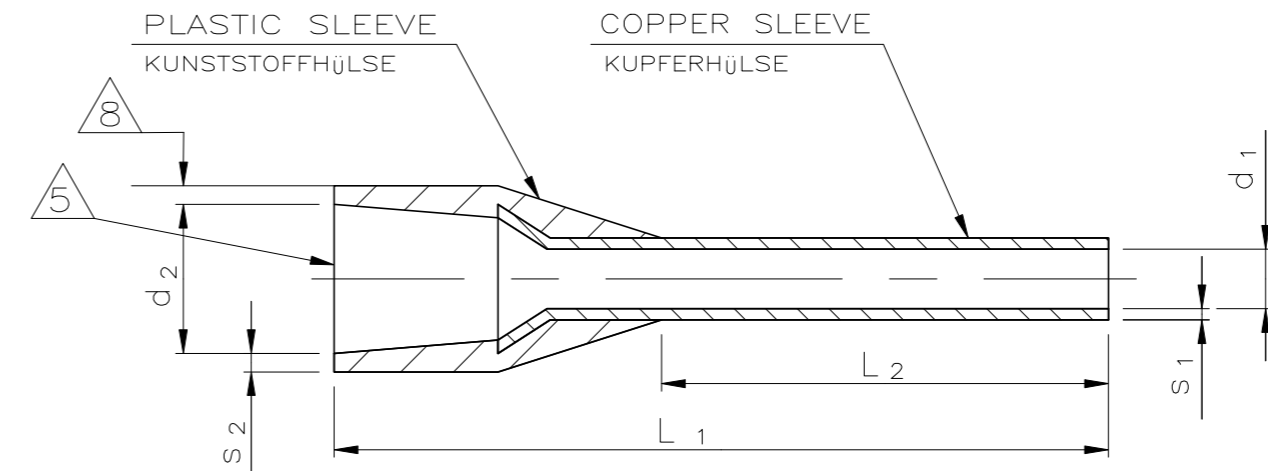


THIS DRAWING IS UNPUBLISHED.  
VERTRAULICHE UNVERÖFFENTLICHTE ZEICHNUNG  
© COPYRIGHT - By -  
RELEASED FOR PUBLICATION  
FREI FÜR VERÖFFENTLICHUNG  
ALL RIGHTS RESERVED.  
ALLE RECHTE VORBEHALTEN

PROJECT NO.:  
E92-52625

| REVISIONS<br>ÄNDERUNGEN |     |                                     |           |     |      |
|-------------------------|-----|-------------------------------------|-----------|-----|------|
| P                       | LTR | DESCRIPTION<br>BESCHREIBUNG         | DATE      | DWN | APVD |
|                         | C5  | ECR-10-026307                       | 20JAN11   | KK  | HMR  |
|                         | C6  | OBSOLETE PNs 2-966066-7, 3-966066-3 | 21FEB2018 | SH  | GN   |
|                         | C7  | ECO-19-003069                       | 01OCT2019 | RS  | DR   |

| ORDER NO.<br>BESTELL-NR. | CROSS-SECTION<br>QUERSCHNITT |     | STRIP LENGTH<br>ABISOLIER-LÄNGE | TYPE<br>AUSFÜHRUNG | COLOUR<br>FARBE | L <sub>1</sub><br>/mm | L <sub>2</sub><br>/mm | d <sub>1</sub><br>/mm | s <sub>1</sub><br>/mm | d <sub>2</sub><br>/mm | s <sub>2</sub><br>/mm | PACKING UNIT<br>VERPACKUNGS-EINHEIT |
|--------------------------|------------------------------|-----|---------------------------------|--------------------|-----------------|-----------------------|-----------------------|-----------------------|-----------------------|-----------------------|-----------------------|-------------------------------------|
|                          | mm <sup>2</sup>              | AWG |                                 |                    |                 |                       |                       |                       |                       |                       |                       |                                     |
| 966 066-1                | 0.25                         | 23  | 8                               | NORMAL             | LIGHT BLUE      | 10.0 ±1.5             | 6.0 ±0.4              | 0.75 <sup>+0.14</sup> | 0.15 ±0.05            | 1.8 ±0.2              | 0.25 ±0.1             | 500                                 |
| 966 066-2                | 0.25                         | 23  | 10                              | LONG               | LIGHT BLUE      | 12.0 ±1.5             | 8.0 ±0.4              | 0.75 <sup>+0.14</sup> | 0.15 ±0.05            | 1.8 ±0.2              | 0.25 ±0.1             | 500                                 |
| 966 066-3                | 0.34                         | 22  | 8                               | NORMAL             | TURQUOISE       | 10.0 ±1.5             | 6.0 ±0.4              | 0.8 <sup>+0.14</sup>  | 0.15 ±0.05            | 2.0 ±0.2              | 0.25 ±0.1             | 500                                 |
| 966 066-4                | 0.34                         | 22  | 10                              | LONG               | TURQUOISE       | 12.0 ±1.5             | 8.0 ±0.4              | 0.8 <sup>+0.14</sup>  | 0.15 ±0.05            | 2.0 ±0.2              | 0.25 ±0.1             | 500                                 |
| 966 066-5                | 0.14                         | 26  | 8                               | NORMAL             | GREY            | 10.0 ±1.5             | 6.0 ±0.4              | 0.7 <sup>+0.14</sup>  | 0.15 ±0.05            | 1.6 ±0.2              | 0.25 ±0.1             | 500                                 |
| 966 066-7                | 0.50                         | 20  | 10                              | NORMAL             | ORANGE          | 14.0 ±1.5             | 8.0 ±0.4              | 1.0 <sup>+0.14</sup>  | 0.15 ±0.05            | 2.6 ±0.2              | 0.25 ±0.1             | 500                                 |
| 1-966 066-1              | 1.50                         | 16  | 12                              | SEMILONG           | RED             | 16.0 ±1.5             | 10.0 ±0.4             | 1.7 <sup>+0.25</sup>  | 0.15 ±0.05            | 3.5 ±0.2              | 0.25 ±0.1             | 500                                 |
| 1-966 066-5              | 6.00                         | 10  | 14                              | NORMAL             | BLACK           | 20.0 ±1.5             | 12.0 ±0.6             | 3.5 <sup>+0.30</sup>  | 0.20 ±0.05            | 6.3 ±0.4              | 0.30 ±0.1             | 100                                 |
| 1-966 066-9              | 0.75                         | 18  | 8                               | SHORT              | WHITE           | 12.0 ±1.5             | 6.0 ±0.4              | 1.2 <sup>+0.14</sup>  | 0.15 ±0.05            | 2.8 ±0.2              | 0.25 ±0.1             | 500                                 |
| 2-966 066-0              | 0.75                         | 18  | 12                              | SEMILONG           | WHITE           | 16.0 ±1.5             | 10.0 ±0.4             | 1.2 <sup>+0.14</sup>  | 0.15 ±0.05            | 2.8 ±0.2              | 0.25 ±0.1             | 500                                 |
| 2-966 066-5              | 1.50                         | 16  | 10                              | NORMAL             | RED             | 14.0 ±1.5             | 8.0 ±0.4              | 1.7 <sup>+0.25</sup>  | 0.15 ±0.05            | 3.5 ±0.2              | 0.25 ±0.1             | 500                                 |
| 3-966 066-0              | 4.00                         | 11  | 11                              | NORMAL             | GREY            | 17.0 ±1.5             | 10.0 ±0.4             | 2.8 <sup>+0.25</sup>  | 0.20 ±0.05            | 4.8 ±0.4              | 0.30 ±0.1             | 500                                 |



- 1 THE AWG CROSS-SECTION CAN DIFFER SLIGHTLY TO THE DIN-STANDARD CROSS-SECTION VALUES.
- 2 RECOMMENDED STRIP LENGTH
- 3 TUBULAR END-SLEEVES PACKED INTO PLASTIC BAG
- 4 COLOUR TYPE 2: COLOURS PER WEIDM ÜLLER STANDARD
- 5 MAX.INSULATION DIA. OF WIRE: d<sub>2</sub> MIN.-0.1
- 6. USE HAND TOOL 539660-1
- 7. NOTE DELETED.
- 8 LENGTH "L1" INCLUDES MOLDING FLASH PRESENT IN THIS ZONE

- 1 DER AWG-QUERSCHNITT KANN VON DEN DIN-NORM QUERSCHNITTSWERTEN GERINGFÜGIG ABWEICHEN.
- 2 EMPFOHLENE ABISOLIERLÄNGE
- 3 ADERENDHÜLSEN IN PLASTIKBEUTEL VERPACKT
- 4 FARBREIHE 2: FARBEN NACH WEIDM ÜLLER STANDARD
- 5 MAX.ISOLATIONS-Ø DER LEITUNG:d<sub>2</sub> MIN.-0.1
- 6. BENUTZEN SIE HANDWERKZEUG 539660-1

|                                                                                            |                                                                                      |                                             |                                                                       |                               |                        |
|--------------------------------------------------------------------------------------------|--------------------------------------------------------------------------------------|---------------------------------------------|-----------------------------------------------------------------------|-------------------------------|------------------------|
| THIS DRAWING IS A CONTROLLED DOCUMENT.<br>DIESE ZEICHNUNG IST EIN KONTROLLIERTES DOKUMENT. |                                                                                      | DWN<br>R.SCHMIDT<br>04-DEC-92               |                                                                       |                               |                        |
| DIMENSIONS:<br>MASSE/WEITEN:<br>mm                                                         |                                                                                      | CHK<br>W.BÖCK<br>13-JAN-93                  |                                                                       |                               |                        |
|                                                                                            | TOLERANCES UNLESS OTHERWISE SPECIFIED:<br>ALLGEMEINTOLERANZEN                        | APVD<br>G.FELDMEIER<br>29-NOV-00            | NAME                                                                  |                               |                        |
|                                                                                            | 0 PLC ± -<br>1 PLC ± -<br>2 PLC ± -<br>3 PLC ± -<br>4 PLC ± -<br>ANGLES / WINKEL ± - | PRODUCT SPEC<br>PRODUKTSPEZ.<br>-           | TUBULAR END-SLEEVE WITH PLASTIC SLEEVE,<br>COLOUR TYPE 2, NOT PER DIN |                               |                        |
| MATERIAL<br>PP/E-Cu                                                                        | FINISH / OBERFL.: S <sub>n</sub><br>COLOUR: SEE TABLE<br>FARBE: SIEHE TABELLE        | APPLICATION SPEC<br>VERARBEITUNGSSPEZ.<br>- | ADDERENDHÜLSE MIT KUNSTSTOFFHÜLSE FARBREIHE 2, NICHT NACH DIN         | SIZE<br>A2                    | CAGE CODE<br>00779     |
| CUSTOMER DRAWING / KUNDENZEICHNUNG                                                         |                                                                                      | WEIGHT<br>GEWICHT<br>-                      | DRAWING NO<br>ZEICHNUNGS-NR.<br>G=966066                              | RESTRICTED TO<br>NUR FÜR<br>- | SCALE<br>MASSSTAB<br>- |
|                                                                                            |                                                                                      |                                             | SHEET<br>BLATT<br>1 OF 1                                              | REV<br>C7                     |                        |

## X-ON Electronics

Largest Supplier of Electrical and Electronic Components

*Click to view similar products for [Terminals](#) category:*

*Click to view products by [TE Connectivity](#) manufacturer:*

Other Similar products are found below :

[00-054007-01074-6](#) [00-054007-70206-1](#) [00-054007-70210-8](#) [00-054007-70217-7](#) [00-054007-70226-9](#) [00-054007-70228-3](#) [00-054007-70248-1](#) [00-054007-70256-6](#) [00-054007-70301-3](#) [00-054007-70316-7](#) [0-0320562-0](#) [00-054007-49560-4](#) [00-054007-70209-2](#) [00-054007-70225-2](#) [00-054007-70227-6](#) [00-054007-70231-3](#) [00-054007-70241-2](#) [00-054007-70242-9](#) [00-054007-70244-3](#) [00-054007-70246-7](#) [00-054007-70263-4](#) [00-054007-70288-7](#) [00-054007-70290-0](#) [00-054007-70300-6](#) [00-054007-70304-4](#) [01-2065-1-0216](#) [01-2900-1-04412](#) [00581P0075](#) [600TS-10](#) [60205-1](#) [604200-1](#) [605601-1](#) [60598-1-CUT-TAPE](#) [61314-6-C](#) [61810-3](#) [61-S](#) [61-SN](#) [626-0194](#) [62-NBM-A](#) [62-SN](#) [62-SP](#) [63-S](#) [640179-1](#) [M55155/059I03](#) [M55155/079C01](#) [M55155/099H02](#) [M55155/109H01](#) [M55155/109H02](#) [M55155/12XH05](#) [M55155/16XH02](#)