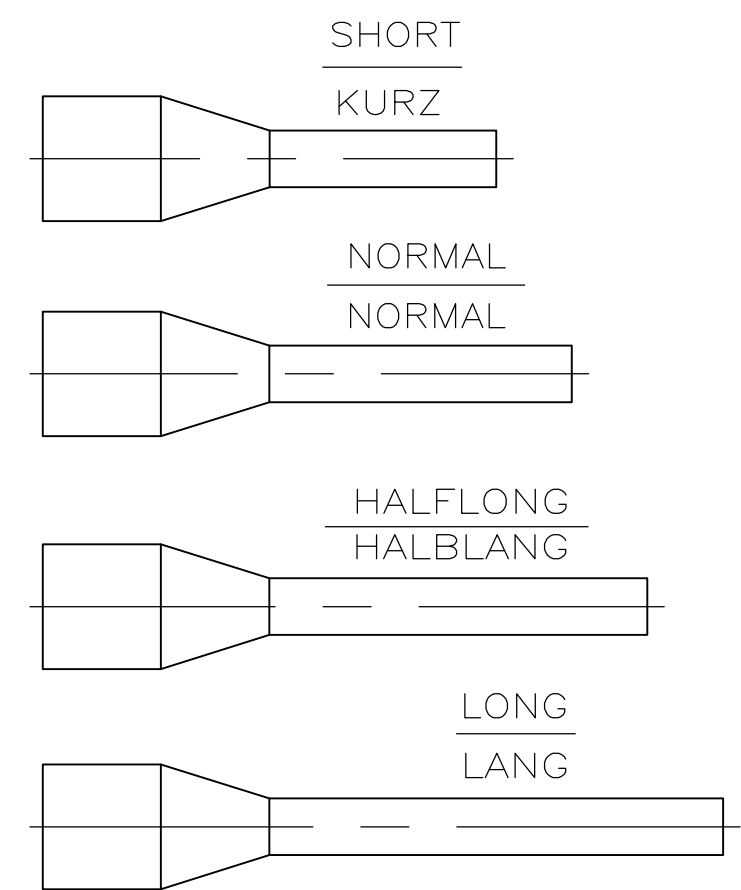
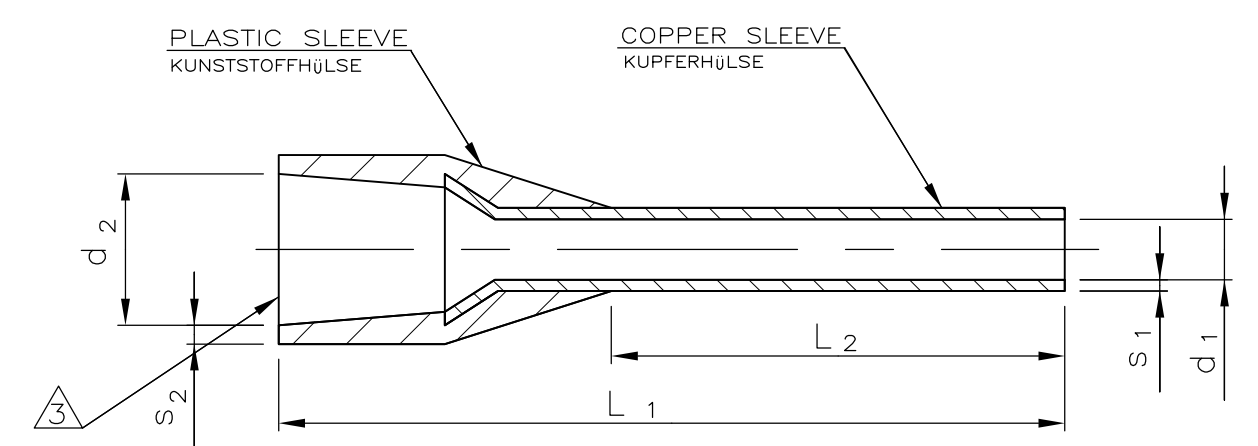


THIS DRAWING IS UNPUBLISHED.
 VERTRAULICHE UNVERÖFFENTLICHTE ZEICHNUNG
 © COPYRIGHT - By -
 RELEASED FOR PUBLICATION
 FREI FUER VERÖFFENTLICHUNG
 ALL RIGHTS RESERVED.
 ALLE RECHTE VORBEHALTEN

| LOC | DIST | REVISIONS ÄNDERUNGEN | | | | |
|-----|------|-------------------------|----------------------------|-----------|-----|------|
| AI | - | P | LTR | DATE | DWN | APVD |
| | | B5 | PART NUMBER STATUS UPDATED | 17FEB2014 | KJK | JK |

| ORDER NO. BESTELL-NR. | CROSS SECTION QUERSCHNITT | | STRIP LENGTH ABISOLIER-LÄNGE | TYPE AUSFÜHRUNG | COLOUR FARBE | L ₁ /mm | L ₂ /mm | d ₁ /mm | s ₁ /mm | d ₂ /mm | s ₂ /mm | PACKING UNIT VERPACKUNGS-EINHEIT PARTS/STÜCK BAG/BEUTEL |
|--------------------------|------------------------------|-----|---------------------------------|---------------------|-----------------|-----------------------|-----------------------|-----------------------|-----------------------|-----------------------|-----------------------|--|
| | mm ² | AWG | | | | | | | | | | |
| 966 067-1 | 0.50 | 20 | 8 | SHORT KURZ | WHITE WEIß | 12.0 ±1.5 | 6.0 ±0.4 | 1.0 +0.14 | 0.15 ±0.05 | 2.6 ±0.2 | 0.25 ±0.10 | 500 |
| 966 067-2 | 0.50 | 20 | 10 | NORMAL NORMAL | WHITE WEIß | 14.0 ±1.5 | 8.0 ±0.4 | 1.0 +0.14 | 0.15 ±0.05 | 2.6 ±0.2 | 0.25 ±0.10 | 500 |
| 966 067-3 | 0.50 | 20 | 12 | HALFLONG HALBLANG | WHITE WEIß | 16.0 ±1.5 | 10.0 ±0.4 | 1.0 +0.14 | 0.15 ±0.05 | 2.6 ±0.2 | 0.25 ±0.10 | 500 |
| 966 067-4 | 0.75 | 18 | 8 | SHORT KURZ | GREY GRAU | 12.0 ±1.5 | 6.0 ±0.4 | 1.2 +0.14 | 0.15 ±0.05 | 2.8 ±0.2 | 0.25 ±0.10 | 500 |
| 966 067-5 | 0.75 | 18 | 10 | NORMAL NORMAL | GREY GRAU | 14.0 ±1.5 | 8.0 ±0.4 | 1.2 +0.14 | 0.15 ±0.05 | 2.8 ±0.2 | 0.25 ±0.10 | 500 |
| 966 067-6 | 0.75 | 18 | 12 | HALFLONG HALBLANG | GREY GRAU | 16.0 ±1.5 | 10.0 ±0.4 | 1.2 +0.14 | 0.15 ±0.05 | 2.8 ±0.2 | 0.25 ±0.10 | 500 |
| 966 067-7 | 0.75 | 18 | 14 | LONG LANG | GREY GRAU | 18.0 ±1.5 | 12.0 ±0.6 | 1.2 +0.14 | 0.15 ±0.05 | 2.8 ±0.2 | 0.25 ±0.10 | 500 |
| 966 067-8 | 1.00 | 17 | 8 | SHORT KURZ | RED ROT | 12.0 ±1.5 | 6.0 ±0.4 | 1.4 +0.14 | 0.15 ±0.05 | 3.0 ±0.2 | 0.25 ±0.10 | 500 |
| 966 067-9 | 1.00 | 17 | 10 | NORMAL NORMAL | RED ROT | 14.0 ±1.5 | 8.0 ±0.4 | 1.4 +0.14 | 0.15 ±0.05 | 3.0 ±0.2 | 0.25 ±0.10 | 500 |
| 1-966 067-0 | 1.00 | 17 | 12 | HALFLONG HALBLANG | RED ROT | 16.0 ±1.5 | 10.0 ±0.4 | 1.4 +0.14 | 0.15 ±0.05 | 3.0 ±0.2 | 0.25 ±0.10 | 500 |
| 1-966 067-1 | 1.00 | 17 | 14 | LONG LANG | RED ROT | 18.0 ±1.5 | 12.0 ±0.6 | 1.4 +0.14 | 0.15 ±0.05 | 3.0 ±0.2 | 0.25 ±0.10 | 500 |
| 1-966 067-2 | 1.50 | 16 | 10 | NORMAL NORMAL | BLACK SCHWARZ | 14.0 ±1.5 | 8.0 ±0.4 | 1.7 +0.25 | 0.15 ±0.05 | 3.5 ±0.2 | 0.25 ±0.10 | 500 |
| 1-966 067-3 | 1.50 | 16 | 12 | HALFLONG HALBLANG | BLACK SCHWARZ | 16.0 ±1.5 | 10.0 ±0.4 | 1.7 +0.25 | 0.15 ±0.05 | 3.5 ±0.2 | 0.25 ±0.10 | 500 |
| 1-966 067-4 | 1.50 | 16 | 14 | HALFLONG+ HALBLANG+ | BLACK SCHWARZ | 18.0 ±1.5 | 12.0 ±0.6 | 1.7 +0.25 | 0.15 ±0.05 | 3.5 ±0.2 | 0.25 ±0.10 | 500 |
| OBSOLETE 1-966 067-5 | 1.50 | 16 | 20 | LONG LANG | BLACK SCHWARZ | 24.0 ±2.0 | 18.0 ±0.6 | 1.7 +0.25 | 0.15 ±0.05 | 3.5 ±0.2 | 0.25 ±0.10 | 500 |
| 1-966 067-6 | 2.50 | 14 | 10 | NORMAL NORMAL | BLUE BLAU | 14.0 ±1.5 | 8.0 ±0.4 | 2.2 +0.25 | 0.15 ±0.05 | 4.2 ±0.2 | 0.25 ±0.10 | 500 |
| 1-966 067-7 | 2.50 | 14 | 14 | HALFLONG HALBLANG | BLUE BLAU | 18.0 ±1.5 | 12.0 ±0.6 | 2.2 +0.25 | 0.15 ±0.05 | 4.2 ±0.2 | 0.25 ±0.10 | 500 |
| 1-966 067-8 | 2.50 | 14 | 20 | LONG LANG | BLUE BLAU | 24.0 ±2.0 | 18.0 ±0.6 | 2.2 +0.25 | 0.15 ±0.05 | 4.2 ±0.2 | 0.25 ±0.10 | 500 |
| 1-966 067-9 | 4.00 | 11 | 12 | NORMAL NORMAL | GREY GRAU | 17.0 ±1.5 | 10.0 ±0.4 | 2.8 +0.25 | 0.20 ±0.05 | 4.8 ±0.4 | 0.30 ±0.10 | 500 |
| 2-966 067-0 | 4.00 | 11 | 14 | HALFLONG HALBLANG | GREY GRAU | 20.0 ±1.5 | 12.0 ±0.6 | 2.8 +0.25 | 0.20 ±0.05 | 4.8 ±0.4 | 0.30 ±0.10 | 500 |
| 2-966 067-1 | 4.00 | 11 | 20 | LONG LANG | GREY GRAU | 26.0 ±2.0 | 18.0 ±0.6 | 2.8 +0.25 | 0.20 ±0.05 | 4.8 ±0.4 | 0.30 ±0.10 | 100 |
| 2-966 067-2 | 6.00 | 10 | 14 | NORMAL NORMAL | YELLOW GELB | 20.0 ±1.5 | 12.0 ±0.6 | 3.5 +0.30 | 0.20 ±0.05 | 6.3 ±0.4 | 0.30 ±0.10 | 100 |
| 2-966 067-3 | 6.00 | 10 | 20 | LONG LANG | YELLOW GELB | 26.0 ±2.0 | 18.0 ±0.6 | 3.5 +0.30 | 0.20 ±0.05 | 6.3 ±0.4 | 0.30 ±0.10 | 100 |
| 2-966 067-4 | 10.00 | 7 | 15 | NORMAL NORMAL | RED ROT | 22.0 ±2.0 | 12.0 ±0.6 | 4.5 +0.30 | 0.20 ±0.05 | 7.6 ±0.4 | 0.40 ±0.15 | 100 |
| 2-966 067-5 | 10.00 | 7 | 21 | LONG LANG | RED ROT | 28.0 ±2.0 | 18.0 ±0.6 | 4.5 +0.30 | 0.20 ±0.05 | 7.6 ±0.4 | 0.40 ±0.15 | 100 |
| 2-966 067-6 | 16.00 | 5 | 15 | NORMAL NORMAL | BLUE BLAU | 24.0 ±2.0 | 12.0 ±0.6 | 5.8 +0.30 | 0.20 ±0.05 | 8.8 ±0.4 | 0.40 ±0.15 | 100 |
| 2-966 067-7 | 16.00 | 5 | 21 | LONG LANG | BLUE BLAU | 28.0 ±2.0 | 18.0 ±0.6 | 5.8 +0.30 | 0.20 ±0.05 | 8.8 ±0.4 | 0.40 ±0.15 | 100 |
| OBSOLETE 2-966 067-8 | 25.00 | 3 | 19 | NORMAL NORMAL | YELLOW GELB | 30.0 ±2.0 | 16.0 ±0.6 | 7.3 +0.40 | 0.20 ±0.05 | 11.2 ±0.5 | 0.40 ±0.15 | 50 |
| OBSOLETE 2-966 067-9 | 25.00 | 3 | 21 | HALFLONG HALBLANG | YELLOW GELB | 30.0 ±2.0 | 18.0 ±0.6 | 7.3 +0.40 | 0.20 ±0.05 | 11.2 ±0.5 | 0.40 ±0.15 | 50 |
| OBSOLETE 3-966 067-0 | 25.00 | 3 | 24 | LONG LANG | YELLOW GELB | 36.0 ±2.0 | 22.0 ±0.6 | 7.3 +0.40 | 0.20 ±0.05 | 11.2 ±0.5 | 0.40 ±0.15 | 50 |
| OBSOLETE 3-966 067-1 | 35.00 | 2 | 19 | NORMAL NORMAL | RED ROT | 30.0 ±2.0 | 16.0 ±0.6 | 8.3 +0.40 | 0.20 ±0.05 | 12.7 ±0.5 | 0.40 ±0.15 | 50 |
| OBSOLETE 3-966 067-2 | 35.00 | 2 | 21 | HALFLONG HALBLANG | RED ROT | 30.0 ±2.0 | 18.0 ±0.6 | 8.3 +0.40 | 0.20 ±0.05 | 12.7 ±0.5 | 0.40 ±0.15 | 50 |
| OBSOLETE 3-966 067-3 | 35.00 | 2 | 28 | LONG LANG | RED ROT | 39.0 ±2.0 | 25.0 ±0.6 | 8.3 +0.40 | 0.20 ±0.05 | 12.7 ±0.5 | 0.40 ±0.15 | 50 |
| OBSOLETE 3-966 067-4 | 50.00 | - | 25 | NORMAL NORMAL | BLUE BLAU | 36.0 ±2.0 | 20.0 ±0.6 | 10.3 +0.40 | 0.30 ±0.05 | 15.0 ±1.0 | 0.50 ±0.15 | 50 |
| OBSOLETE 3-966 067-5 | 50.00 | - | 30 | LONG LANG | BLUE BLAU | 40.0 ±2.0 | 25.0 ±0.6 | 10.3 +0.40 | 0.30 ±0.05 | 15.0 ±1.0 | 0.50 ±0.15 | 50 |



- 1 THE AWG CROSS-SECTION CAN SLIGHT DEVIATING OF THE DIN-STANDARD CROSS-SECTION VALUES
- 2 RECOMMENDED STRIP LENGTH
- 3 MAX. INSULATION-DIA. OF WIRE: d₂ MIN.- 0.1
- 4 TUBULAR END-SLEEVE WITH PLASTIC SLEEVE ACCORDING TO DIN 46228 PART 4
- 5. USE HAND TOOL 539660-1
- 6 OBSOLETE PARTS: OBSOLETE CIS STREAMLINING PER D.RENAUD/D.SINISI
- 1 DER AWG-QUERSCHNITT KANN VON DEN DIN-NORM QUERSCHNITTSWERTEN GERINGFÜGIG ABWEICHEN.
- 2 EMPFOHLENE ABISOLIERLÄNGE
- 3 MAX. ISOLATIONS-Ø DER LEITUNG: d₂ MIN.- 0.1
- 4 ADERENDHÜLSE MIT KUNSTSTOFFHÜLSE NACH DIN 46228 TEIL 4
- 5. BENUTZEN SIE HANDWERKZEUG 539660-1

| | | | | |
|---|--|---|--|-----------------------------|
| THIS DRAWING IS A CONTROLLED DOCUMENT. DIESE ZEICHNUNG IST EIN KONTROLLIERTES DOKUMENT. | | DWN R. Schmidt 14-NOV-96 | TE Connectivity | |
| DIMENSIONS: MASSENHEITEN mm | | CHK W. Böck 14-NOV-96 | | |
| TOLERANCES UNLESS OTHERWISE SPECIFIED: ALLGEMEINTOLERANZEN | | APVD G.FELDMAYER 12-SEP-00 | NAME TUBULAR END SLEEVE WITH PLASTIC SLEEVE ADERENDHÜLSE MIT KUNSTSTOFFHÜLSE | |
| MATERIAL PP/E-Cu | | FINISH / OBERFLÄCHE / FARBE Sn | SIZE A2 | CAGE CODE 00779 |
| TOLERANCES UNLESS OTHERWISE SPECIFIED: n. ISO 8015 n. ISO 2768 - mH - E n. DIN 16901 - 140 | | APPLICATION SPEC. VERARBEITUNGSSPEZ. WEIGHT GEWICHT - | DRAWING NO. ZEICHNUNGS-NR. C=966067 | RESTRICTED TO NUR FUER - |
| CUSTOMER DRAWING / KUNDENZEICHNUNG | | | SCALE MASSSTAB 1:1 | SHEET BLATT 1 OF VON 1 |

X-ON Electronics

Largest Supplier of Electrical and Electronic Components

Click to view similar products for [Terminals](#) category:

Click to view products by [TE Connectivity](#) manufacturer:

Other Similar products are found below :

[HT-13-10](#) [71M-250-32-NB](#) [01-2065-1-0216](#) [00581P0075](#) [M10-10RX](#) [M10BCK](#) [60205-1](#) [604200-1](#) [60598-1-CUT-TAPE](#) [60617-1-C](#) [60873-1](#) [M14-516R/SK](#) [M14-6RSX](#) [M18-10FLX](#) [M18-8FBX](#) [M18-8R/LX](#) [M18BCK](#) [61314-6-C](#) [61-S](#) [61-SN-A](#) [62-NBM-A](#) [63-S](#) [640179-1](#) [640917-2-CUT-TAPE](#) [6501550002](#) [66107-2-C](#) [696683-1](#) [696834-1](#) [696861-1](#) [696931-1](#) [696999-1](#) [M8-516RK](#) [M86700006](#) [MA250DMFMX-A](#) [701-2007](#) [701-2307](#) [701-7761-03](#) [70F-110-32-PB](#) [718-N-A](#) [71M-187-20-NBL](#) [71M-250-32-NBL](#) [72F-187-20-NBL](#) [72M-250-32-NBL](#) [7310](#) [73F-250-32](#) [73F-250-32-NBL](#) [73F-250-32-NL](#) [F14-10C](#) [F-1M](#) [751-250](#)