

THIS DRAWING IS A CONTROLLED DOCUMENT.		DIN 13NOV1996		R. SCHMIDT		CHK 13NOV1996		W. BOCK		APVD 13NOV1996		G. FELDMEIER		NAME	
TUBULAR END-SLEEVE WITH PLASTIC SLEEVE		ADRENDHÜLSE MIT KUNSTSTOFFHÜLSE		TUBULAR END-SLEEVE WITH PLASTIC SLEEVE		ADRENDHÜLSE MIT KUNSTSTOFFHÜLSE		RESTRICTED TO		REV		B6		SCALE 1:1	
SHEET 1 of 1		CUSTOMER DRAWING		DRAWING NO. 966067		CASE CODE 00779		SIZE A2		WEIGHT		FINISH		MATERIAL	

A

A

- 1 THE AWG CROSS-SECTION CAN SLIGHT DEVIATING OF THE DIN-STANDARD CROSS-SECTION VALUES
- 2 RECOMMENDED STRIP LENGTH
- 3 MAX. INSULATION-DIA. OF WIRE: ϕ MIN. - 0.1
- 4 TUBULAR END-SLEEVE WITH PLASTIC SLEEVE ACCORDING TO DIN 46228 PART 4
- 5 USE HAND TOOL 539660-1
- 6 NOTE DELETED.
- 7 LENGTH "L1" INCLUDES MOLDING FLASH PRESENT IN THIS ZONE.

B

B

966067

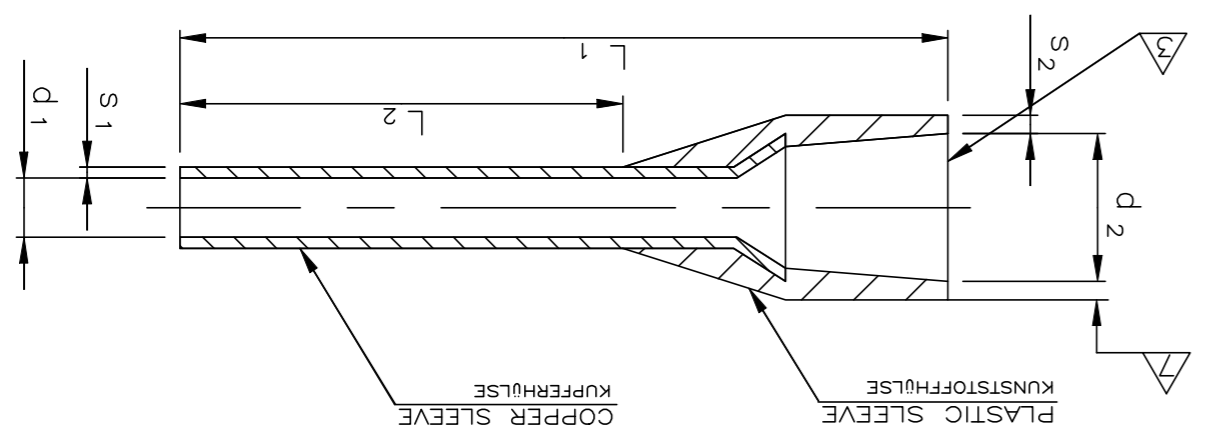
C

C

D

D

ORDER NO.	CROSS SECTION	STRIP LENGTH	ABISOLIER-LÄNGE	AUSFÄHRUNG	COLOUR	L1	L2	d1	s1	d2	s2	PACKING UNIT
966 067-1	0.50	20	8	SHORT	WHITE	12.0	6.0	1.0	1.0	2.6	0.2	500
966 067-2	0.50	20	10	NORMAL	WHITE	14.0	8.0	1.0	1.0	2.6	0.2	500
966 067-3	0.50	20	12	HALBLANG	WHITE	16.0	10.0	1.0	1.0	2.6	0.2	500
966 067-4	0.75	18	8	SHORT	WEISS	12.0	6.0	1.2	1.2	2.8	0.2	500
966 067-5	0.75	18	10	NORMAL	WEISS	14.0	8.0	1.2	1.2	2.8	0.2	500
966 067-6	0.75	18	12	HALBLANG	WEISS	16.0	10.0	1.2	1.2	2.8	0.2	500
966 067-7	1.00	14	8	SHORT	GRAU	12.0	6.0	1.4	1.4	3.0	0.2	500
966 067-8	1.00	14	10	NORMAL	GRAU	14.0	8.0	1.4	1.4	3.0	0.2	500
966 067-9	1.00	14	12	HALBLANG	GRAU	16.0	10.0	1.4	1.4	3.0	0.2	500
1-966 067-10	1.00	17	12	HALBLANG	ROT	16.0	10.0	1.4	1.4	3.0	0.2	500
1-966 067-11	1.00	17	14	LONG	ROT	18.0	12.0	1.4	1.4	3.0	0.2	500
1-966 067-12	1.50	16	10	NORMAL	SCHWARZ	14.0	8.0	1.7	1.7	3.5	0.2	500
1-966 067-13	1.50	16	12	HALBLANG	SCHWARZ	16.0	10.0	1.7	1.7	3.5	0.2	500
1-966 067-14	1.50	16	14	HALBLANG+	SCHWARZ	18.0	12.0	1.7	1.7	3.5	0.2	500
1-966 067-15	2.50	14	10	NORMAL	BLAU	14.0	8.0	2.2	2.2	4.2	0.2	500
1-966 067-16	2.50	14	12	HALBLANG	BLAU	16.0	10.0	2.2	2.2	4.2	0.2	500
1-966 067-17	2.50	14	14	HALBLANG	BLAU	18.0	12.0	2.2	2.2	4.2	0.2	500
1-966 067-18	2.50	14	20	LONG	BLAU	24.0	18.0	2.2	2.2	4.2	0.2	500
1-966 067-19	4.00	11	12	NORMAL	GRAU	17.0	10.0	2.8	2.8	4.8	0.4	500
1-966 067-20	4.00	11	14	HALBLANG	GRAU	20.0	12.0	2.8	2.8	4.8	0.4	500
2-966 067-1	4.00	11	20	LONG	GRAU	26.0	18.0	2.8	2.8	4.8	0.4	100
2-966 067-2	6.00	10	14	NORMAL	YELLOW	20.0	12.0	3.5	3.5	6.3	0.4	100
2-966 067-3	6.00	10	20	LONG	YELLOW	26.0	18.0	3.5	3.5	6.3	0.4	100
2-966 067-4	10.00	7	15	NORMAL	ROT	22.0	12.0	4.5	4.5	7.6	0.4	100
2-966 067-5	10.00	7	21	LONG	ROT	28.0	18.0	4.5	4.5	7.6	0.4	100
2-966 067-6	16.00	5	15	NORMAL	BLAU	24.0	12.0	5.8	5.8	8.8	0.4	100
2-966 067-7	16.00	5	21	LONG	BLAU	28.0	18.0	5.8	5.8	8.8	0.4	100



P	LTR	DESCRIPTION	DATE	DWN	APVD
	B5	PART NUMBER STATUS UPDATED	17FEB2014	KJK	JK
	B6	ECO-19-003069	01OCT2019	RS	DR

1

2

3

4

X-ON Electronics

Largest Supplier of Electrical and Electronic Components

Click to view similar products for [Terminals](#) category:

Click to view products by [TE Connectivity](#) manufacturer:

Other Similar products are found below :

[HT-13-10](#) [71M-250-32-NB](#) [01-2065-1-0216](#) [00581P0075](#) [M10-10RX](#) [M10BCK](#) [60205-1](#) [604200-1](#) [60598-1-CUT-TAPE](#) [60617-1-C](#) [60873-1](#) [M14-516R/SK](#) [M14-6RSX](#) [M18-10FLX](#) [M18-8FBX](#) [M18-8R/LX](#) [M18BCK](#) [61314-6-C](#) [61-S](#) [61-SN-A](#) [62-NBM-A](#) [63-S](#) [640179-1](#) [640917-2-CUT-TAPE](#) [6501550002](#) [66107-2-C](#) [696683-1](#) [696834-1](#) [696861-1](#) [696931-1](#) [696999-1](#) [M8-516RK](#) [M86700006](#) [MA250DMFMX-A](#) [701-2007](#) [701-2307](#) [701-7761-03](#) [70F-110-32-PB](#) [718-N-A](#) [71M-187-20-NBL](#) [71M-250-32-NBL](#) [72F-187-20-NBL](#) [72M-250-32-NBL](#) [7310](#) [73F-250-32](#) [73F-250-32-NBL](#) [73F-250-32-NL](#) [F14-10C](#) [F-1M](#) [751-250](#)