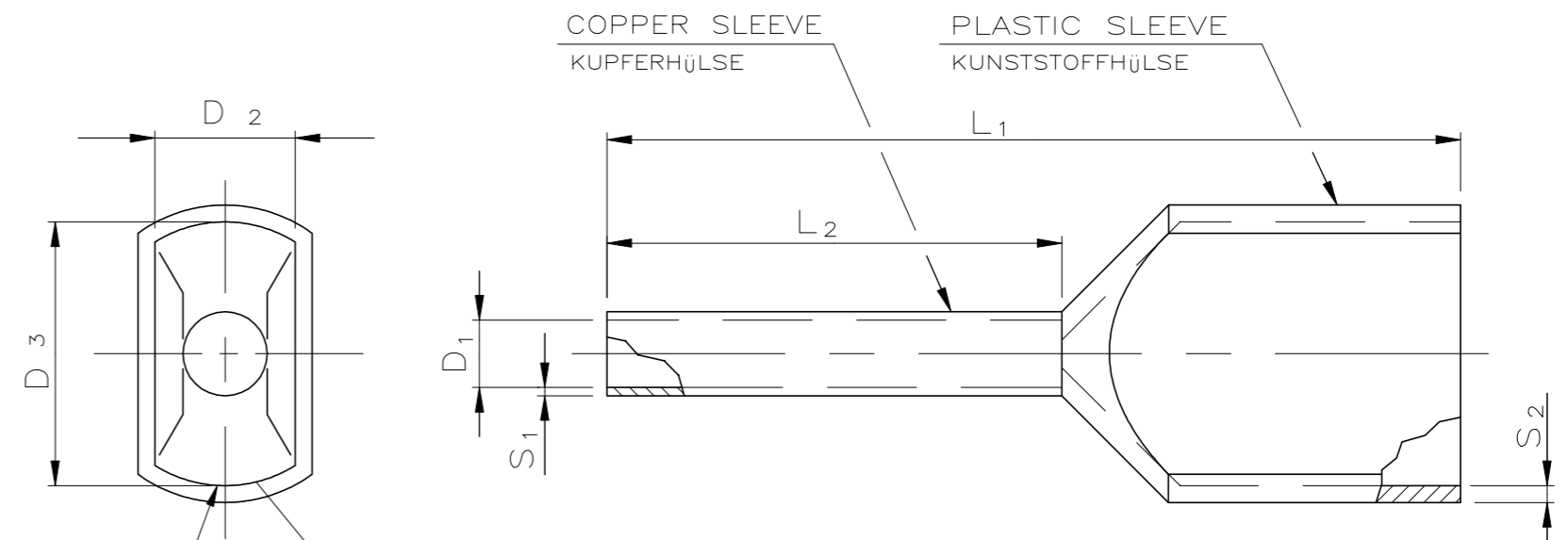
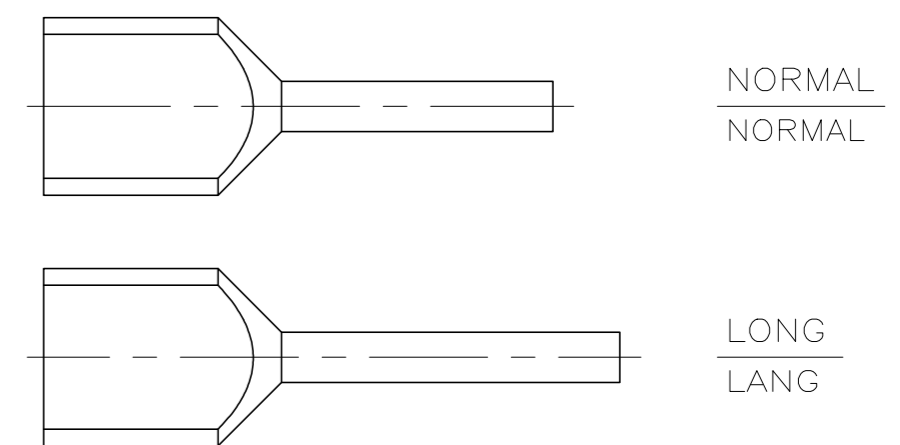


THIS DRAWING IS UNPUBLISHED.  
VERTRAULICHE UNVERÖFFENTLICHTE ZEICHNUNG  
© COPYRIGHT - By -  
RELEASED FOR PUBLICATION  
FREI FÜR VERÖFFENTLICHUNG  
ALL RIGHTS RESERVED.  
ALLE RECHTE VORBEHALTEN

| P             |  | LTR |                            | REVISIONS<br>ÄNDERUNGEN<br>DESCRIPTION<br>BESCHREIBUNG |  | DATE      | DWN | APVD |
|---------------|--|-----|----------------------------|--|--|-----------|-----|------|
| PROJECT NO. : |  | B6  | PART NUMBER STATUS UPDATED |  |  | 24FEB2014 | KJK | JK   |
| E93-52531     |  | B7  | OBSOLETE PN 966144-5       |  |  | 21FEB2018 | SH  | GN   |
|               |  | B8  | ECO-19-003069              |  |  | 01OCT2019 | RS  | DR   |



| ORDER NO.<br>BESTELL-NR. | CROSS-SECTION<br>QUERSCHNITT |      | STRIP LENGTH<br>ABISOLIERLÄNGE<br>/mm | TYPE<br>AUSFÜHRUNG | COLOUR<br>FARBE | L1<br>/mm | L2<br>/mm | D1<br>/mm  | S1<br>/mm  | S2<br>/mm  | D2<br>/mm | D3<br>/mm | COLOUR<br>TYPE<br>FARB-<br>REIHE | PACKING<br>UNIT<br>VERPACKUNGS-<br>EINHEIT<br>PIECES PER BAG<br>STÜCK PRO BEUTEL |
|--------------------------|------------------------------|------|---------------------------------------|--------------------|-----------------|-----------|-----------|------------|------------|------------|-----------|-----------|----------------------------------|--|
|                          | mm <sup>2</sup>              | AWG  |                                       |                    |                 |           |           |            |            |            |           |           |                                  |  |
| 966 144-1                | 2x0.50                       | 2x20 | 11                                    | NORMAL             | WHITE           | 15.0 ±1.5 | 8.00 ±0.6 | 1.40 +0.14 | 0.15 ±0.05 | 0.25 ±0.10 | 2.50 ±0.2 | 4.70 ±0.4 | 1/DIN                            | 500  |
| 966 144-2                | 2x0.75                       | 2x18 | 11                                    | NORMAL             | GREY            | 15.0 ±1.5 | 8.00 ±0.6 | 1.70 +0.25 | 0.15 ±0.05 | 0.25 ±0.10 | 2.80 ±0.2 | 5.00 ±0.4 | DIN                              | 500  |
| 966 144-3                | 2x0.75                       | 2x18 | 13                                    | LONG               | GREY            | 17.0 ±1.5 | 10.0 ±0.6 | 1.70 +0.25 | 0.15 ±0.05 | 0.25 ±0.10 | 2.80 ±0.2 | 5.00 ±0.4 | DIN                              | 500  |
| 966 144-4                | 2x1.00                       | 2x17 | 11                                    | NORMAL             | RED             | 15.0 ±1.5 | 8.00 ±0.6 | 1.95 +0.25 | 0.15 ±0.05 | 0.30 ±0.10 | 3.40 ±0.2 | 5.40 ±0.4 | 1/DIN                            | 500  |
| 966 144-6                | 2x1.50                       | 2x16 | 12                                    | NORMAL             | BLACK           | 16.0 ±1.5 | 8.00 ±0.6 | 2.20 +0.25 | 0.15 ±0.05 | 0.30 ±0.10 | 3.60 ±0.2 | 6.60 ±0.4 | 1/DIN                            | 500  |
| 966 144-7                | 2x1.50                       | 2x16 | 16                                    | LONG               | BLACK           | 20.0 ±1.5 | 12.0 ±0.6 | 2.20 +0.25 | 0.15 ±0.05 | 0.30 ±0.10 | 3.60 ±0.2 | 6.60 ±0.4 | 1/DIN                            | 500  |
| 966 144-8                | 2x2.50                       | 2x14 | 14                                    | NORMAL             | BLUE            | 18.5 ±1.5 | 10.0 ±0.6 | 2.80 +0.25 | 0.20 ±0.05 | 0.30 ±0.10 | 4.20 ±0.2 | 7.80 ±0.4 | 2/DIN                            | 250  |
| 966 144-9                | 2x2.50                       | 2x14 | 17                                    | LONG               | BLUE            | 21.5 ±2.0 | 13.0 ±0.6 | 2.80 +0.25 | 0.20 ±0.05 | 0.30 ±0.10 | 4.20 ±0.2 | 7.80 ±0.4 | 2/DIN                            | 250  |
| 1-966 144-0              | 2x4.00                       | 2x11 | 17                                    | NORMAL             | GREY            | 23.0 ±2.0 | 12.0 ±0.6 | 3.70 +0.30 | 0.20 ±0.05 | 0.40 ±0.15 | 4.90 ±0.4 | 8.80 ±0.4 | 2/DIN                            | 100  |
| 1-966 144-1              | 2x6.00                       | 2x10 | 19                                    | NORMAL             | YELLOW          | 26.0 ±2.0 | 14.0 ±0.6 | 4.80 +0.30 | 0.20 ±0.05 | 0.40 ±0.15 | 6.90 ±0.4 | 10.0 ±0.4 | DIN                              | 100  |
| 1-966 144-7              | 2x0.75                       | 2x18 | 13                                    | LONG               | BLUE            | 17.0 ±1.5 | 10.0 ±0.6 | 1.70 +0.25 | 0.15 ±0.05 | 0.25 ±0.10 | 2.80 ±0.2 | 5.00 ±0.4 | 1                                | 500  |
| 2-966 144-2              | 2x1.50                       | 2x16 | 16                                    | LONG               | RED             | 20.0 ±1.5 | 12.0 ±0.6 | 2.20 +0.25 | 0.15 ±0.05 | 0.30 ±0.10 | 3.60 ±0.2 | 6.60 ±0.4 | 2                                | 500  |
| 2-966 144-5              | 2x4.00                       | 2x11 | 17                                    | NORMAL             | ORANGE          | 23.0 ±2.0 | 12.0 ±0.6 | 3.70 +0.30 | 0.20 ±0.05 | 0.40 ±0.15 | 4.90 ±0.4 | 8.80 ±0.4 | 1                                | 100  |
| 2-966 144-6              | 2x6.00                       | 2x10 | 19                                    | NORMAL             | GREEN           | 26.0 ±2.0 | 14.0 ±0.6 | 4.80 +0.30 | 0.20 ±0.05 | 0.40 ±0.15 | 6.90 ±0.4 | 10.0 ±0.4 | 1                                | 100  |



- 1 THE AWG CROSS-SECTION CAN DIFFER SLIGHTLY TO THE DIN-STANDARD CROSS-SECTION VALUES.
- 2 RECOMMENDED STRIP LENGTH
- 3 TUBULAR END-SLEEVES PACKED INTO PLASTIC BAG
- 4 COLOUR TYPE 1: COLOURS PER TELEMECANIQUE STANDARD  
COLOUR TYPE 2: COLOURS PER WEIDMÜLLER STANDARD  
COLOUR TYPE DIN: COLOURS PER DIN 46228 PART 4
- 5 MAX.INSULATION DIA. OF WIRE: 0.5xD<sub>3</sub> MIN. -0.1
- 6. USE HAND TOOL 539660-1
- 7 LENGTH "L1" INCLUDES MOLDING FLASH PRESENT ON THIS SURFACE

- 1 DER AWG-QUERSCHNITT KANN VON DEN DIN-NORM QUERSCHNITTSWERTEN GERINGFÜGIG ABWEICHEN.
- 2 EMPFOHLENE ABISOLIERLÄNGE
- 3 ADERENDHÜLSEN IN PLASTIKBEUTEL VERPACKT
- 4 FARBREIHE 1: FARBEN NACH TELEMECANIQUE STANDARD  
FARBREIHE 2: FARBEN NACH WEIDMÜLLER STANDARD  
FARBREIHE DIN: FARBEN NACH DIN 46228 TEIL 4
- 5 MAX. ISOLATIONS-Ø DER LEITUNG: 0.5xD<sub>3</sub> MIN. -0.1
- 6. BENUTZEN SIE HANDWERKZEUG 539660-1

|  |  |  |            |   |
|--|--|--|------------|---|
| THIS DRAWING IS A CONTROLLED DOCUMENT.<br>DIESE ZEICHNUNG IST EIN KONTROLLIERTES DOKUMENT. |  | DWN<br>R.SCHMIDT<br>22-FEB-93            |            |   |
| DIMENSIONS: MASSE/WEITEN: mm   |  | CHK<br>W.BÖCK<br>02-MAR-93               |            |   |
| TOLERANCES UNLESS OTHERWISE SPECIFIED: ALL GEMEINTOLERANZEN                                |  | APVD<br>G.FELDMEIER<br>29-NOV-00         | NAME       |   |
|  |  | PRODUCT SPEC                             |            | DOUBLE CONDUCTOR TUBULAR END-SLEEVE WITH PLASTIC SLEEVE |
| MATERIAL<br>PP/E-Cu  |  | APPLICATION SPEC                         |            |   |
| FINISH/OBERFL.: S <sub>n</sub><br>COLOUR: SEE TABLE<br>FARBE: SIEHE TABELLE                |  | WEIGHT<br>GEWICHT                        | SIZE<br>A2 | CAGE CODE<br>00779                                      |
| CUSTOMER DRAWING / KUNDENZEICHNUNG   |  | DRAWING NO<br>ZEICHNUNGS-NR.<br>G=966144 |            | RESTRICTED TO<br>NUR FÜR                                |
|  |  | SCALE<br>MASSSTAB 1:1                    |            | SHEET<br>BLATT 1 OF 1                                   |
|  |  |  |            | REV<br>B8   |

## X-ON Electronics

Largest Supplier of Electrical and Electronic Components

*Click to view similar products for [Terminals](#) category:*

*Click to view products by [TE Connectivity](#) manufacturer:*

Other Similar products are found below :

[00-054007-01074-6](#) [00-054007-70206-1](#) [00-054007-70210-8](#) [00-054007-70217-7](#) [00-054007-70226-9](#) [00-054007-70228-3](#) [00-054007-70248-1](#) [00-054007-70256-6](#) [00-054007-70301-3](#) [00-054007-70316-7](#) [00-054007-49560-4](#) [00-054007-70209-2](#) [00-054007-70225-2](#) [00-054007-70227-6](#) [00-054007-70231-3](#) [00-054007-70241-2](#) [00-054007-70242-9](#) [00-054007-70244-3](#) [00-054007-70246-7](#) [00-054007-70263-4](#) [00-054007-70288-7](#) [00-054007-70290-0](#) [00-054007-70300-6](#) [00-054007-70304-4](#) [01-2065-1-0216](#) [01-2900-1-04412](#) [00581P0075](#) [600TS-10](#) [60205-1](#) [604200-1](#) [605601-1](#) [60598-1-CUT-TAPE](#) [61314-6-C](#) [61810-3](#) [61-S](#) [61-SN](#) [626-0194](#) [62-NBM-A](#) [62-SN](#) [62-SP](#) [63-S](#) [640179-1](#) [M55155/059I03](#) [M55155/079C01](#) [M55155/099H02](#) [M55155/109H01](#) [M55155/109H02](#) [M55155/12XH05](#) [M55155/16XH02](#) [M55155/29-5S](#)