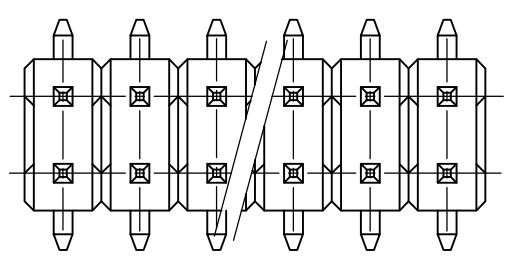
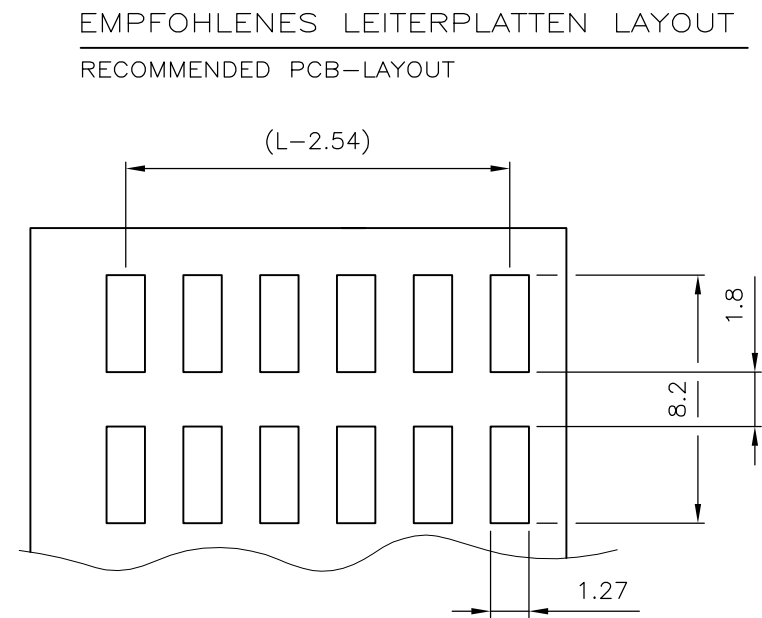
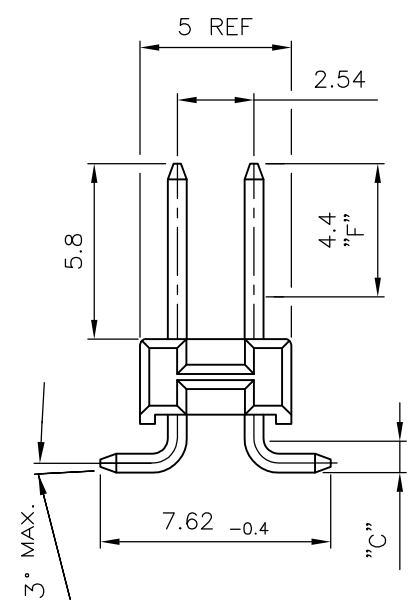
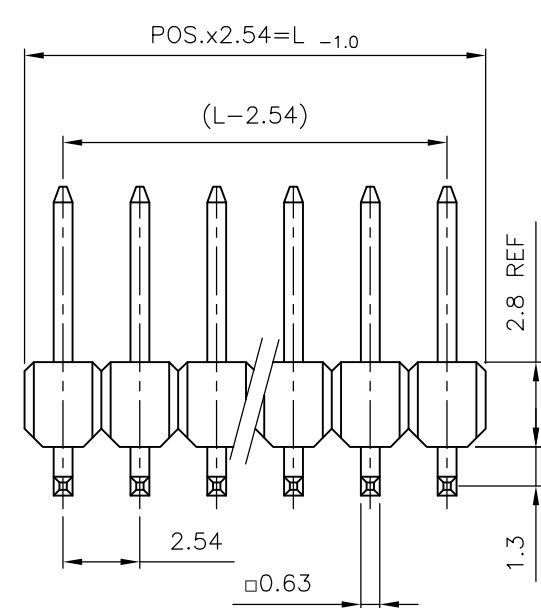


THIS DRAWING IS UNPUBLISHED
 RELEASED FOR PUBLICATION APR , 1995.
 © COPYRIGHT 2010 By - ALL RIGHTS RESERVED.

LOC	DIST	REVISIONS			
P	LTR	DESCRIPTION	DATE	DWN	APVD
IR	-	F	CONTACT PIN MATERIAL & PLATING CHANGE	20JUN2014	PS JK

Pos.	L _{-1,0}
2	5,08
3	7,62
4	10,16
5	12,7
6	15,24
7	17,78
8	20,32
9	22,86
10	25,4
11	27,94
12	30,48
13	33,02
14	35,56
15	38,1
16	40,64
17	43,18



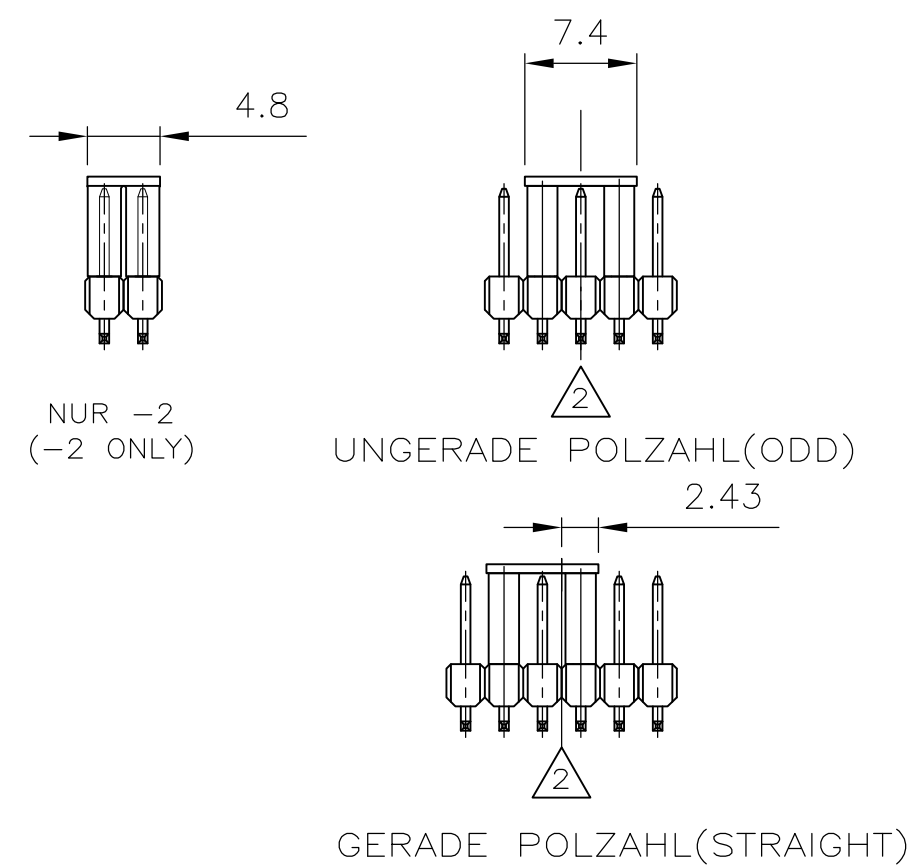
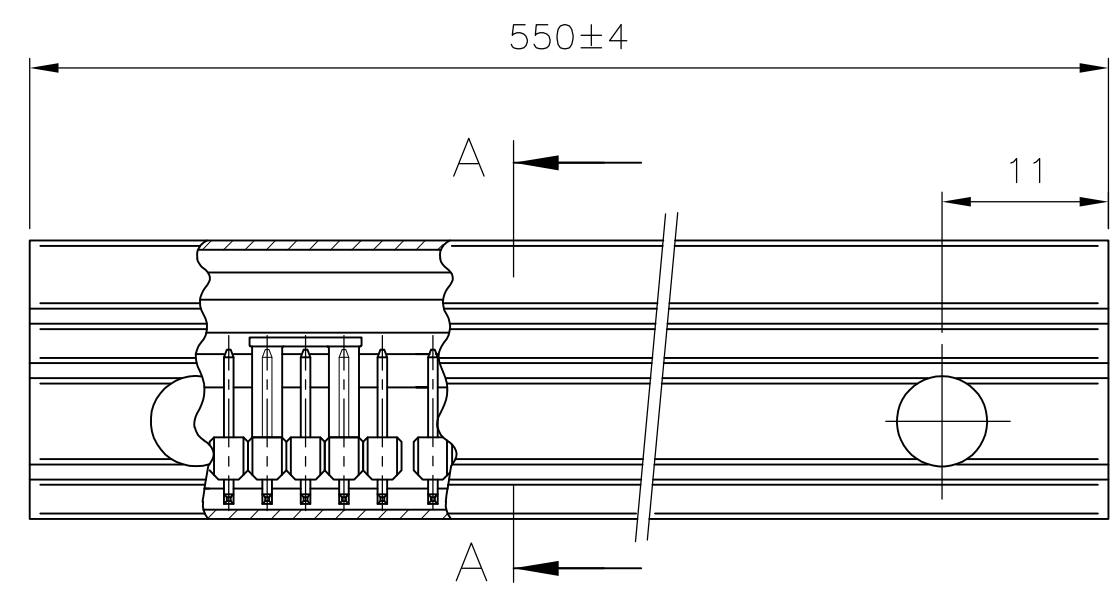
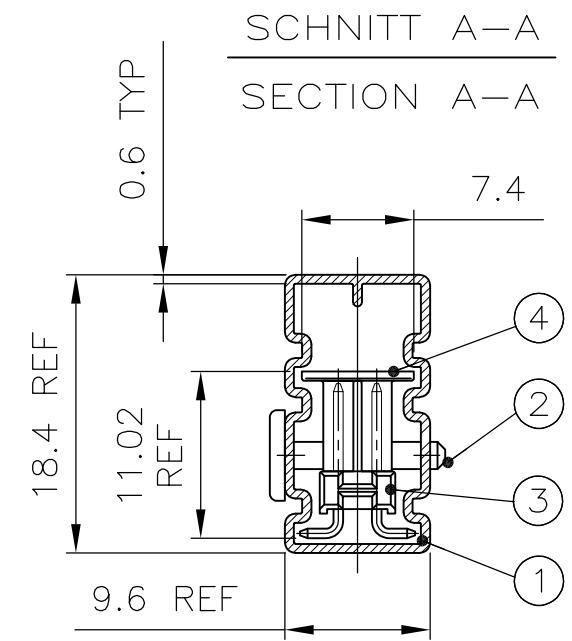
1 MATING SIDE: AREA "F" MIN 0.7µm PdNi + MIN 0.1µm GOLD FLASH OVER 1.27µm NICKEL
 SOLDER SIDE: 3.0 TO 5.0µm TIN OVER 1.27µm NICKEL

KONTAKTSTIFT / CONTACT PIN	Cu Zn	1	2
STIFTGEHÄUSE / PIN HOUSING	PCT-GF	SCHWARZ / BLACK	1
BENENNUNG EINZELTEIL PART DESCRIPTION	WERKSTOFF MATERIAL	OBERFLÄCHE / FARBE SURFACE / COLOR	SI No

THIS DRAWING IS A CONTROLLED DOCUMENT.		DWN A.HO 23.03.95	TE Connectivity	
DIMENSIONS: mm		CHK M.SCHAARSCHMIDT 23.03.95		
		TOLERANCES UNLESS OTHERWISE SPECIFIED: TOL ± 0.2		NAME
MATERIAL SEE TABLE		PRODUCT SPEC 108-18012		AMPMODU II PIN HEADER , SMD, PACKED IN TUBE
FINISH SEE TABLE		APPLICATION SPEC -		RESTRICTED TO
		WEIGHT -	SIZE A3	CAGE CODE 00779
		DRAWING NO C-966269		SCALE 2:1
		CUSTOMER DRAWING		SHEET 1 OF 2
				REV F

THIS DRAWING IS UNPUBLISHED
 RELEASED FOR PUBLICATION APR , 1995.
 © COPYRIGHT 2010 By - ALL RIGHTS RESERVED.

LOC	DIST	REVISIONS					
IR	-	P	LTR	DESCRIPTION	DATE	DWN	APVD
		-		SEE SHEET 1	-	-	-



- 5 OBSOLETE PARTS: OBSOLETE CIS STREAMLINING PER D.RENAUD/D.SINISI
- 4 OBSOLETE
- 3 SIEHE TABELLE / SEE TABLE
- 2 MITTELLINIE DER STIFTLAISTE / CENTER LINE OF THE PIN ROW
- 1 AMPMODU II SMD-STIFTLAISTE SIEHE BLATT 1 VON 2. / AMPMODU II SMD-PIN ROW SEE SHEET 1 OF 2.

1-966 269-0	10	20	
966 269-9	9	23	OBSOLETE 5
966 269-8	8	25	
4 966 269-7	7	29	
4 966 269-6	6	34	
966 269-5	5	41	
966 269-4	4	51	
966 269-3	3	69	
4 966 269-2	2	108	
BESTELL-NR. / PART NO.	POLZ. PROREIHE / POLZ. PER ROW	VERPACKUNGS-EINHEIT / PACKING UNIT	

S.TABELLE / SEE TABLE	4	3	ADAPTER	PCT-GF	SCHWARZ / BLACK	4
	3	3	AMPMODU II STIFTL., SMD	1	1	3
	2	2	VERSCHL. STIFT / LOCKS PIN	PP	ROT	2
	1	1	VERPACKUNGSROHR / PACKING PIPE	ANTI-STATISCH	TRANSPAR.	1
BESTELL-NR. / PN	POS.	STÜCK / PIECE	BENENNUNG EINZELTEIL / PART DESCRIPTION	WERKSTOFF MATERIAL	OBERFLÄCHE / FARBE / SURFACE / COLOR	SI No

THIS DRAWING IS A CONTROLLED DOCUMENT.

DIMENSIONS: mm	TOLERANCES UNLESS OTHERWISE SPECIFIED: TOL ± 0.2	DWN A.HO 23.03.95	TE Connectivity AMPMODU II PIN HEADER , SMD, PACKED IN TUBE														
	<table border="1"> <tr><td>0 PLC</td><td>± 0.2</td></tr> <tr><td>1 PLC</td><td>±</td></tr> <tr><td>2 PLC</td><td>±</td></tr> <tr><td>3 PLC</td><td>±</td></tr> <tr><td>4 PLC</td><td>±</td></tr> <tr><td>ANGLES</td><td>±</td></tr> <tr><td>FINISH</td><td>±</td></tr> </table>	0 PLC		± 0.2	1 PLC	±	2 PLC	±	3 PLC	±	4 PLC	±	ANGLES	±	FINISH	±	CHK M.SCHAARSCHMIDT 23.03.95
		0 PLC		± 0.2													
		1 PLC		±													
2 PLC	±																
3 PLC	±																
4 PLC	±																
ANGLES	±																
FINISH	±																
MATERIAL SEE TABLE	SEE TABLE	APVD -															
		PRODUCT SPEC 108-18012	NAME														
		APPLICATION SPEC -	SIZE CAGE CODE DRAWING NO RESTRICTED TO														
		WEIGHT -	A3 00779 C-966269														
		CUSTOMER DRAWING	SCALE 2:1 SHEET 2 OF 2 REV F														

X-ON Electronics

Largest Supplier of Electrical and Electronic Components

Click to view similar products for [Headers & Wire Housings](#) category:

Click to view products by [TE Connectivity](#) manufacturer:

Other Similar products are found below :

[892-18-020-10-001101](#) [58102-G61-06LF](#) [582553-1](#) [0009485154](#) [009176003701906](#) [0050291907](#) [LY20-4P-DT1-P1E-BR](#) [02.125.8002.8](#)
[609-3404](#) [61062-3](#) [61082-181009](#) [622-3653LF](#) [63453-116](#) [636-1030](#) [636-1427](#) [636-3427](#) [636-4007](#) [641938-9](#) [641991-4](#) [644827-2](#) [65817-010LF](#) [65817-015LF](#) [65863-015LF](#) [66207-023LF](#) [67095-007LF](#) [67601157](#) [68645-018](#) [68648-049](#) [70.362.1628.0](#) [70-4210](#) [70-4226B](#) [70-4853B](#) [707-5020](#) [707-5028](#) [71.350.2428.0](#) [71918-208LF](#) [71961-016LF](#) [733-134](#) [733-162](#) [754199-000](#) [760-3052](#) [787-8014-00](#) [79531-3000](#)
[FCN-360C032-B](#) [FCN-367T-T012/H](#) [FCN-723D010/2](#) [80.063.4001.1](#) [800-90-001-10-001000](#) [800-90-010-10-002000](#) [801-43-002-10-013000](#)