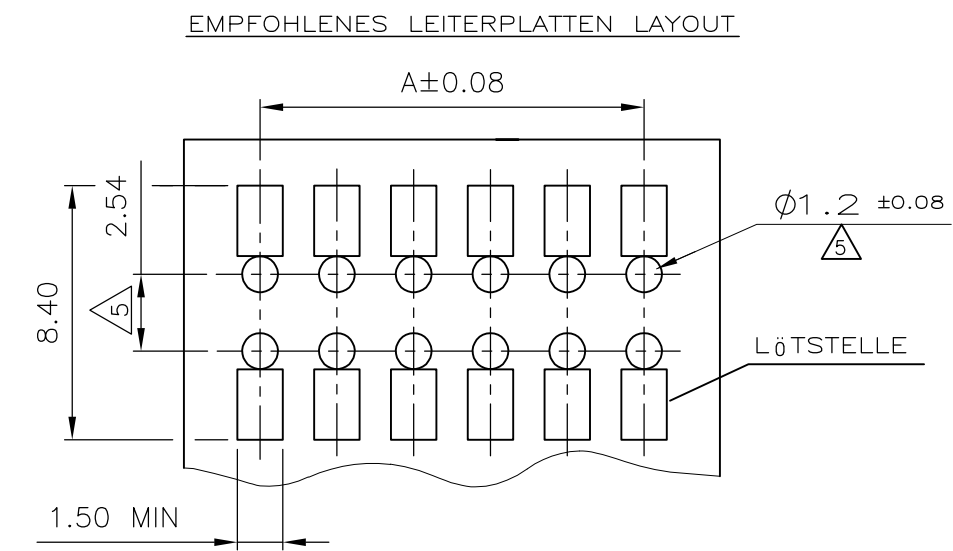
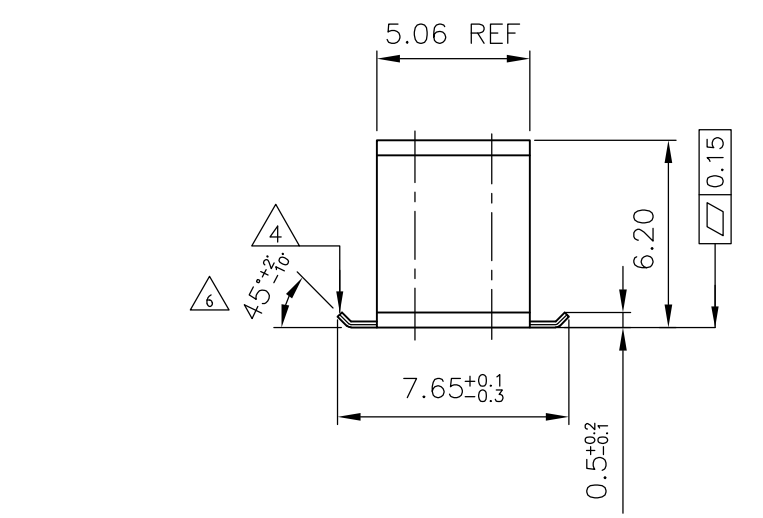
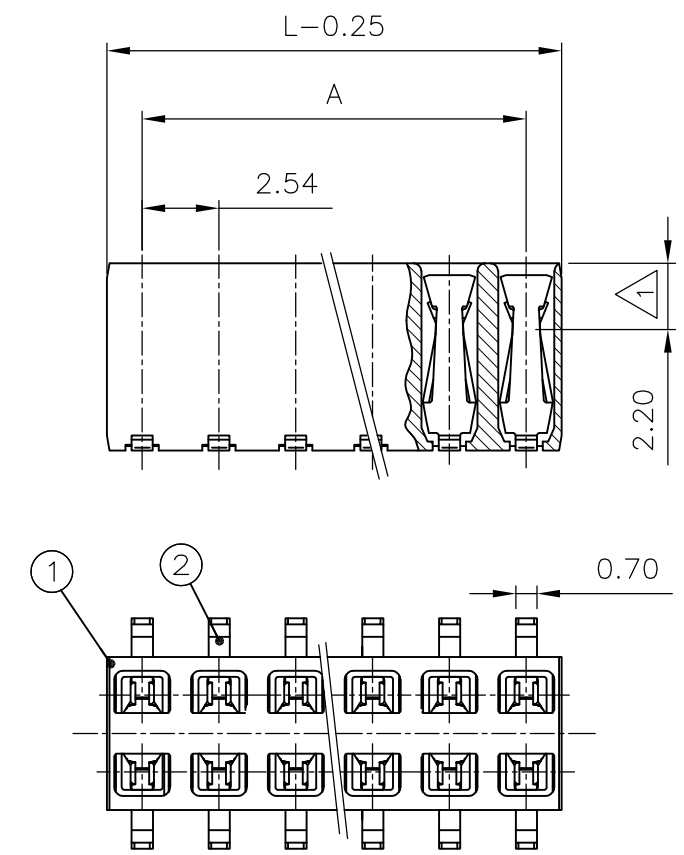


THIS DRAWING IS UNPUBLISHED. RELEASED FOR PUBLICATION
 © COPYRIGHT - By - ALL RIGHTS RESERVED.

LOC	DIST	REVISIONS			
P	LTR	DESCRIPTION	DATE	DWN	APVD
IR	-	R2	TOLERANCE UPDATED AND NOTE 6 ADDED	12SEP2013	KJK RP

Polz.	L _{-0.25}	A
-	-	-
2	4.88	2.54
3	7.42	5.08
4	9.96	7.62
5	12.5	10.16
6	15.04	12.7
7	17.58	15.24
8	20.12	17.78
9	22.66	20.32
10	25.2	22.86
11	27.24	25.4
12	30.28	27.94
13	32.82	30.48
14	35.36	33.02
15	37.90	35.56
16	40.44	38.10
17	42.98	40.64
18	45.52	43.18
19	48.06	45.72
20	50.60	48.26



1 EDGE CONTACT
KONTAKTPUNKT

2 CONTACT RANGE: 0.8µm GOLD OVER 1.3µm Ni
 SOLDERING RANGE: 2.5µm TIN OVER 1.3µm Ni
 KONTAKTBEREICH: 0.8µm GOLD ÜBER 1.3µm Ni
 LÖTBEREICH: 2.5µm ZINN ÜBER 1.3µm Ni

3 CAN BE PLUGGED IN WITH MODU II PINS Ø0.63 OR □0.63 TOP
 OR BOTTOM ENTRY.
 STECKBAR MIT MODU II STIFTEN Ø0.63 ODER □0.63
 TOP ODER BOTTOM ENTRY.

4 PLANE OF SECTION BLANK
SCHNITTFLÄCHE BLANK

5 ONLY WITH THE BOTTOM ENTRY
NUR BEI BOTTOM ENTRY

6 BEND ANGLE WILL BE 80°±5° WHEN PRODUCED AT
DIFFERENT EQUIPMENT (SEMI-AUTOMATIC) DUE TO CAPACITY
AND MIX OF LOAD.

POS.	STÜCK / PIECE	BENENNUNG EINZELTEIL PART DESCRIPTION	WERKSTOFF MATERIAL	OBERFLÄCHE / FARBE SURFACE / COLOR	SI No
2	-	HV 100 KONTAKT / HV 100 CONTACT	Cu Sn	2	2
1	-	HV 100 GEHÄUSE / HV 100 HOUSING	LCP	SCHWARZ / BLACK	1

THIS DRAWING IS A CONTROLLED DOCUMENT.

DWN	A.HO	06.01.95
CHK	M.SCHAARSCHMIDT	09.01.95
APVD	-	-
PRODUCT SPEC	108-19056	
APPLICATION SPEC	-	
WEIGHT	-	

STE TE Connectivity

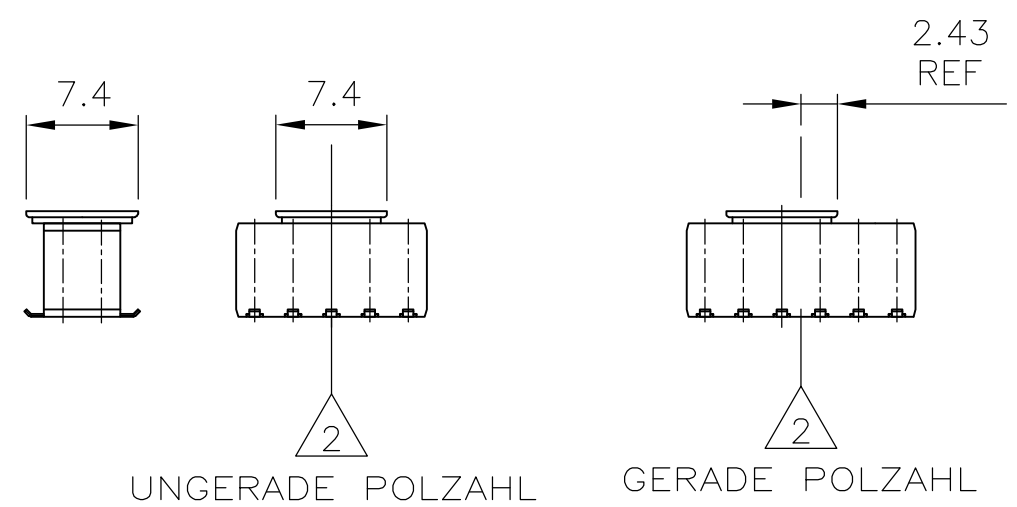
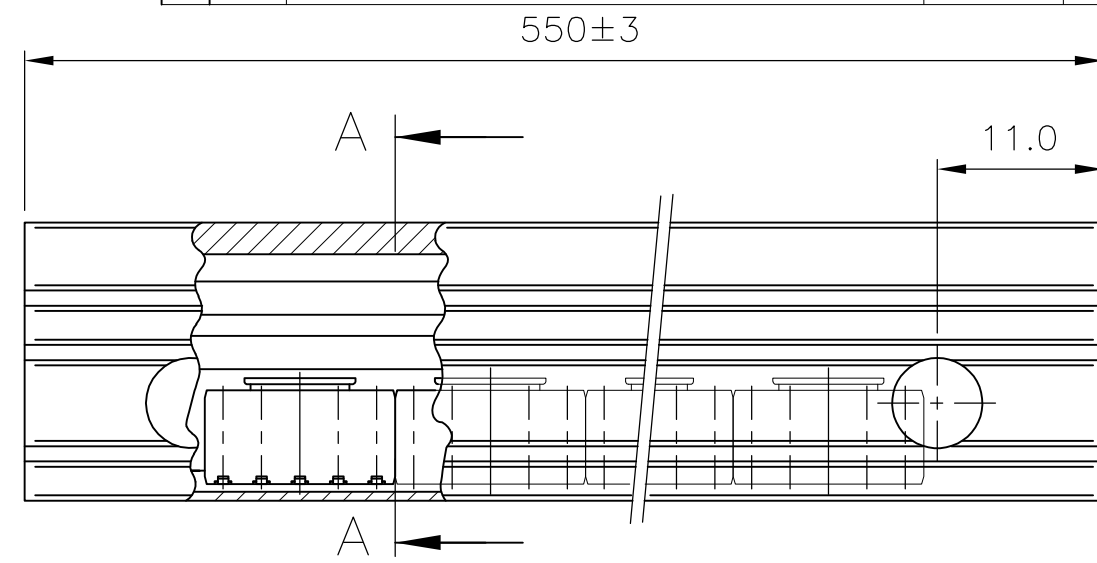
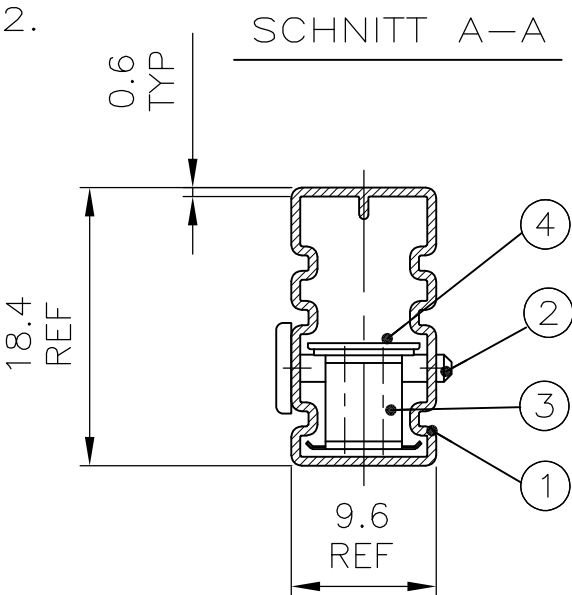
HV 100 RECEPTACLE CONNECTOR, SMD,
DOUBLE ROW, TUBE PACKAGING

SIZE	CAGE CODE	DRAWING NO	RESTRICTED TO
A3	00779	C-966645	-

CUSTOMER DRAWING SCALE 2:1 SHEET 1 OF 2 REV R2

LOC	DIST	REVISIONS					
IR	-	P	LTR	DESCRIPTION	DATE	DWN	APVD
		-		SEE SHEET 1	-	-	-

- 1 HV 100 SOCKET PLUG, SMD SEE SHEET 1 OF 2.
HV100 BUCHSENSTECKER SMD SIEHE BLATT 1 VON 2.
- 2 CENTER LINE OF SOCKET PLUG
MITTELLINIE DES BUCHSENSTECKERS
- 3 SEE TABLE
SIEHE TABELLE



	OBSOLETE	OBSOLETE	OBSOLETE	OBSOLETE	OBSOLETE	OBSOLETE							
10	13	17	18	20	23	25	29	34	41	52	69	ADAPTER F. SAUGPIPETTE	4
10	-	-	-	-	-	-	-	-	-	-	-	2x20POL. BUCHSENSTECKER 2x20POS. SOCKET PLUG	3
-	13	-	-	-	-	-	-	-	-	-	-	2x15POL. BUCHSENSTECKER 2x15POS. SOCKET PLUG	3
-	-	17	-	-	-	-	-	-	-	-	-	2x12POL. BUCHSENSTECKER 2x12POS. SOCKET PLUG	3
-	-	-	18	-	-	-	-	-	-	-	-	2x11POL. BUCHSENSTECKER 2x11POS. SOCKET PLUG	3
-	-	-	-	20	-	-	-	-	-	-	-	2x10POL. BUCHSENSTECKER 2x10POS. SOCKET PLUG	3
-	-	-	-	-	23	-	-	-	-	-	-	2x9 POL. BUCHSENSTECKER 2x9 POS. SOCKET PLUG	3
-	-	-	-	-	-	25	-	-	-	-	-	2x8 POL. BUCHSENSTECKER 2x8 POS. SOCKET PLUG	3
-	-	-	-	-	-	-	29	-	-	-	-	2x7 POL. BUCHSENSTECKER 2x7 POS. SOCKET PLUG	3
-	-	-	-	-	-	-	-	34	-	-	-	2x6 POL. BUCHSENSTECKER 2x6 POS. SOCKET PLUG	3
-	-	-	-	-	-	-	-	-	41	-	-	2x5 POL. BUCHSENSTECKER 2x5 POS. SOCKET PLUG	3
-	-	-	-	-	-	-	-	-	-	52	-	2x4 POL. BUCHSENSTECKER 2x4 POS. SOCKET PLUG	3
-	-	-	-	-	-	-	-	-	-	-	69	2x3 POL. BUCHSENSTECKER 2x3 POS. SOCKET PLUG	3
2	2	2	2	2	2	2	2	2	2	2	2	VERSCHLUß-STIFT	2
1	1	1	1	1	1	1	1	1	1	1	1	VERPACKUNGSRÖHR PACKING PIPE	1
2--0	1--5	1--2	1--1	1--0	-9	-8	-7	-6	-5	-4	-3		

S.TABELLE SEE TABLE	4	3	ADAPTER	PCT-GV	SCHWARZ / BLACK	4
	3	3	HV 100 BUCHSENST, SMD	1	1	3
	2	2	VERSCHL. STIFT / LOCKS PIN	PP	ROT / RED	2
	1	1	VERPACKUNGSRÖHR / PACKING PIPE	ANTI-STATISCH	TRANSPAR.	1
BESTELL-NR	POS.	STÜCK PIECE	BENENNUNG EINZELTEIL PART DESCRIPTION	WERKSTOFF MATERIAL	OBERFLÄCHE / FARBE SURFACE / COLOR	SI No

THIS DRAWING IS A CONTROLLED DOCUMENT.

DWN A.HO 06.01.95
CHK M.SCHAARSCHMIDT 09.01.95
APVD -

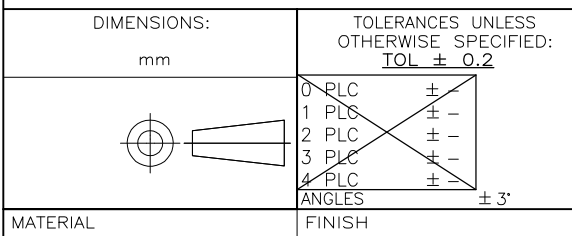
NAME: HV 100 RECEPTACLE CONNECTOR, SMD, DOUBLE ROW, TUBE PACKAGING

PRODUCT SPEC: 108-19056
APPLICATION SPEC: -

SIZE: A3 CAGE CODE: 00779 DRAWING NO: C-966645 RESTRICTED TO: -

WEIGHT: -

CUSTOMER DRAWING SCALE: 2:1 SHEET: 2 OF 2 REV: R2



X-ON Electronics

Largest Supplier of Electrical and Electronic Components

Click to view similar products for [Headers & Wire Housings](#) category:

Click to view products by [TE Connectivity](#) manufacturer:

Other Similar products are found below :

[892-18-020-10-001101](#) [58102-G61-06LF](#) [582553-1](#) [0009485154](#) [009176003701906](#) [0050291907](#) [LY20-4P-DT1-P1E-BR](#) [02.125.8002.8](#)
[609-3404](#) [61062-3](#) [61082-181009](#) [622-3653LF](#) [63453-116](#) [636-1030](#) [636-1427](#) [636-3427](#) [636-4007](#) [641938-9](#) [641991-4](#) [644827-2](#) [65817-010LF](#) [65817-015LF](#) [65863-015LF](#) [66207-023LF](#) [67095-007LF](#) [67601157](#) [68645-018](#) [68648-049](#) [70.362.1628.0](#) [70-4210](#) [70-4226B](#) [70-4853B](#) [707-5020](#) [707-5028](#) [71.350.2428.0](#) [71918-208LF](#) [71961-016LF](#) [733-134](#) [733-162](#) [754199-000](#) [760-3052](#) [787-8014-00](#) [79531-3000](#)
[FCN-360C032-B](#) [FCN-367T-T012/H](#) [FCN-723D010/2](#) [80.063.4001.1](#) [800-90-001-10-001000](#) [800-90-010-10-002000](#) [801-43-002-10-013000](#)