
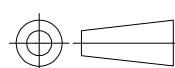


THIS DRAWING IS UNPUBLISHED  
 RELEASED FOR PUBLICATION SEP , 1998.  
 © COPYRIGHT 2010 By - ALL RIGHTS RESERVED.

LOC	DIST	REVISIONS			
P	LTR	DESCRIPTION	DATE	DWN	APVD
IR	-	B	CONTACT MATERIAL & PLATING CHANGE	20JUN2014	PS JK

PACKAGING AND PRODUCT DETAILS:

PIN HEADER PACKED IN TUBE: SEE DRAWING 966269 (CONTACT AREA PdNi+GOLD FLASH)  
 PIN HEADER PACKED IN BLISTER: SEE DRAWING 1241050 (CONTACT AREA PdNi+GOLD FLASH)  
 PIN HEADER PACKED IN BLISTER: SEE DRAWING 2823051 (CONTACT AREA GOLD PLATING)

THIS DRAWING IS A CONTROLLED DOCUMENT.		DWN A.HO 01.02.93	 TE Connectivity		
DIMENSIONS: mm		CHK M.SCHAARSCHMIDT 08.07.93			
		APVD -	NAME AMPMODU II STIFTLISTE ZWEIREIHIG,SMD-VERSION		
TOLERANCES UNLESS OTHERWISE SPECIFIED:		PRODUCT SPEC -	APPLICATION SPEC -		
0 PLC ± - 1 PLC ± - 2 PLC ± - 3 PLC ± - 4 PLC ± - ANGLES ± -		WEIGHT -	SIZE A3	CAGE CODE 00779	DRAWING NO C-966709
MATERIAL -		FINISH -	CUSTOMER DRAWING		RESTRICTED TO -
			SCALE -	SHEET 1 OF 1	REV B

## X-ON Electronics

Largest Supplier of Electrical and Electronic Components

*Click to view similar products for [Headers & Wire Housings](#) category:*

*Click to view products by [TE Connectivity](#) manufacturer:*

Other Similar products are found below :

[95000-104TRLF](#) [10135584-644402LF](#) [DF62W-EP2022PCA](#) [95000-106TRLF](#) [DF62W-2022SCA](#) [DF62W-EP2022PC](#) [2203348](#) [DF62W-2022SC](#) [1084018](#) [1029039](#) [1084017](#) [802-10-012-10-002000](#) [1112640](#) [1112639](#) [891-007-9SS-BST1T](#) [000-34000](#) [0008550134](#) [0009482033](#) [0009507031](#) [57102-F02-18ULF](#) [57102-S06-03LF](#) [57202-S52-04LF](#) [PCN6-15S-2.5E](#) [0039019024](#) [58102-G61-06LF](#) [582553-1](#) [0009485154](#) [0009508121](#) [0022285053](#) [0050291907](#) [018731A](#) [LY20-4P-DT1-P1E-BR](#) [02.125.8002.8](#) [60101931](#) [60598-1 \(Cut Strip\)](#) [M1625-3R/100](#) [61062-3](#) [61082-181009](#) [CSU011177004](#) [636-1427](#) [638009-1](#) [641938-9](#) [641991-4](#) [644168-1](#) [644827-2](#) [647662-1](#) [65039-019ELF](#) [65692-001LF](#) [65781-018](#) [65781-047](#)