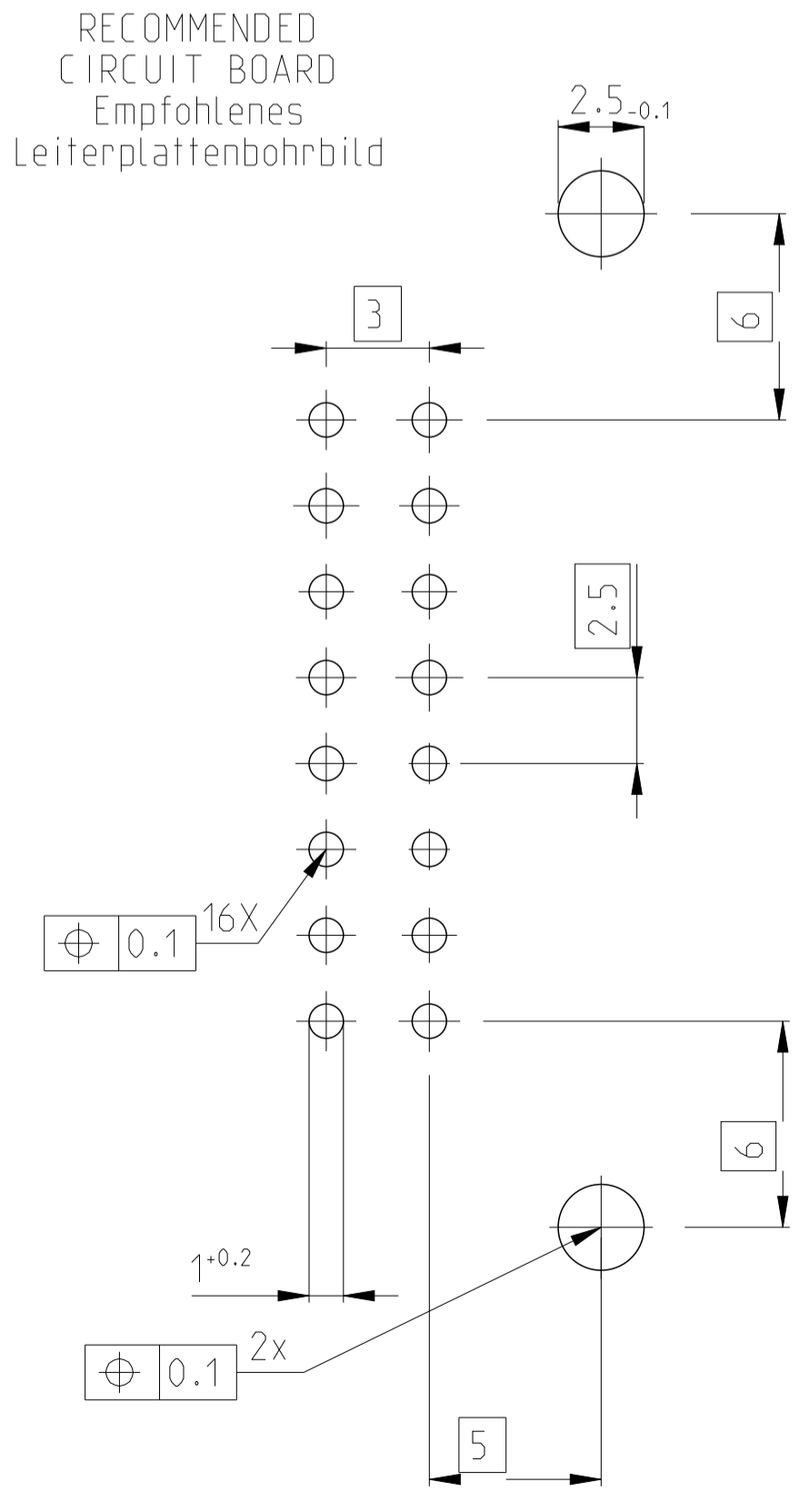
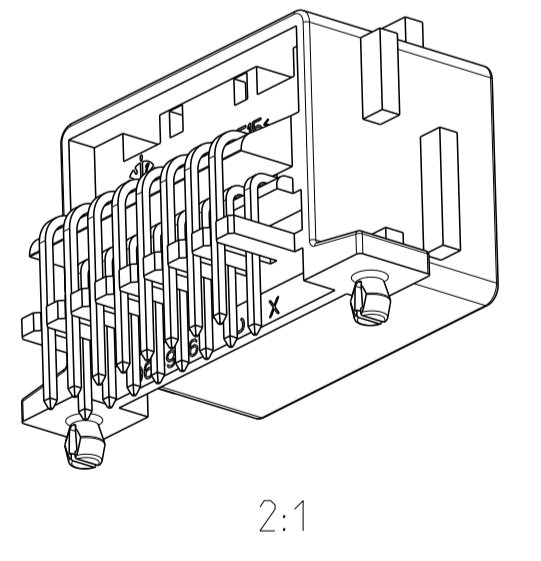
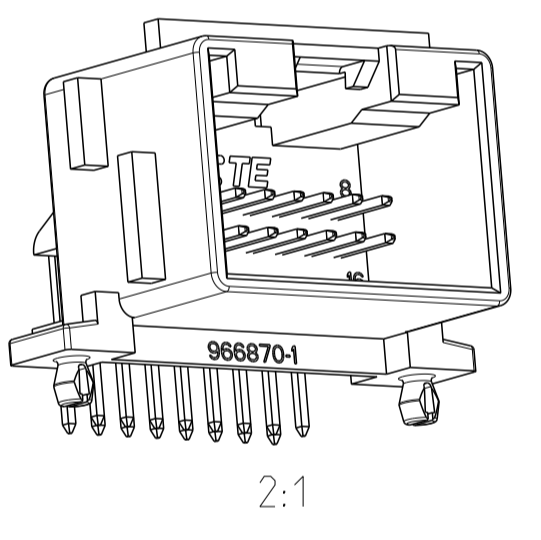
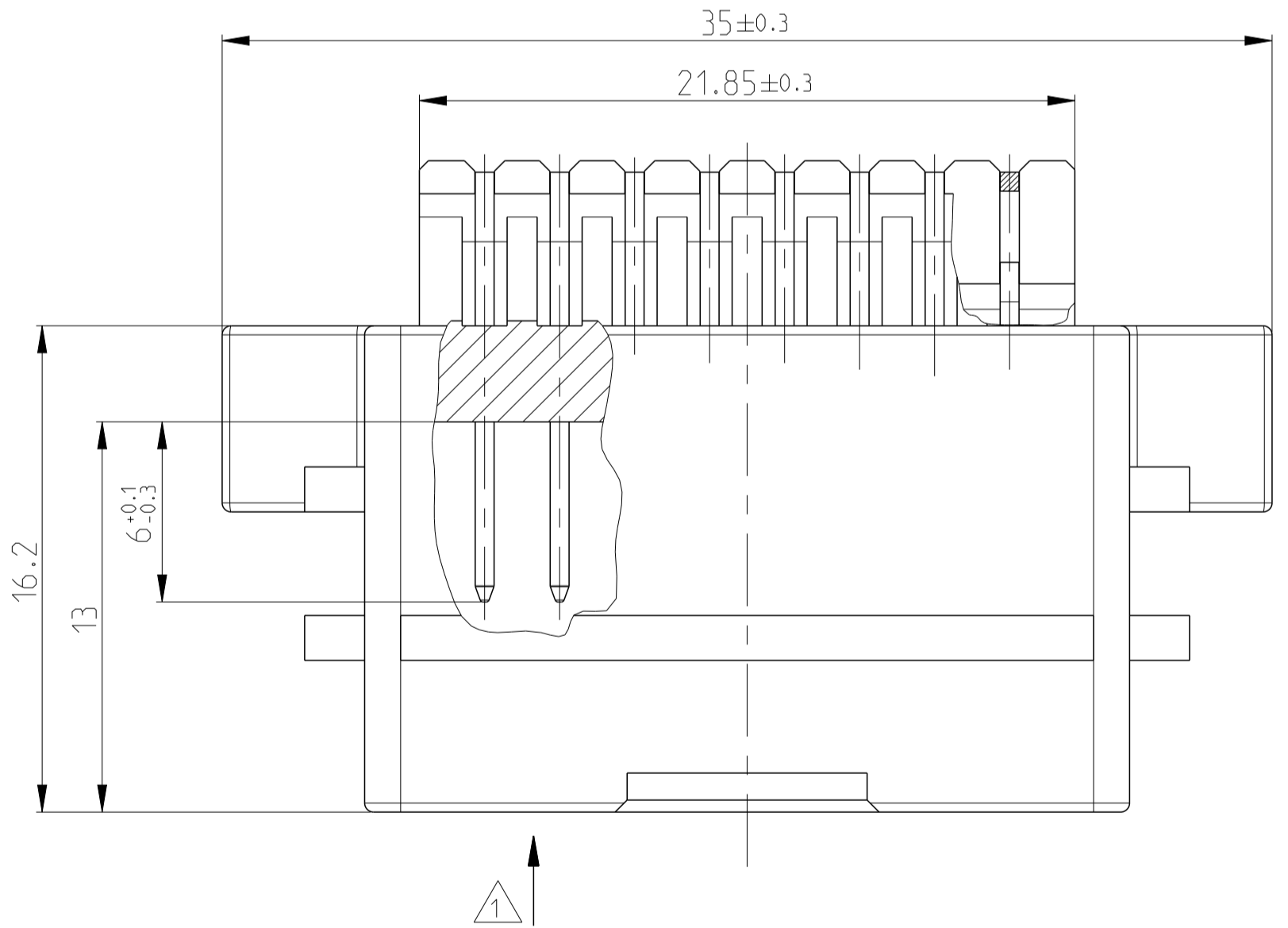
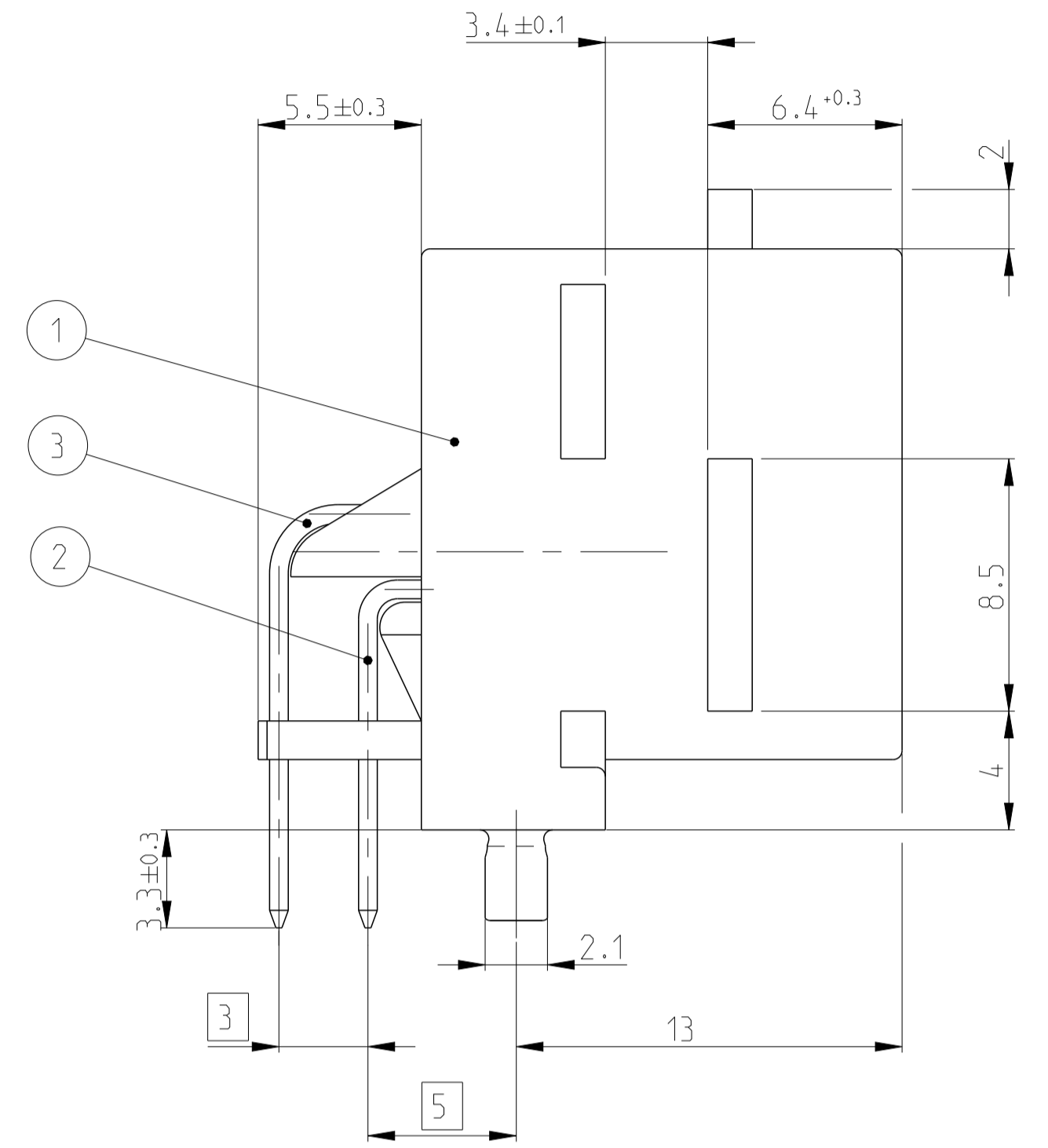
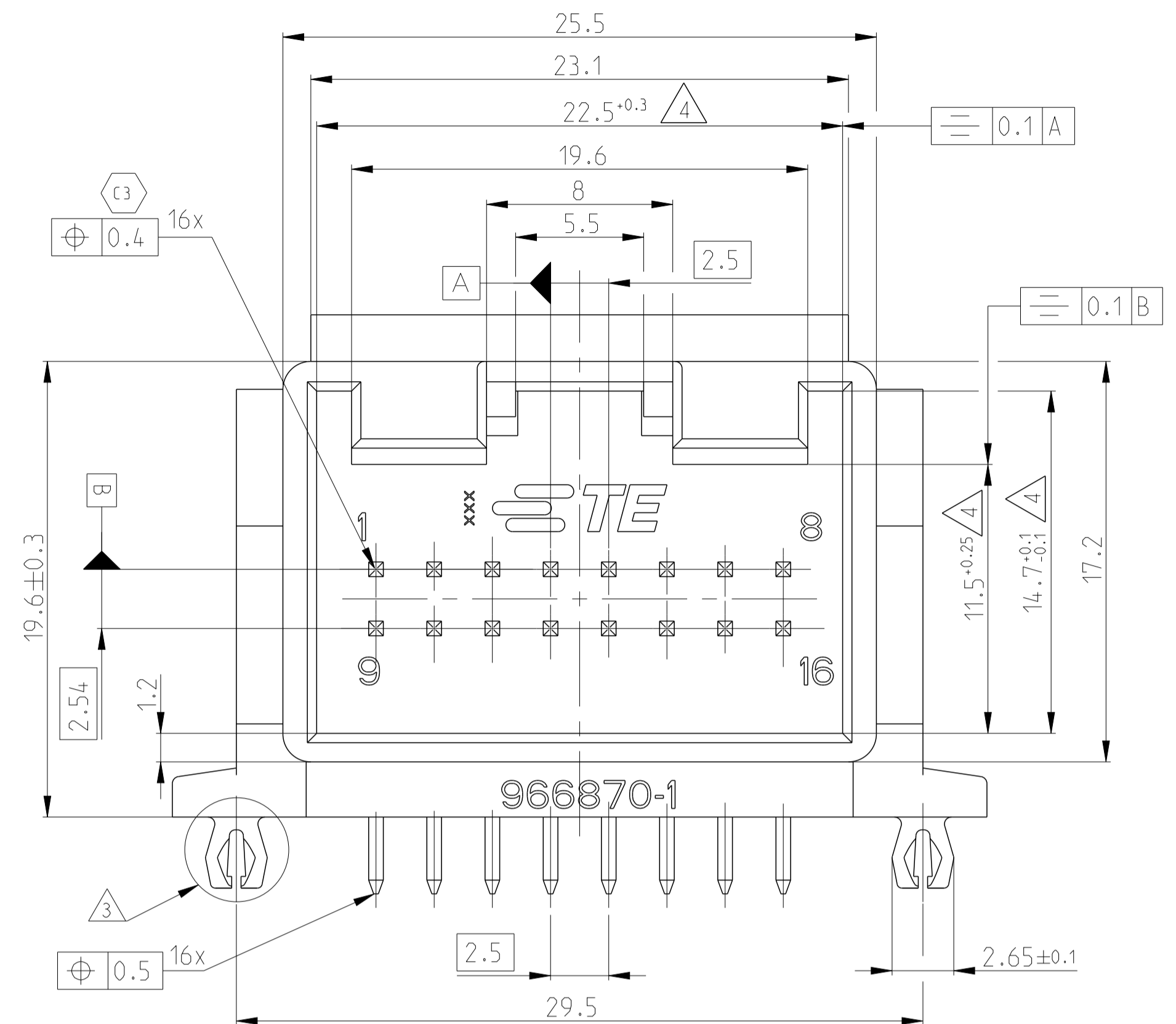
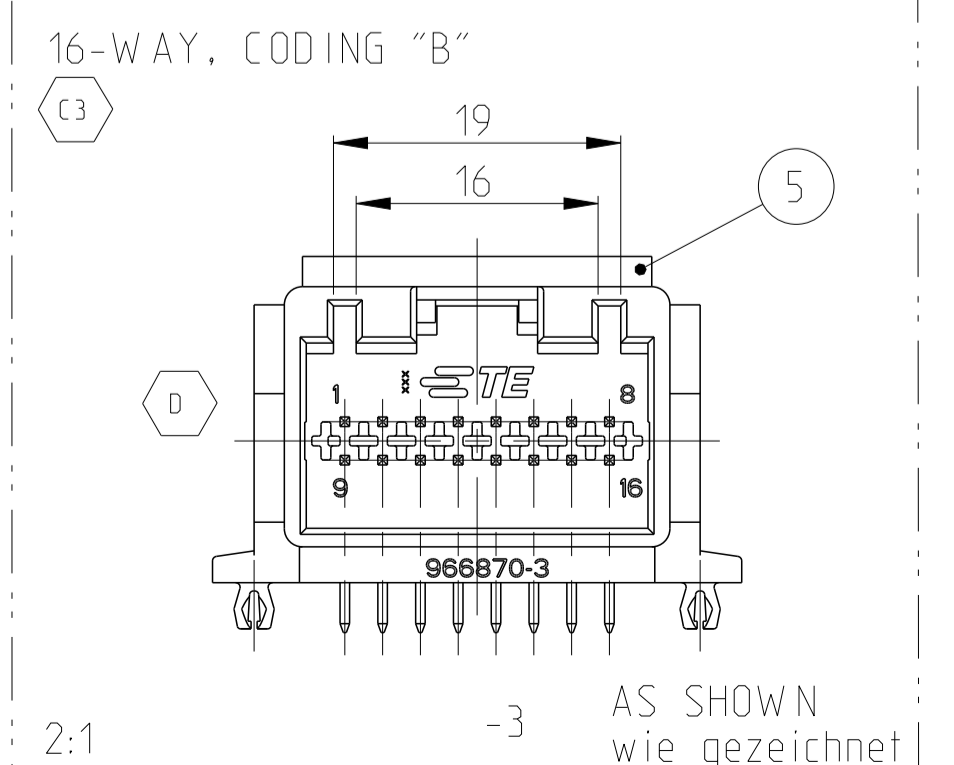
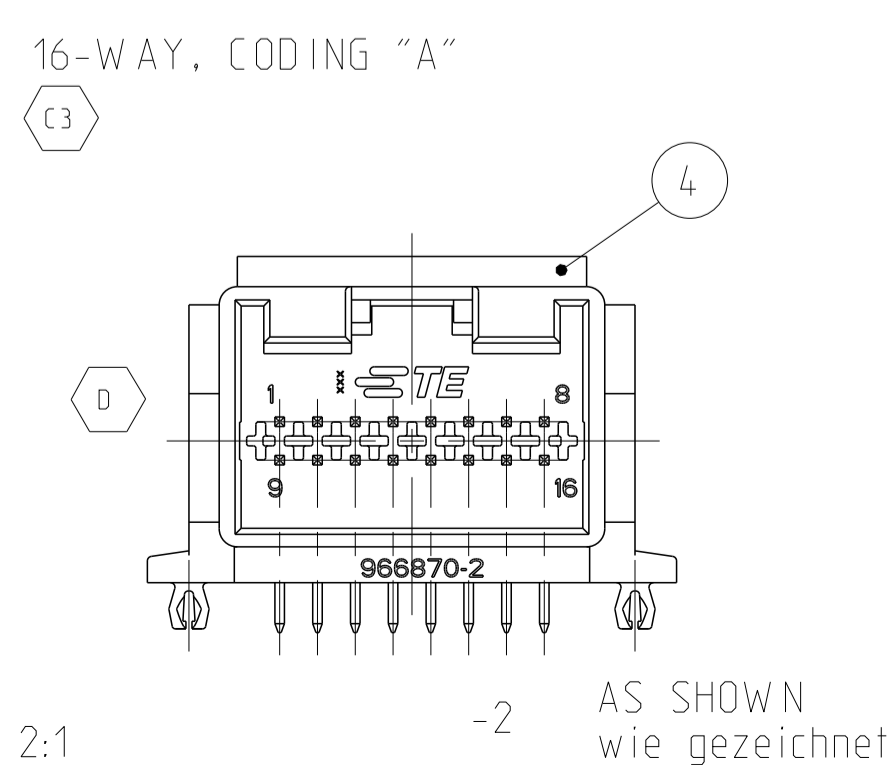


PROJECT NO. A95-55355		REVISIONS			
P	LTN	DESCRIPTION	DATE	DMN	APVD
C1		Revision angepasst	31JAN2001	KS	-
C2		NEW PACKAGING	04MAR2009	PS	MZ
C3		NEW VERSIONS ADDED	27SEP2016	J.B.JH	GB
D		UPDATED REVISION FOR -2 AND -3 VARIANT	09JUL2018	SCK	GB



- 1 CONTACT PRESS OUT FORCE MIN. 40N
Kontaktausdrueckkraft min. 40N
- 2 SUITABLE CONNECTOR/Passender Anschlussstecker:
SHIELDS VW/AUDI : 969421
Abdeckkappen VW/Audi : 969444
SHIELDS NEUTRAL : 969545
Abdeckkappen Neutral : 1355361
CONTACT HOUSING : 828929-2
Kontaktgehäuse : 966596-X
- 3 LOCKING PIN FOR PCB THICKNESS 1.5mm
Rastzapfen fuer Leiterplattendicke 1.5mm
- 4 TOOL DEPENDENT WARPAGE MAX. ±0.3 PERMITTED
Formbedingter Einfall max. ±0.3 zul.
- 5 PACKAGING A/ Verpackung A:
BOX PN 740906-1
Karton PN
TRAY PN 740966-2
Tray PN
CORRUCATED INNER LAYER (338x535mm)
Zwischenlage
- 6 PACKAGING B/ Verpackung B:
BOX PN 740906-1
Karton PN
TRAY PN 740966-2
Tray PN
BAG PN 1379066-3
Beutel PN

-1 AS SHOWN
wie gezeichnet



TE-ORDER-NO.	REV.	CODING	PACKAGING	DESCRIPTION	SURFACE COLOR	MATERIAL	QTY.	ITEM NO.
1-966870-1	C	A	B	MODU II PIN (26.9mm)	TIN-PLATED	CuSn6	8	3
				MODU II PIN (21.7mm)	TIN-PLATED	CuSn6	8	2
				2X8 POS. PIN-HEADER	BLACK	PBT-GF 15	1	1
966870-3	D	B	A	MODU II PIN (26.9mm)	TIN-PLATED	CuSn6	8	3
				MODU II PIN (21.7mm)	TIN-PLATED	CuSn6	8	2
				2X8 POS. PIN-HEADER	BLACK	PBT-GF 15	1	5
966870-2	D	A	A	MODU II PIN (26.9mm)	TIN-PLATED	CuSn6	8	3
				MODU II PIN (21.7mm)	TIN-PLATED	CuSn6	8	2
				2X8 POS. PIN-HEADER	BROWN	PBT-GF 15	1	4
966870-1	C	A	A	MODU II PIN (26.9mm)	TIN-PLATED	CuSn6	8	3
				MODU II PIN (21.7mm)	TIN-PLATED	CuSn6	8	2
				2X8 POS. PIN-HEADER	BLACK	PBT-GF 15	1	1

THIS DRAWING IS A CONTROLLED DOCUMENT. DIMENSIONS: mm. TOLERANCES UNLESS OTHERWISE SPECIFIED: 1. PLC ±0.1, 2. PLC ±0.2, 3. PLC ±0.3, 4. ON UNITS ±0.1, 5. ON UNITS ±0.2, 6. ON UNITS ±0.3, 7. ON UNITS ±0.4, 8. ON UNITS ±0.5, 9. ON UNITS ±0.6, 10. ON UNITS ±0.7, 11. ON UNITS ±0.8, 12. ON UNITS ±0.9, 13. ON UNITS ±1.0, 14. ON UNITS ±1.2, 15. ON UNITS ±1.5, 16. ON UNITS ±2.0, 17. ON UNITS ±2.5, 18. ON UNITS ±3.0, 19. ON UNITS ±4.0, 20. ON UNITS ±5.0.

OWN: K.Sellien 07/MAR1996
CHK: B.Kirsch 07/MAR1996
NAME: AMPMODU MODU II Stiftleiste.
2x8 pol.
SIZE: A1 CAGE CODE: 00779 DRAWING NO: 966870
WEIGHT: 5.667g
MATERIAL: -
FINISH: -
CUSTOMER DRAWING

TE Connectivity
SCALE: 5:1 SHEET: 1 OF 1 REV: D

X-ON Electronics

Largest Supplier of Electrical and Electronic Components

Click to view similar products for [Headers & Wire Housings](#) category:

Click to view products by [TE Connectivity](#) manufacturer:

Other Similar products are found below :

[892-18-020-10-001101](#) [58102-G61-06LF](#) [582553-1](#) [0009485154](#) [009176003701906](#) [0050291907](#) [LY20-4P-DT1-P1E-BR](#) [02.125.8002.8](#)
[609-3404](#) [61062-3](#) [61082-181009](#) [622-3653LF](#) [63453-116](#) [636-1030](#) [636-1427](#) [636-3427](#) [636-4007](#) [641938-9](#) [641991-4](#) [644827-2](#) [65817-010LF](#) [65817-015LF](#) [65863-015LF](#) [66207-023LF](#) [67095-007LF](#) [67601157](#) [68645-018](#) [68648-049](#) [70.362.1628.0](#) [70-4210](#) [70-4226B](#) [70-4853B](#) [707-5020](#) [707-5028](#) [71.350.2428.0](#) [71918-208LF](#) [71961-016LF](#) [733-134](#) [733-162](#) [754199-000](#) [760-3052](#) [787-8014-00](#) [79531-3000](#)
[FCN-360C032-B](#) [FCN-367T-T012/H](#) [FCN-723D010/2](#) [80.063.4001.1](#) [800-90-001-10-001000](#) [800-90-010-10-002000](#) [801-43-002-10-013000](#)