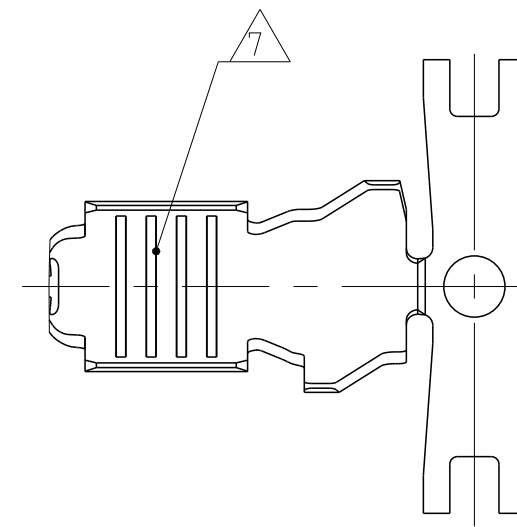
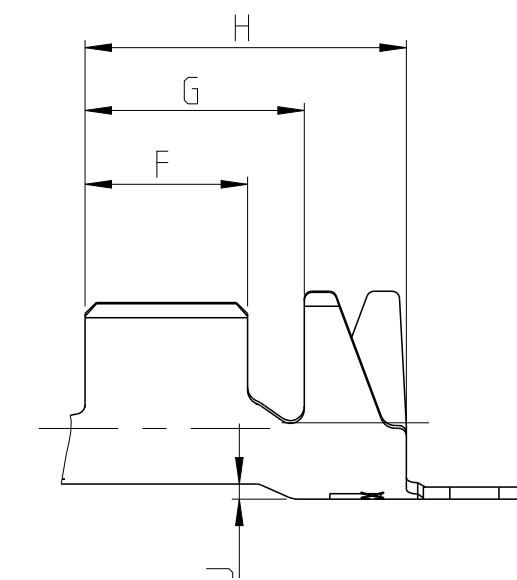
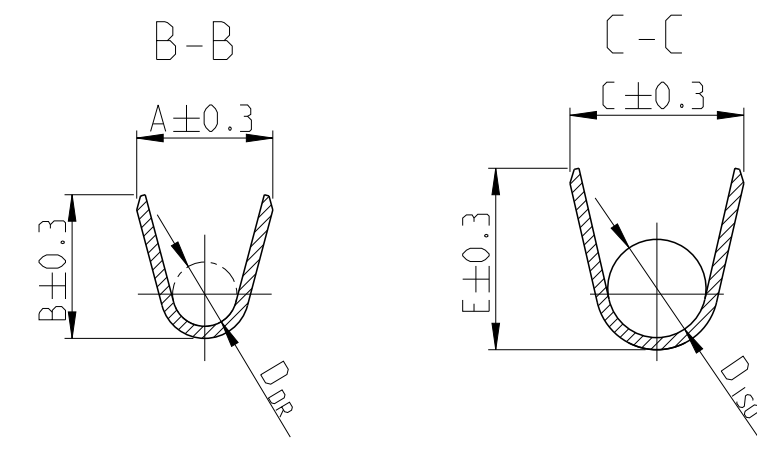
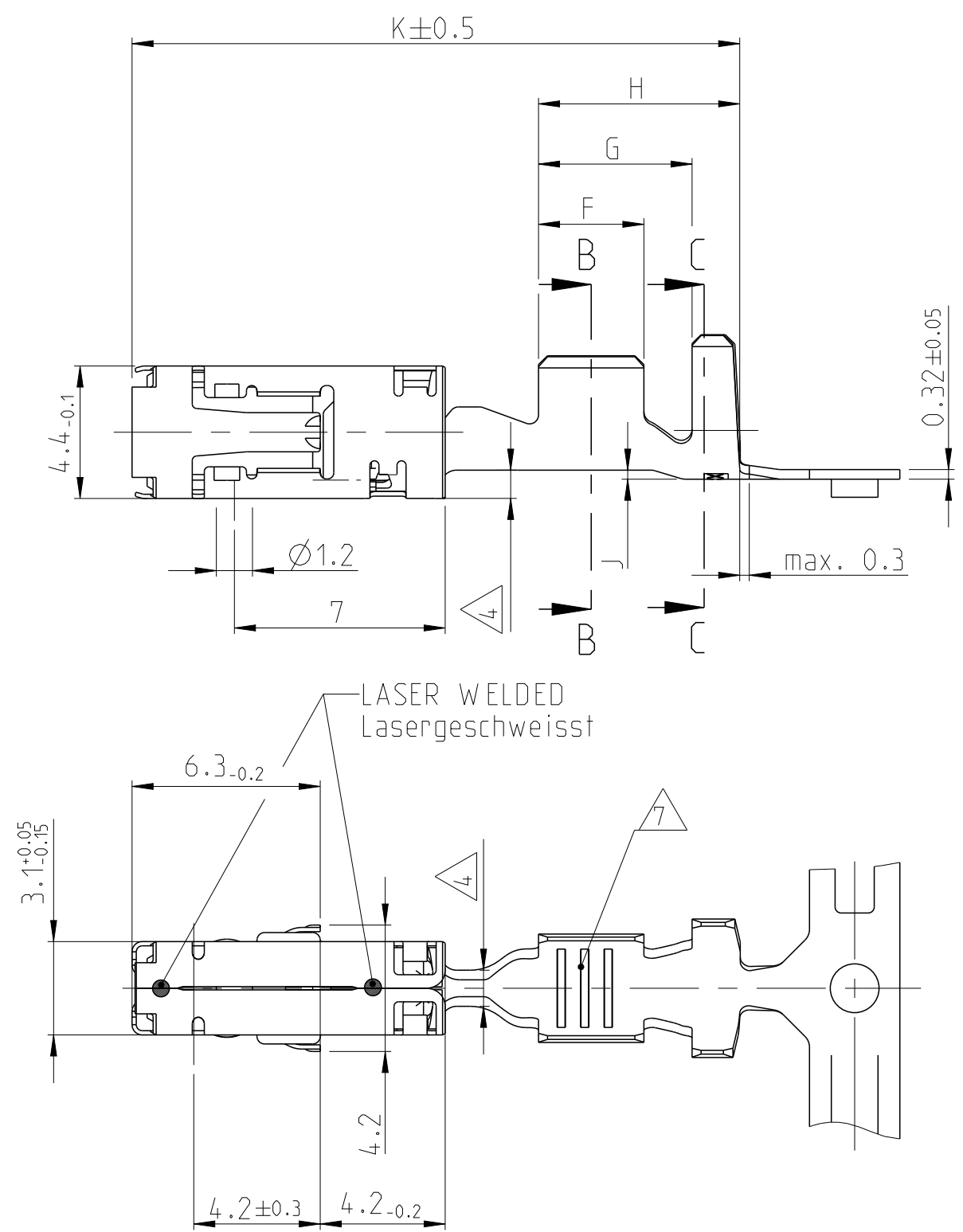
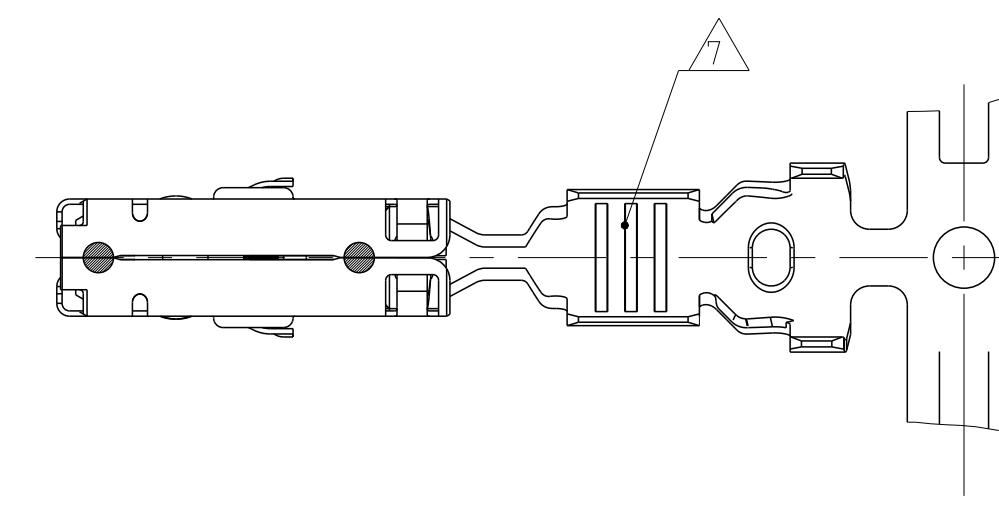
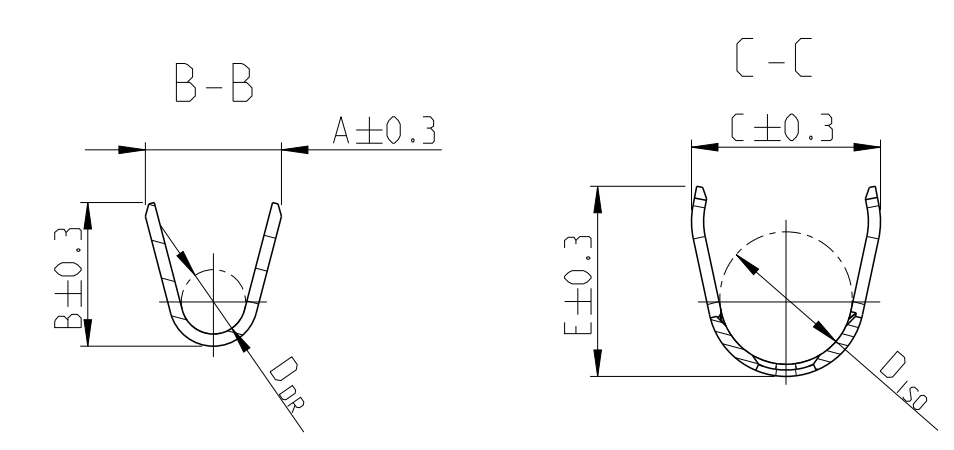
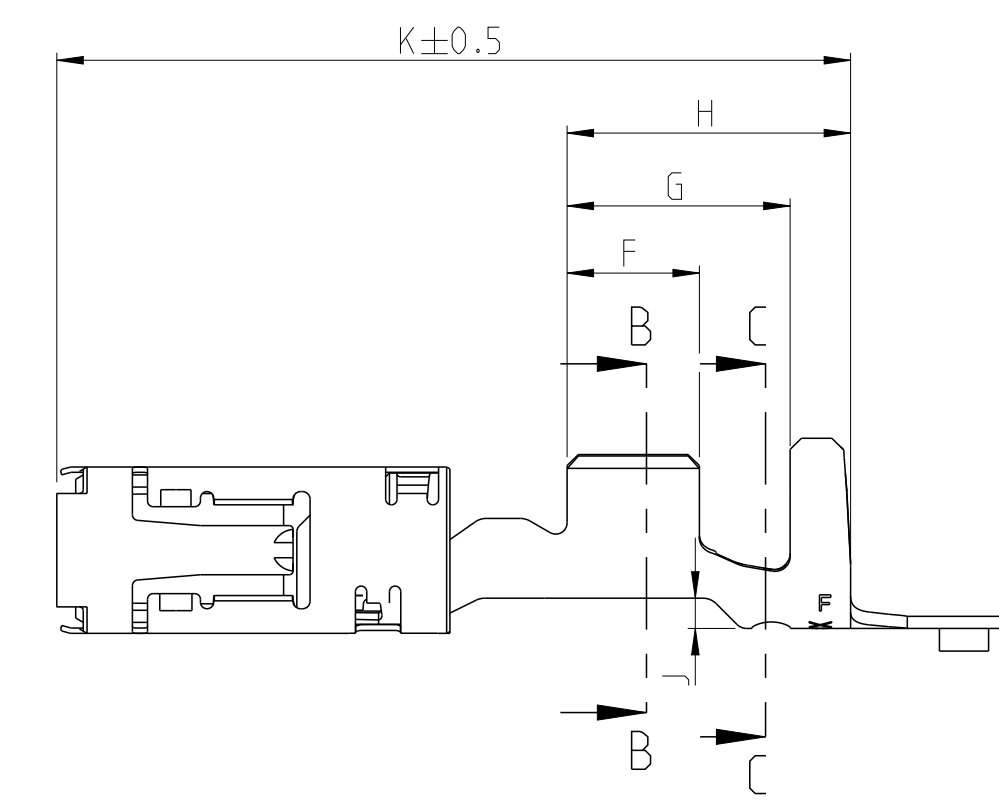


STANDARD CRIMP



ONLY FOR WIRE SIZE RANGE 4mm²
 Nur fuer Drahtgroessenbereich 4mm²

SINGLE WIRE SEAL
 Einzeldichtungssystem



REVISIONS				
P.	LTA	DESCRIPTION	DATE	APPV
C5		MATERIAL DESCRIPTION CHANGED TO X10CrNi18-8	06FEB2007	Frueh/Pfeil
C6		NEW CREO DRAWING CREATED/PN 1-2288092-3 added	16OCT2014	Ho. Leim
C7		TRANSMISSION FAILURE CORRECTED	3MAY2016	HO. LEIM
C8		PNs 967702-2 AND 967703-1 ARE OBSOLETE	07FEB2017	GH LEIM

- MATING PART SEE INTERFACE DRAWING
 TE-NO.: 114-18230-002
 Gegenstecker nach Ausfuehrungsvorschrift
 TE-Nr.: 114-18230-002
- ONLY FOR FLR-WIRE SEE DIN 7551.PART 6
 Nur fuer FLR-Leitungen nach DIN 72551, Teil 6

- 3 SURFACE:
 - PRE TIN PLATED 1 TO 3 µm
 - GOLD PLATED (ONLY CONTACT AREA)
 - SILVER PLATED 3 TO 5 µm (ONLY CONTACT AREA)
 Oberflaeche:
 - verzinkt 1 bis 3 µm
 - vergoldet (nur Kontaktzone)
 - versilbert 3 bis 5 µm (nur Kontaktzone)

- 4 GAUGE INSPECTION
 Lehrenpruefung

- 5 DETAILS OF DESIGN ARE LEFT TO MANUFACTURER
 Einzelheiten der Ausfuehrung bleiben dem Hersteller ueberlassen

- 6 ONLY GERMAN LANGUAGE VERSION SHALL BE BINDING
 Massgebend ist der deutsche Text

- 7 DIFFERENT SHAPE AND NUMBER OF SERRATIONS POSSIBLE
 Unterschiedliche Form und Anzahl der Rillen moeglich

- 8 SILVER PLATED VERSION FOR INCREASED LIMIT TEMPERATURE
 Versilberte Version fuer erhoehete Grenztemperatur

VERSION Ausfuehrung	ORDER-NO. STRIP-FORM Bestell-Nr. Bandware	REV	BODY MATERIAL Werkstoff	SPRING SURFACE Oberflaeche	WIRE SIZE RANGE Leiter- quer- schnitt mm ²	CRIMP DIMENSIONS / Crimpabmessungen mm										WEIGHT Gewicht g	SINGLE WIRE SEAL Einzeldichtung TE CONNECTIVITY NO.	DEAD END PLUG Blindstopfen TE CONNECTIVITY NO.	APPLICATION TOOLS Verarbeitungswerkzeuge				
						A	B	D _{DR}	C	E	D _{ISO}	F	G	H	J					K			
SINGLE WIRE SEAL / Einzeldichtung	967543-3	C	X10CrNi18-8	SILVER PLATED versilbert	1.5 - 2.5	3.6	3.8	1.7	5.0	5.0	3.5	3.5	5.9	7.5	0.8	21	0.55	828905-1	828922-1	SEE APPLICATION SPECIFICATION 114-18144-0 siehe Verarbeitungsspezifikation 114-18144-0			
	967543-2	B		GOLD PLATED vergoldet	0.5 - 1.0	2.5	2.7	1.2	4.8	4.8	3.3	3	5.4	7	0.75	21	0.51	828904-1	828922-1				
	967543-1	F		PRE TIN PLATED verzinkt		0.35	2.1	2.1	0.8	4.5	4.5	3.2	2.5	4.9	6.5	0.75	21	0.49	828904-1		828922-1		
	967542-2	B		GOLD PLATED vergoldet			4	4.5	4.8	2.3	5.6	5.5	3.4	4.3	5.8	8.5	0.4	22.1	0.60		-	-	
	967542-1	F		PRE TIN PLATED verzinkt				1.5 - 2.5	3.6	3.8	1.7	4.6	4.8	2.6	3.5	5.1	6.7	0.3	20.2		0.54	-	-
	967541-1	B		PRE TIN PLATED verzinkt					0.5 - 1.0	2.5	2.7	1.2	3.3	3.5	1.8	3	4.6	6.2	0.2		20.2	0.49	-
1-2288092-3	A	SILVER PLATED versilbert	0.5 - 1.0	2.5						2.7	1.2	3.3	3.5	1.8	3	4.6	6.2	0.2	20.2	0.49	-	-	
967543-1	D	PRE TIN PLATED verzinkt		0.5 - 1.0	2.5					2.7	1.2	3.3	3.5	1.8	3	4.6	6.2	0.2	20.2	0.49	-	-	
967542-2	B	GOLD PLATED vergoldet			0.5 - 1.0	2.5				2.7	1.2	3.3	3.5	1.8	3	4.6	6.2	0.2	20.2	0.49	-	-	
967702-1	D	PRE TIN PLATED verzinkt				0.5 - 1.0	2.5			2.7	1.2	3.3	3.5	1.8	3	4.6	6.2	0.2	20.2	0.49	-	-	

OBSELETE
 OBSELETE

THIS DRAWING IS A CONTROLLED DOCUMENT.		OWN S. Blidar	12.10.98	TE Connectivity PRODUCT GROUP DRAWING FOR Tabellenzeichnung fuer 2.8mm SENSOR FLAT CONTACT, TYPE I
DIMENSIONS: mm		CHK G. Hotea	12.10.98	
TOLERANCES UNLESS OTHERWISE SPECIFIED: ±0.2		APVD J. Woller	12.10.98	NAME
MATERIAL		WEIGHT		SIZE A1
FINISH		Customer Drawing		SCALE 5:1
REVISIONS		SHEET 1 OF 1		REV C8

X-ON Electronics

Largest Supplier of Electrical and Electronic Components

Click to view similar products for [Automotive Connectors](#) category:

Click to view products by [TE Connectivity](#) manufacturer:

Other Similar products are found below :

[003-018-000](#) [60403001](#) [60993906-B](#) [M902-2131](#) [M902-2161](#) [72.330.1035.1](#) [73.353.4028.0](#) [F119300-B](#) [F166900](#) [F258300-B](#) [F358300-B](#)
[F407400](#) [F444110](#) [F487000](#) [F509500B-B](#) [827153-1](#) [8N1515-32-24P](#) [9-1326729-8](#) [925474-1](#) [928905-1](#) [964562-4](#) [968782-1](#) [GT17SA-8DS-](#)
[HU](#) [98891-1012](#) [98947-1016](#) [12004147](#) [12004475-L](#) [12010290](#) [12010309-B](#) [12015454](#) [12020219-B](#) [12020308](#) [12041318-B](#) [12052225-L](#)
[12052466](#) [12059125](#) [12064869](#) [12004327-B](#) [12010503-B](#) [12015308](#) [12015384](#) [12015909](#) [1-21030-1](#) [12041254](#) [12041318](#) [12047946-B](#)
[12047957](#) [12047957-L](#) [12059473](#) [12066261](#)