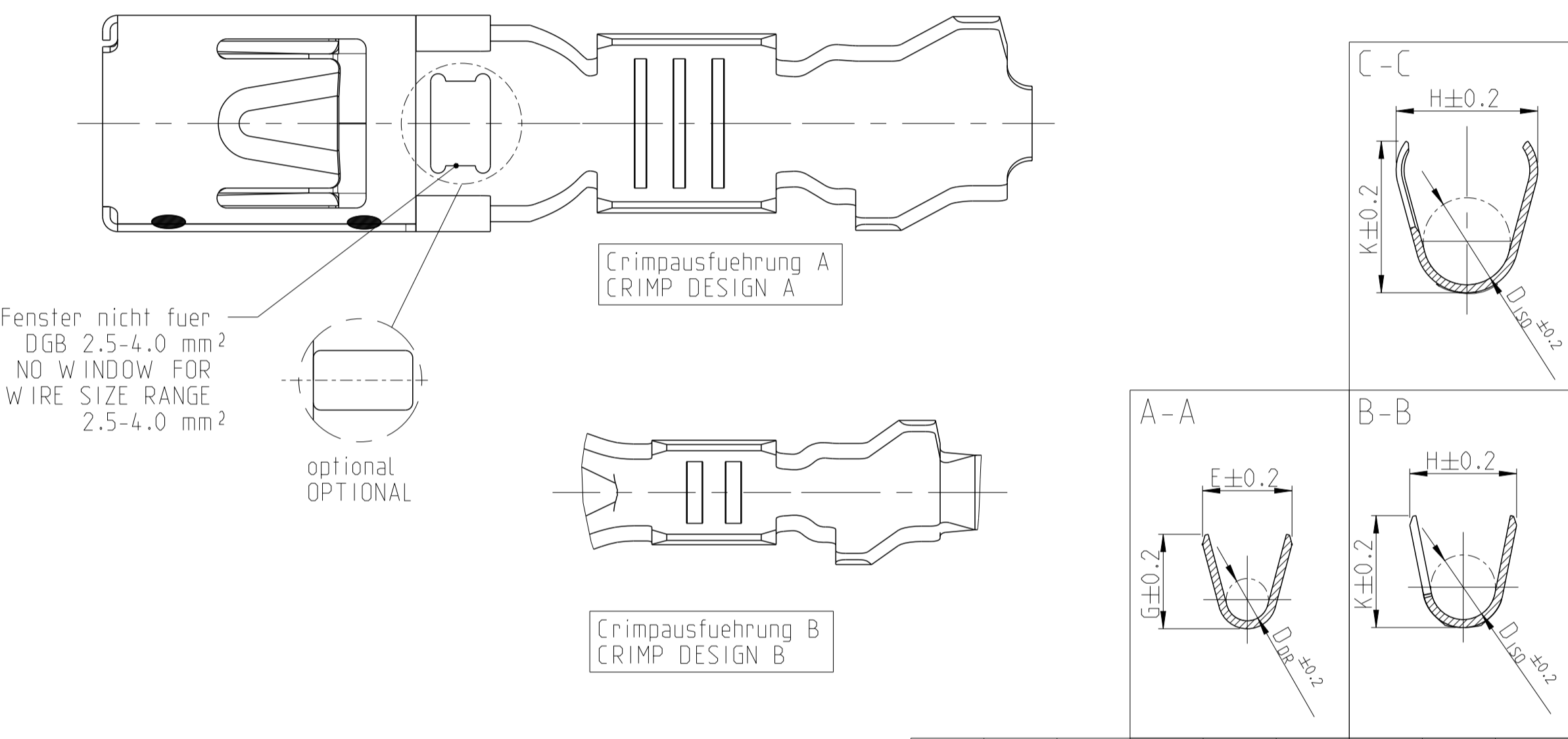
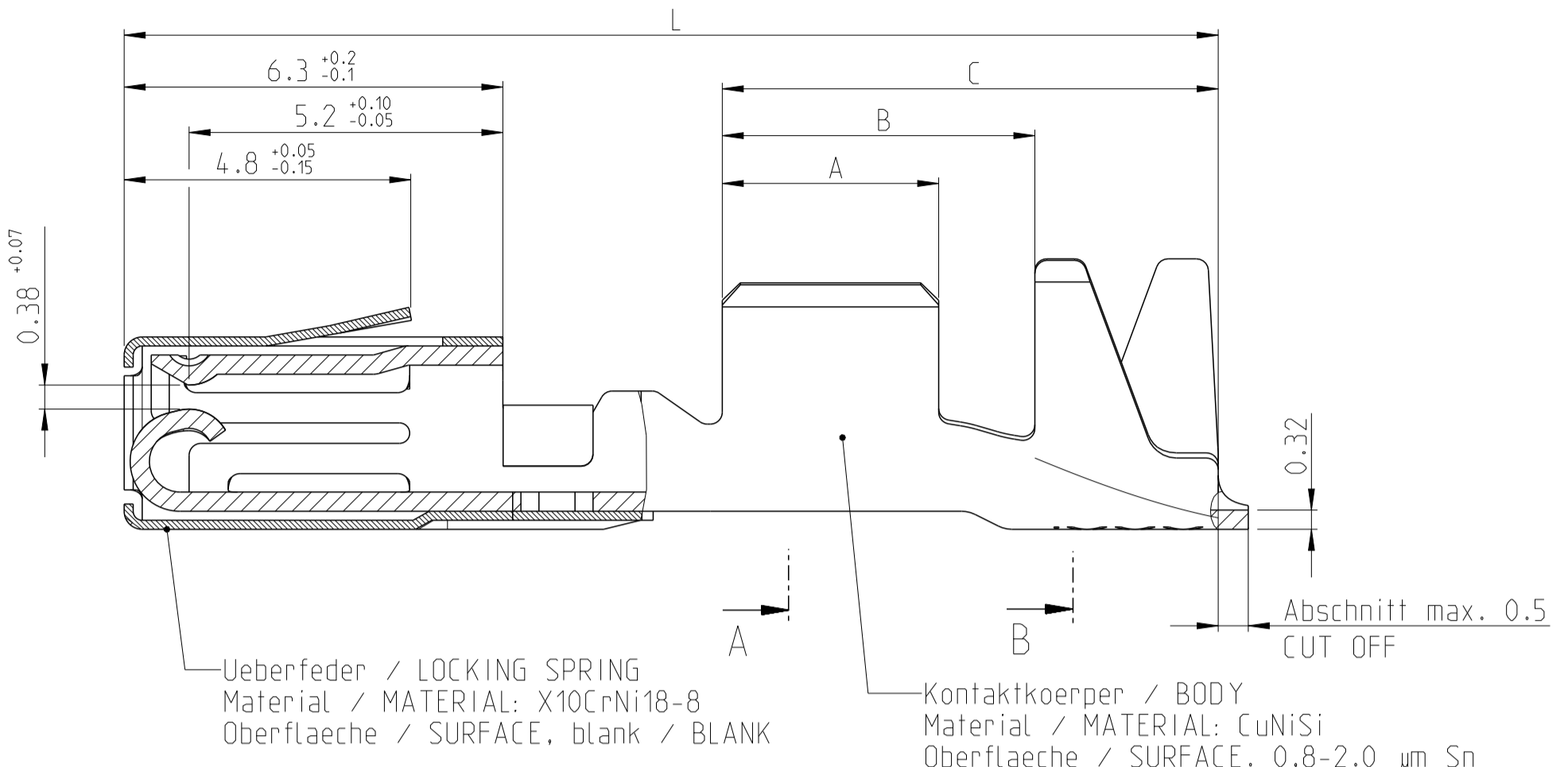


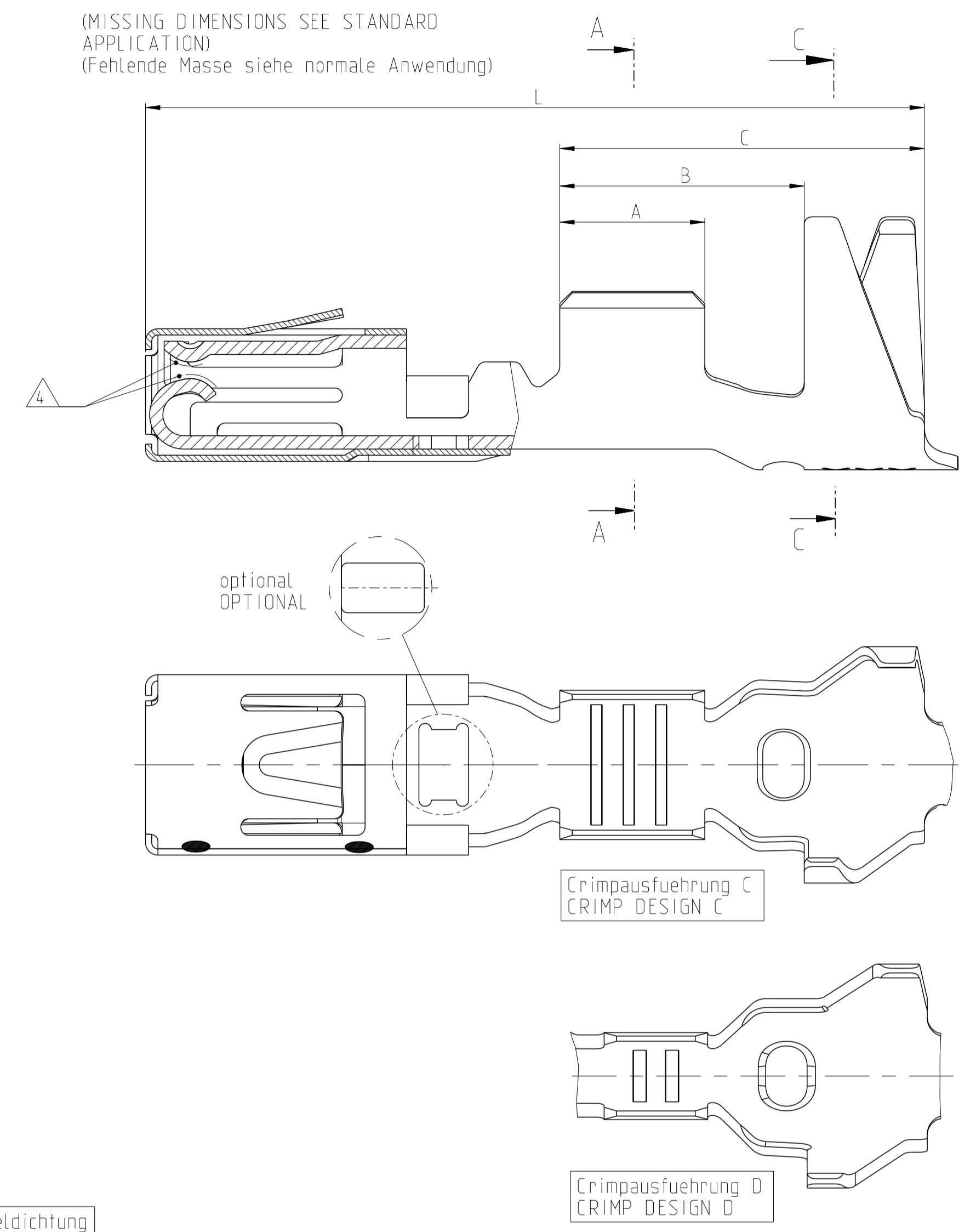
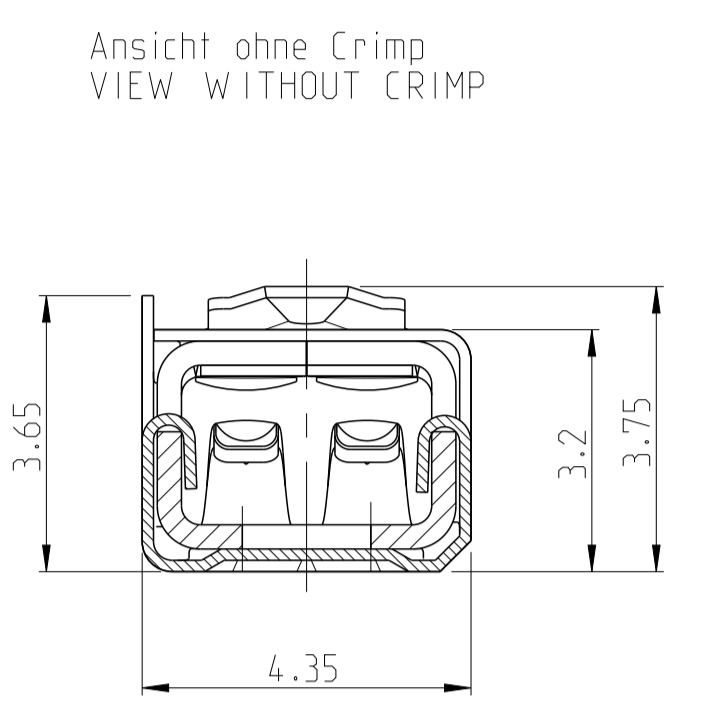
REVISIONS				
P.	LTN	DESCRIPTION	DATE	DMN APVD
B9		CRIMP DESIGN TYPE column in table added	08NOV2017	MAH. SCHI
B10		MATERIAL OF LOCKING SPRING CORRECTED	09OCT2019	BREN SCHI
B11		E-20-000779	15JAN2020	FRAN SCHI
B12		Updated general tolerance	22MAY2020	FRAN SCHI

Normale Anwendung
STANDARD APPLICATION



Einzelichtungssystem
SINGLE WIRE SEAL SYSTEM

(MISSING DIMENSIONS SEE STANDARD APPLICATION)
(Fehlende Masse siehe normale Anwendung)



SUPERSEDED BY		REV.	NOTE	Sn	VERSION	Drahtgroessenbereich WIRE SIZE RANGE [mm²]	Crimplängen CRIMP LENGTHS [mm]	Drahtcrimp WIRE CRIMP [mm]	Isolationscrimp INSULATION CRIMP [mm]	Kontaktlänge CONTACT LENGTH [mm]	Gramm GRAM	Gewicht WEIGHT	Verarbeitung APPLICATION	Crimpausführung CRIMP DESIGN	Bestell-Nr. ORDER NO.	Farbe COLOUR			
968075-5	968120-5	D	4	-	Einzelichtungssystem SINGLE WIRE SEAL SYSTEM	> 1.0-2.5	3.5	5.9	8.8	3.6	3.8	1.7	5.7	6.1	3.5	18.8	0.5	967609-1	gelb/YELLOW
968075-5	968119-4	D	6	-		> 0.5-1.0	3.0	5.4	8.3	2.5	2.7	1.2	5.5	5.9	3.3	18.8	0.5	967610-1	grau/GREY
968075-5	968119-2	D	-	X		0.35-0.5	2.5	4.9	7.8	2.1	2.1	0.8	5.4	5.7	3.2	18.8	0.5		
968075-5	968680-5	B	4	-	normale Anwendung STANDARD APPLICATION	> 2.5-4.0	4.0	5.9	9.3	4.5	4.7	2.3	5.4	5.6	3.2	19.6	0.5		
968075-5	968680-2	B	-	X		> 1.0-2.5	3.5	5.2	8.25	3.6	3.8	1.7	4.3	4.5	2.6	18.2	0.5		
968075-5	1355950-5	-	4	-		> 0.5-1.0	3.0	4.6	7.0	2.5	2.7	1.2	3.2	3.4	1.8	18.2	0.5		
968075-5	1355950-4	A	6	-		0.35-0.5	2.5	3.7	5.8	2.1	2.1	0.8	2.9	2.9	1.4	18.2	0.5		
968075-5	1355950-3	B	8	-															
968075-5	968075-5	D	4	-															
968075-5	968075-4	A	6	-															
968075-5	968075-3	B	8	-															
968075-5	968075-2	D	-	X															
968075-5	968074-5	D	4	-															
968075-5	968074-2	D	-	X															
968075-5	968678-5	B	4	-															
968075-5	968678-2	B	-	X															

- NOTES
Bemerkungen
- SUITABLE FOR PIN CONTACT SEE DRAWING:
Passend zu Stiftkontakt:
TE: 1355933
 - FOR FLR-CONDUCTOR ACCORDING TO DIN 72551, PART 6 ONLY
Nur fuer FLR-Leitungen nach DIN 72551, Teil 6
 - DETAILS OF DESIGN ARE LEFT TO MANUFACTURER
Einzelheiten der Ausfuehrung bleiben dem Hersteller ueberlassen
- 4 MIN. 0.8µm Au OVER MIN. 1.2µm Ni
Min. 0.8µm Au ueber min. 1.2µm Ni
- 5 2-4µm ELECTROPLATED SILVER
2-4µm galvanisch Silber
- 6 MIN. 0.8µm PdNi OVER MIN. 1.2µm Ni
Min. 0.8µm PdNi ueber min. 1.2µm Ni
- 7 FOR INSPECTION PURPOSES ONLY
Nur fuer Pruefzwecke
- 8 MIN. 2.8-5.0µm Ag OVER MIN. 0.2-1.0µm Ni
Min. 2.8-5.0µm Ag ueber min. 0.2-1.0µm Ni

THIS DRAWING IS A CONTROLLED DOCUMENT. DMN S.Garcia 22MAY2000
CHK R.Jetter 22MAY2000

DIMENSIONS: mm TOLERANCES UNLESS OTHERWISE SPECIFIED: DIN 6930-2-mH

MATERIAL: - FINISH: -

TE Connectivity
MICRO POWER QUADLOK BUCHSENKONTAKT
TABLE SOCKET CONTACT

SIZE: A1 CAGE CODE: 00779 DRAWING NO: 114-1814-1-1 RESTRICTED TO: -
SCALE: 5:1 SHEET: 1 OF 1

X-ON Electronics

Largest Supplier of Electrical and Electronic Components

Click to view similar products for [Automotive Connectors](#) category:

Click to view products by [TE Connectivity](#) manufacturer:

Other Similar products are found below :

[003-018-000](#) [60403001](#) [60993906-B](#) [M902-2131](#) [M902-2161](#) [72.330.1035.1](#) [73.353.4028.0](#) [F119300-B](#) [F166900](#) [F258300-B](#) [F358300-B](#)
[F407400](#) [F444110](#) [F487000](#) [F509500B-B](#) [827153-1](#) [8N1515-32-24P](#) [9-1326729-8](#) [925474-1](#) [928905-1](#) [964562-4](#) [968782-1](#) [GT17SA-8DS-](#)
[HU](#) [98891-1012](#) [98947-1016](#) [12004147](#) [12004475-L](#) [12010290](#) [12010309-B](#) [12015454](#) [12020219-B](#) [12020308](#) [12041318-B](#) [12052225-L](#)
[12052466](#) [12059125](#) [12064869](#) [12004327-B](#) [12010503-B](#) [12015308](#) [12015384](#) [12015909](#) [1-21030-1](#) [12041254](#) [12041318](#) [12047946-B](#)
[12047957](#) [12047957-L](#) [12059473](#) [12066261](#)