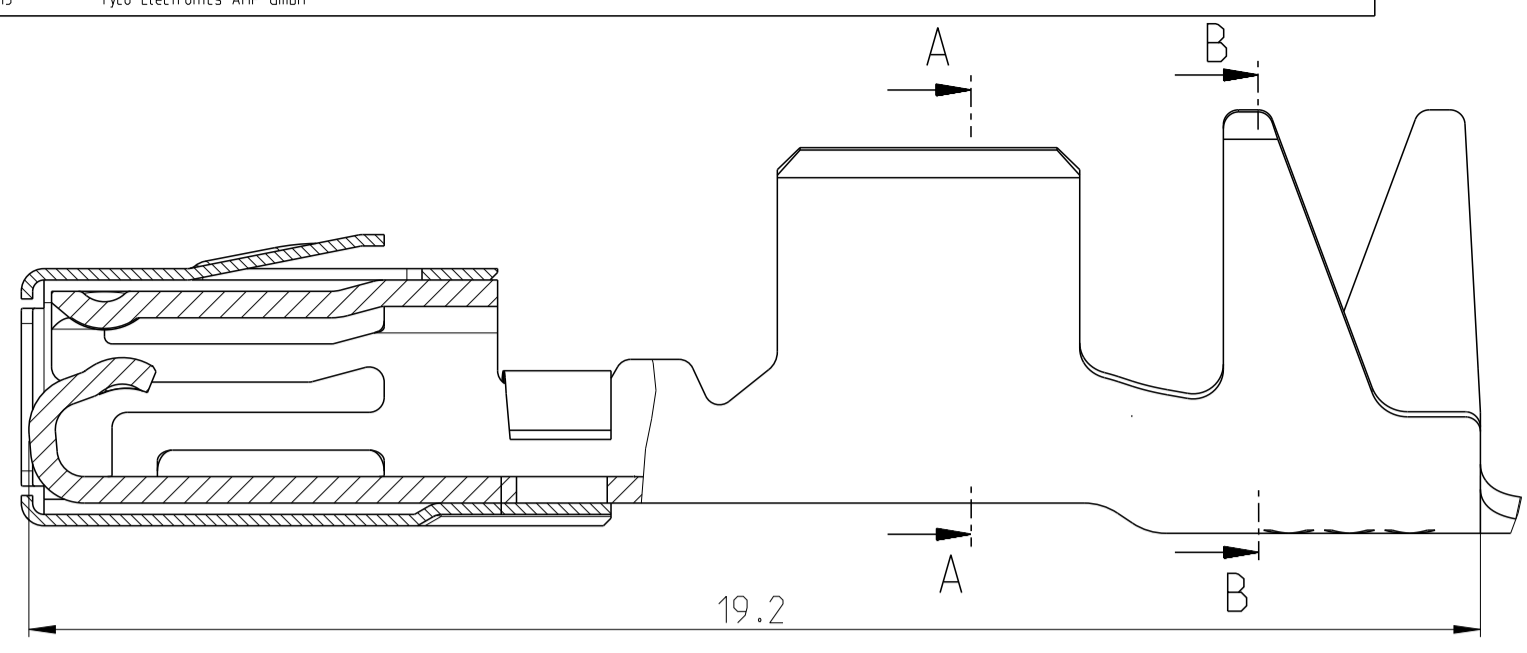


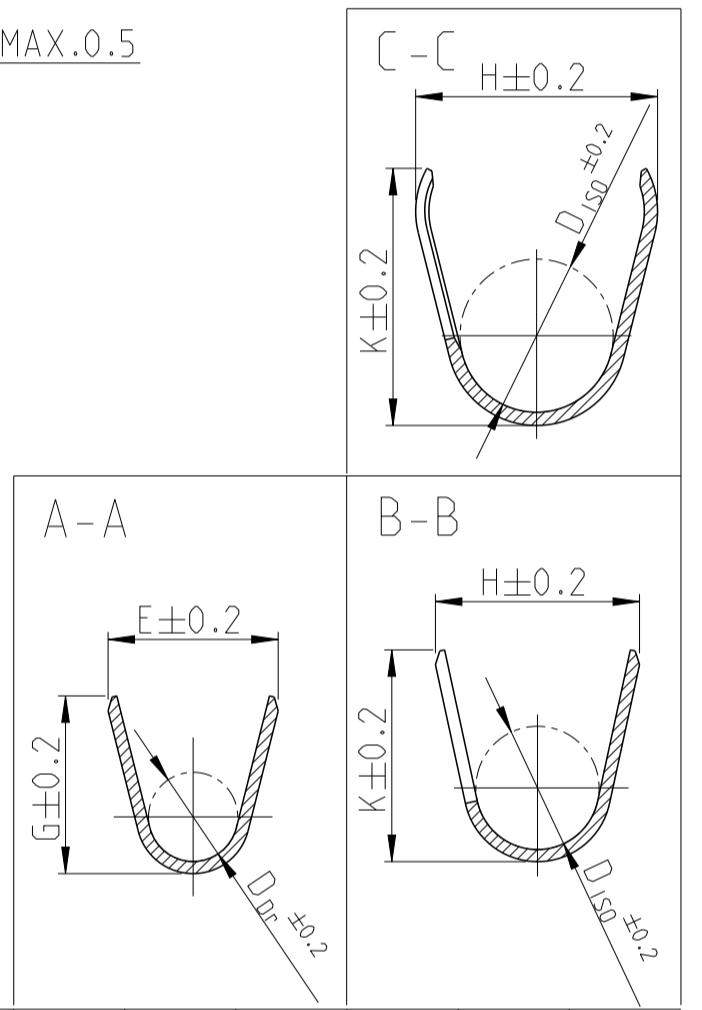
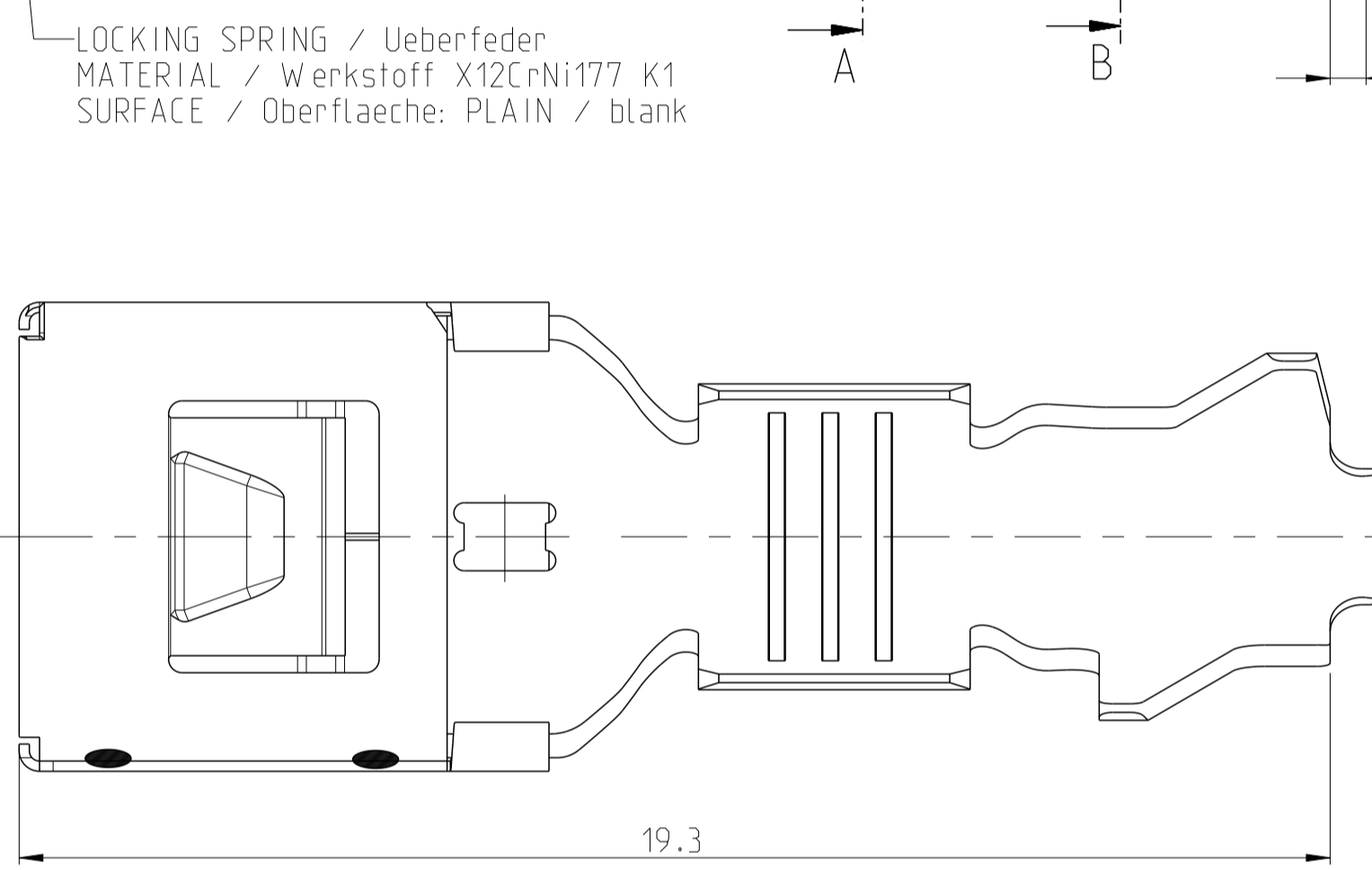
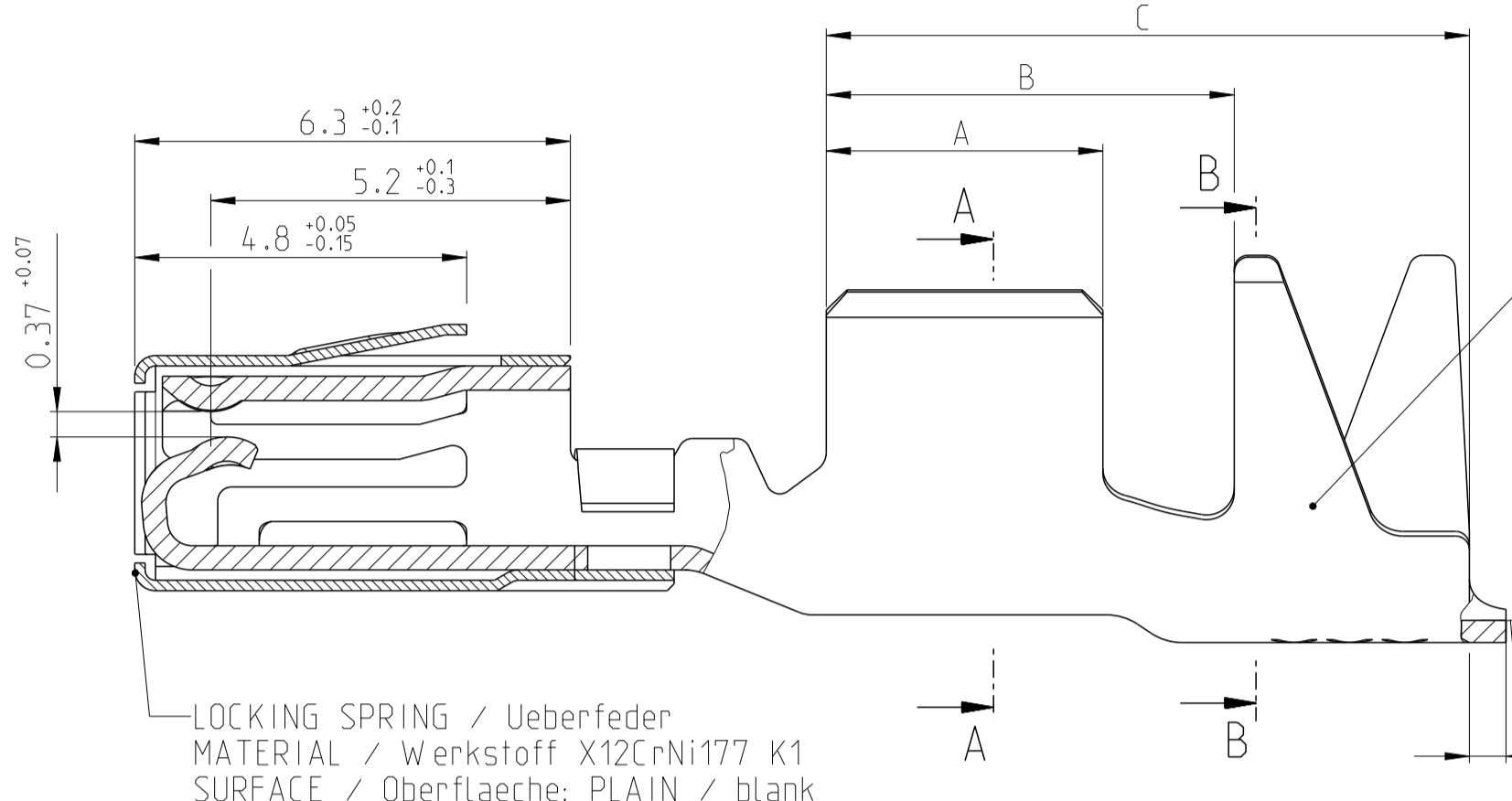
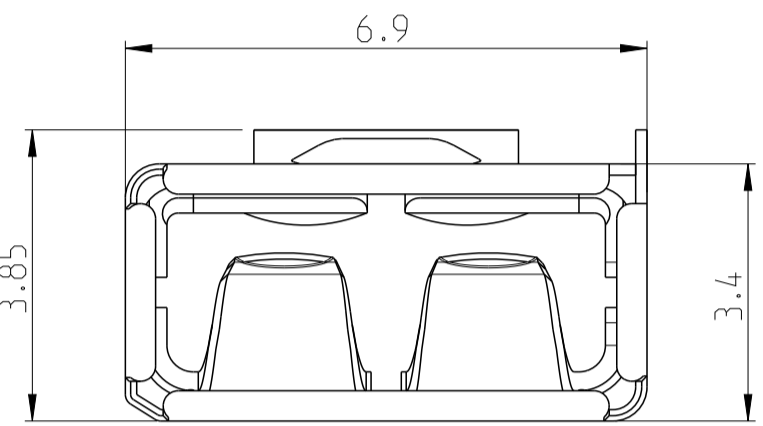
REVISIONS				
P.	LTN.	DESCRIPTION	DATE	APVD.
C7		ECR-14-015440	160C12014	MN Sche
C8		NEW VARIANTS ADDED. NEW 3D-DRAW. CREATED	07MAY2015	Mgh Schim



STANDARD APPLICATION
normale Anwendung

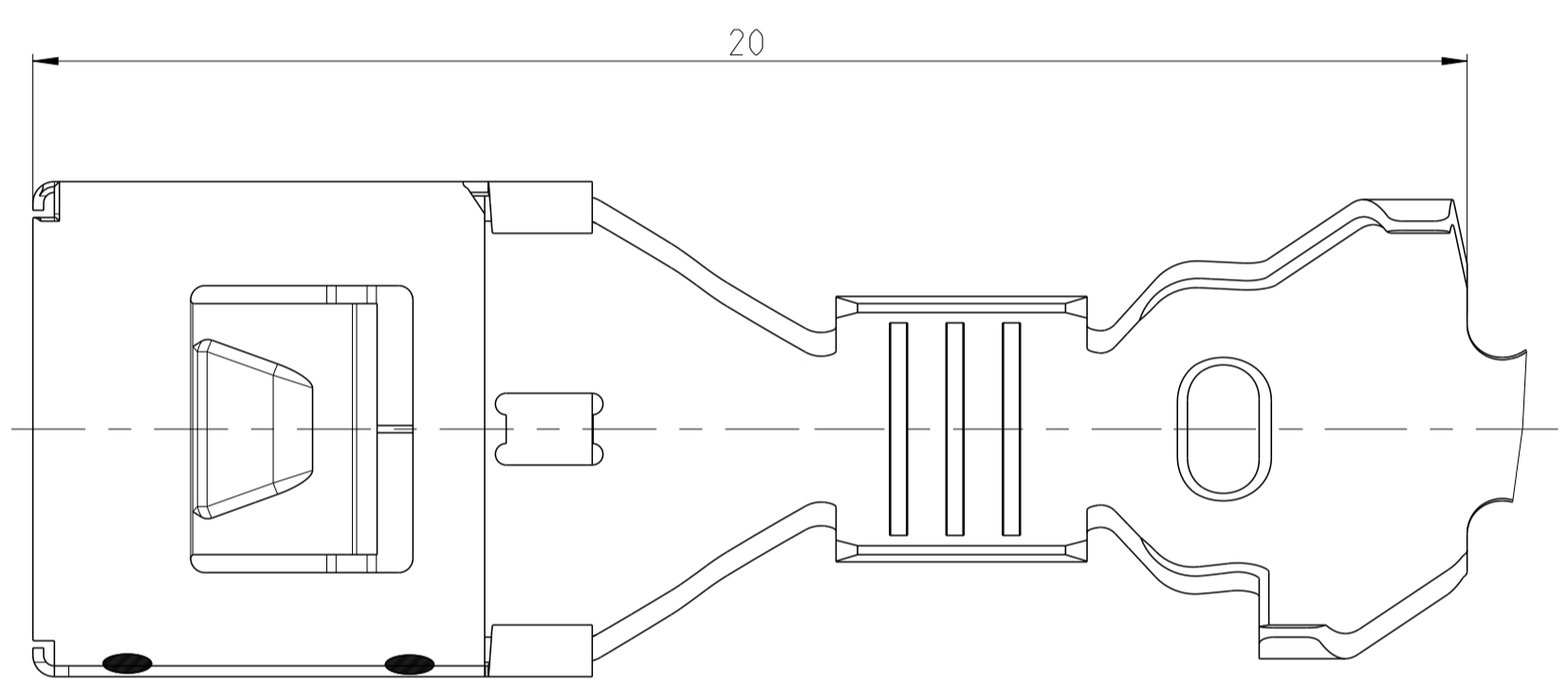
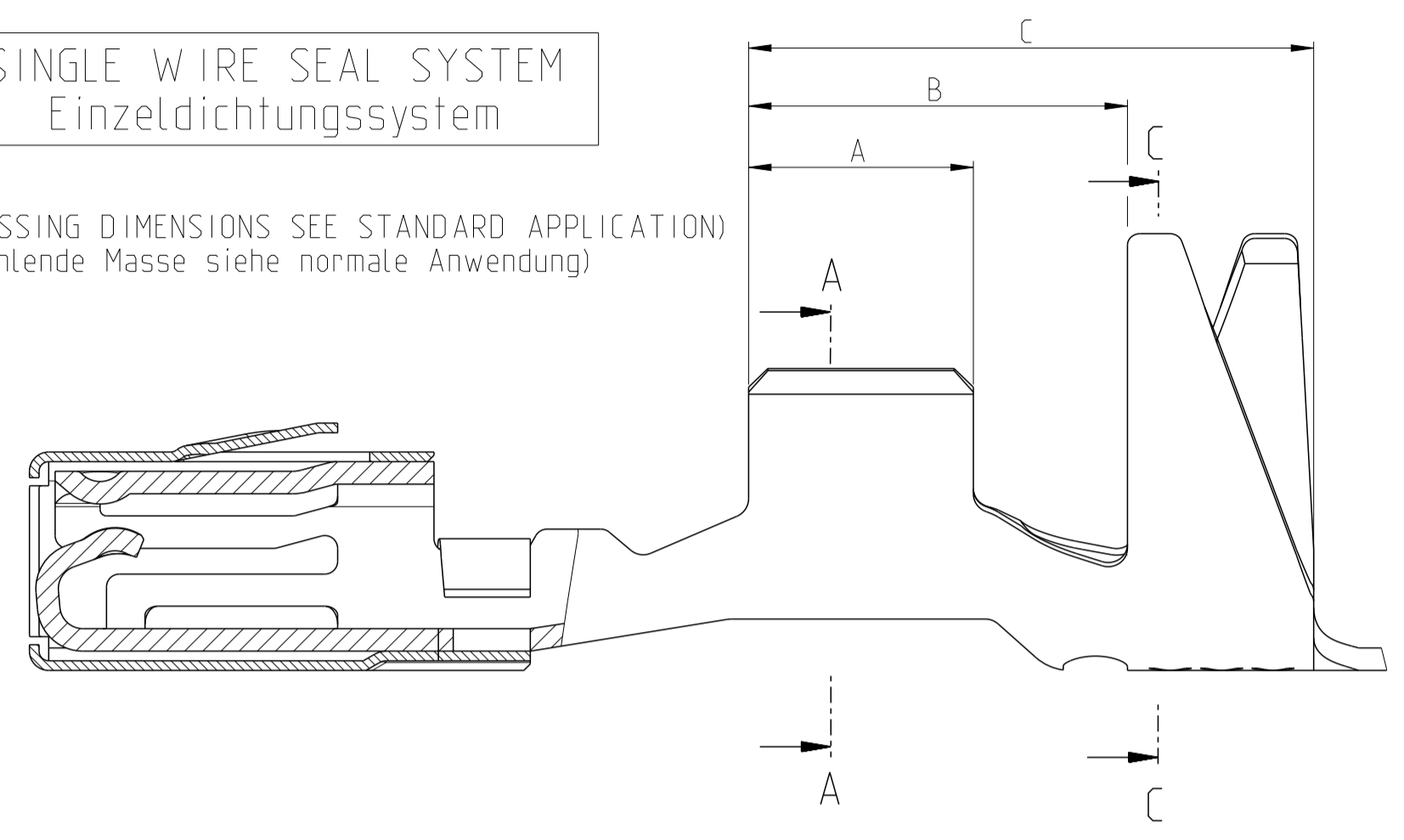
CONTACT BODY / Kontaktkoerper
MATERIAL / Werkstoff CuNiSi
SURFACE / Oberflaeche: 0.8-2.0µm Sn

(SHOWN WITHOUT CRIMPING AREA)
(ohne Crimpbereich dargestellt)



SINGLE WIRE SEAL SYSTEM
Einzeldichtungssystem

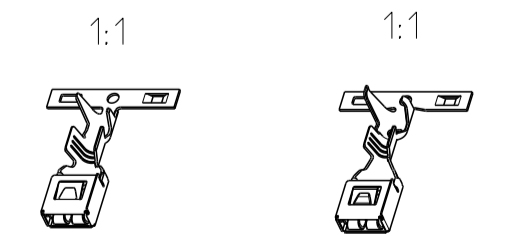
(MISSING DIMENSIONS SEE STANDARD APPLICATION)
(Fehlende Masse siehe normale Anwendung)



					A	B	C	T	E	G	D _{Dr}	H	K	D _{ISO}	SUITABLE SINGLE WIRE SEAL Zugehoerige Einzeldichtung			SUITABLE RUBBER PLUG Zugehoeriger Blindstopfen						
-	-	-	-	-																				
1719973-2	A	-	X	-	> 4.0-6.0	4.5	6.9	9.5	0.4	5.3	5.6	2.9	8.15	8.1	6.0	S	0.8	5.5	BLUE blau	1719972-1				
968122-4	F	-	-	⚠																				
968122-1	F	-	-	⚠	> 2.5-4.0	4.0	6.4	9.3	0.35	4.5	4.7	2.3	6.9	7.3	4.3	S	0.8	4.1	GREEN gruen	967608-1	transparent NATURAL	967652-1		
968122-2	F	-	X	-																				
968121-4	F	-	-	⚠	> 1.0-2.5	3.5	5.9	8.8	0.35	3.7	3.9	1.7	6.4	6.8	4.05	S	0.8	4.1	YELLOW gelb	967607-1				
968121-2	F	-	X	-																				
1670854-4	A	8.5	-	⚠	> 4.0-6.0	4.5	6.4	9.3	0.4	5.3	5.6	2.9	6.5	6.5	4.0	S	0.8							
1670854-2	A	8.5	X	-																				
-	-	-	-	-																				
1241602-2	C	6	⚠	X	> 2.5-4.0	4.0	5.9	9.3	0.35	4.5	4.7	2.3	5.4	5.6	3.2	S	0.8							
968073-4	A	7	-	⚠																				
968073-2	F	7	X	-																				
-	-	-	-	-																				
1241601-2	C	6	⚠	X	> 1.0-2.5	3.5	5.1	8.1	0.35	3.7	3.9	1.7	4.3	4.7	2.6	S	0.8							
968072-2	F	7	X	-																				
TE-Bestell-Nr. Bandware TE ORDER NO STRIP FORM	REV.	Raster	⚠	Sn Oberflaeche SURFACE	VERSION	Drahtgroessenbereich WIRE SIZE RANGE [mm²]	Crimplaengen CRIMP LENGTHS [mm]	Drahtcrimp WIRE CRIMP [mm]	Isolationscrimp INSULATION CRIMP [mm]	Art KIND	Gramm GRAM	Ø-Bund Einzel. BUNCH SEALING DIA [mm]	Farbe COLOUR	TE-Bestell-Nr. TE ORDER NO. 1452718	Farbe COLOUR	TE-Bestell-Nr. TE ORDER NO. 1452718								

NOTES
Bemerkungen

- ONLY THE GERMAN-LANGUAGE VERSION SHALL BE BINDING
Massgebend ist der deutsche Text
 - SUITABLE FOR PIN CONTACT SEE DRAWING:
Passend zu Stiftkontakt:
TE: 1241639
 - FOR FLR-CONDUCTOR ACCORDING TO DIN 72551, PART 6 ONLY
Nur fuer FLR-Leitungen nach DIN 72551, Teil 6
 - DETAILS OF DESIGN ARE LEFT TO MANUFACTURER
Einzelheiten der Ausfuehrung bleiben dem Hersteller ueberlassen
- ⚠ PITCH SEE DRAWING FOR CONNECTOR
(NOTE ACCORDING CONTACTS)
Raster siehe Zeichnung fuer Steckverbinder
(Bemerkung zugehoerige Kontakte)
- ⚠ PITCH 6, NOT FOR NEW APPLICATIONS
Raster 6, nicht fuer Neuanwendung (ab Jan 2003)
- ⚠ 2-4 µm ELECTROPLATED SILVER
2-4 µm galvanisch Silber
- ⚠ MIN. 0.8 µm PdNi OVER MIN. 1.2 µm Ni
Min. 0.8 µm PdNi ueber min. 1.2 µm Ni



THIS DRAWING IS A CONTROLLED DOCUMENT.		OWN M. STEIN	06SEP2001	TE Connectivity Power Quadlok Buchsenkontakt POWER QUADLOK SOCKET CONTACT	
DIMENSIONS: mm		CHK D. Kuempel	06SEP2001		
TOLERANCES UNLESS OTHERWISE SPECIFIED:		APVD		NAME	
1. PLC # n. ISO 8015 2. PLC # n. ISO 2768- 3. PLC # n. DIN 16901 4. PLC # n. DIN 16901		PRODUCT SPEC 108-18476-1		CAGE CODE DRAWING NO	
MATERIAL see drawing		FINISH see drawing		WEIGHT	
Customer Drawing		SCALE 10:1		SHEET 1 OF 1	

X-ON Electronics

Largest Supplier of Electrical and Electronic Components

Click to view similar products for [Automotive Connectors](#) category:

Click to view products by [TE Connectivity](#) manufacturer:

Other Similar products are found below :

[003-018-000](#) [60403001](#) [60993906-B](#) [M902-2131](#) [M902-2161](#) [72.330.1035.1](#) [73.353.4028.0](#) [F119300-B](#) [F166900](#) [F258300-B](#) [F358300-B](#)
[F407400](#) [F444110](#) [F487000](#) [F509500B-B](#) [827153-1](#) [8N1515-32-24P](#) [9-1326729-8](#) [925474-1](#) [928905-1](#) [964562-4](#) [968782-1](#) [GT17SA-8DS-](#)
[HU](#) [98891-1012](#) [98947-1016](#) [12004147](#) [12004475-L](#) [12010290](#) [12010309-B](#) [12015454](#) [12020219-B](#) [12020308](#) [12041318-B](#) [12052225-L](#)
[12052466](#) [12059125](#) [12064869](#) [12004327-B](#) [12010503-B](#) [12015308](#) [12015384](#) [12015909](#) [1-21030-1](#) [12041254](#) [12041318](#) [12047946-B](#)
[12047957](#) [12047957-L](#) [12059473](#) [12066261](#)