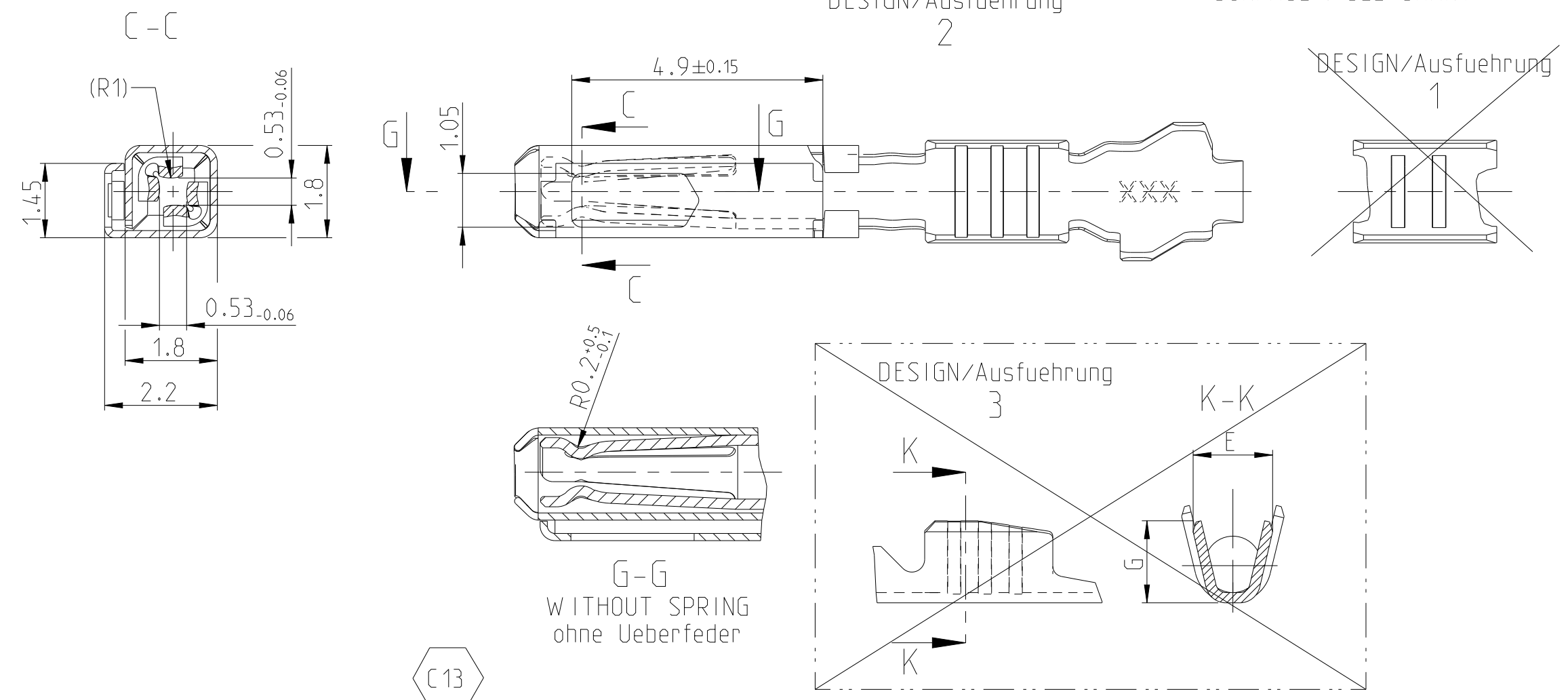
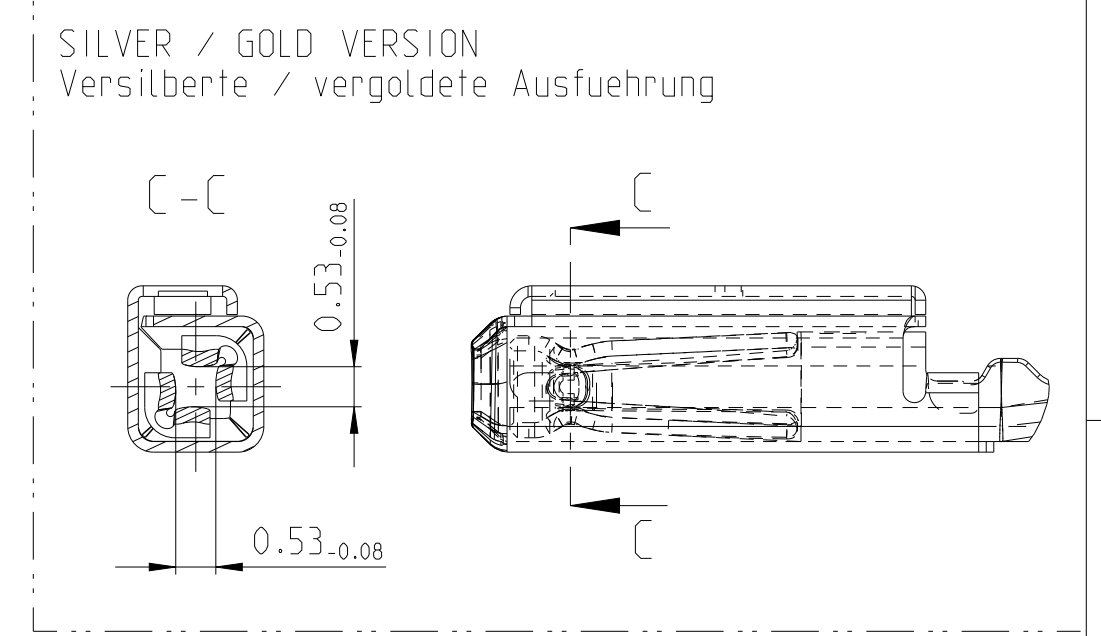
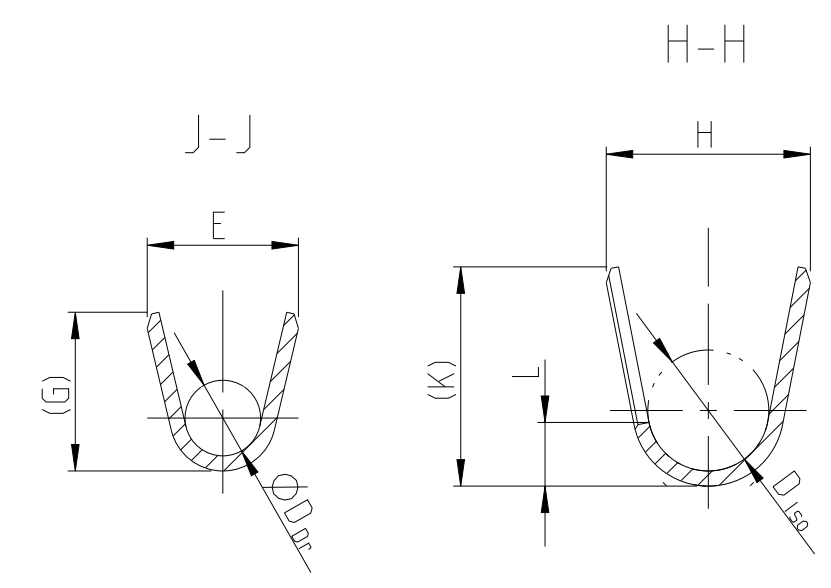
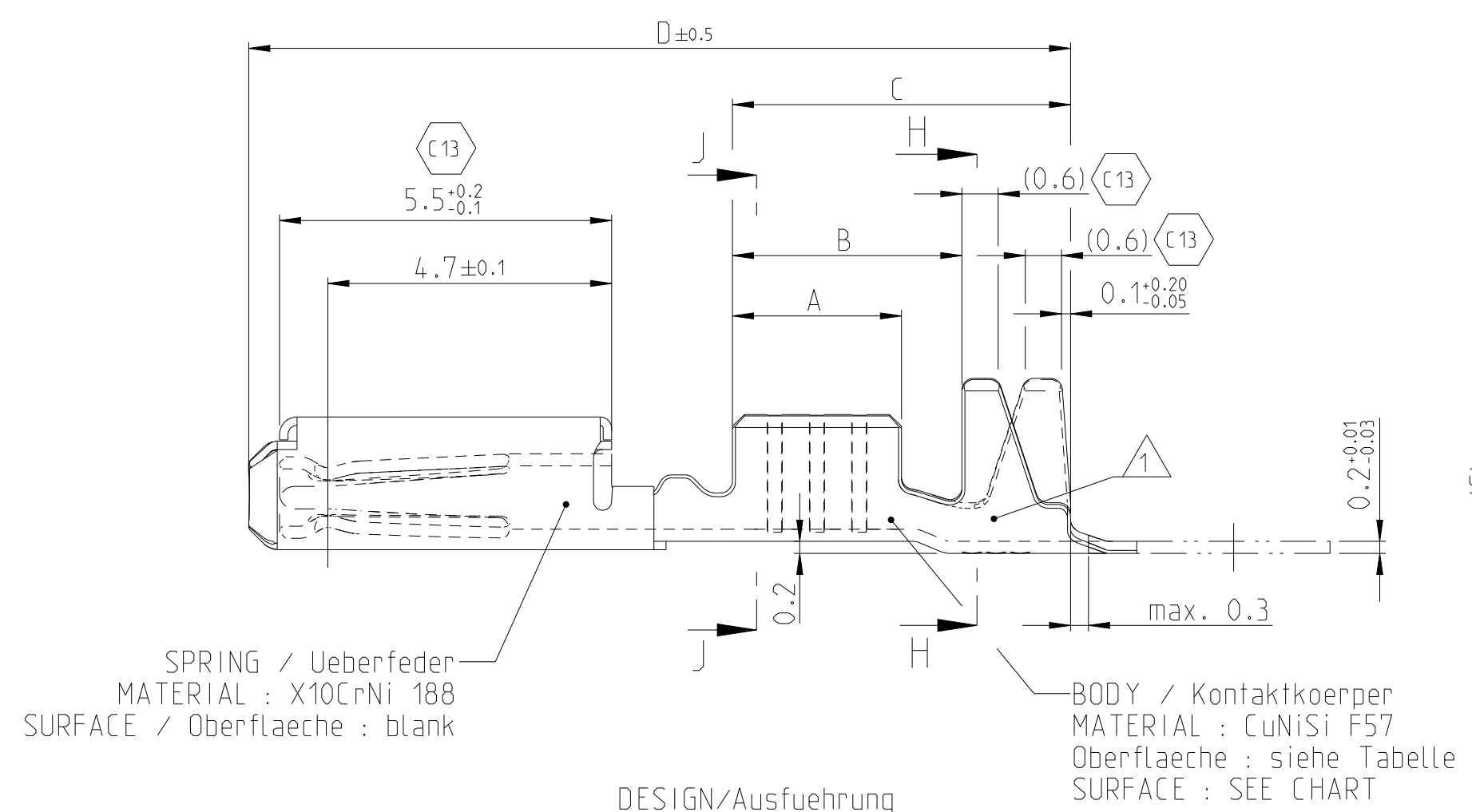


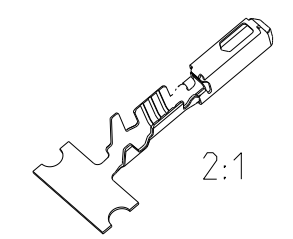
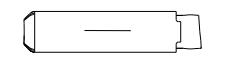
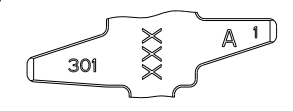
THIS DRAWING IS UNPUBLISHED. RELEASED FOR PUBLICATION 2009
 © COPYRIGHT 2009 ALL RIGHTS RESERVED.

REVISIONS				
P	LTR	DESCRIPTION	DATE	APVD
C10		NOTE 6 ADDED. ECR-15-007039	06MAY2015	Abr Brun
C11		See PCN E-19-011079	09DEC2019	MAH. BERG
C12		See PCN E-20-001102	03SEP2020	MAH. BERG
C13		See PCN E-20-016678	12AUG2021	FRAN BERG



NOTES
 Bemerkungen

- DATE-CODE (WEK/YEAR (E.G. WEEK NUMBER 30/ YEAR 2011)) AND TE REVISION (E.G. REV. A)
 Datumscode (Woche / Jahr, z.B. KW30/ Jahr 2011) und TE-Revision (z.B.Rev.A)
- SUITABLE FOR PIN CONTACT SEE DRAWING: TE: 929453
 Passend zu Stiftkontakt siehe Zeichnung: TE: 929453
- DETAILS OF DESIGN ARE LEFT TO MANUFACTURER
 Einzelheiten der Ausfuehrung bleiben dem Hersteller ueberlassen
- FOR FLR-CONDUCTOR ACCORDING TO DIN 72551-6 ONLY
 Nur fuer FLR-Leitung nach DIN 72551, Teil 6
- NOT FOR NEW APPLICATION
 nicht fuer Neuanwendung
- Bei doppelt fallenden Werkzeugen wird die erste Ueberfeder mit einer Kennzeichnung "-" versehen
 WITH DOUBLE OUT DIES THE FIRST SPRING WILL BE PROVIDED WITH AN INDICATION "-"



ODER NO. DESIGN	ODER NO. DESIGN	REV.	ODER NO. DESIGN	REV.	WIRE SIZE RANGE	SURFACE	LENGTH	WIRE CRIMP	INSU. CRIMP
Bestell-Nr. Ausfuehrung	Bestell-Nr. Ausfuehrung		Bestell-Nr. Ausfuehrung		DGB	Oberflaeche	Laenge	Drahtcrimp	Iso' crimp
2	3		1	5	mm ²		DIMENSIONS/ Abmessungen mm		
5-968221-6		A	7 968221-6	A	0.5-0.75	Ag	A = 2.8	E = 2	H = 2.7
5-968221-5		A	7 968221-5	C		Au	B = 3.8	G = 2	K = 2.9
5-968221-1		A	7 968221-1	C		Sn	C = 5.6	D _{Dr} = 1	L = 0.7
5-968220-6		A	7 968220-6	C	0.25-0.35	Ag	A = 2.5	E = 1.8	H = 2.3
5-968220-5		A	7 968220-5	C		Au	B = 3.6	G = 1.8	K = 2.3
5-968220-1		A	7 968220-1	C		Sn	C = 5.6	D _{Dr} = 0.8	L = 0.6
2208453-6		A			0.08-0.22	Ag	A = 2.5	E = 1.6	H = 2
2208453-5		A				Au	B = 3.7	G = 1.6	K = 1.9
2208453-1		A				Sn	C = 5.4	D _{Iso} = 1.1	D _{Iso} = 1.4

THIS DRAWING IS A CONTROLLED DOCUMENT.		DWN Abraham.G. 06AUG2003	TE Connectivity		
		CHK Kampmann.H. 07AUG2003			
DIMENSIONS: mm 		TOLERANCES UNLESS OTHERWISE SPECIFIED: 1 PLC ± 2 PLC ± ±0.2 3 PLC ± 4 PLC ANGLES ± 1° FINISH		NAME MQS CLEAN BODY Productgroup Drawing Socket Contact Produktgruppenzeichnung, Buchsenkontakt	
MATERIAL		APVD		SIZE CAGE CODE DRAWING NO A2 00779 C-1355900	
		PRODUCT SPEC 108-18030		RESTRICTED TO	
		APPLICATION SPEC 114-18021		WEIGHT -	
		CUSTOMER DRAWING		SCALE 10:1 SHEET 1 OF 1 REV. C13	

X-ON Electronics

Largest Supplier of Electrical and Electronic Components

Click to view similar products for [Automotive Connectors](#) category:

Click to view products by [TE Connectivity](#) manufacturer:

Other Similar products are found below :

[003-018-000](#) [60403001](#) [60993906-B](#) [M902-2131](#) [M902-2161](#) [M902-2344](#) [72.330.1035.1](#) [73.353.4028.0](#) [F119300-B](#) [F166900](#) [F258300-B](#)
[F358300-B](#) [F407400](#) [F444110](#) [F487000](#) [F509500B-B](#) [827153-1](#) [8N1515-32-24P](#) [9-1326729-8](#) [925474-1](#) [928905-1](#) [964562-4](#) [968782-1](#)
[GT17SA-8DS-HU](#) [98891-1012](#) [98947-1016](#) [12004147](#) [12004475-L](#) [12010290](#) [12010309-B](#) [12015454](#) [12020219-B](#) [12041318-B](#) [12052225-](#)
[L](#) [12052466](#) [12064869](#) [12004327-B](#) [12015308](#) [12015384](#) [12015909](#) [1-21030-1](#) [12041254](#) [12041318](#) [12047946-B](#) [12047957](#) [12047957-L](#)
[12059473](#) [12066261](#) [12110546](#) [12110546-B](#)