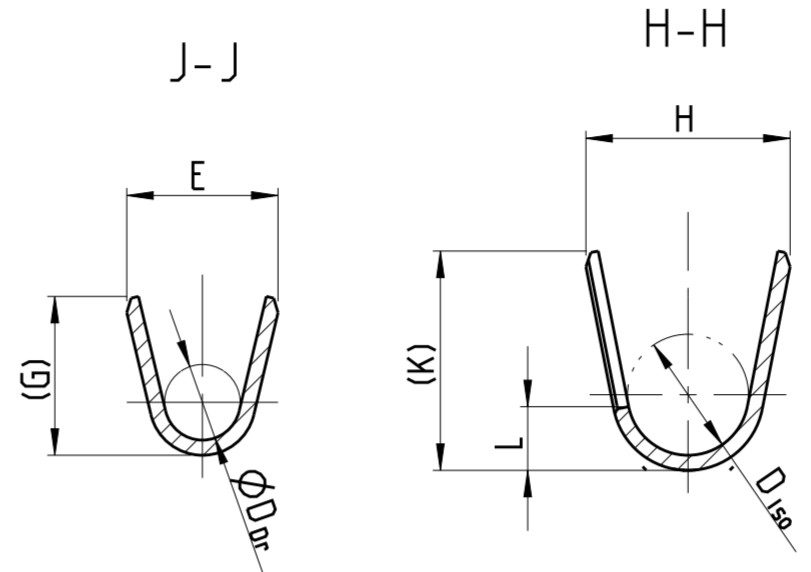
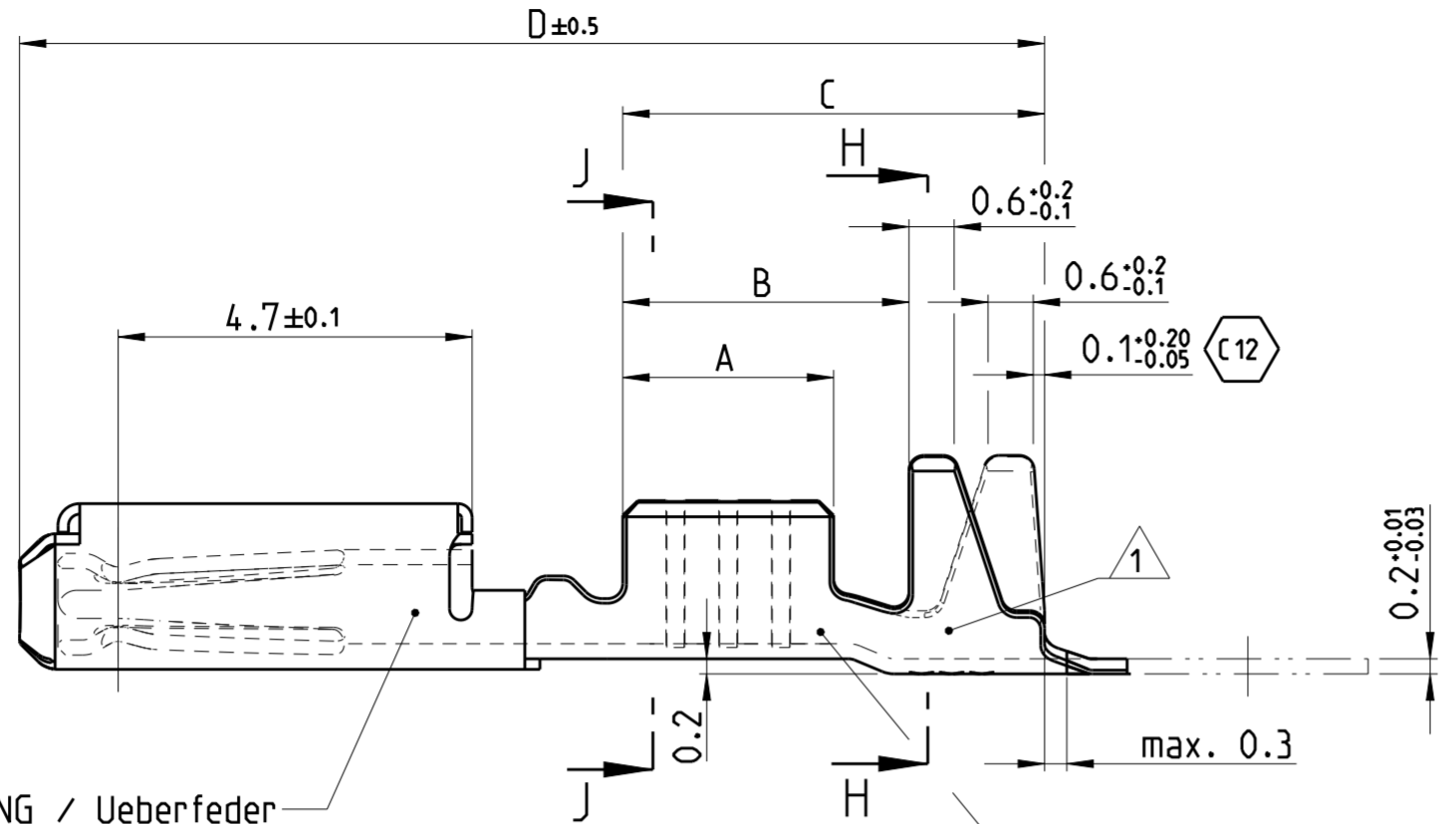
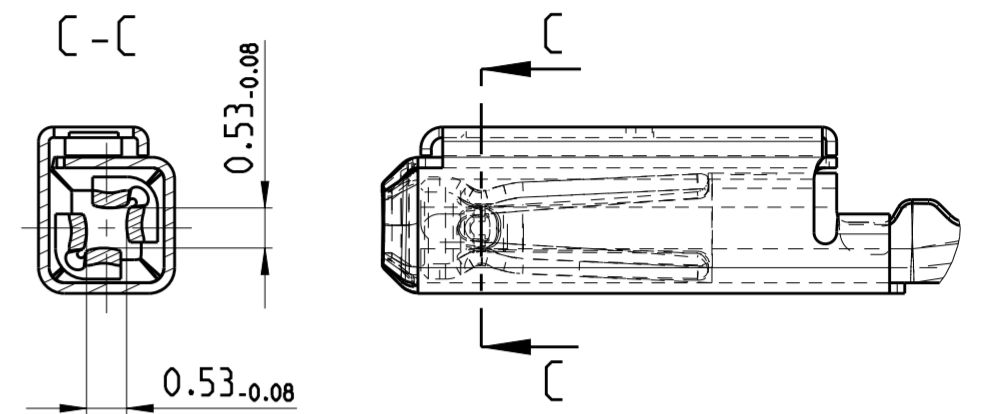


THIS DRAWING IS UNPUBLISHED. RELEASED FOR PUBLICATION 2009
 (C) COPYRIGHT 2009 ALL RIGHTS RESERVED.

LOC	DIST	REVISIONS					
A1	-	P	LTR	DESCRIPTION	DATE	DWN	APVD
		C9		ECR-13-015135	26SEP2013	Abr	Brun
		C10		NOTE 6 ADDED. ECR-15-007039	06MAY2015	Abr	Brun
		C11		See PCN E-19-011079	09DEC2019	MAH.	BERG
		C12		See PCN E-20-001102	03SEP2020	MAH.	BERG



SILVER / GOLD VERSION
 Versilberte / vergoldete Ausfuehrung

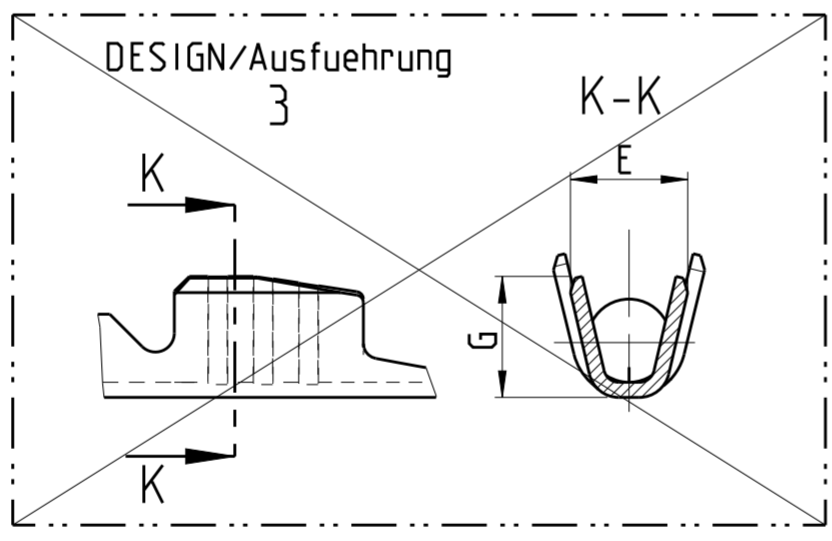
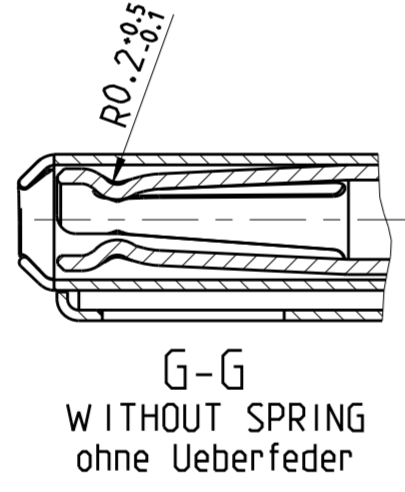
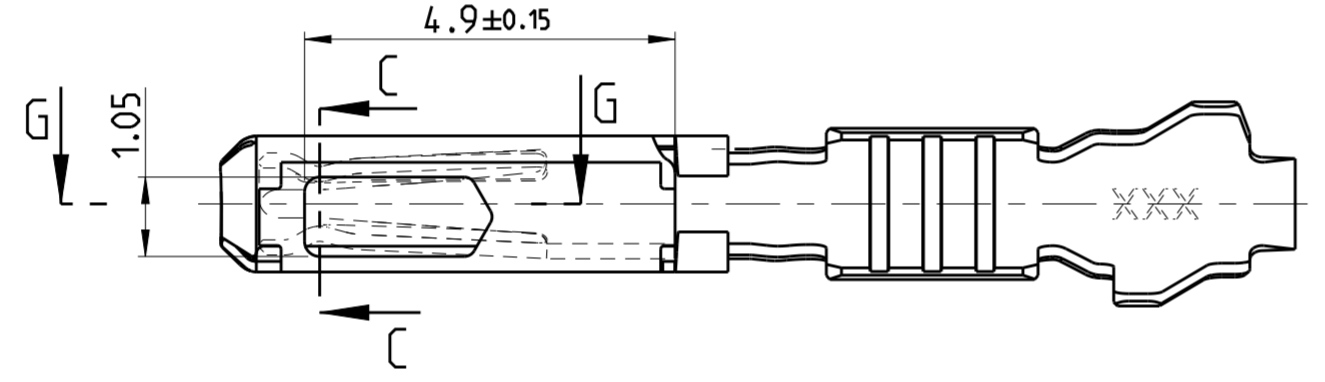
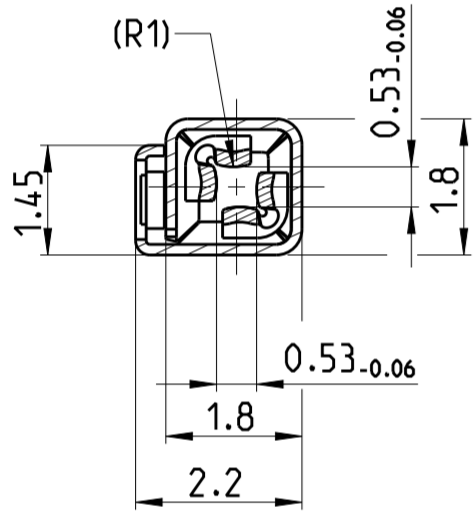


SPRING / Ueberfeder
 MATERIAL : X10CrNi 188
 SURFACE / Oberflaeche : blank

BODY / Kontaktkoerper
 MATERIAL : CuNiSi F57
 Oberflaeche : siehe Tabelle
 SURFACE : SEE CHART

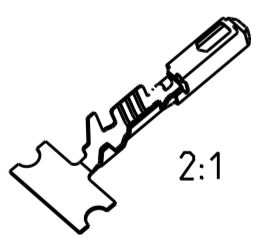
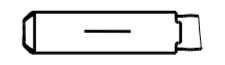
DESIGN/Ausfuehrung 2

DESIGN/Ausfuehrung 1



NOTES
 Bemerkungen

- DATE-CODE (WEK/YEAR (E.G. WEEK NUMBER 30/ YEAR 2011)) AND TE REVISION (E.G. REV. A)
 Datumscode (Woche / Jahr, z.B. KW30/ Jahr 2011) und TE-Revision (z.B.Rev.A)
- SUITABLE FOR PIN CONTACT SEE DRAWING: TE: 929453
 Passend zu Stiftkontakt siehe Zeichnung: TE: 929453
- DETAILS OF DESIGN ARE LEFT TO MANUFACTURER
 Einzelheiten der Ausfuehrung bleiben dem Hersteller ueberlassen
- FOR FLR-CONDUCTOR ACCORDING TO DIN 72551-6 ONLY
 Nur fuer FLR-Leitung nach DIN 72551, Teil 6
- NOT FOR NEW APPLICATION
 nicht fuer Neuanwendung
- Bei doppelt fallenden Werkzeugen wird die erste Ueberfeder mit einer Kennzeichnung "-" versehen
 WITH DOUBLE OUT DIES THE FIRST SPRING WILL BE PROVIDED WITH AN INDICATION "-"



ODER NO. DESIGN	ODER NO. DESIGN	REV.	ODER NO. DESIGN	REV.	WIRE SIZE RANGE	SURFACE	LENGTH	WIRE CRIMP	INSU. CRIMP
Bestell-Nr. Ausfuehrung	Bestell-Nr. Ausfuehrung		Bestell-Nr. Ausfuehrung		DGB	Oberflaeche	Laenge	Drahtcrimp	Iso' crimp
2	3		1 5		mm ²		DIMENSIONS/ Abmessungen mm		
5-968221-6		A	7 968221-6	A	0.5-0.75	Ag	A = 2.8 B = 3.8 C = 5.6 D = 13.7	E = 2 G = 2 D _{Dr} = 1	H = 2.7 K = 2.9 L = 0.7 D _{Iso} = 1.6
5-968221-5		A	7 968221-5	C		Au			
5-968221-1		A	968221-1	C		Sn			
5-968220-6		A	7 968220-6	C	0.25-0.35	Ag	A = 2.5 B = 3.6 C = 5.6 D = 13.7	E = 1.8 G = 1.8 D _{Dr} = 0.8	H = 2.3 K = 2.3 L = 0.6 D _{Iso} = 1.4
5-968220-5		A	7 968220-5	C		Au			
5-968220-1		A	7 968220-1	C		Sn			
2208453-6		A			0.08-0.22	Ag	A = 2.5 B = 3.7 C = 5.4 D = 13.7	E = 1.6 G = 1.6	H = 2 K = 1.9 D _{Iso} = 1.1
2208453-5		A				Au			
2208453-1		A				Sn			

THIS DRAWING IS A CONTROLLED DOCUMENT. DWN Abraham.G. 06AUG2003
 CHK Kampmann.H. 07AUG2003

STE TE Connectivity

NAME: MQS CLEAN BODY
 Productgroup Drawing Socket Contact
 Produktgruppenzeichnung, Buchsenkontakt

PRODUCT SPEC: 108-18030
 APPLICATION SPEC: 114-18021

SIZE: A2 CAGE CODE: 00779 DRAWING NO: C-1355900

WEIGHT: -

CUSTOMER DRAWING SCALE: 10:1 SHEET: 1 OF 1 REV: C12

X-ON Electronics

Largest Supplier of Electrical and Electronic Components

Click to view similar products for [Automotive Connectors](#) category:

Click to view products by [TE Connectivity](#) manufacturer:

Other Similar products are found below :

[003-018-000](#) [600858](#) [60403001](#) [60993906-B](#) [60993913-B](#) [629515004020001](#) [M83723/71R1808N L/C](#) [M902-2131](#) [M902-2161](#) [M902-2344](#)
[72.330.1035.1](#) [73.353.4028.0](#) [F118010](#) [F119300-B](#) [F132210](#) [F166900](#) [F180100](#) [F258300](#) [F258300-B](#) [F294300-B](#) [F339100](#) [F339700](#)
[F358300-B](#) [F374110](#) [F407400](#) [F412210](#) [F444110](#) [F487000](#) [F495100](#) [F500900-B](#) [F509500B-B](#) [770444-1](#) [827153-1](#) [881735-1](#)
[8N1515-32-24P](#) [9-1326729-8](#) [925467-1](#) [925474-1](#) [928905-1](#) [936398-2](#) [964562-4](#) [964731-2](#) [968782-1](#) [GT17SA-8DS-HU](#) [GT17VS-10DP-](#)
[5.2CF](#) [98315-0001](#) [98315-0010](#) [98891-1012](#) [98895-2014](#) [98936-1039](#)