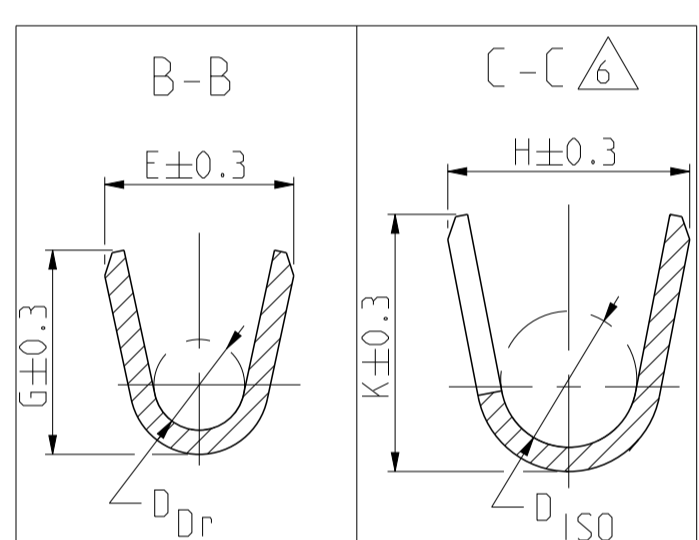
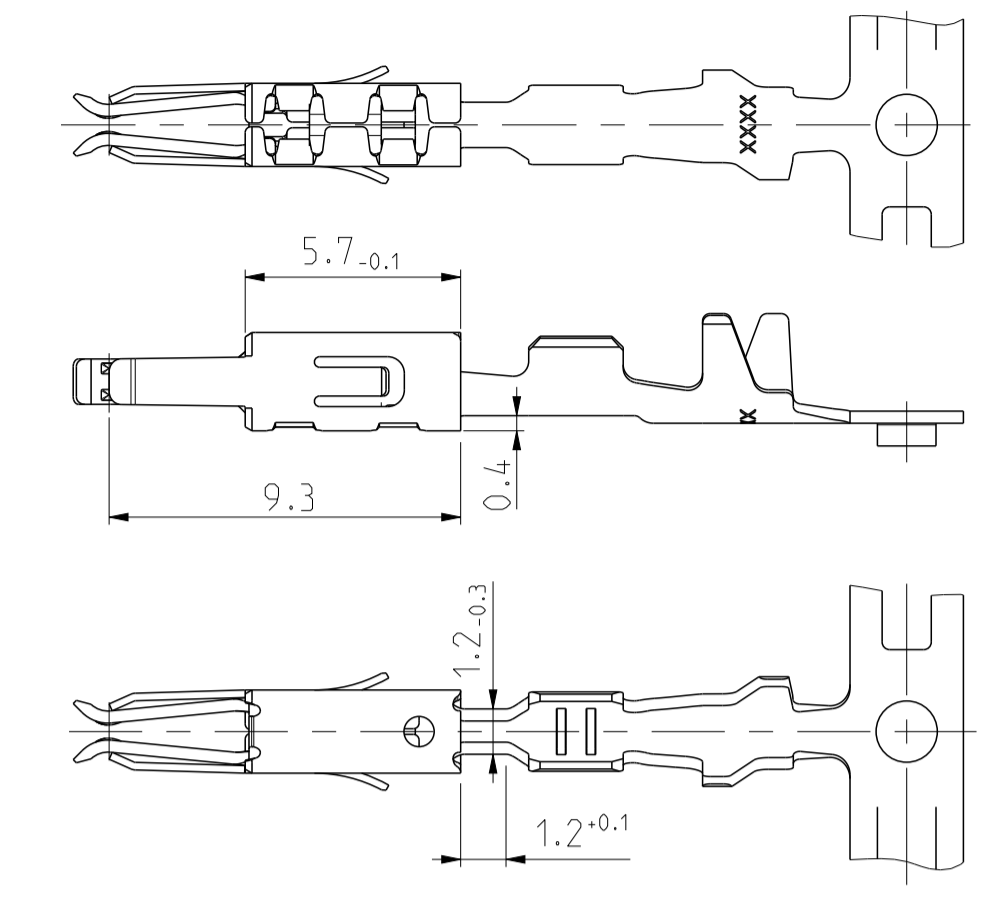
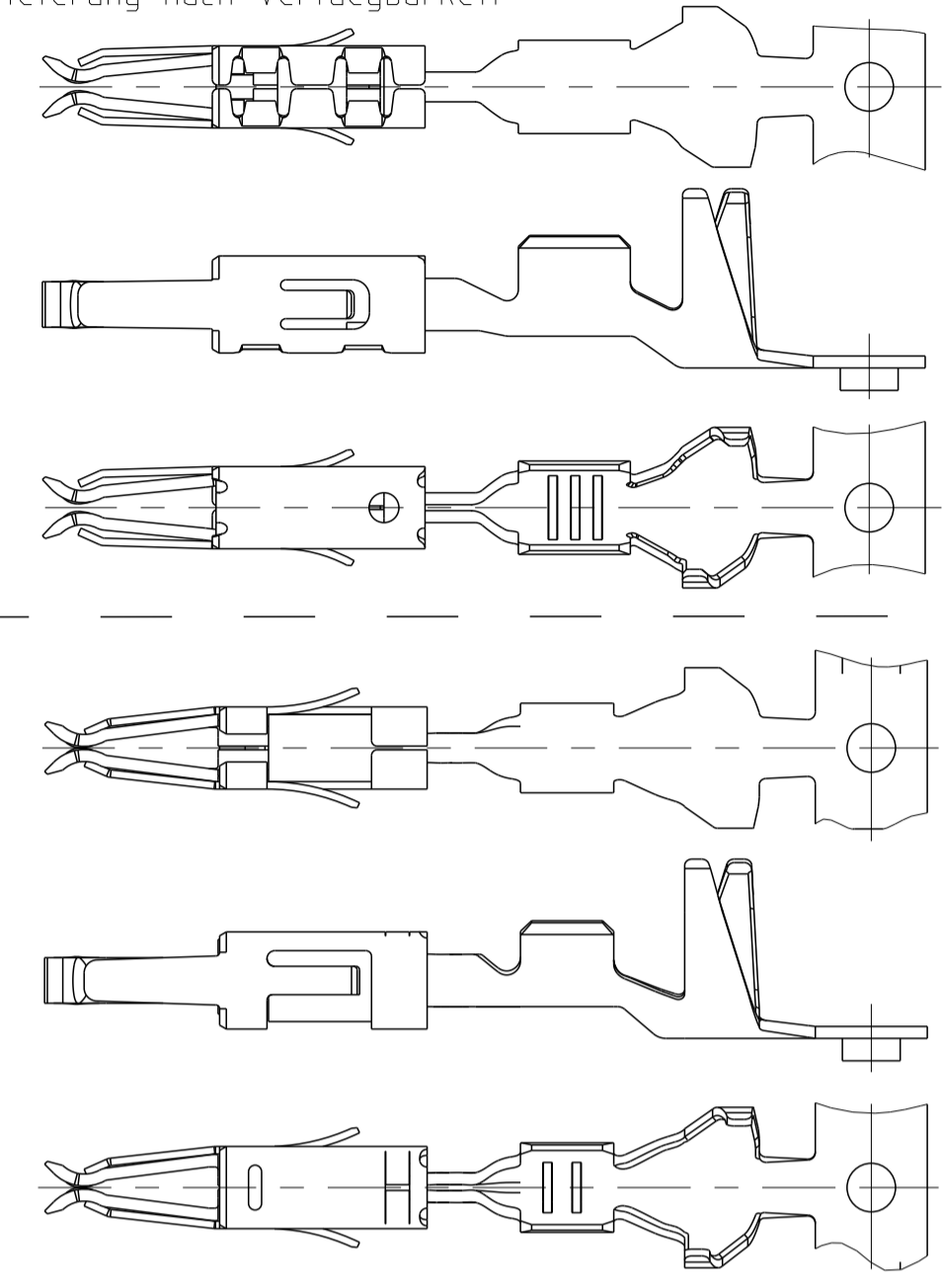
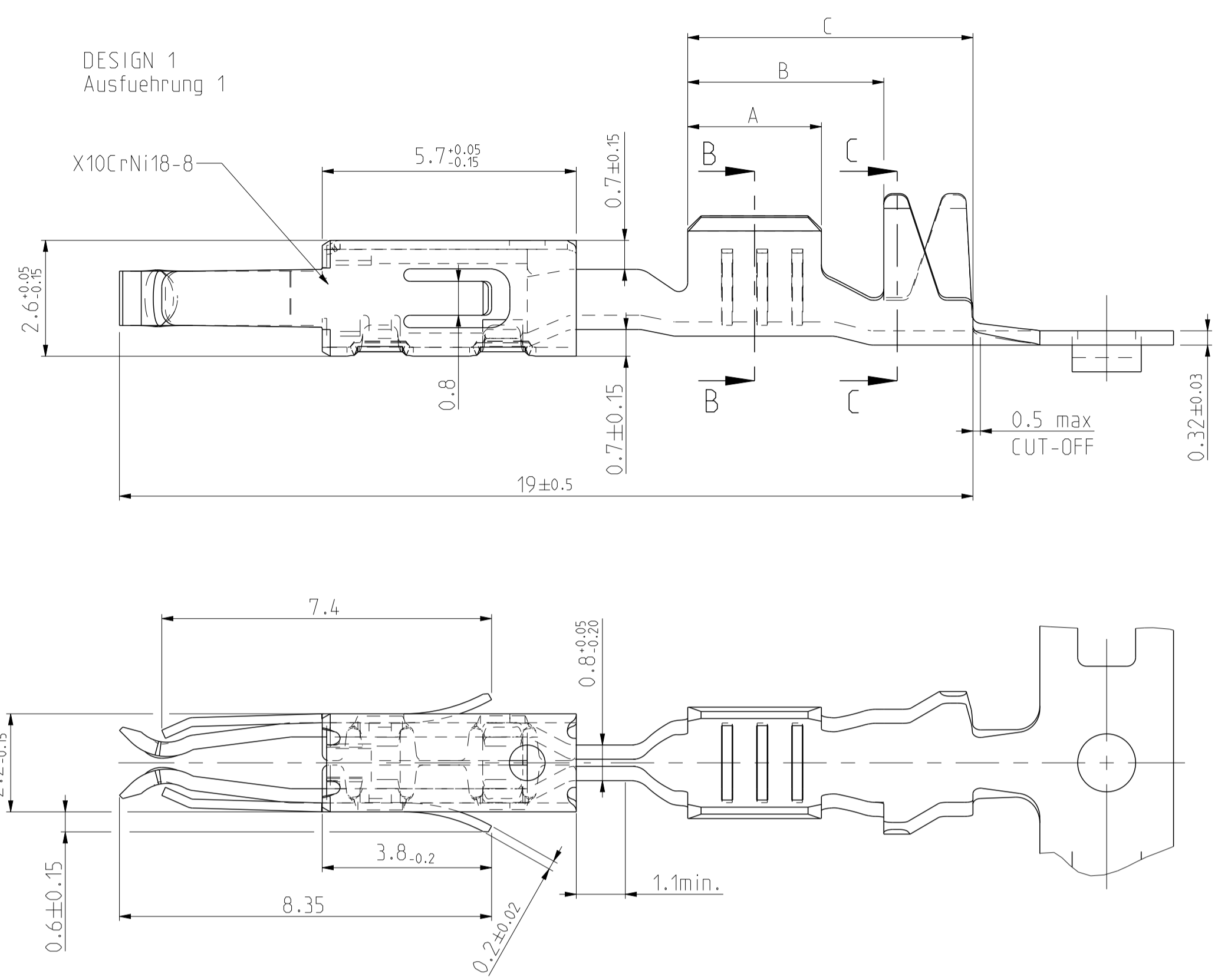


SPRING / Ueberfeder
 DIFFERENT TOOL DETAILS
 Verschiedene Werkzeugausfuehrungen
 FUNCTION AND HANDLING WITH
 ALL DETAILS CONTINUOUSLY
 Funktion und Handhabung
 bei allen Ausfuehrungen gleich
 SUPPLY BASED ON AVAILABILITY
 Lieferung nach Verfuegbarkeit

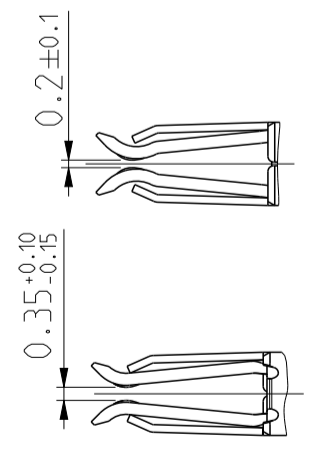
SPRING / Ueberfeder
 USED ONLY FOR/ Nur verwendet fuer
 PN 965914
 PN 969022
 PN 968052



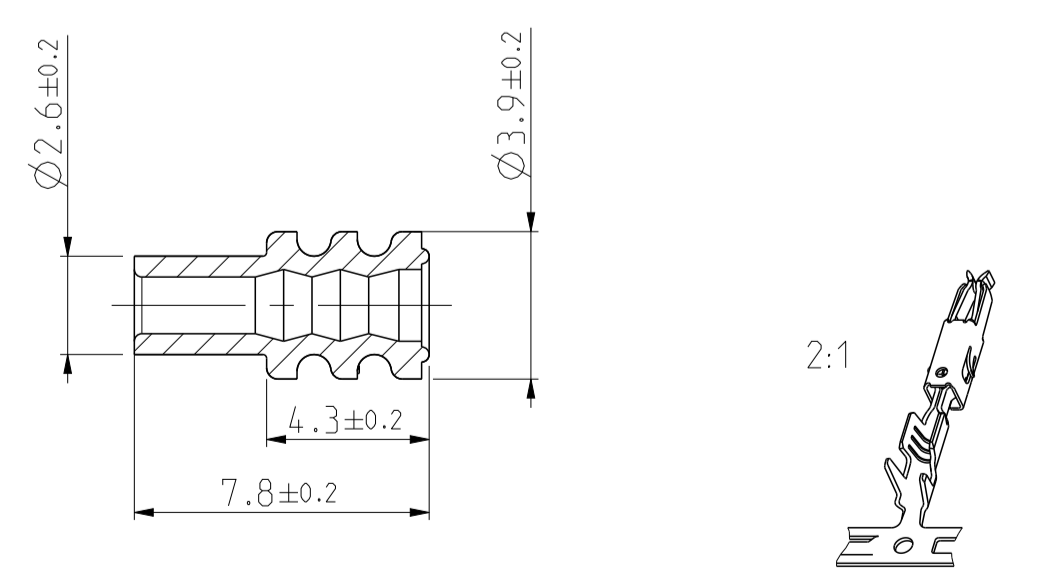
TE ORDER NO.	REV.	DESIGN Ausfuehrung	MATERIAL Oberflaeche	SURFACE Oberflaeche	WIRE RANGE Drahtgroessen Bereich [mm²]	INSULATION Isolations Ø [mm]	STRIP FROM WIRE CRIMP Drahtcrimp Bandware	INSUL.-CRIMP Iso.-Crimp Bandware	A	B	C	CRIMP DATA AND CRIMP TOOL Crimpdaten u. Crimpwerkzeuge	
SINGLE WIRE SEAL/ Einzelichtungssystem	3	4-1241732-1	B	CuNiSi	5	0.5-1.0 FLR	1.4-2.0	E = 2.5 G = 2.7 DDr = 1.2	H = 4.3 K = 4.8 DISO = 2.7	3.0	4.4	6.4	
		1241732-2	B	CuFe 2	PRETINNED vorverzinkt	0.5-1.0 FLR	1.4-2.0	E = 2.5 G = 2.7 DDr = 1.2	H = 4.3 K = 4.8 DISO = 2.7	3.0	4.4	6.4	
		1241730-2	B	CuFe 2	PRETINNED vorverzinkt	0.2-0.5 FLR	1.15-1.6	E = 2.1 G = 2.1 DDr = 0.8	H = 4.3 K = 4.8 DISO = 2.6	2.5	4.4	6.4	
	UNSEALED/ ungeeicht	3	1241860-7	A	CuNi12Zn24	PLAIN Blank	0.5-1.0 FLR	1.4-2.1	E = 2.5 G = 2.7 DDr = 1.2	H = 3.2 K = 3.4 DISO = 1.8	3.0	4.4	6.4
			1241860-2	A	CuFe 2	PRETINNED vorverzinkt	0.5-1.0 FLR	1.4-2.1	E = 2.5 G = 2.7 DDr = 1.2	H = 3.2 K = 3.4 DISO = 1.8	3.0	4.4	6.4
		3	1241858-2	A	CuFe 2	PRETINNED vorverzinkt	0.2-0.5 FLR	1.15-1.6	E = 2.1 G = 2.1 DDr = 0.8	H = 2.9 K = 2.9 DISO = 1.4	2.5	4.4	6.4
			968052-1	B	CuFe 2	PRETINNED vorverzinkt	0.5-1.0 FLR	1.4-2.1	E = 2.5 G = 2.7 DDr = 1.2	H = 3.2 K = 3.4 DISO = 1.8	3.0	4.6	7
		4	969022-1	B	CuFe 2	1	0.5-1.0 FLR	1.4-2.1	E = 2.5 G = 2.7 DDr = 1.2	H = 3.2 K = 3.4 DISO = 1.8	3.0	4.6	7
			965914-2	B	CuFe 2	PRETINNED vorverzinkt	0.2-0.5 FLR	1.15-1.6	E = 2.1 G = 2.1 DDr = 0.8	H = 2.9 K = 2.9 DISO = 1.4	2.5	4.6	7
	4	965914-1	B	CuFe 2	1	0.2-0.5 FLR	1.15-1.6	E = 2.1 G = 2.1 DDr = 0.8	H = 2.9 K = 2.9 DISO = 1.4	2.5	4.6	7	

SEE APPLICATION - SPECIFICATION
 siehe Verarbeitungsspezifikation
 114-18081

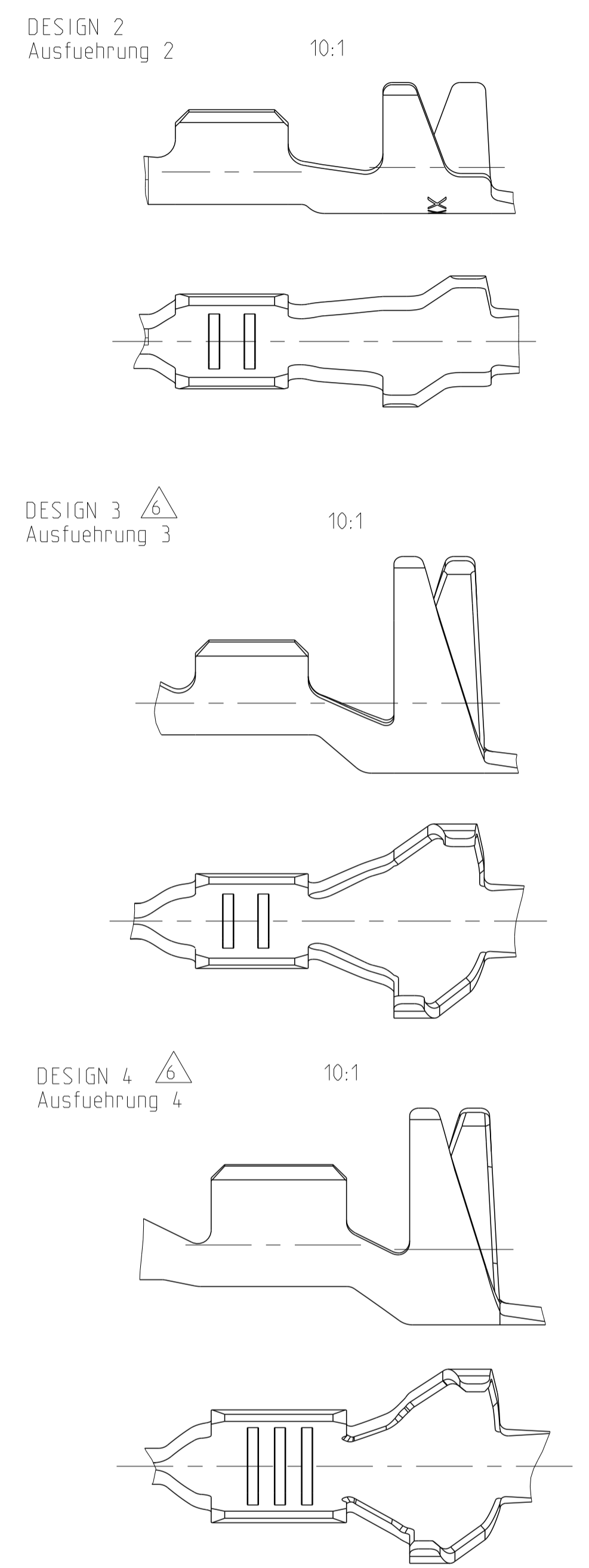
- 1 BODY ELECTRO TIN PLATED OVER NICKEL 0.2 µm min. Kontaktkoerper gal. verzinkt ueber Nickel 0.2 µm min. CONTACT AREA SELECTIV GOLD OVER NICKEL 0.8 µm min. Kontaktzone selectiv vergoldet ueber Nickel 0.8 µm min. WIRE CRIMP AREA ELECTRO TIN PLATED 1 µm min. Drahtcrimpbereich galv. verzinkt 1 µm min.
- 2 ACCORDING INSULATION DIA IS TO CHOOSE THE SINGLE WIRE SEAL Entsprechend dem Isolationsdurchmesser ist die Einzel-Dichtung auszuwaehlen
- 3 VARIANTS WITH GAP-SIZE 0.2mm Varianten mit Gap-Size 0.2mm
- 4 VARIANTS WITH GAP-SIZE 0.35mm Varianten mit Gap-Size 0.35mm
- 5 BODY ELECTRO TIN PLATED OVER NICKEL 0.2µm min. Kontaktkoerper gal. verzinkt ueber Nickel 0.2µm min. CONTACT AREA SELECTIV GOLD OVER NICKEL 0.8 µm min. Kontaktzone selectiv vergoldet ueber Nickel 0.8µm min. WIRE CRIMP AREA ELECTRO TIN PLATED 1µm min. Drahtcrimpbereich gal. verzinkt
- 6 ADDITIONAL INFORMATION FOR SINGLE WIRE SEAL VERISONS Zusätzliche Information fuer einzelgedichtete Varianten



SINGLE WIRE SEAL Einzel-Dichtung		
964972-1	1.9-2.1	YELLOW gelb
963530-1	1.4-1.9	GREY grau
964971-1	1.2-1.6	RED rot
ORDER No. Bestell-Nr.	INSULATION Ø Isolations Ø	COLOUR Farbe



REVISIONS				
P.	LTN	DESCRIPTION	DATE	APVD
A6		SET PN's TO OBSOLETE	17MAR2014	Ho. Eder
A7		NEW CREO DRAWING	25JUL2014	Ho. Eder
A8		CORRECTED VIEW. ADDED NECK DIMENSION	03APR2018	JP JC
B		CORRECTED VIEWS ACC. PART CHANGES	09OCT2019	JB.J JC



THIS DRAWING IS A CONTROLLED DOCUMENT.

DIMENSIONS: mm	TOLERANCES UNLESS OTHERWISE SPECIFIED: ±0.2	OWN G. Abraham 12NOV2001	CM4 M. Bleicher 12NOV2001	APVD T. Meierhoefer 16NOV2001
MATERIAL: -	FINISH: -	NAME: PRODUCT GROUP DRAWING FOR MICRO TIMER 3 CONTACT	SIZE: 114-18081	RESTRICTED TO: -
Customer Drawing		SCALE: 5:1	SHEET: 1 OF 1	REV: B

STE TE Connectivity

X-ON Electronics

Largest Supplier of Electrical and Electronic Components

Click to view similar products for [Automotive Connectors](#) category:

Click to view products by [TE Connectivity](#) manufacturer:

Other Similar products are found below :

[003-018-000](#) [60403001](#) [60993906-B](#) [M902-2131](#) [M902-2161](#) [72.330.1035.1](#) [73.353.4028.0](#) [F119300-B](#) [F166900](#) [F258300-B](#) [F358300-B](#)
[F407400](#) [F444110](#) [F487000](#) [F509500B-B](#) [827153-1](#) [8N1515-32-24P](#) [9-1326729-8](#) [925474-1](#) [928905-1](#) [964562-4](#) [968782-1](#) [GT17SA-8DS-](#)
[HU](#) [98891-1012](#) [98947-1016](#) [12004147](#) [12004475-L](#) [12010290](#) [12010309-B](#) [12015454](#) [12020219-B](#) [12020308](#) [12041318-B](#) [12052225-L](#)
[12052466](#) [12059125](#) [12064869](#) [12004327-B](#) [12010503-B](#) [12015308](#) [12015384](#) [12015909](#) [1-21030-1](#) [12041254](#) [12041318](#) [12047946-B](#)
[12047957](#) [12047957-L](#) [12059473](#) [12066261](#)