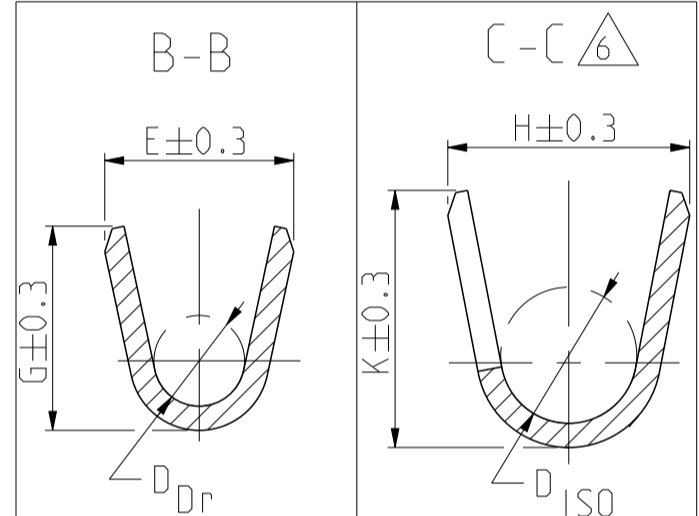
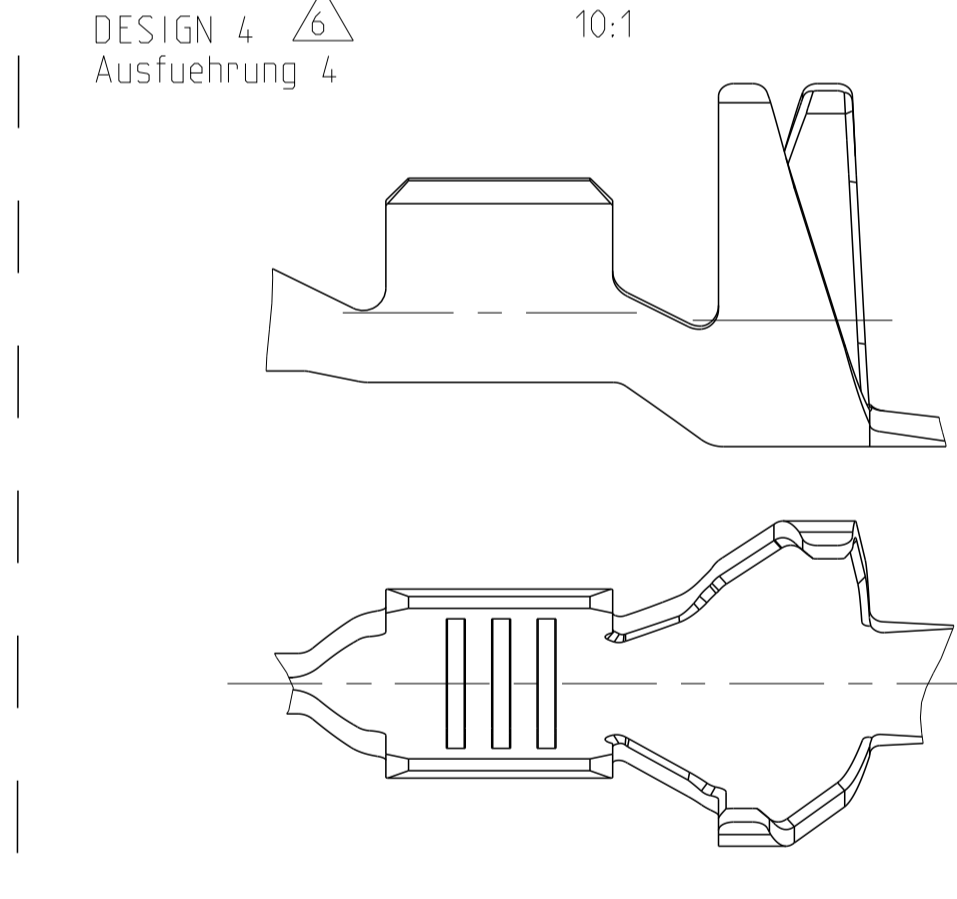
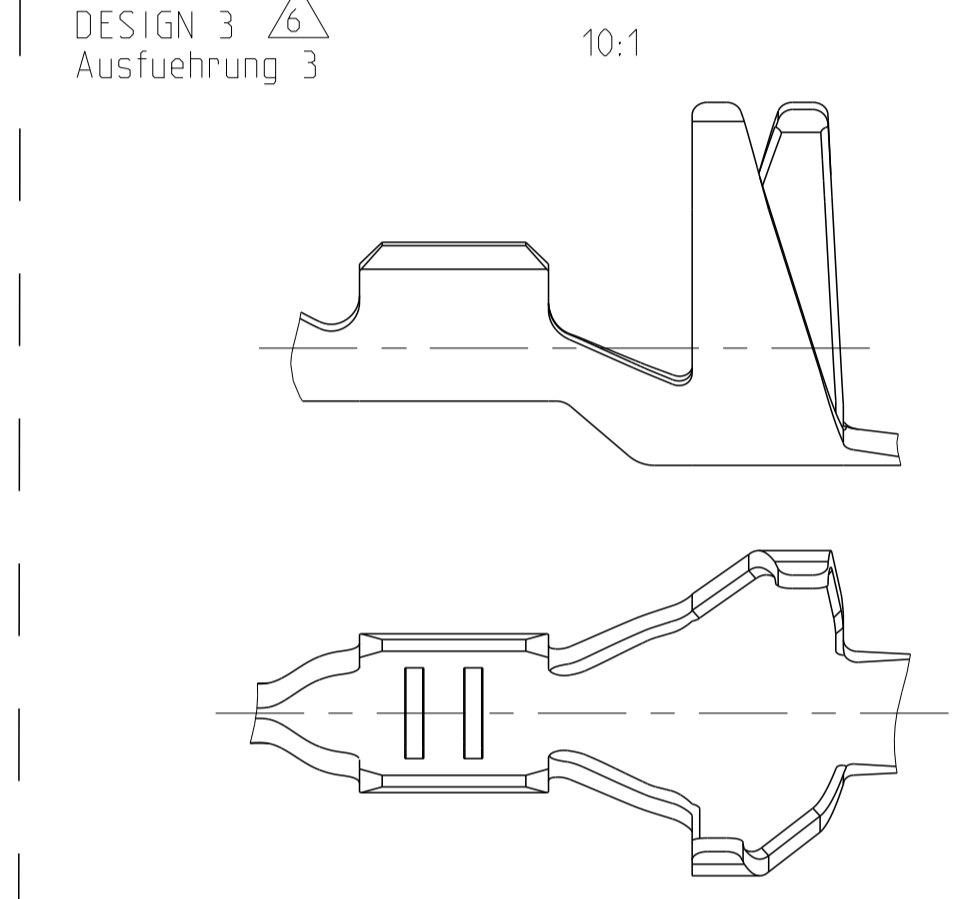
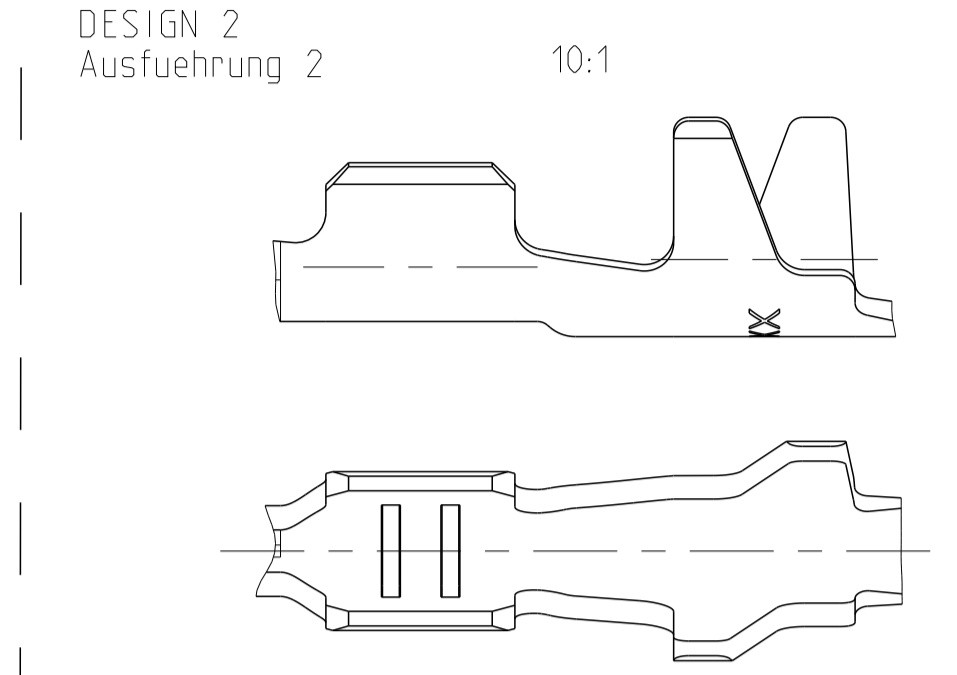
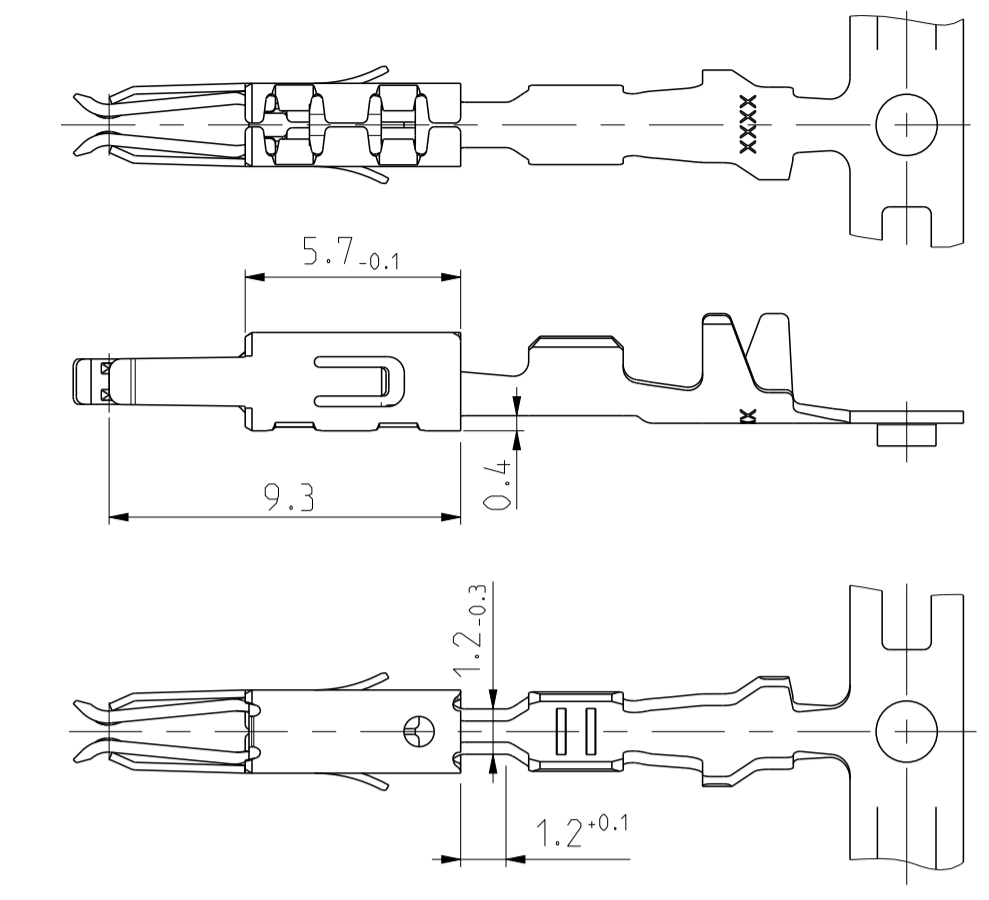
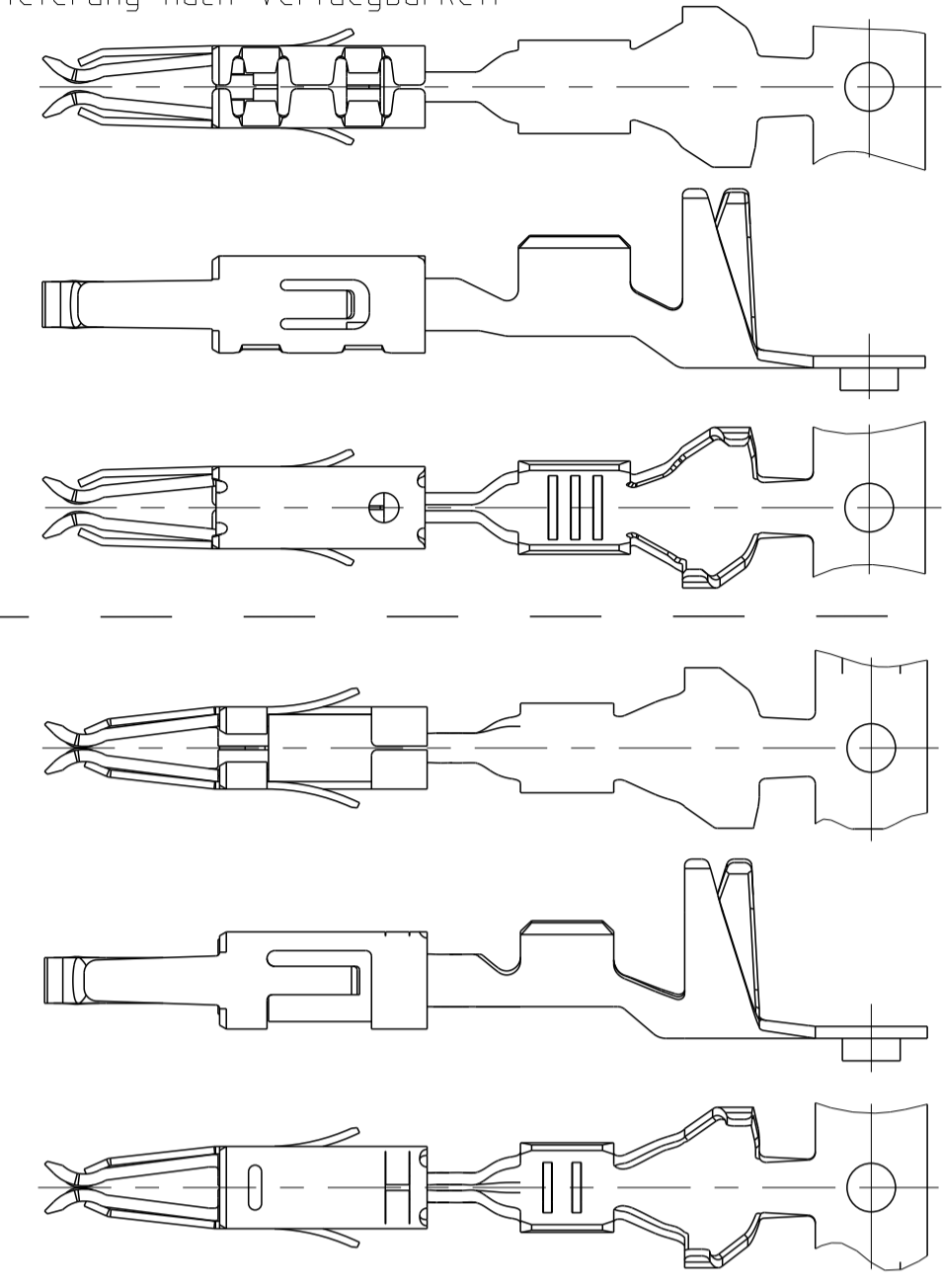
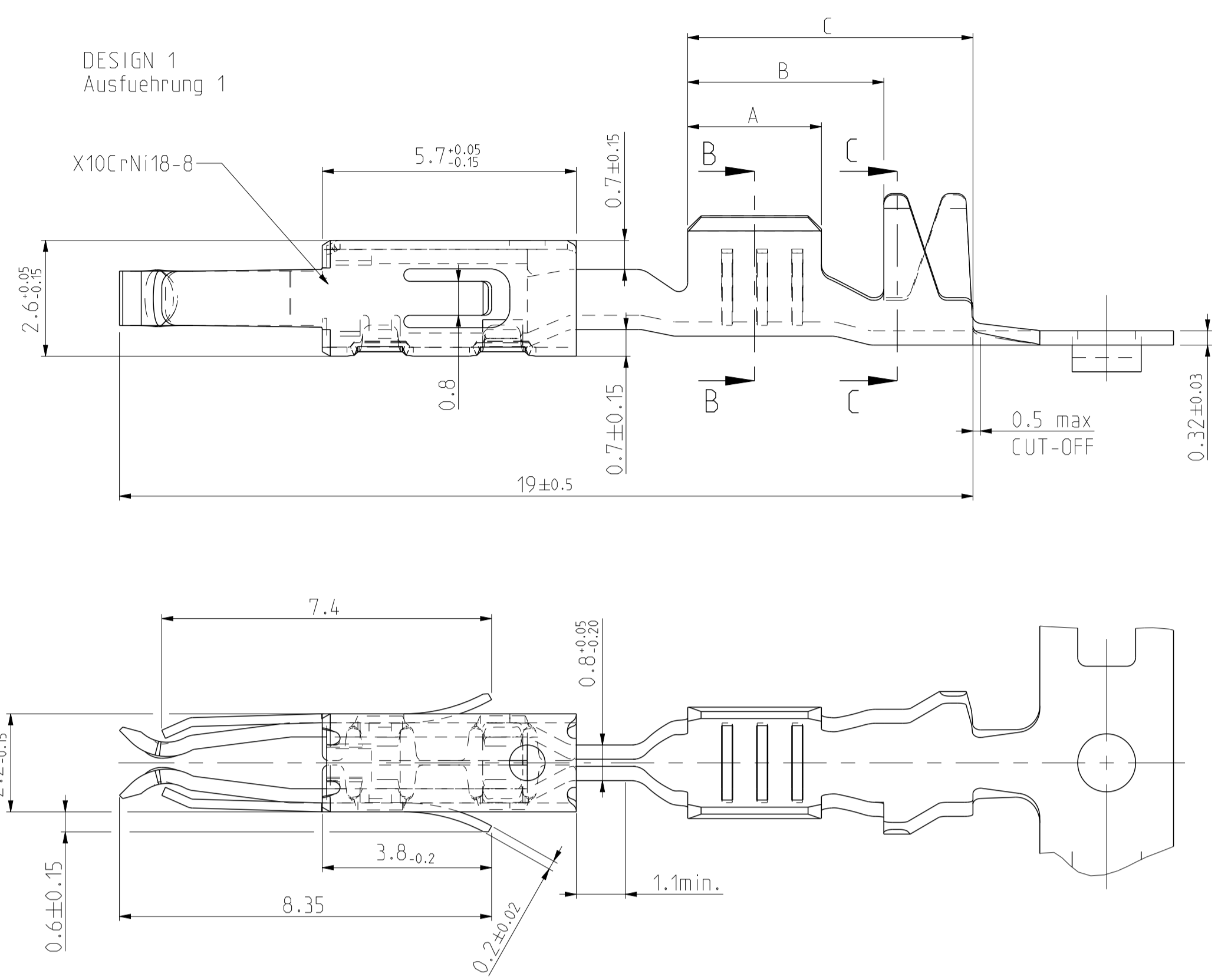


SPRING / Ueberfeder
 DIFFERENT TOOL DETAILS
 Verschiedene Werkzeugausfuehrungen
 FUNCTION AND HANDLING WITH
 ALL DETAILS CONTINUOUSLY
 Funktion und Handhabung
 bei allen Ausfuehrungen gleich
 SUPPLY BASED ON AVAILABILITY
 Lieferung nach Verfuegbarkeit

SPRING / Ueberfeder
 USED ONLY FOR/ Nur verwendet fuer
 PN 965914
 PN 969022
 PN 968052

REVISIONS				
P.	LTN	DESCRIPTION	DATE	APPV
A6		SET PN'S TO OBSOLETE	17MAR2014	Ho. Eder
A7		NEW CREO DRAWING	25JUL2014	Ho. Eder
A8		CORRECTED VIEW. ADDED NECK DIMENSION	03APR2018	JP JC
B		CORRECTED VIEWS ACC. PART CHANGES	09OCT2019	JB.J JC

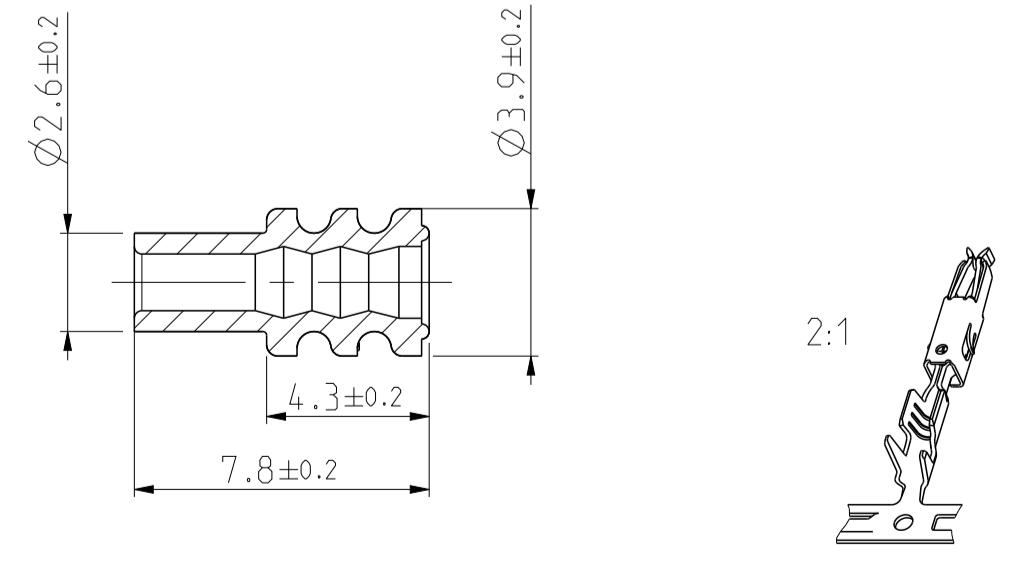


SINGLE WIRE SEAL/ Einzelichtungssystem	REV.	DESIGN Ausfuehrung	MATERIAL Oberflaeche	SURFACE Oberflaeche	WIRE RANGE Drahtgroessen Bereich [mm²]	INSULATION Isolations Ø [mm]	CRIMP DATA AND CRIMP TOOL					
							CRIMP DIMENSION mm Crimpabmessungen mm	A	B	C		
4-1241732-1	B	4	CuNiSi	5	0.5-1.0 FLR	1.4-2.0	E = 2.5 G = 2.7 DDr = 1.2	H = 4.3 K = 4.8 DISO = 2.7	3.0	4.4	6.4	
1241732-2	B	4	CuFe 2	PRETINNED vorverzinnt	0.5-1.0 FLR	1.4-2.0	E = 2.5 G = 2.7 DDr = 1.2	H = 4.3 K = 4.8 DISO = 2.7	3.0	4.4	6.4	
1241730-2	B	3	CuFe 2	PRETINNED vorverzinnt	0.2-0.5 FLR	1.15-1.6	E = 2.1 G = 2.1 DDr = 0.8	H = 4.3 K = 4.8 DISO = 2.6	2.5	4.4	6.4	
1241860-7	A	1	CuNi12Zn24	PLAIN Blank	0.5-1.0 FLR	1.4-2.1	E = 2.5 G = 2.7 DDr = 1.2	H = 3.2 K = 3.4 DISO = 1.8	3.0	4.4	6.4	
1241860-2	A	1	CuFe 2	PRETINNED vorverzinnt	0.5-1.0 FLR	1.4-2.1	E = 2.5 G = 2.7 DDr = 1.2	H = 3.2 K = 3.4 DISO = 1.8	3.0	4.4	6.4	
1241858-2	A	2	CuFe 2	PRETINNED vorverzinnt	0.2-0.5 FLR	1.15-1.6	E = 2.1 G = 2.1 DDr = 0.8	H = 2.9 K = 2.9 DISO = 1.4	2.5	4.4	6.4	
968052-1	B	1	CuFe 2	PRETINNED vorverzinnt	0.5-1.0 FLR	1.4-2.1	E = 2.5 G = 2.7 DDr = 1.2	H = 3.2 K = 3.4 DISO = 1.8	3.0	4.6	7	
969022-1	B	1	CuFe 2	1	0.5-1.0 FLR	1.4-2.1	E = 2.5 G = 2.7 DDr = 1.2	H = 3.2 K = 3.4 DISO = 1.8	3.0	4.6	7	
965914-2	B	2	CuFe 2	PRETINNED vorverzinnt	0.2-0.5 FLR	1.15-1.6	E = 2.1 G = 2.1 DDr = 0.8	H = 2.9 K = 2.9 DISO = 1.4	2.5	4.6	7	
965914-1	B	2	CuFe 2	1	0.2-0.5 FLR	1.15-1.6	E = 2.1 G = 2.1 DDr = 0.8	H = 2.9 K = 2.9 DISO = 1.4	2.5	4.6	7	
TE ORDER NO. STRIP FORM Bandware	REV.	DESIGN Ausfuehrung	MATERIAL Oberflaeche	SURFACE Oberflaeche	WIRE RANGE Drahtgroessen Bereich [mm²]	INSULATION Isolations Ø [mm]	STRIP FROM WIRE CRIMP Drahtcrimp Iso.-Crimp Bandware	CRIMP DIMENSION mm Crimpabmessungen mm	A	B	C	CRIMP DATA AND CRIMP TOOL Crimpdaten u. Crimpwerkzeuge

SEE APPLICATION - SPECIFICATION
 siehe Verarbeitungsspezifikation
 114-18081

- 1 BODY ELECTRO TIN PLATED OVER NICKEL 0.2 µm min.
 Kontaktkoerper gal. verzinnt ueber Nickel 0.2 µm min.
 CONTACT AREA SELECTIV GOLD OVER NICKEL 0.8 µm min.
 Kontaktzone selectiv vergoldet ueber Nickel 0.8 µm min.
 WIRE CRIMP AREA ELECTRO TIN PLATED 1 µm min.
 Drahtcrimpbereich galv. verzinnt 1 µm min.
- 2 ACCORDING INSULATION DIA IS TO CHOOSE THE SINGLE WIRE SEAL
 Entsprechend dem Isolationsdurchmesser ist die
 Einzel-Dichtung auszuwaehlen
- 3 VARIANTS WITH GAP-SIZE 0.2mm
 Varianten mit Gap-Size 0.2mm
- 4 VARIANTS WITH GAP-SIZE 0.35mm
 Varianten mit Gap-Size 0.35mm
- 5 BODY ELECTRO TIN PLATED OVER NICKEL 0.2µm min.
 Kontaktkoerper gal. verzinnt ueber Nickel 0.2µm min.
 CONTACT AREA SELECTIV GOLD OVER NICKEL 0.8 µm min.
 Kontaktzone selectiv vergoldet ueber Nickel 0.8µm min.
 WIRE CRIMP AREA ELECTRO TIN PLATED 1µm min.
 Drahtcrimpbereich gal. verzinnt
- 6 ADDITIONAL INFORMATION FOR
 SINGLE WIRE SEAL VERISONS
 Zusätzliche Information fuer
 einzelgedichtete Varianten

SINGLE WIRE SEAL Einzel-Dichtung		
964972-1	1.9-2.1	YELLOW gelb
963530-1	1.4-1.9	GREY grau
964971-1	1.2-1.6	RED rot
ORDER No. Bestell-Nr.	INSULATION Ø Isolations Ø	COLOUR Farbe



THIS DRAWING IS A CONTROLLED DOCUMENT.

DIMENSIONS: mm	TOLERANCES UNLESS OTHERWISE SPECIFIED: ±0.2	OWN G. Abraham 12NOV2001	NAME PRODUCT GROUP DRAWING FOR MICRO TIMER 3 CONTACT Produkt-Gruppen-Zeichnung fuer Micro Timer 3
MATERIAL	FINISH	CHK M. Bleicher 16NOV2001	SIZE 114-18081
Customer Drawing		WEIGHT	RESTRICTED TO

SCALE 5:1 SHEET 1 OF 1 REV B

X-ON Electronics

Largest Supplier of Electrical and Electronic Components

Click to view similar products for [Automotive Connectors](#) category:

Click to view products by [TE Connectivity](#) manufacturer:

Other Similar products are found below :

[003-018-000](#) [60403001](#) [60993906-B](#) [M902-2131](#) [M902-2161](#) [72.330.1035.1](#) [73.353.4028.0](#) [F119300-B](#) [F166900](#) [F258300-B](#) [F358300-B](#)
[F407400](#) [F444110](#) [F487000](#) [F509500B-B](#) [827153-1](#) [8N1515-32-24P](#) [9-1326729-8](#) [925474-1](#) [928905-1](#) [964562-4](#) [968782-1](#) [GT17SA-8DS-](#)
[HU](#) [98891-1012](#) [98947-1016](#) [12004147](#) [12004475-L](#) [12010290](#) [12010309-B](#) [12015454](#) [12020219-B](#) [12020308](#) [12041318-B](#) [12052225-L](#)
[12052466](#) [12059125](#) [12064869](#) [12004327-B](#) [12010503-B](#) [12015308](#) [12015384](#) [12015909](#) [1-21030-1](#) [12041254](#) [12041318](#) [12047946-B](#)
[12047957](#) [12047957-L](#) [12059473](#) [12066261](#)