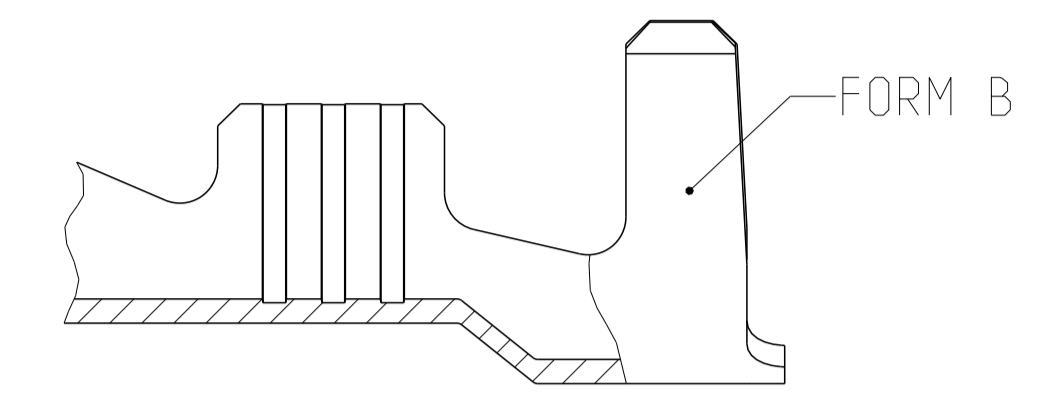
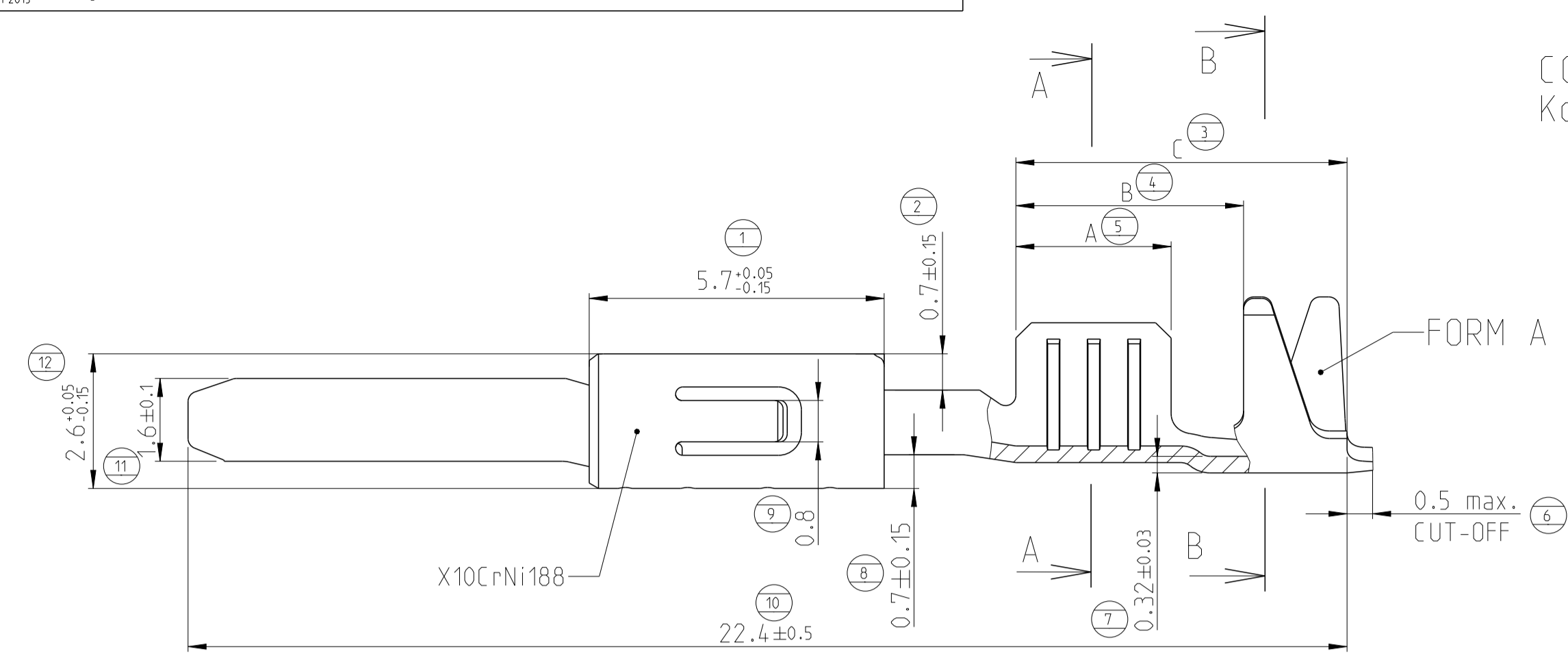
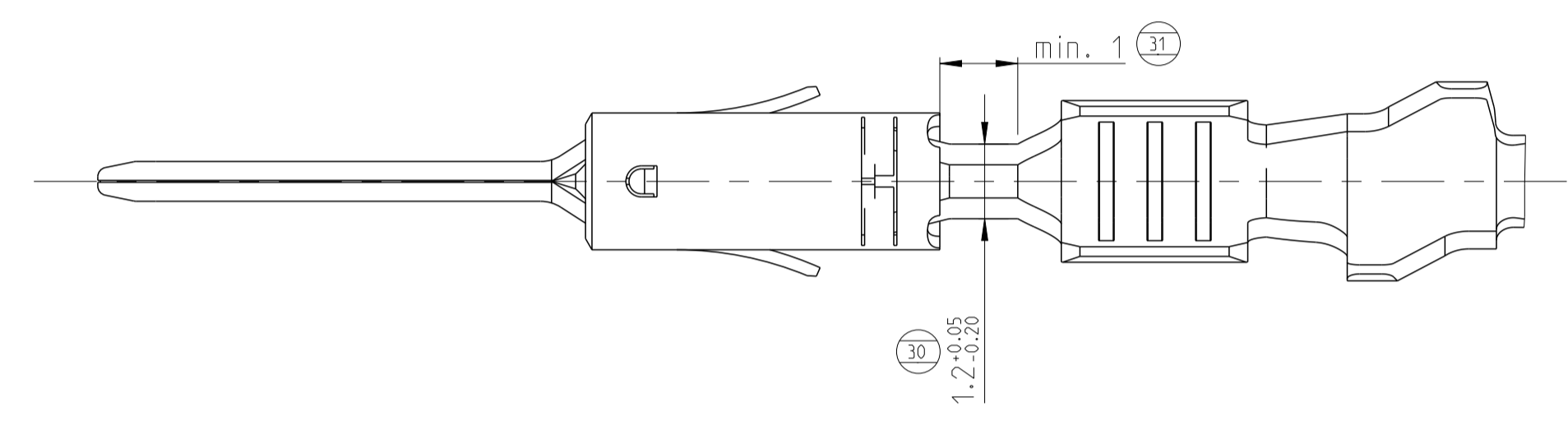
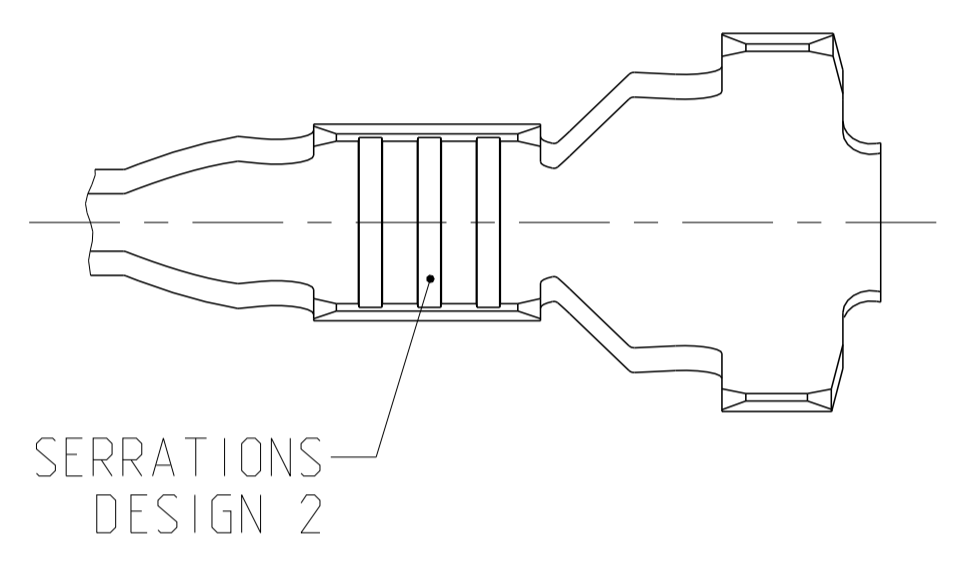
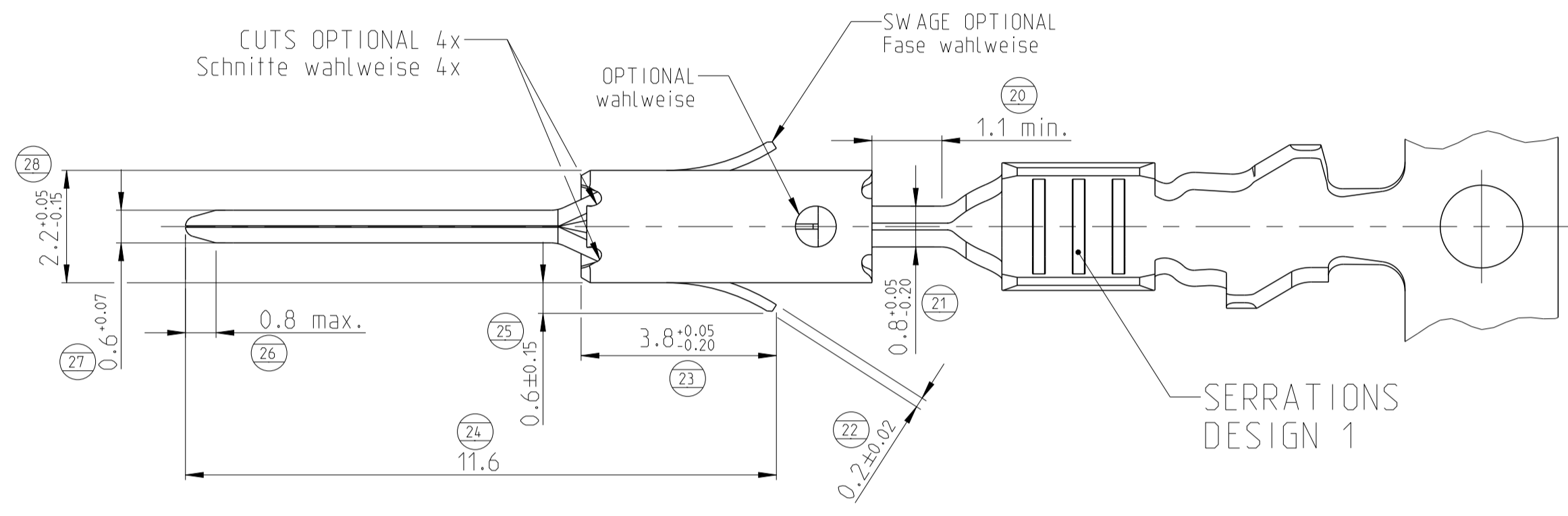
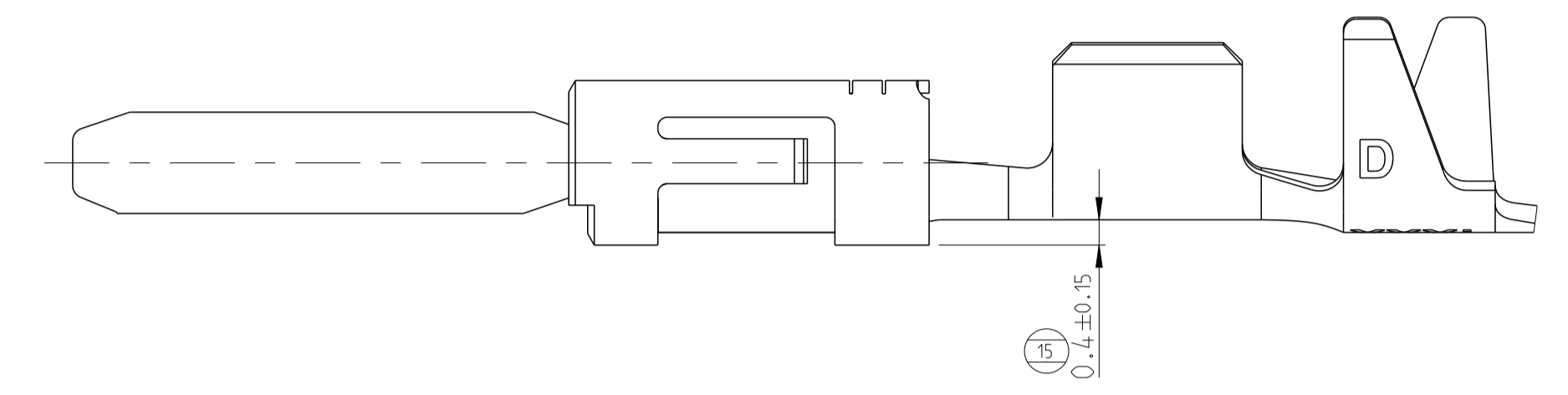


REVISIONS				
P.	LTN	DESCRIPTION	DATE	APPROV
A18	ECR-16-006173		04MAY2016	MB JK
A19	ECR-16-009404		22SEP2016	MB JK
A20	ECR-17-005648		21OCT2017	MB PST
A21	ECR-18-014391		24SEP2018	SCK RP

CONTACTS FOR FLR-CABLE  
 Kontakte fuer FLR-Leitung



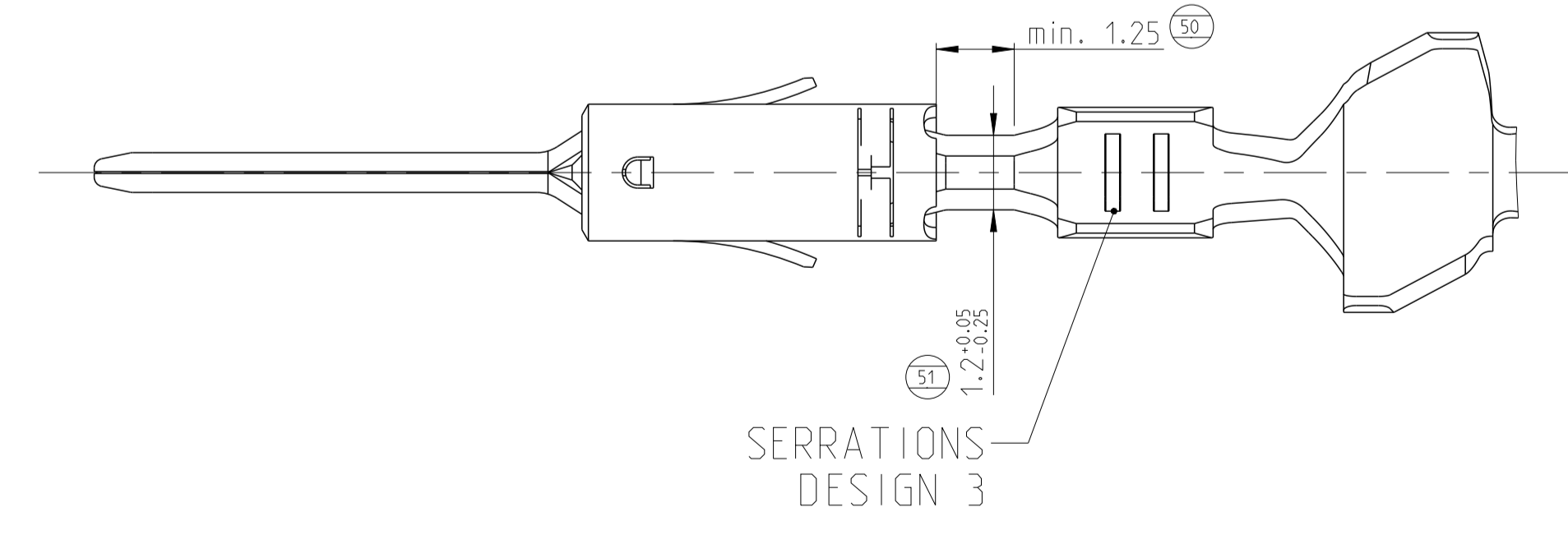
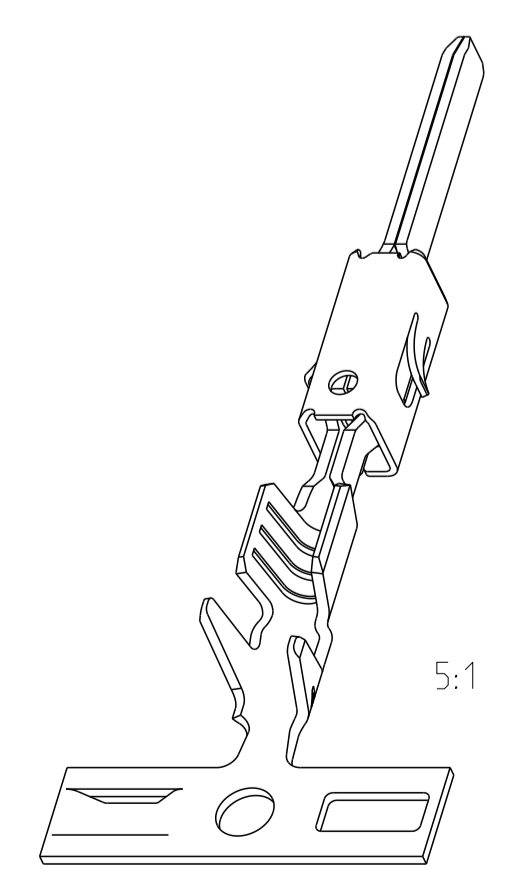
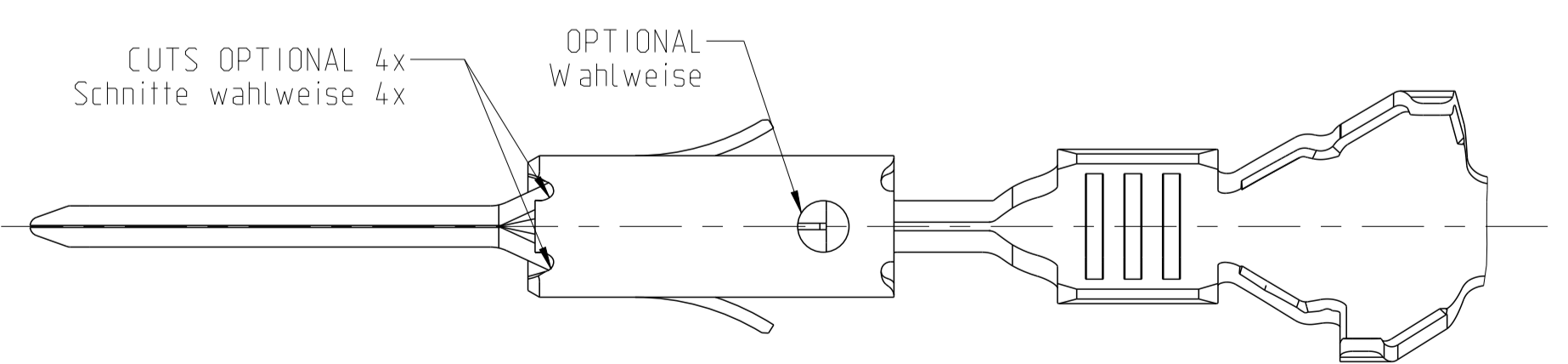
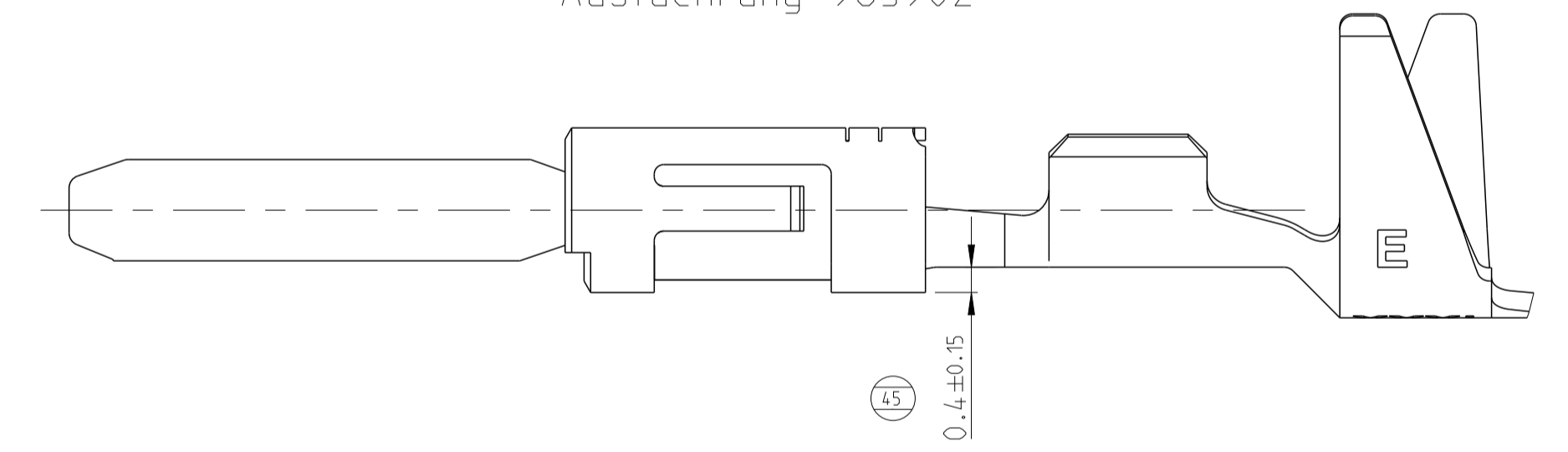
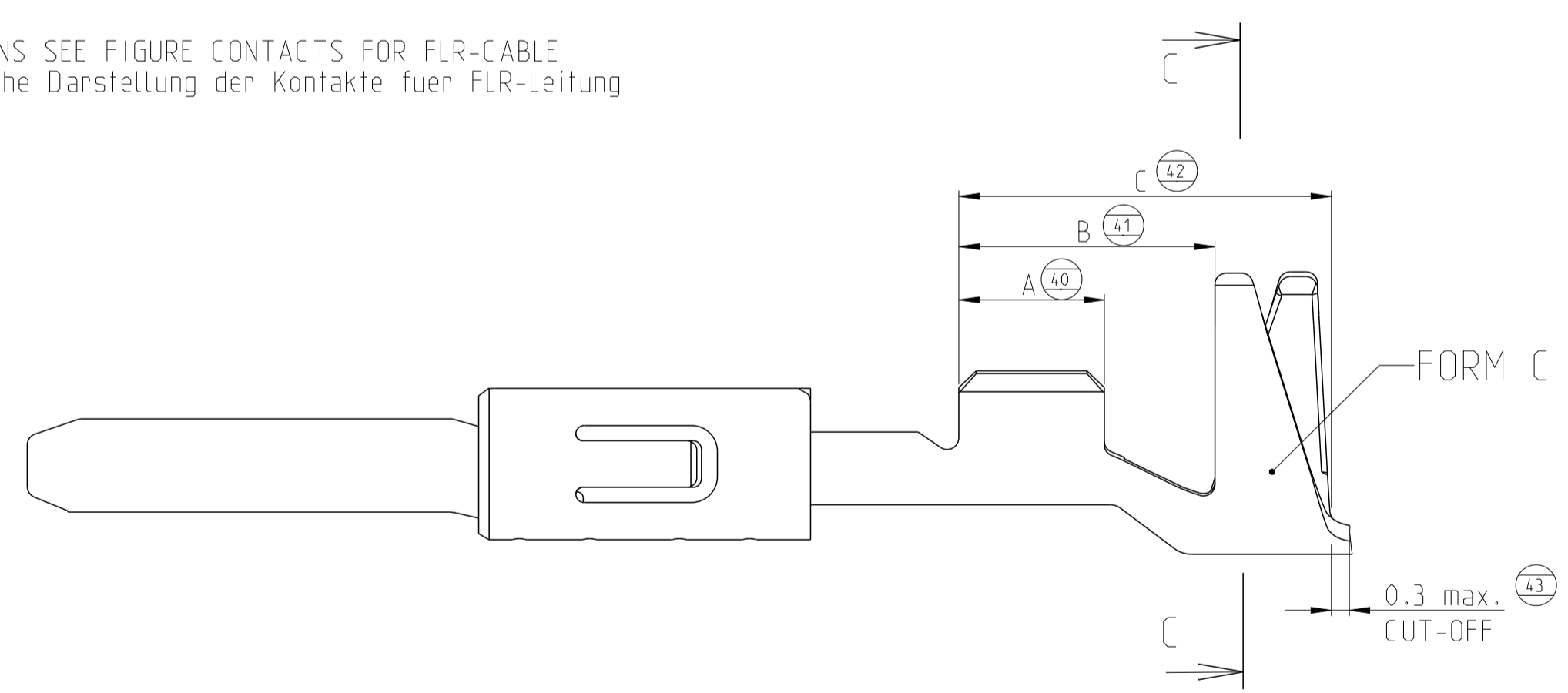
DESIGN 963898 / 963900 / 963904  
 Ausfuehrung 963898 / 963900 / 963904



CONTACTS FOR SINGLE WIRE SEALING SYSTEM:  
 FLR- AND FLK-CABLE  
 Kontakte fuer Einzeldichtung-System:  
 FLR- und FLK-Leitung

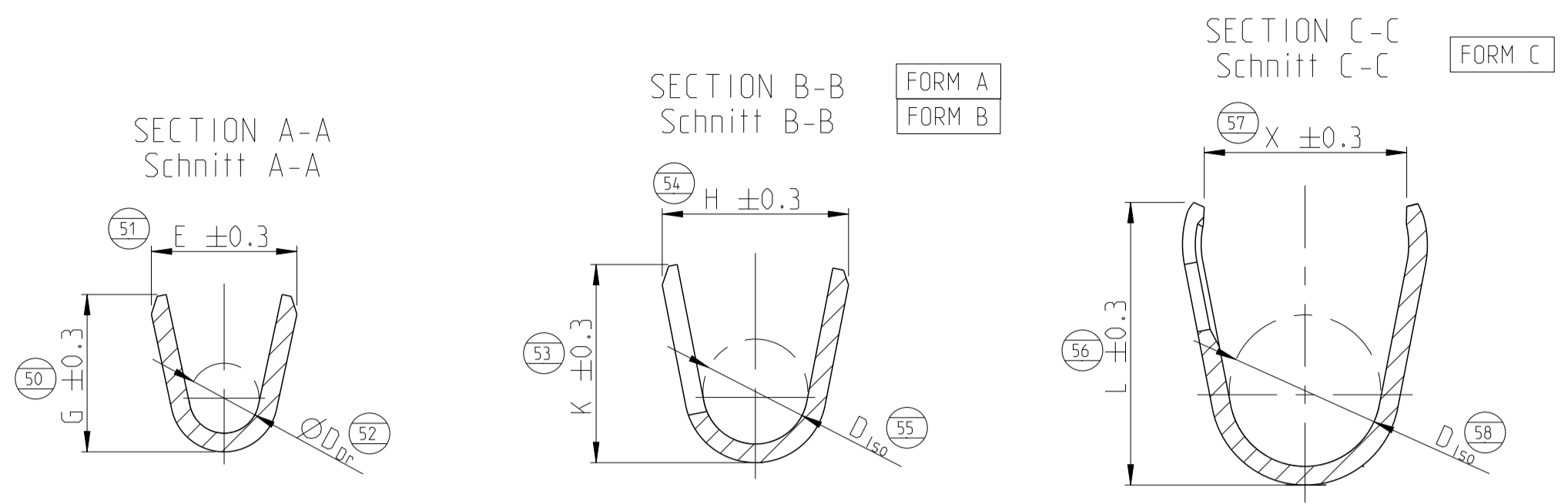
DIMENSIONS SEE FIGURE CONTACTS FOR FLR-CABLE  
 Masse siehe Darstellung der Kontakte fuer FLR-Leitung

DESIGN 963902  
 Ausfuehrung 963902



THIS DRAWING IS A CONTROLLED DOCUMENT.		OWN: T. Bersch 11JUN1997	TE Connectivity
DIMENSIONS: mm		CHK: U. Muenk 11JUN1997	
TOLERANCES UNLESS OTHERWISE SPECIFIED: ±0.2		APPR: M. Bleicher 02MAR2011	NAME: PRODUCT GROUP DRAWING TAB 1.6 x 0.6 Flachstecker 1.6 x 0.6
MATERIAL: SEE TABLE sheet 2		PRODUCT SPEC: 108-18331	
FINISH: SEE TABLE sheet 2		APPLICATION SPEC: 114-18082	SIZE: 100779 CAGE CODE: 1355055 DRAWING NO: 100779
WEIGHT: -		RESTRICTED TO: A1	
CUSTOMER DRAWING		SCALE: 10:1	SHEET: 1 OF 2

REVISIONS				
P.	LTN	DESCRIPTION	DATE	APPV
-	-	SEE SHEET 1	-	-



- 1 CONTACT AREA SELECTIVE GOLD 0.8µm MIN. OVER NICKEL.  
WIRE CRIMP AREA ELECTRO TIN PLATED 1µm MIN. OVER NICKEL  
Kontaktzone selectiv vergoldet 0.8µm min. ueber Ni  
Drahtcrimpbereich gal. verzinkt 1µm min. ueber Ni
- 2 FOR DOUBLE- AND SINGLE TERMINATION  
fuer Doppel- und Einzelanschlaege
- 3 SINGLE WIRE SEAL TO BE SELECTED ACCORDING TO INSULATION-DIA  
ACCORDING TO APPLICATION SPECIFICATION 114-18082  
Auswahl der Eubzeldichtung entsprechend dem Isolationsdurchmesser nach  
Verarbeitungsspezifikation 114-18082
- 4 TIN PLATED  
vorverzinkt
- 5 CONTACT AREA SELECTIVE SILVER 3µm MIN. OVER NICKEL.  
WIRE CRIMP AREA ELECTRO TIN PLATED 1.5µm MIN. OVER NICKEL  
Kontaktzone selectiv versilbert 3µm min. ueber Ni  
Drahtcrimpbereich gal. verzinkt 1.5µm min. ueber Ni
- 6 DIFFERENT TOOL DETAILS  
FUNCTION AND HANDLING WITH ALL DETAILS CONTINUOUSLY  
SUPPLY AFTER AVAILABILITY  
Verschiedene Werkzeugausfuehrungen  
Funktion und Handhabung bei allen Ausfuehrungen gleich  
Lieferung nach Verfuegbarkeit

		SEE / siehe SECTION A-A Schnitt A-A	SEE / siehe SECTION B-B / C-C Schnitt B-B / C-C																																				
SINGLE WIRE SEAL / Einzelichtungssystem	1703278-5	A	1	CuSn4	5	1.5	1.95 - 2.4	E = 2.8 G = 3.0 D <sub>Dr</sub> = 1.4	C	L = 4.9 D <sub>ISO</sub> = 2.9	169400-0 539635-1	-	3.0	4.4	6.4	3.6																							
	1703278-2	A	1	CuFe2	4																																		
	2-964269-2	A	1	CuFe2	5																																		
	964269-5	A	1	CuSn4	5	0.5 - 1.0	1.4 - 2.1	E = 2.5 G = 2.7 D <sub>Dr</sub> = 1.2	C	L = 4.8 D <sub>ISO</sub> = 2.7							539612-1 539663-2	3.0	4.4	6.4	3.3																		
	964269-3	E	1	CuSn4	1																																		
	964269-2	D	1	CuFe2	4																																		
	963904-3	G	1	CuSn4	1	0.5 - 1.0	1.4 - 2.1	E = 2.6 G = 2.8 D <sub>Dr</sub> = 1.2	A	H = 4.5 K = 4.8 D <sub>ISO</sub> = 2.7							539651-2	3.0	4.6	7.0	-																		
	963904-2	F	1	CuFe2	4																																		
	963904-1	F	1	CuSn4	4																																		
	2141884-5	A	2	CuSn4	5	0.35	1.15 - 1.6	E = 2.4 G = 2.3 D <sub>Dr</sub> = 1.0	C	L = 4.8 D <sub>ISO</sub> = 2.6							539663-2	2.5	4.4	6.4	3.3																		
	2141884-3	B	2	CuSn4	1																																		
	2-2141884-2	A	2	CuFe2	5																																		
	2141884-2	A	2	CuFe2	4	0.2 - 0.5	1.15 - 1.6	E = 2.1 G = 2.1 D <sub>Dr</sub> = 0.8	C	X = 4.3 L = 4.8 D <sub>ISO</sub> = 2.6							539612-1 539663-2	2.5	4.4	6.4	3.3																		
	969028-5	A	3	CuSn4	5																																		
	969028-3	E	3	CuSn4	1																																		
	969028-2	D	3	CuFe2	4	0.2 - 0.5	1.15 - 1.6	E = 2.1 G = 2.1 D <sub>Dr</sub> = 0.8	A	H = 4.5 K = 4.8 D <sub>ISO</sub> = 2.7							539651-2	2.5	4.6	7.0	-																		
	963902-3	E	3	CuSn4	1																																		
	963902-2	D	3	CuFe2	4																																		
963902-1	D	3	CuSn4	4	1.5	2.2 - 2.4	E = 2.8 G = 3.0 D <sub>Dr</sub> = 1.4	A	H = 3.5 K = 3.9 D <sub>ISO</sub> = 1.9	539960-1	-	3.0	4.4	6.4	-																								
1241846-5	A	1	CuSn4	5																																			
1241846-3	B	1	CuSn4	1																																			
1241846-2	A	1	CuFe2	4																																			
1241846-1	A	1	CuSn4	4																																			
969079-3	C	1	CuSn4	1	0.5 - 1.0	1.4 - 2.1	E = 2.5 G = 2.8 D <sub>Dr</sub> = 1.2	B	H = 3.7 K = 3.9 D <sub>ISO</sub> = 1.8							539612-1 539663-2	3.0	4.4	6.4	-																			
969079-2	B	1	CuFe2	4																																			
964267-4	A	1	CuSn4	5																																			
964267-3	D	1	CuSn4	1	0.5 - 1.0	1.4 - 2.1	E = 2.5 G = 2.7 D <sub>Dr</sub> = 1.2	A	H = 3.2 K = 3.4 D <sub>ISO</sub> = 1.8												539651-2	3.0	4.6	7.0	-														
964267-2	C	1	CuFe2	4																																			
964267-1	C	1	CuSn4	4																																			
963900-4	E	1	CuSn4	1	0.5 - 1.0	1.4 - 2.1	E = 2.6 G = 2.8 D <sub>Dr</sub> = 1.2	A	H = 3.2 K = 3.4 D <sub>ISO</sub> = 1.8																	539651-2	2.5	4.6	7.0	-									
963900-3	E	1	CuSn4	1																																			
963900-2	D	1	CuFe2	4																																			
963900-1	D	1	CuSn4	4	0.2 - 0.5	1.15 - 1.6	E = 2.1 G = 2.1 D <sub>Dr</sub> = 0.8	A	H = 2.9 K = 2.9 D <sub>ISO</sub> = 1.4																						539633-2	2.5	4.4	6.4	-				
963898-3	E	3	CuSn4	1																																			
963898-2	D	3	CuFe2	4																																			
963898-1	D	3	CuSn4	4	0.22 - 0.35	1.15 - 1.6	E = 2.4 G = 2.3 D <sub>Dr</sub> = 1.0	A	H = 2.9 K = 2.9 D <sub>ISO</sub> = 1.4																											539612-1 539663-2	2.5	4.4	6.4
2141882-3	B	2	CuSn4	1																																			
2141882-2	A	2	CuFe2	4																																			
964265-5	A	3	CuSn4	5	0.2 - 0.35	1.15 - 1.6	E = 2.1 G = 2.1 D <sub>Dr</sub> = 0.8	A	H = 2.9 K = 2.9 D <sub>ISO</sub> = 1.4	539612-1 539663-2	2.5	4.4	6.4	-																									
964265-3	D	3	CuSn4	1																																			
964265-2	C	3	CuFe2	4																																			

SEE APPLICATION SPECIFICATION 114-18082  
siehe Verarbeitungsspezifikation 114-18082

TE ORDER-NO.	REV	DESIGN SERRATIONS Ausfuehrung Serrations	MATERIAL Werkstoff	SURFACE Oberflaeche	DGB mm <sup>2</sup>	INSULATION Isolationsø	STRIP FORM WIRE CRIMP INSUL. CRIMP Drahtcrimp Isolationscrimp Bandware	HAND TOOL Handzange	INSERT Matrize	A	B	C	X	TE ORDER-NO. EXTRACTION TOOL Ausdruckwerkzeug	CRIMP DATA AND CRIMP TOOL Crimpdata und Crimpwerkzeuge
						mm	CRIMP DIMENSION mm Crimpabmessungen mm			DIMENSION mm Abmessung mm					

THIS DRAWING IS A CONTROLLED DOCUMENT. OWN: T. Bertsch 11JUN1997  
 CHK: U. Muenk 11JUN1997  
 APPV: M. Bleicher 02MAR2011

**STE** TE Connectivity

PRODUCT GROUP DRAWING  
 TAB 1.6 x 0.6 TYPE A  
 Flachsfecker 1.6 x 0.6 Typ A

SIZE: A1 CAGE CODE: 00779 DRAWING NO: 114-18082  
 SCALE: 10:1 SHEET: 2 OF 2

MATERIAL: SEE TABLE sheet 2  
 FINISH: SEE TABLE sheet 2  
 WEIGHT: -  
 CUSTOMER DRAWING

## X-ON Electronics

Largest Supplier of Electrical and Electronic Components

*Click to view similar products for [Automotive Connectors](#) category:*

*Click to view products by [TE Connectivity](#) manufacturer:*

Other Similar products are found below :

[003-018-000](#) [60403001](#) [60993906-B](#) [M902-2131](#) [M902-2161](#) [72.330.1035.1](#) [73.353.4028.0](#) [F119300-B](#) [F166900](#) [F258300-B](#) [F358300-B](#)  
[F407400](#) [F444110](#) [F487000](#) [F509500B-B](#) [827153-1](#) [8N1515-32-24P](#) [9-1326729-8](#) [925474-1](#) [928905-1](#) [964562-4](#) [968782-1](#) [GT17SA-8DS-](#)  
[HU](#) [98891-1012](#) [98947-1016](#) [12004147](#) [12004475-L](#) [12010290](#) [12010309-B](#) [12015454](#) [12020219-B](#) [12020308](#) [12041318-B](#) [12052225-L](#)  
[12052466](#) [12059125](#) [12064869](#) [12004327-B](#) [12010503-B](#) [12015308](#) [12015384](#) [12015909](#) [1-21030-1](#) [12041254](#) [12041318](#) [12047946-B](#)  
[12047957](#) [12047957-L](#) [12059473](#) [12066261](#)