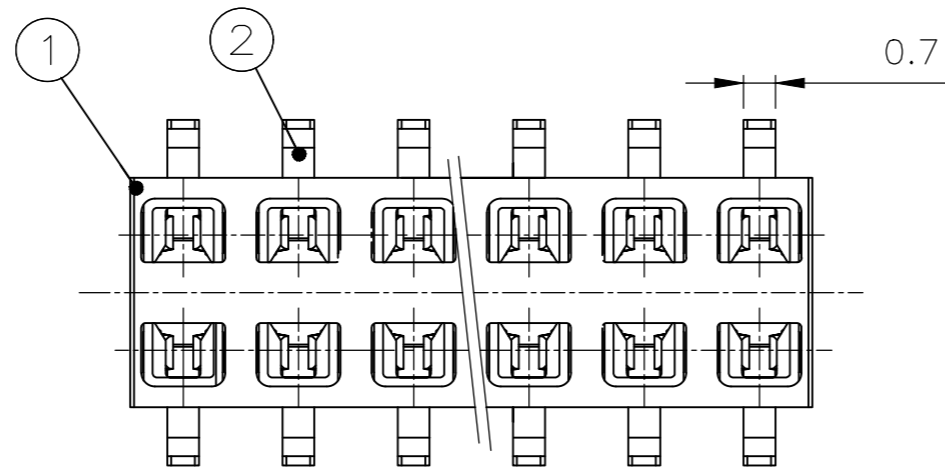
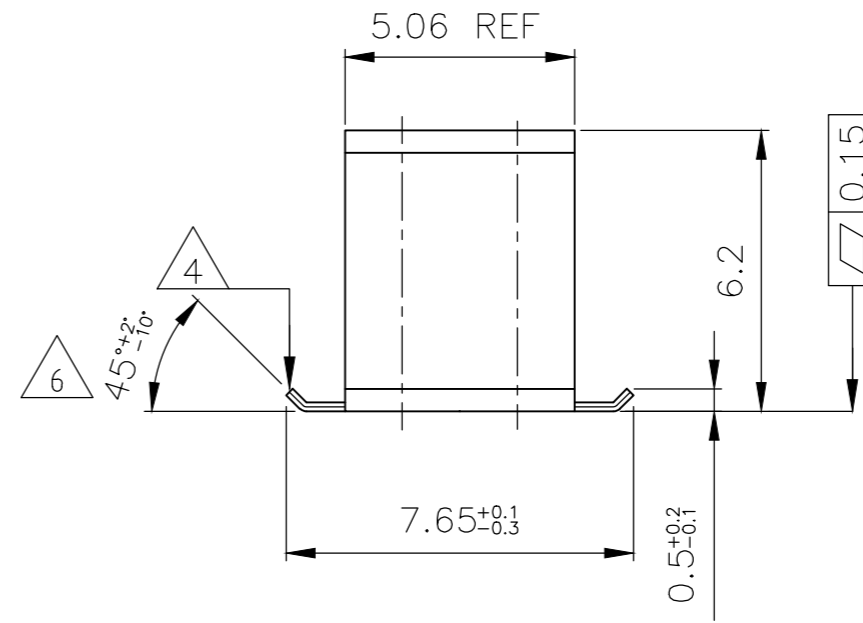
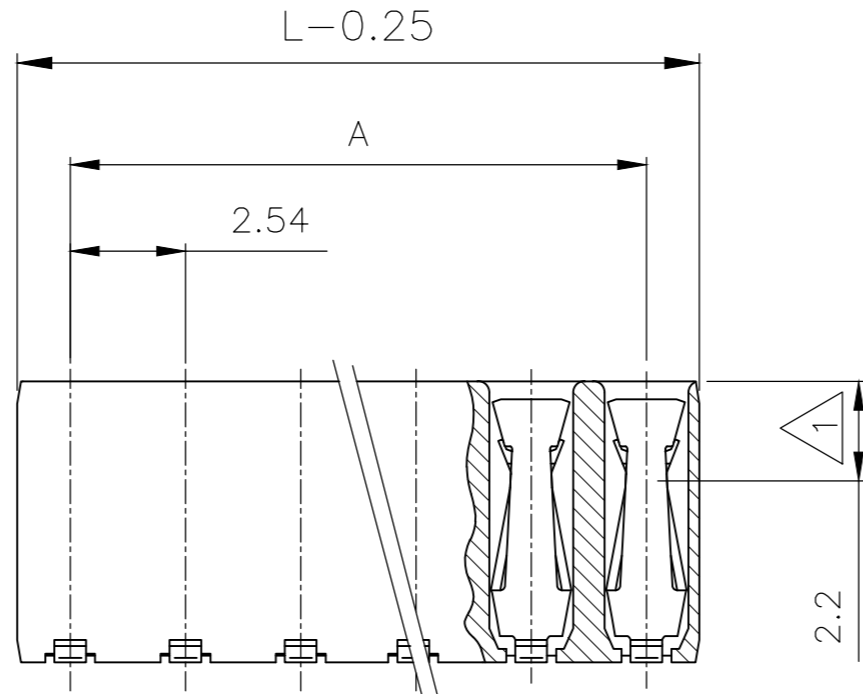
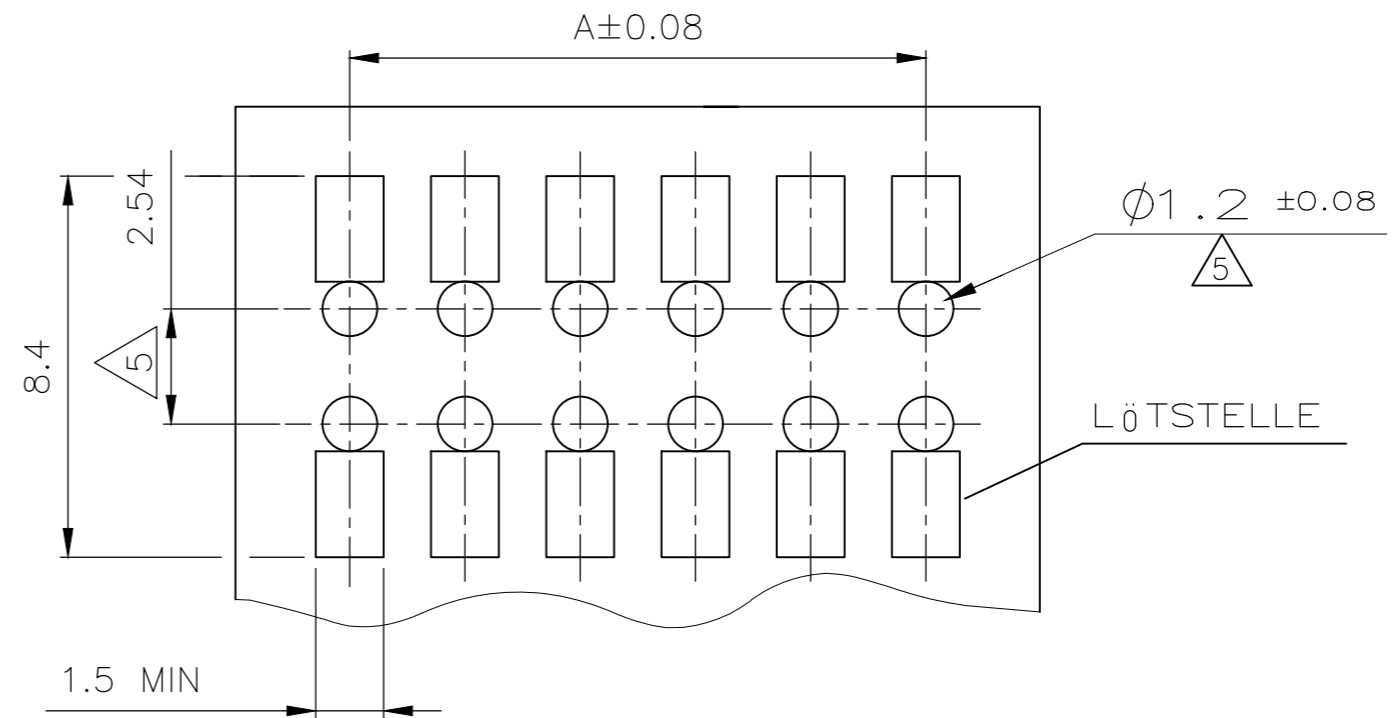


REVISIONS					
P	LTR	DESCRIPTION	DATE	DWN	APVD
E4		5-5 AND 5-7 ADDED	22OCT2020	DV	KJK

Polz.	L _{-0.25}	A
-	-	-
2	4.88	2.54
3	7.42	5.08
4	9.96	7.62
5	12.5	10.16
6	15.04	12.7
7	17.58	15.24
8	20.12	17.78
9	22.66	20.32
10	25.2	22.86
11	27.24	25.4
12	30.28	27.94
13	32.82	30.48
14	35.36	33.02
15	37.90	35.56
16	40.44	38.10
17	42.98	40.64
18	45.52	43.18
19	48.06	45.72
20	50.60	48.26



EMPFOHLENES LEITERPLATTEN LAYOUT



NOTES:

- 1 EDGE CONTACT KONTAKTPUNKT
- 2 CONTACT RANGE: 0.8µm GOLD OVER 1.3µm Ni
SOLDERING RANGE: 2.5µm TIN OVER 1.3µm Ni
KONTAKTBEREICH: 0.8µm GOLD ÜBER 1.3µm Ni
LÖTBEREICH: 2.5µm ZINN ÜBER 1.3µm Ni
- 3 CAN BE PLUGGED IN WITH MODU II PINS Ø0.63 OR □0.63 TOP OR BOTTOM ENTRY.
STECKBAR MIT MODU II STIFTEN Ø0.63 ODER □0.63 TOP ODER BOTTOM ENTRY.
- 4 PLANE OF SECTION BLANK SCHNITTFLÄCHE BLANK
- 5 ONLY WITH THE BOTTOM ENTRY NUR BEI BOTTOM ENTRY
- 6 BEND ANGLE WILL BE 80°±5° WHEN PRODUCED AT DIFFERENT EQUIPMENT (SEMI-AUTOMATIC) DUE TO CAPACITY OR MIX OF LOAD.

2	-	HV 100 KONTAKT / HV 100 CONTACT	Cu Sn	2	
1	-	HV 100 GEHÄUSE / HV 100 HOUSING	LCP	1	
POS.	STÜCK / PIECE	BENENNUNG EINZELTEIL PART DESCRIPTION	WERKSTOFF MATERIAL	OBERFLÄCHE / FARBE SURFACE / COLOR	SI No

THIS DRAWING IS A CONTROLLED DOCUMENT.		DWN M. STEIN 20-OCT-97			
DIMENSIONS: mm		CHK F. REICHARDT 20-OCT-97			
TOLERANCES UNLESS OTHERWISE SPECIFIED: TOL ± 0.2		APVD G. Feldmeier	NAME HV100 REC. CONNECTOR, SMD, DOUBLE ROW WITH ADAPTER PACKED IN BLISTER BELT		
		PRODUCT SPEC 108-19056	DRAWING NO A2 00779		
MATERIAL SEE TABLE		FINISH SEE TABLE	CAGE CODE 00779		
		WEIGHT	DRAWING NO C=969973		
		CUSTOMER DRAWING	RESTRICTED TO		
		SCALE 1:2	SHEET 1 OF 4		
			REV E4		

4

3

2

1

THIS DRAWING IS UNPUBLISHED. RELEASED FOR PUBLICATION OCT. 1997.
 © COPYRIGHT 2010 - ALL RIGHTS RESERVED.

REVISIONS

P	LTR	DESCRIPTION	DATE	DWN	APVD
-	SEE SHEET 1		-	-	-

VIEW Y
ANSICHT Y M1:1

X SEE SHEET 2 OF 2
SIEHE SEITE 2 VON 2

POS.	DESCRIPTION / BENENNUNG	SURFACE / OBERFLAECHE COLOUR / FARBE	MATERIAL
5	HV 100 CONNECTOR, SMD, 2x20pos HV 100 BUCHSENSTECKER, SMD, 2x20pol.		
5	HV 100 CONNECTOR, SMD, 2x19pos HV 100 BUCHSENSTECKER, SMD, 2x19pol.		
5	HV 100 CONNECTOR, SMD, 2x18pos HV 100 BUCHSENSTECKER, SMD, 2x18pol.		
5	HV 100 CONNECTOR, SMD, 2x17pos HV 100 BUCHSENSTECKER, SMD, 2x17pol.		
5	HV 100 CONNECTOR, SMD, 2x16pos HV 100 BUCHSENSTECKER, SMD, 2x16pol.		
5	HV 100 CONNECTOR, SMD, 2x15pos HV 100 BUCHSENSTECKER, SMD, 2x15pol.		
5	HV 100 CONNECTOR, SMD, 2x14pos HV 100 BUCHSENSTECKER, SMD, 2x14pol.		
5	HV 100 CONNECTOR, SMD, 2x13pos HV 100 BUCHSENSTECKER, SMD, 2x13pol.		
5	HV 100 CONNECTOR, SMD, 2x12pos HV 100 BUCHSENSTECKER, SMD, 2x12pol.		
5	HV 100 CONNECTOR, SMD, 2x11pos HV 100 BUCHSENSTECKER, SMD, 2x11pol.		
5	HV 100 CONNECTOR, SMD, 2x10pos HV 100 BUCHSENSTECKER, SMD, 2x10pol.		
5	HV 100 CONNECTOR, SMD, 2x9pos HV 100 BUCHSENSTECKER, SMD, 2x9pol.		
5	HV 100 CONNECTOR, SMD, 2x8pos HV 100 BUCHSENSTECKER, SMD, 2x8pol.		
5	HV 100 CONNECTOR, SMD, 2x7pos HV 100 BUCHSENSTECKER, SMD, 2x7pol.		
5	HV 100 CONNECTOR, SMD, 2x6pos HV 100 BUCHSENSTECKER, SMD, 2x6pol.		
5	HV 100 CONNECTOR, SMD, 2x5pos HV 100 BUCHSENSTECKER, SMD, 2x5pol.		
5	HV 100 CONNECTOR, SMD, 2x4pos HV 100 BUCHSENSTECKER, SMD, 2x4pol.		
5	HV 100 CONNECTOR, SMD, 2x3pos HV 100 BUCHSENSTECKER, SMD, 2x3pol.		
5	HV 100 CONNECTOR, SMD, 2x2pos HV 100 BUCHSENSTECKER, SMD, 2x2pol.		
4	ADAPTER	LCP	BLACK / SCHWARZ
4	ADAPTER	LCP	BLACK / SCHWARZ
3	COVER TAPE/ABDECKFOLIE 65.4mm	PET	TRANSPARENT
3	COVER TAPE/ABDECKFOLIE 49.4mm	PET	TRANSPARENT
3	COVER TAPE/ABDECKFOLIE 37.4mm	PET	TRANSPARENT
3	COVER TAPE/ABDECKFOLIE 25.4mm	PET	TRANSPARENT
2	BLISTER BELT/BLISTERGURT 72mm	PS	BLACK
2	BLISTER BELT/BLISTERGURT 56mm	PS	BLACK
2	BLISTER BELT/BLISTERGURT 44mm	PS	BLACK
2	BLISTER BELT/BLISTERGURT 32mm	PS	BLACK
1	REEL Ø380/150x80.4	PS	GREY / GRAU
1	REEL Ø330/150x62.4	PS	GREY / GRAU
1	REEL Ø330/150x50.4	PS	GREY / GRAU
1	REEL Ø330x150x38.4	PS	GREY / GRAU

NOTES:
 1 SEE SHEET 1 OF 3
 2 PACKING: 600 CONNECTORS WITH ADAPTER PER REEL
 7.8m BLISTER PER REEL
 7.8m COVER TAPE PER REEL
 3 DIRECTION OF THE TOP OF THE REEL
 4 COVER TAPE WITH BLISTER BELT WELDED
 5 PACKING: 700 CONNECTORS WITH ADAPTER PER REEL
 9m BLISTER PER REEL
 9m COVER TAPE PER REEL
 6 PACKING: 700 CONNECTORS WITHOUT ADAPTER PER REEL
 9m BLISTER PER REEL
 9m COVER TAPE PER REEL

BEMERKUNGEN:
 1 SIEHE BLATT 1 VON 3
 2 VERPACKUNG: 600 BUCHSENSTECKER MIT ADAPTER PRO SPULE
 7.8m BLISTER PRO SPULE
 7.8m ABDECKFOLIE PRO SPULE
 3 ABWICKELRICHTUNG
 4 ABDECKFOLIE MIT BLISTERGURT VERSCHWEIßT
 5 VERPACKUNG: 700 BUCHSENSTECKER MIT ADAPTER PRO SPULE
 9m BLISTER PRO SPULE
 9m ABDECKFOLIE PRO SPULE
 6 VERPACKUNG: 700 BUCHSENSTECKER OHNE ADAPTER PRO SPULE
 9m BLISTER PRO SPULE
 9m ABDECKFOLIE PRO SPULE

OBSOLETE OBSOLETE OBSOLETE

THIS DRAWING IS A CONTROLLED DOCUMENT.

DIMENSIONS: mm	TOLERANCES UNLESS OTHERWISE SPECIFIED: 0 PLC ± 0.2 1 PLC ± 0.1 2 PLC ± 0.1 3 PLC ± - 4 PLC ± - ANGLES ± -	MATERIAL SEE TABLE	FINISH SEE TABLE
-------------------	---	-----------------------	---------------------

DWN	M. STEIN	20-OCT-97
CHK	F. REICHARDT	20-OCT-97
APVD	G. Feldmeier	
PRODUCT SPEC	108-19056	
APPLICATION SPEC		

STE TE Connectivity

HV100 REC. CONNECTOR, SMD, DOUBLE ROW
WITH ADAPTER PACKED IN BLISTER BELT

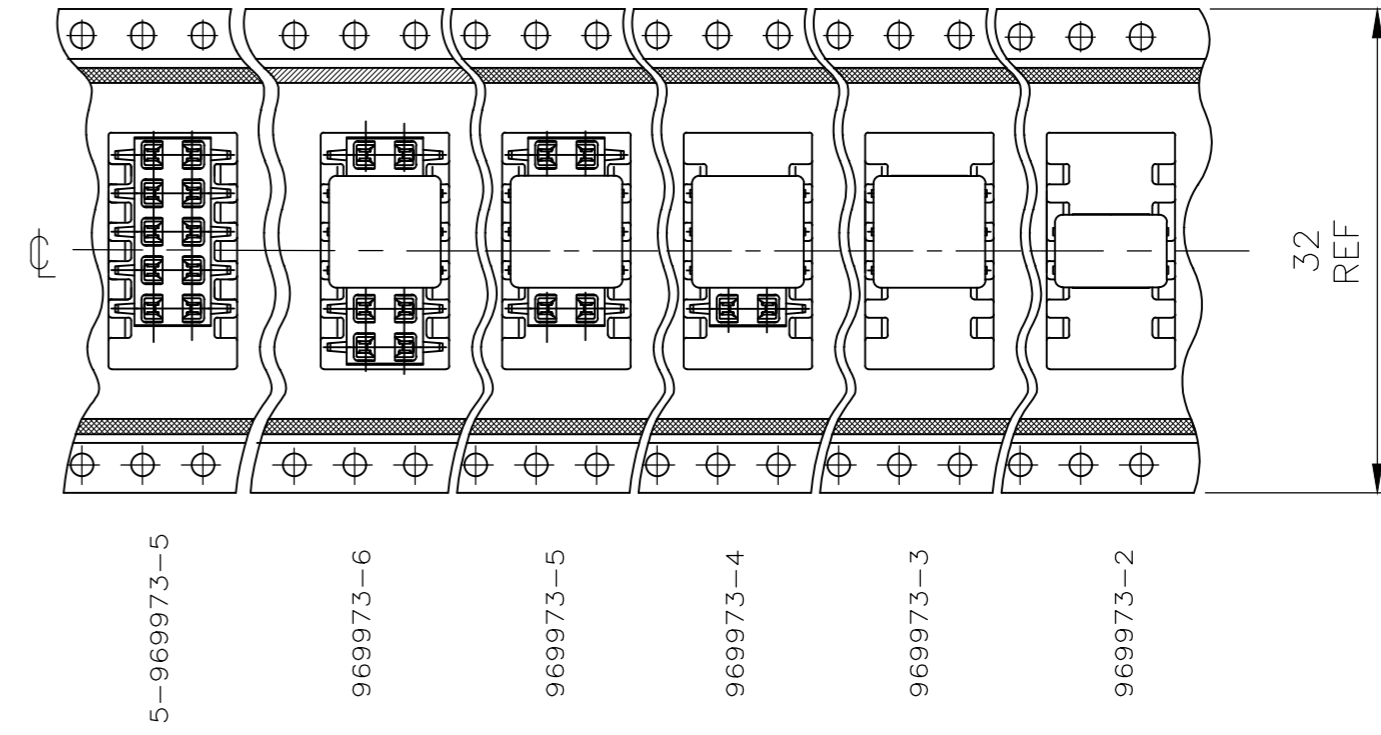
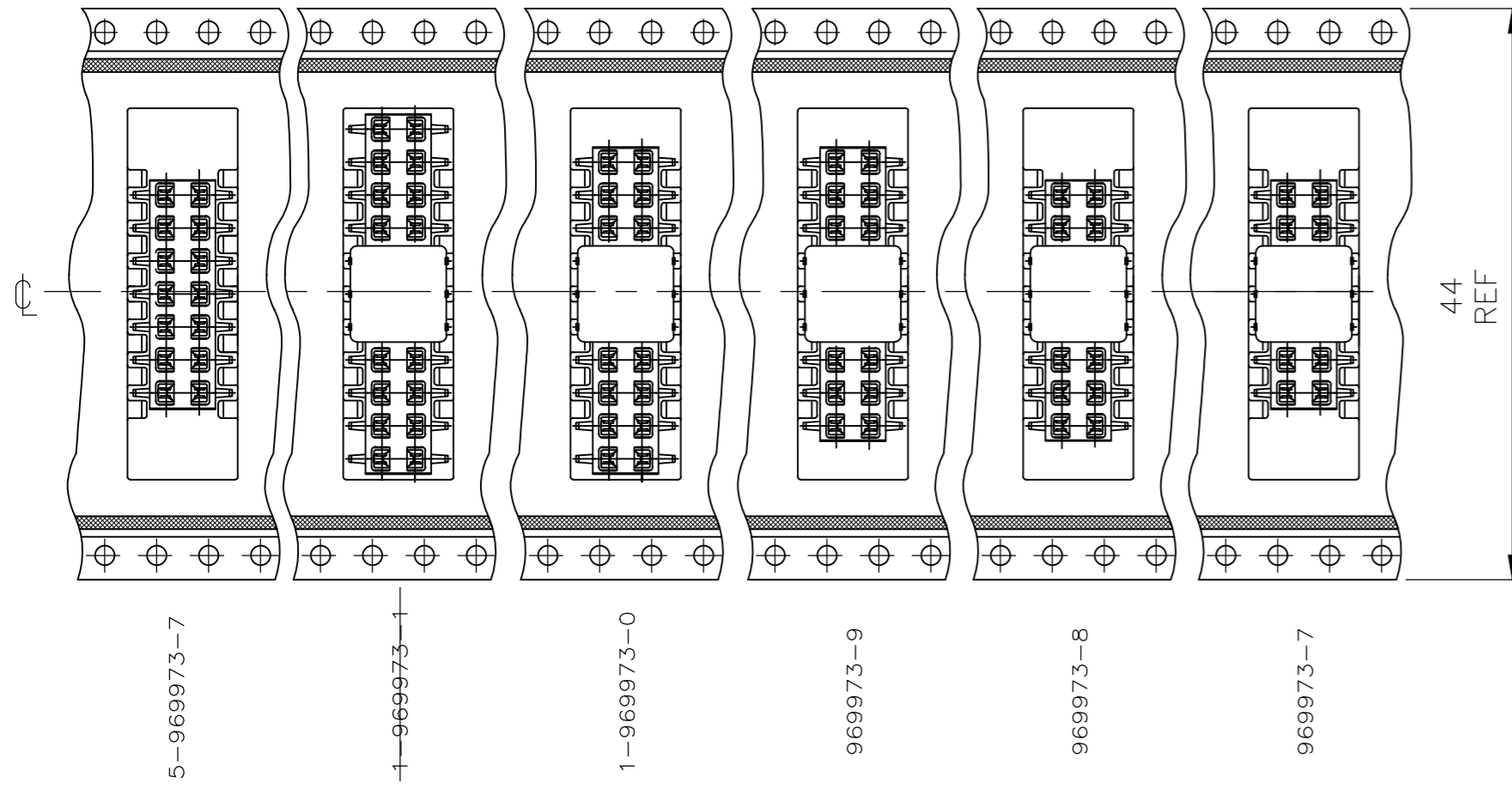
SIZE	A2	CAGE CODE	00779	DRAWING NO.	C-969973	RESTRICTED TO	-
WEIGHT		SCALE	1:2	SHEET	2 of 4	REV	E4

CUSTOMER DRAWING

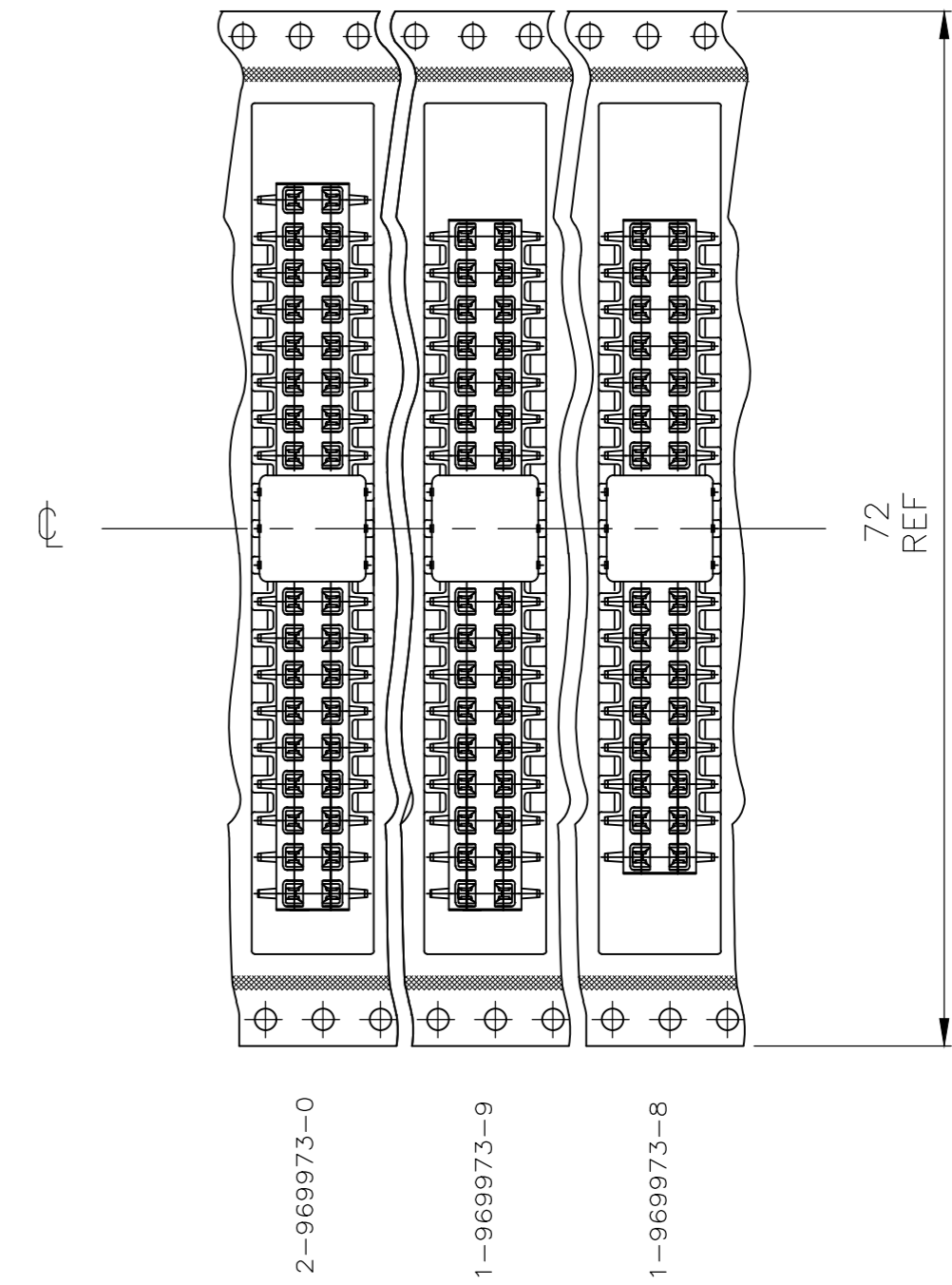
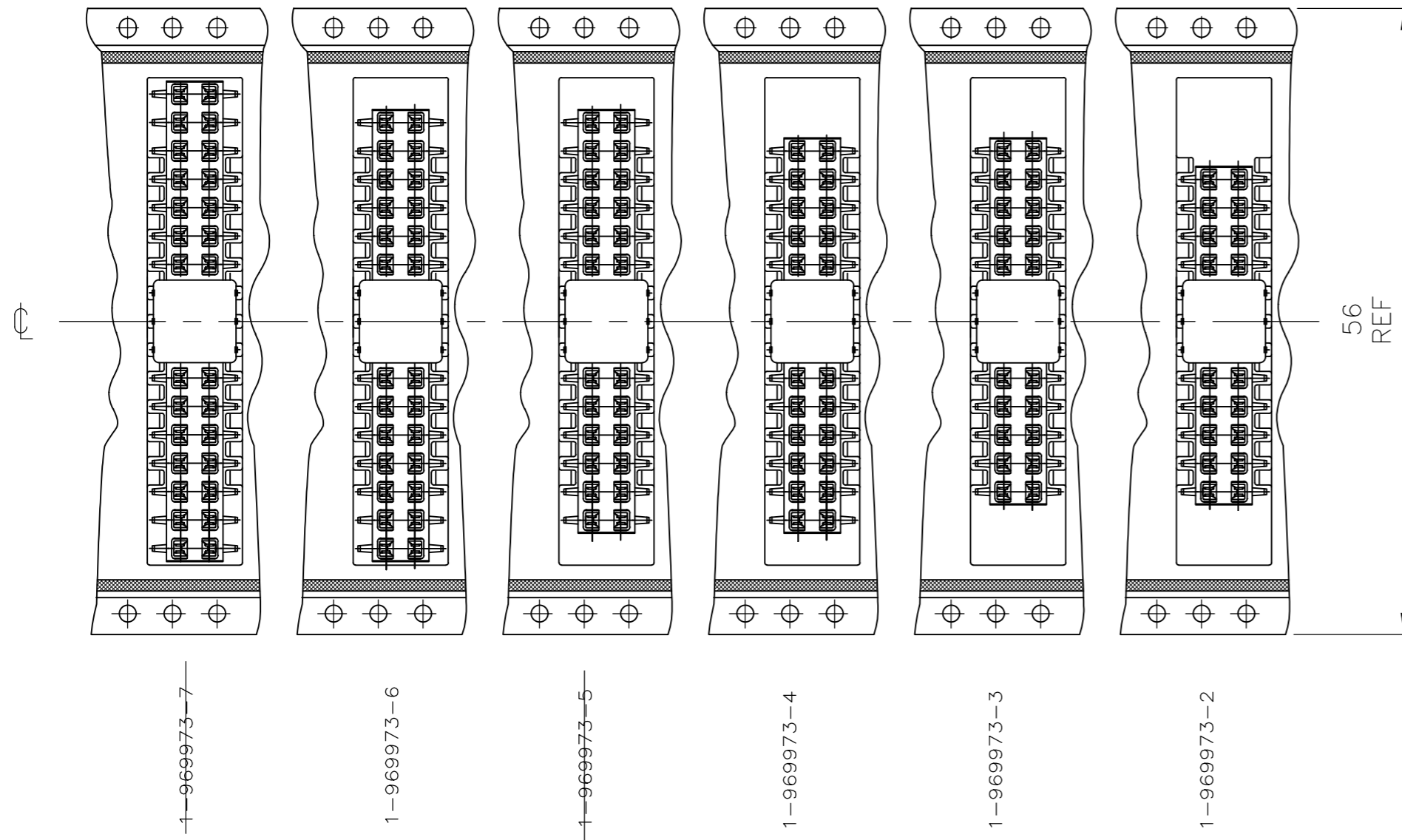
1471-9 (1/15)

REVISIONS					
P	LTR	DESCRIPTION	DATE	DWN	APVD
-	-	SEE SHEET 1	-	-	-

DETAIL X
EINZELHEIT X



ABWICKELRICHTUNG
DIRECTION OF THE TOP OF THE REEL



THIS DRAWING IS A CONTROLLED DOCUMENT.		DWN M. STEIN 20-OCT-97	TE Connectivity	
		CHK F. REICHARDT 20-OCT-97		
DIMENSIONS: mm		APVD G. Feldmeier	NAME HV100 REC. CONNECTOR, SMD, DOUBLE ROW WITH ADAPTER PACKED IN BLISTER BELT	
		PRODUCT SPEC 108-19056	SIZE A2	
TOLERANCES UNLESS OTHERWISE SPECIFIED: 0 PLC ± 0.2 1 PLC ± 0.1 2 PLC ± 0.1 3 PLC ± - 4 PLC ± - ANGLES ± -		APPLICATION SPEC -	CAGE CODE 00779	DRAWING NO C=969973
MATERIAL SEE TABLE		FINISH SEE TABLE	RESTRICTED TO -	
		WEIGHT -	SCALE 1:2	
		CUSTOMER DRAWING		SHEET 3 of 4
				REV E4

X-ON Electronics

Largest Supplier of Electrical and Electronic Components

Click to view similar products for [Headers & Wire Housings](#) category:

Click to view products by [TE Connectivity](#) manufacturer:

Other Similar products are found below :

[892-18-020-10-001101](#) [58102-G61-06LF](#) [582553-1](#) [0009485154](#) [009176003701906](#) [0050291907](#) [LY20-4P-DT1-P1E-BR](#) [02.125.8002.8](#)
[609-3404](#) [61062-3](#) [61082-181009](#) [622-3653LF](#) [63453-116](#) [636-1030](#) [636-1427](#) [636-3427](#) [636-4007](#) [641938-9](#) [641991-4](#) [644827-2](#) [65817-](#)
[010LF](#) [65817-015LF](#) [65863-015LF](#) [66207-023LF](#) [67095-007LF](#) [67601157](#) [68645-018](#) [68648-049](#) [70.362.1628.0](#) [70-4210](#) [70-4226B](#) [70-](#)
[4853B](#) [707-5020](#) [707-5028](#) [71.350.2428.0](#) [71918-208LF](#) [71961-016LF](#) [733-134](#) [733-162](#) [754199-000](#) [760-3052](#) [787-8014-00](#) [79531-3000](#)
[FCN-360C032-B](#) [FCN-367T-T012/H](#) [FCN-723D010/2](#) [80.063.4001.1](#) [800-90-001-10-001000](#) [800-90-010-10-002000](#) [801-43-002-10-013000](#)