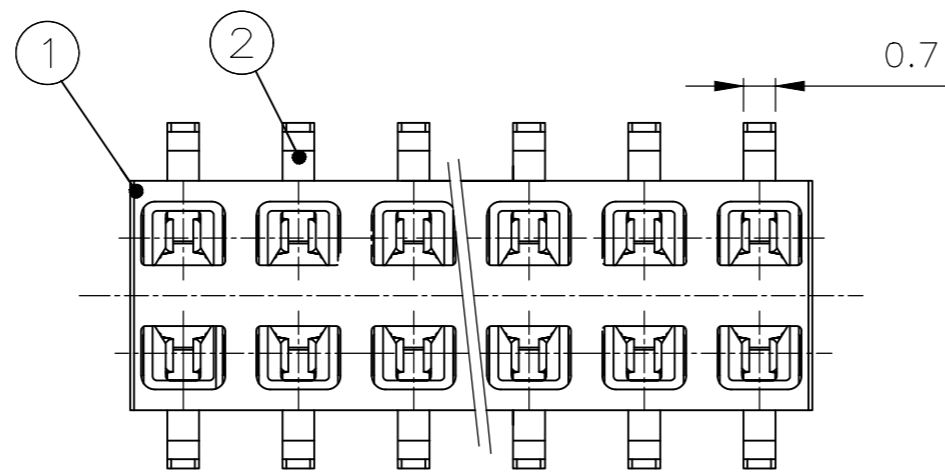
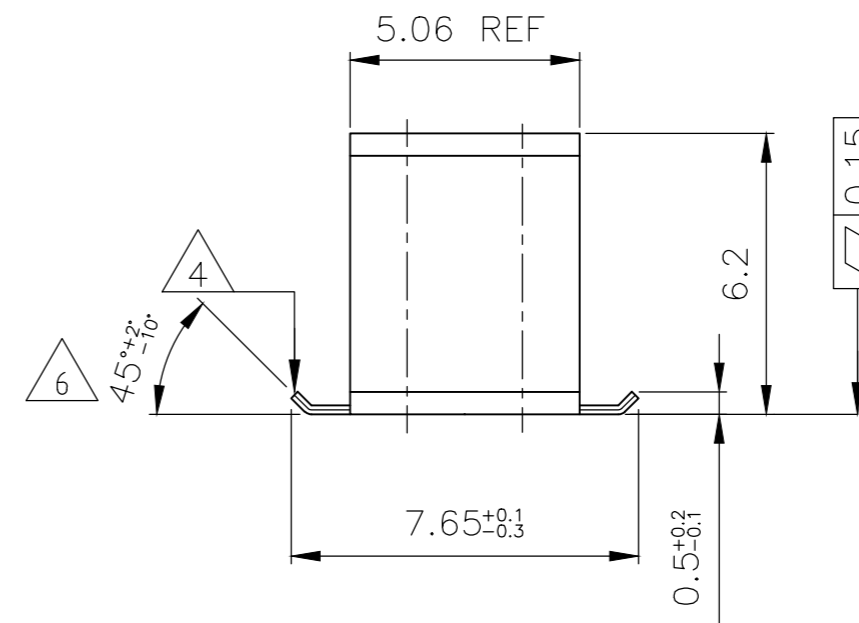
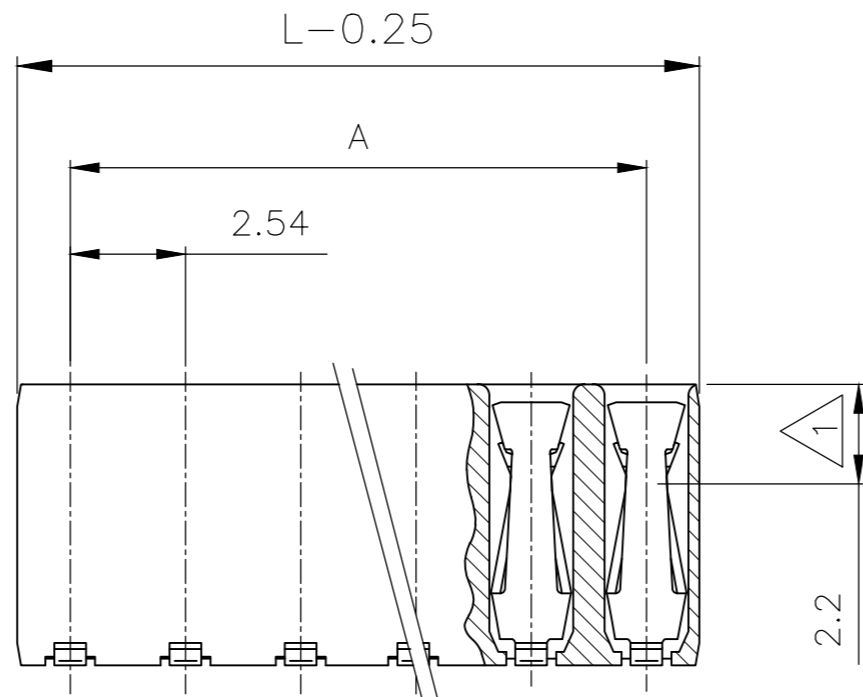
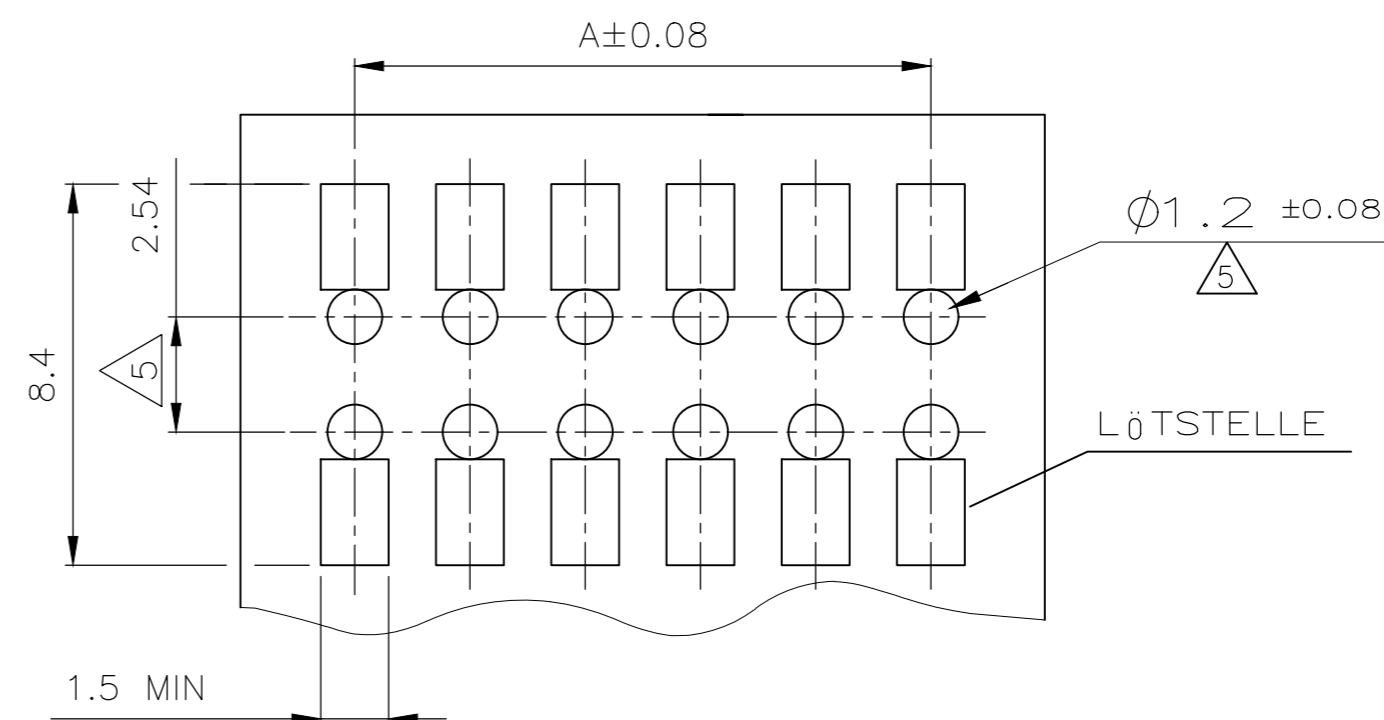


REVISIONS					
P	LTR	DESCRIPTION	DATE	DWN	APVD
E4		5-5 AND 5-7 ADDED	22OCT2020	DV	KJK

Polz.	L <sub>-0.25</sub>	A
-	-	-
2	4.88	2.54
3	7.42	5.08
4	9.96	7.62
5	12.5	10.16
6	15.04	12.7
7	17.58	15.24
8	20.12	17.78
9	22.66	20.32
10	25.2	22.86
11	27.24	25.4
12	30.28	27.94
13	32.82	30.48
14	35.36	33.02
15	37.90	35.56
16	40.44	38.10
17	42.98	40.64
18	45.52	43.18
19	48.06	45.72
20	50.60	48.26



EMPFOHLENES LEITERPLATTEN LAYOUT



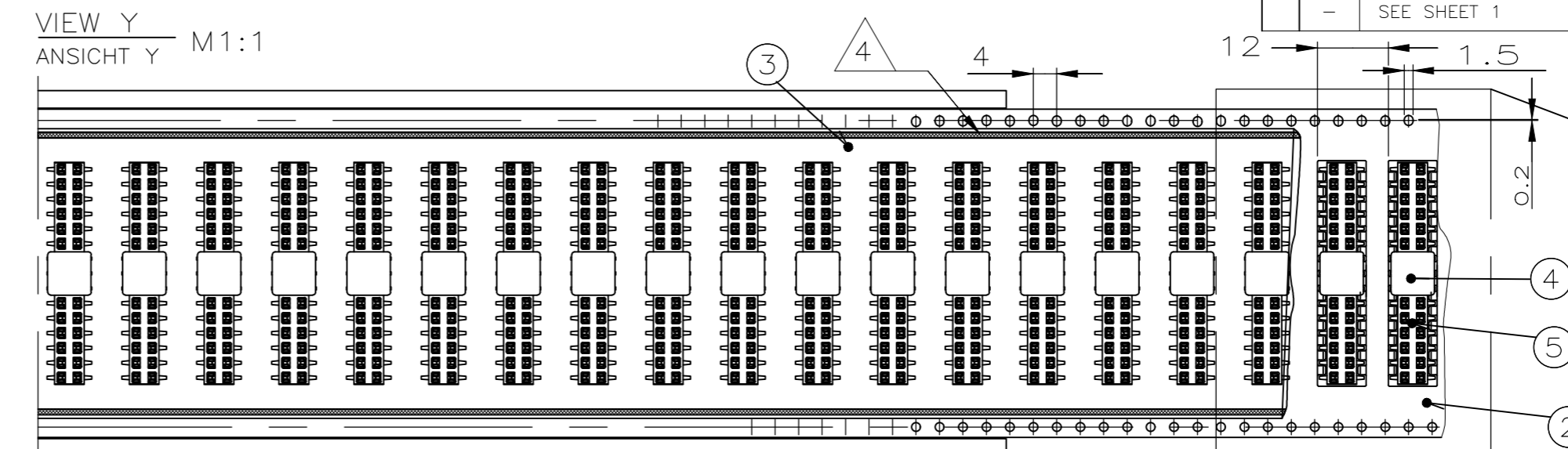
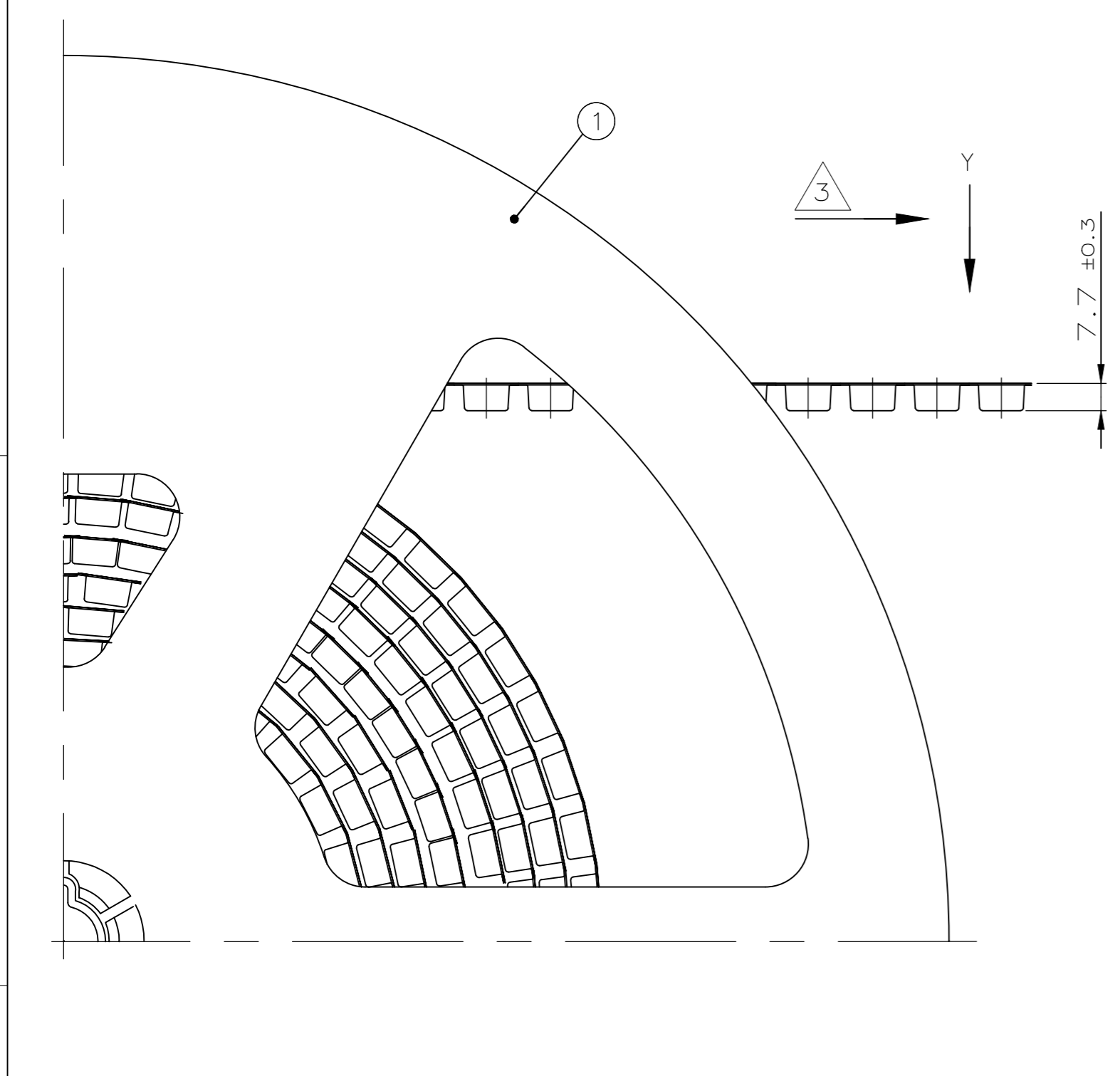
NOTES:

- 1 EDGE CONTACT KONTAKTPUNKT
- 2 CONTACT RANGE: 0.8µm GOLD OVER 1.3µm Ni  
SOLDERING RANGE: 2.5µm TIN OVER 1.3µm Ni  
KONTAKTBEREICH: 0.8µm GOLD ÜBER 1.3µm Ni  
LÖTBEREICH: 2.5µm ZINN ÜBER 1.3µm Ni
- 3 CAN BE PLUGGED IN WITH MODU II PINS Ø0.63 OR □0.63 TOP OR BOTTOM ENTRY.  
STECKBAR MIT MODU II STIFTEN Ø0.63 ODER □0.63 TOP ODER BOTTOM ENTRY.
- 4 PLANE OF SECTION BLANK SCHNITTFLÄCHE BLANK
- 5 ONLY WITH THE BOTTOM ENTRY NUR BEI BOTTOM ENTRY
- 6 BEND ANGLE WILL BE 80°±5° WHEN PRODUCED AT DIFFERENT EQUIPMENT ( SEMI-AUTOMATIC ) DUE TO CAPACITY OR MIX OF LOAD.

2	-	HV 100 KONTAKT / HV 100 CONTACT	Cu Sn	2	
1	-	HV 100 GEHÄUSE / HV 100 HOUSING	LCP	1	
POS.	STÜCK / PIECE	BENENNUNG EINZELTEIL PART DESCRIPTION	WERKSTOFF MATERIAL	OBERFLÄCHE / FARBE SURFACE / COLOR	SI No

THIS DRAWING IS A CONTROLLED DOCUMENT.		DWN M. STEIN 20-OCT-97			
DIMENSIONS: mm		CHK F. REICHARDT 20-OCT-97			
TOLERANCES UNLESS OTHERWISE SPECIFIED: TOL ± 0.2		APVD G. Feldmeier	NAME HV100 REC. CONNECTOR, SMD, DOUBLE ROW WITH ADAPTER PACKED IN BLISTER BELT		
		PRODUCT SPEC 108-19056	SIZE A2	CAGE CODE 00779	DRAWING NO C=969973
MATERIAL SEE TABLE		FINISH SEE TABLE	WEIGHT	RESTRICTED TO	
CUSTOMER DRAWING			SCALE 1:2	SHEET 1 OF 4	REV E4

REVISIONS		DESCRIPTION	DATE	DWN	APVD
P	LTR	SEE SHEET 1	-	-	-



X SEE SHEET 2 OF 2  
SIEHE SEITE 2 VON 2

- NOTES:**
- ① SEE SHEET 1 OF 3
  - ② PACKING: 600 CONNECTORS WITH ADAPTER PER REEL  
7.8m BLISTER PER REEL  
7.8m COVER TAPE PER REEL
  - ③ DIRECTION OF THE TOP OF THE REEL
  - ④ COVER TAPE WITH BLISTER BELT WELDED
  - ⑤ PACKING: 700 CONNECTORS WITH ADAPTER PER REEL  
9m BLISTER PER REEL  
9m COVER TAPE PER REEL
  - ⑥ PACKING: 700 CONNECTORS WITHOUT ADAPTER PER REEL  
9m BLISTER PER REEL  
9m COVER TAPE PER REEL

- BEMERKUNGEN:**
- ① SIEHE BLATT 1 VON 3
  - ② VERPACKUNG: 600 BUCHSENSTECKER MIT ADAPTER PRO SPULE  
7.8m BLISTER PRO SPULE  
7.8m ABDECKFOLIE PRO SPULE
  - ③ ABWICKELRICHTUNG
  - ④ ABDECKFOLIE MIT BLISTERGURT VERSCHWEIßT
  - ⑤ VERPACKUNG: 700 BUCHSENSTECKER MIT ADAPTER PRO SPULE  
9m BLISTER PRO SPULE  
9m ABDECKFOLIE PRO SPULE
  - ⑥ VERPACKUNG: 700 BUCHSENSTECKER OHNE ADAPTER PRO SPULE  
9m BLISTER PRO SPULE  
9m ABDECKFOLIE PRO SPULE

	1																			5	HV 100 CONNECTOR, SMD, 2x20pos HV 100 BUCHSENSTECKER, SMD, 2x20pol.	1	1	
		1																		5	HV 100 CONNECTOR, SMD, 2x19pos HV 100 BUCHSENSTECKER, SMD, 2x19pol.	1	1	
			1																	5	HV 100 CONNECTOR, SMD, 2x18pos HV 100 BUCHSENSTECKER, SMD, 2x18pol.	1	1	
				1																5	HV 100 CONNECTOR, SMD, 2x17pos HV 100 BUCHSENSTECKER, SMD, 2x17pol.	1	1	
					1															5	HV 100 CONNECTOR, SMD, 2x16pos HV 100 BUCHSENSTECKER, SMD, 2x16pol.	1	1	
						1														5	HV 100 CONNECTOR, SMD, 2x15pos HV 100 BUCHSENSTECKER, SMD, 2x15pol.	1	1	
							1													5	HV 100 CONNECTOR, SMD, 2x14pos HV 100 BUCHSENSTECKER, SMD, 2x14pol.	1	1	
								1												5	HV 100 CONNECTOR, SMD, 2x13pos HV 100 BUCHSENSTECKER, SMD, 2x13pol.	1	1	
									1											5	HV 100 CONNECTOR, SMD, 2x12pos HV 100 BUCHSENSTECKER, SMD, 2x12pol.	1	1	
										1										5	HV 100 CONNECTOR, SMD, 2x11pos HV 100 BUCHSENSTECKER, SMD, 2x11pol.	1	1	
											1									5	HV 100 CONNECTOR, SMD, 2x10pos HV 100 BUCHSENSTECKER, SMD, 2x10pol.	1	1	
												1								5	HV 100 CONNECTOR, SMD, 2x9pos HV 100 BUCHSENSTECKER, SMD, 2x9pol.	1	1	
													1							5	HV 100 CONNECTOR, SMD, 2x8pos HV 100 BUCHSENSTECKER, SMD, 2x8pol.	1	1	
1														1						5	HV 100 CONNECTOR, SMD, 2x7pos HV 100 BUCHSENSTECKER, SMD, 2x7pol.	1	1	
															1					5	HV 100 CONNECTOR, SMD, 2x6pos HV 100 BUCHSENSTECKER, SMD, 2x6pol.	1	1	
	1																			5	HV 100 CONNECTOR, SMD, 2x5pos HV 100 BUCHSENSTECKER, SMD, 2x5pol.	1	1	
																				5	HV 100 CONNECTOR, SMD, 2x4pos HV 100 BUCHSENSTECKER, SMD, 2x4pol.	1	1	
																				5	HV 100 CONNECTOR, SMD, 2x3pos HV 100 BUCHSENSTECKER, SMD, 2x3pol.	1	1	
																				5	HV 100 CONNECTOR, SMD, 2x2pos HV 100 BUCHSENSTECKER, SMD, 2x2pol.	1	1	
																					4	ADAPTER	LCP	BLACK / SCHWARZ
																					4	ADAPTER	LCP	BLACK / SCHWARZ
																					3	COVER TAPE/ABDECKFOLIE 65.4mm	PET	TRANSPARENT
																					3	COVER TAPE/ABDECKFOLIE 49.4mm	PET	TRANSPARENT
																					3	COVER TAPE/ABDECKFOLIE 37.4mm	PET	TRANSPARENT
																					3	COVER TAPE/ABDECKFOLIE 25.4mm	PET	TRANSPARENT
																					2	BLISTER BELT/BLISTERGURT 72mm	PS	BLACK
																					2	BLISTER BELT/BLISTERGURT 56mm	PS	BLACK
																					2	BLISTER BELT/BLISTERGURT 44mm	PS	BLACK
																					2	BLISTER BELT/BLISTERGURT 32mm	PS	BLACK
																					1	REEL Ø380/150x80.4	PS	GREY / GRAU
																					1	REEL Ø330/150x62.4	PS	GREY / GRAU
																					1	REEL Ø330/150x50.4	PS	GREY / GRAU
																					1	REEL Ø330x150x38.4	PS	GREY / GRAU
5--7	5-5	2--0	1--9	1--8	4--7	1--6	4--5	1--4	1--3	1--2	4--4	1--0	-9	-8	-7	-6	-5	-4	-3	-2	POS.	DESCRIPTION / BENENNUNG	SURFACE / OBERFLAECH COLOUR / FARBE	MATERIAL

OBSOLETE

THIS DRAWING IS A CONTROLLED DOCUMENT.

DIMENSIONS: mm	TOLERANCES UNLESS OTHERWISE SPECIFIED:
	0 PLC ± 0.2
	1 PLC ± 0.1
	2 PLC ± 0.1
	3 PLC ± -
	4 PLC ± -
	ANGLES ± -

DWN M. STEIN 20-OCT-97  
CHK F. REICHARDT 20-OCT-97  
APVD G. Feldmeier  
PRODUCT SPEC  
APPLICATION SPEC  
108-19056

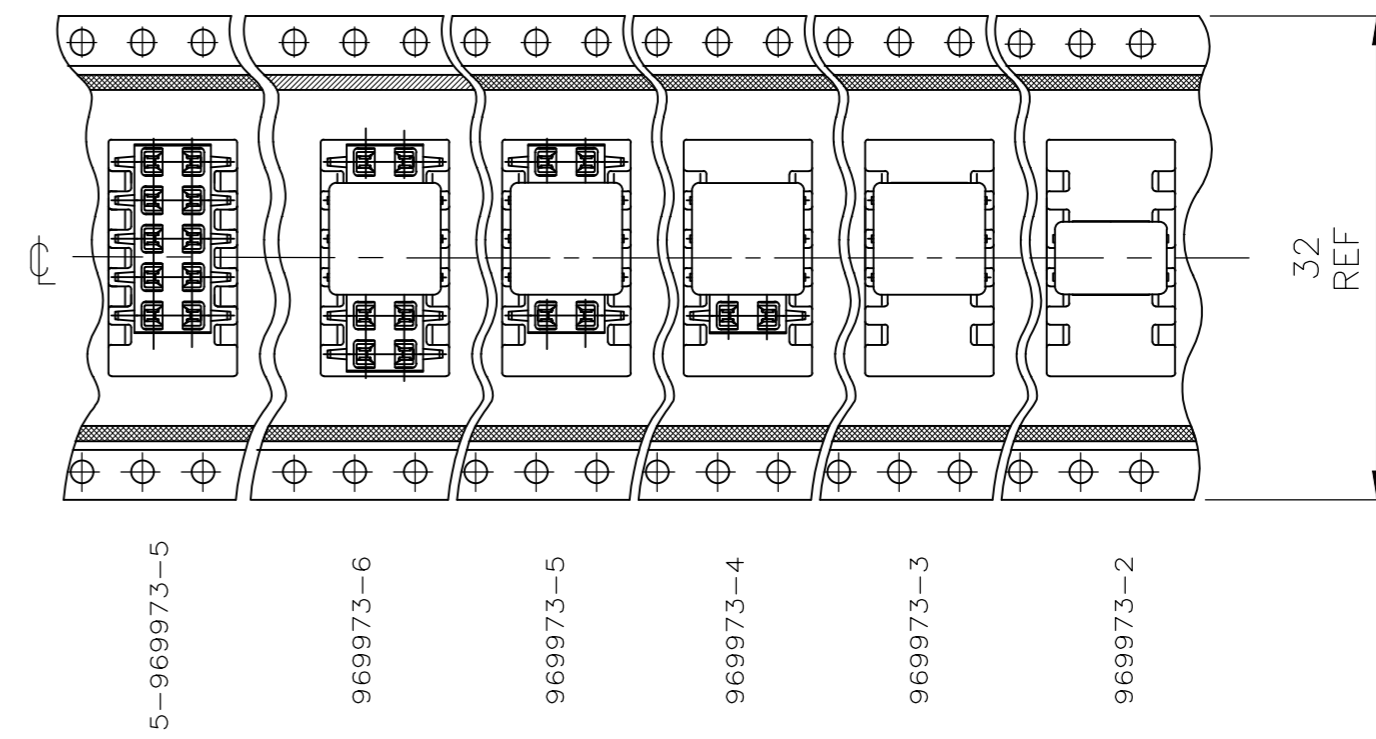
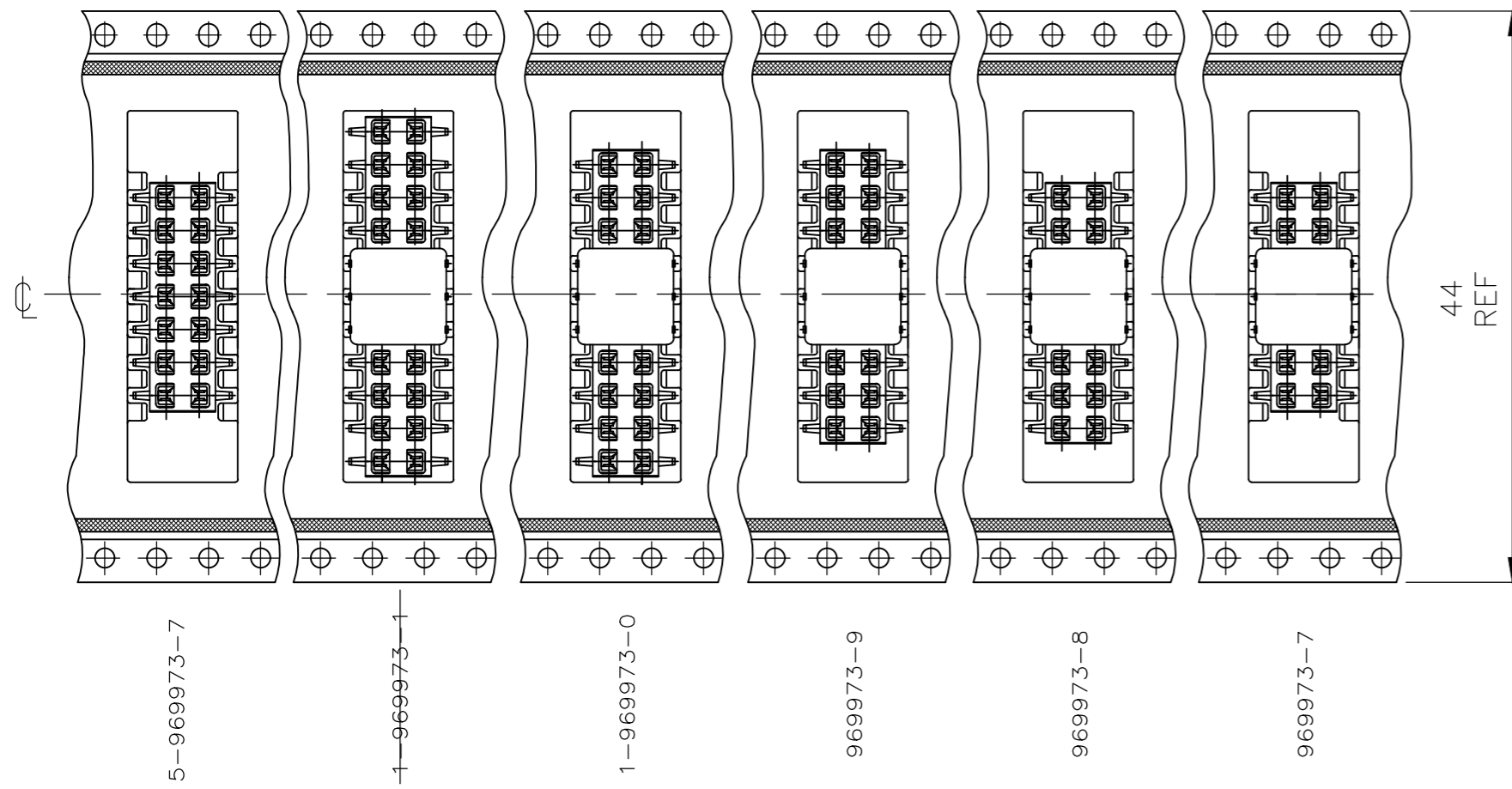
 TE Connectivity		NAME
HV100 REC. CONNECTOR, SMD, DOUBLE ROW WITH ADAPTER PACKED IN BLISTER BELT		RESTRICTED TO
SIZE	CAGE CODE	DRAWING NO
A2	00779	C-969973

CUSTOMER DRAWING

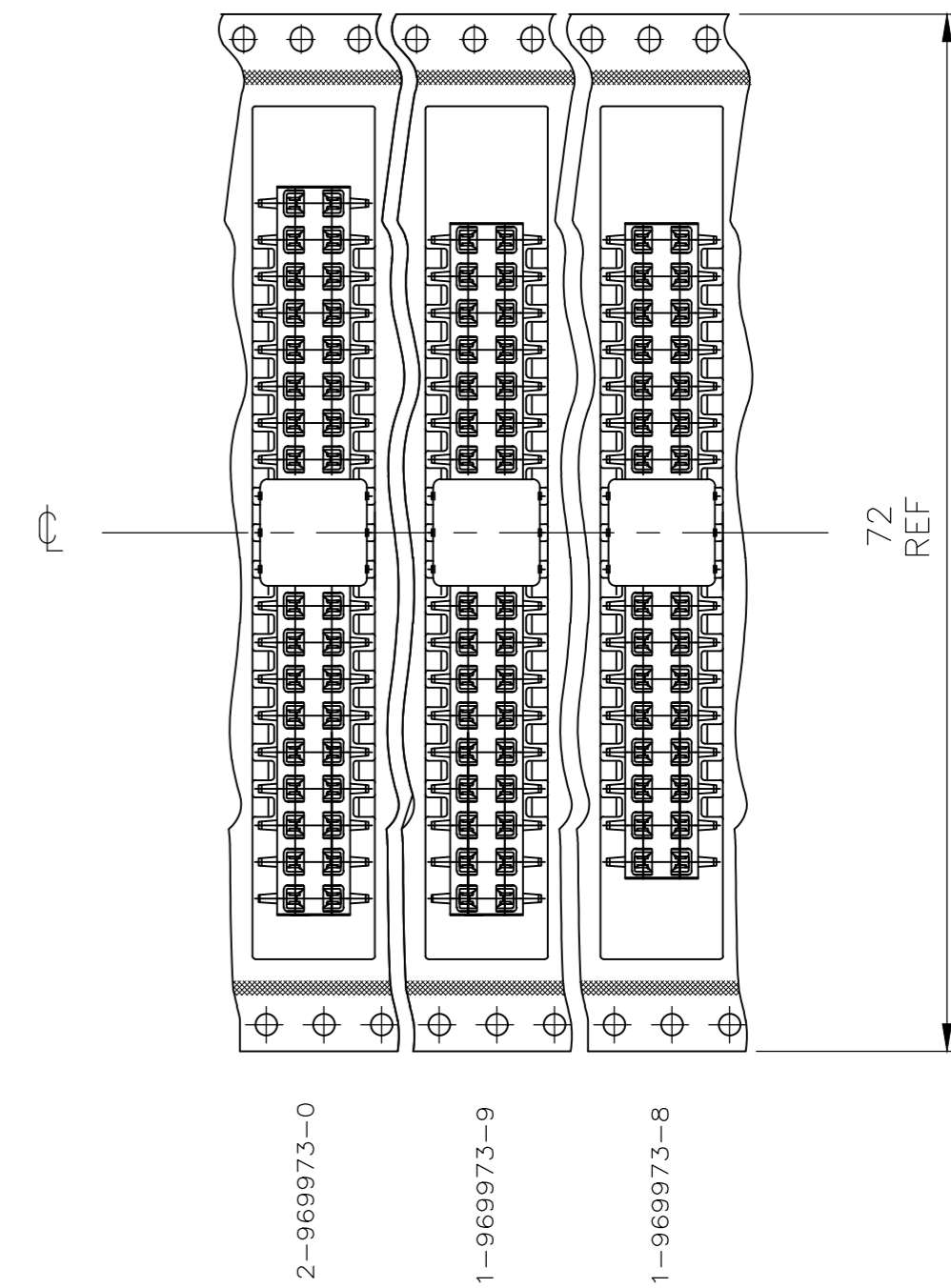
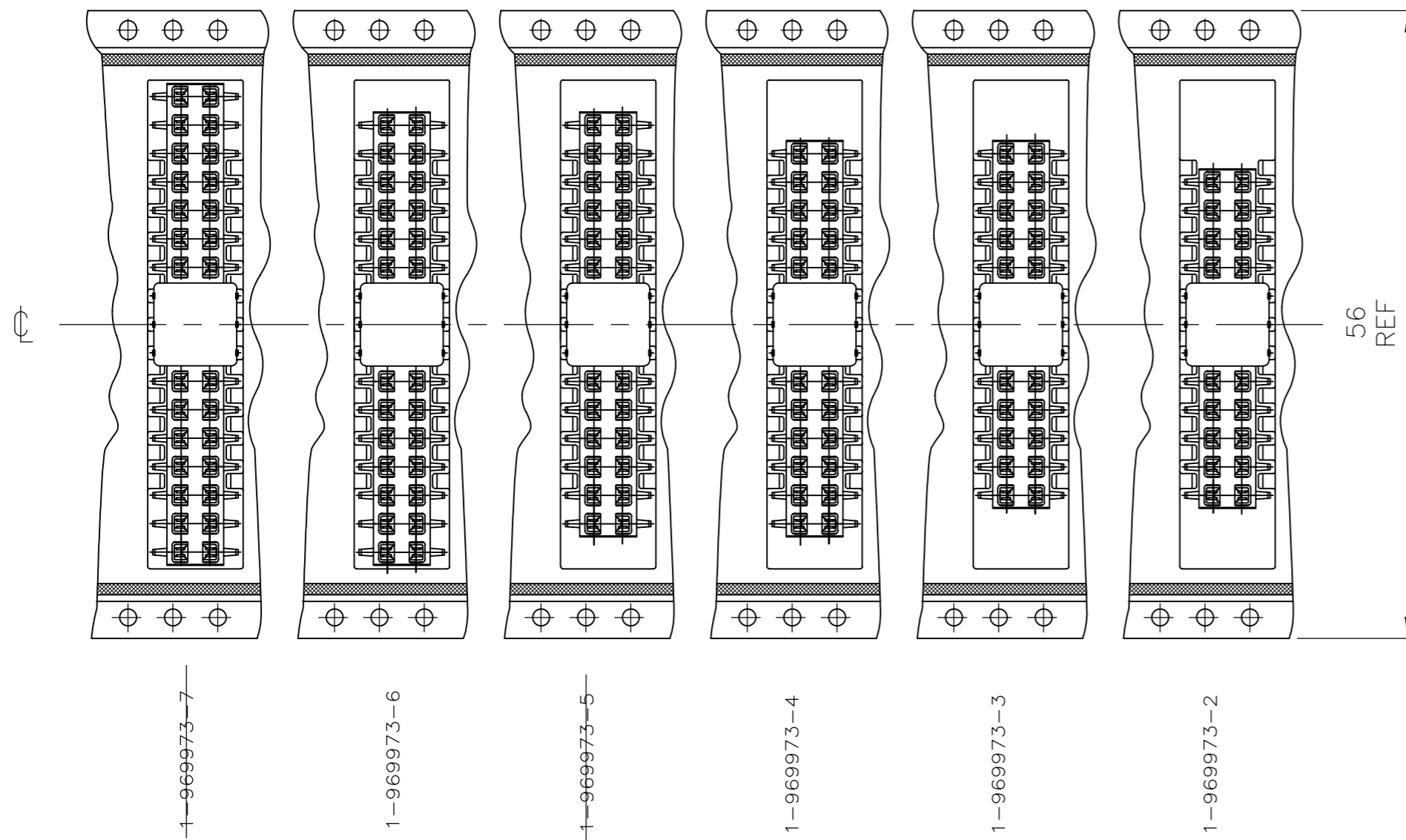
SCALE 1:2 SHEET 2 OF 4 REV E4

REVISIONS					
P	LTR	DESCRIPTION	DATE	DWN	APVD
-	-	SEE SHEET 1	-	-	-

DETAIL X  
EINZELHEIT X



ABWICKELRICHTUNG  
DIRECTION OF THE TOP OF THE REEL



THIS DRAWING IS A CONTROLLED DOCUMENT.		DWN M. STEIN 20-OCT-97	TE Connectivity	
DIMENSIONS: mm		CHK F.REICHARDT 20-OCT-97		
TOLERANCES UNLESS OTHERWISE SPECIFIED: 0 PLC ± 0.2 1 PLC ± 0.1 2 PLC ± 0.1 3 PLC ± - 4 PLC ± - ANGLES ± -		APVD G. Feldmeier	NAME HV100 REC. CONNECTOR, SMD, DOUBLE ROW WITH ADAPTER PACKED IN BLISTER BELT	
MATERIAL SEE TABLE		PRODUCT SPEC 108-19056	SIZE A2	RESTRICTED TO -
FINISH SEE TABLE		APPLICATION SPEC -	CAGE CODE 00779	DRAWING NO C=969973
		WEIGHT -	SCALE 1:2	SHEET 3 of 4
		CUSTOMER DRAWING	REV E4	

## X-ON Electronics

Largest Supplier of Electrical and Electronic Components

*Click to view similar products for [Headers & Wire Housings](#) category:*

*Click to view products by [TE Connectivity](#) manufacturer:*

Other Similar products are found below :

[892-18-020-10-001101](#) [58102-G61-06LF](#) [582553-1](#) [0009485154](#) [009176003701906](#) [0050291907](#) [LY20-4P-DT1-P1E-BR](#) [02.125.8002.8](#)  
[609-3404](#) [61062-3](#) [61082-181009](#) [622-3653LF](#) [63453-116](#) [636-1030](#) [636-1427](#) [636-3427](#) [636-4007](#) [641938-9](#) [641991-4](#) [644827-2](#) [65817-](#)  
[010LF](#) [65817-015LF](#) [65863-015LF](#) [66207-023LF](#) [67095-007LF](#) [67601157](#) [68645-018](#) [68648-049](#) [70.362.1628.0](#) [70-4210](#) [70-4226B](#) [70-](#)  
[4853B](#) [707-5020](#) [707-5028](#) [71.350.2428.0](#) [71918-208LF](#) [71961-016LF](#) [733-134](#) [733-162](#) [754199-000](#) [760-3052](#) [787-8014-00](#) [79531-3000](#)  
[FCN-360C032-B](#) [FCN-367T-T012/H](#) [FCN-723D010/2](#) [80.063.4001.1](#) [800-90-001-10-001000](#) [800-90-010-10-002000](#) [801-43-002-10-013000](#)