

REVISIONS		
LTR	DESCRIPTION	DATE
A	ECO-10-025907	12/20/2010

**NOTES**

- ALL DIMENSIONS ARE IN  $\frac{\text{INCHES}}{\text{[MILLIMETERS]}}$
- DIMENSIONS APPEARING IN TABLE ARE AS FOLLOWS:  
 a - AS SUPPLIED  
 b - AFTER UNRESTRICTED RECOVERY
- TUBING MATERIAL PER RK-6008/2
- PART NUMBERING SYSTEM

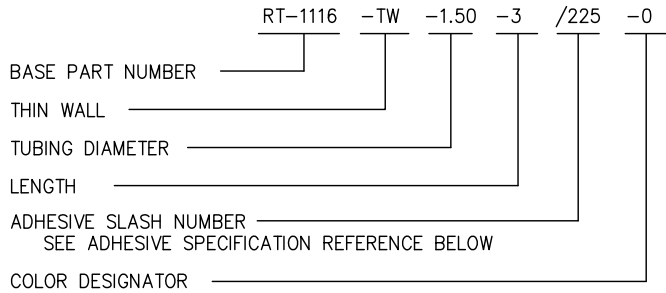
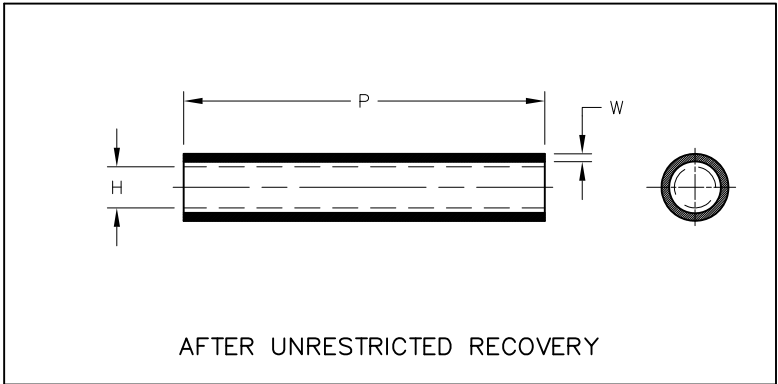
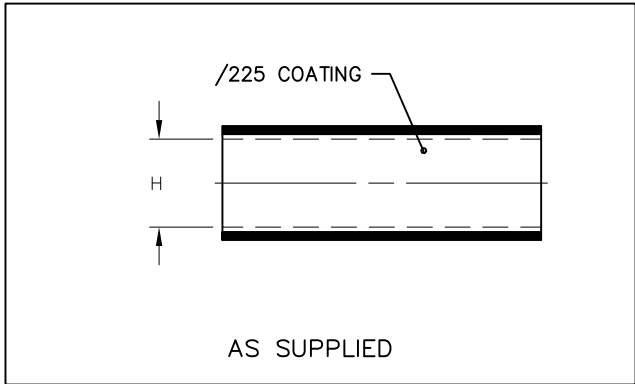


TABLE OF DIMENSIONS				
PART DESCRIPTION	H		P	W
	MIN a	MAX b	MIN b	$\pm 20\%$ b
RT-1116-TW-1.50-3/225-0	$\frac{1.40}{[35,6]}$	$\frac{.75}{[19,1]}$	$\frac{3.00}{[76,2]}$	$\frac{.04}{[1,02]}$

**CUSTOMER DRAWING**

ADHESIVE SPECIFICATION REFERENCE		
ADHESIVE SLASH NUMBER	ADHESIVE TYPE	ADHESIVE SPECIFICATION
/225	S-1206	RW-2074

UNLESS OTHERWISE SPECIFIED DIMENSIONS ARE INCHES. METRIC DIMENSIONS ARE IN BRACKETS.  
 DECIMAL TOLERANCES  
 .xxx  $\pm$  0.005 [0.13 mm]  
 .xx  $\pm$  0.01 [0.25 mm]  
 .x  $\pm$  0.1 [0.50 mm]  
 ANGLE TOLERANCE  
 .x  $\pm$  1 DEG.

DRAWN  
 UNGUYEN  
 APPROVED  
 DHURRELL

**Tyco Electronics** Raychem Molded Parts  
 305 Constitution Dr  
 Menlo Park, CA 94025

**TITLE** DR-25 TUBING,  
 HEAT-SHRINKABLE, THIN WALL

THIRD ANGLE PROJECTION

SIZE B CODE IDENT. NO. 06090 DWG. NO. RT-1116-TW-X-X-0

© 2010 Tyco Electronics Corporation. All rights reserved. DO NOT SCALE THIS DRAWING SHEET 1 OF 1

## X-ON Electronics

Largest Supplier of Electrical and Electronic Components

*Click to view similar products for [Heat Shrink Tubing and Sleeves](#) category:*

*Click to view products by [TE Connectivity](#) manufacturer:*

Other Similar products are found below :

[5685710001](#) [CR9960-000](#) [5734012004](#) [607381P039](#) [611112-000](#) [6284592002](#) [CX4711-000](#) [CZ1420-000](#) [D-306-38](#) [770-006S302](#) [770-010Y106W1](#) [770-018S103](#) [770-018S202W1](#) [770-018S205W1](#) [770-020S704W1](#) [770-020S705](#) [MFP-3/64"-Clear](#) [790-3012](#) [MHHT-4-15K2-G-104](#) [8003012003](#) [MIL-LT-1-1/2-4-SP](#) [MIL-LT-1-1/2-9-STK](#) [MIL-LT-1/2-2-STK](#) [MIL-LT-3-0-SP](#) [MIL-LT-3/32-0-SP](#) [MIL-LT-3/32-6-SP](#) [MIL-LT-3/4-4-STK](#) [MIL-LT-3/4-6-SP](#) [839602-000](#) [8423-6](#) [FP301-116-48"-Clear](#) [FP301-12-6"-Clear](#) [FP301-1/4-48"-White-Hdr](#) [FP301-18-48"-Black-Hdr](#) [FP301-1/8-6"-Black](#) [FP301-18-6"-Black-Bulk](#) [FP301-316-48"-Blue-Hdr](#) [912229N002](#) [R280637030](#) [HDCW-5515-1000](#) [HDT-0300-48A-BLACK](#) [HDT-0400-48A-Black](#) [HDT-0800-48A-RED](#) [HDT1100-48A-BLK](#) [HDT1500-48A-BLK](#) [HDT-2000-48A-Black](#) [RHW-70/20-1200/ADH-0](#) [DWP-125-0.450-4-55MM-CS879](#) [156082-000](#) [MT5500-3/8-X-SP](#)