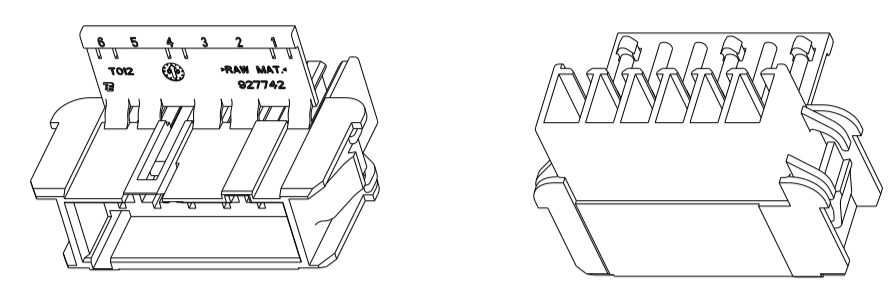
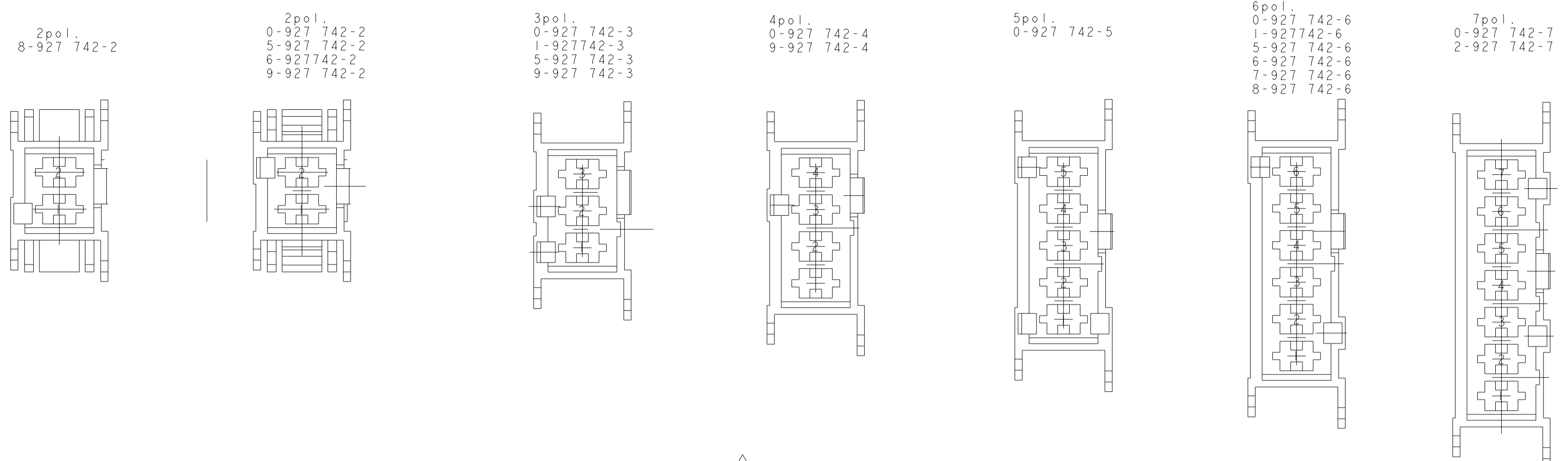


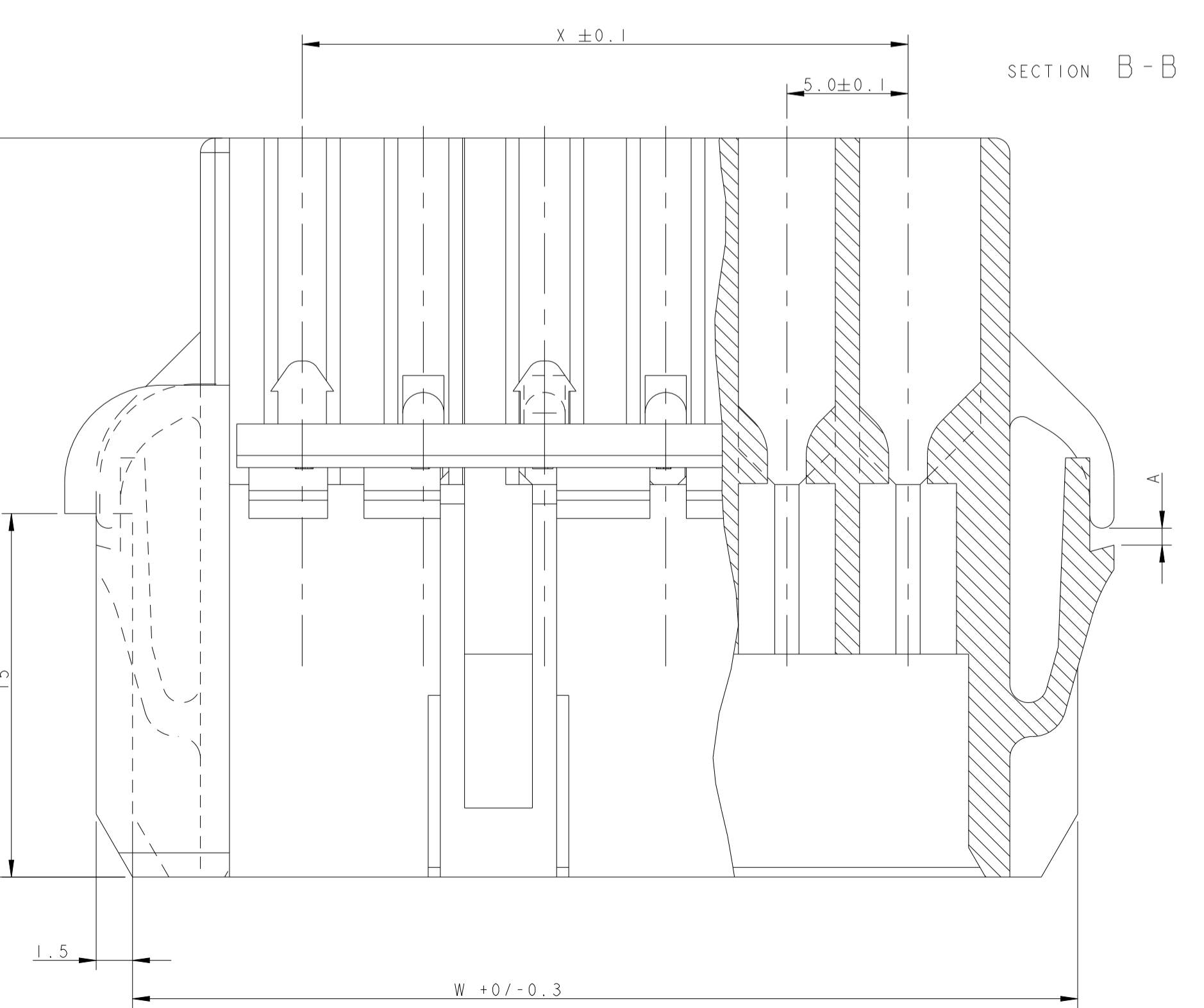
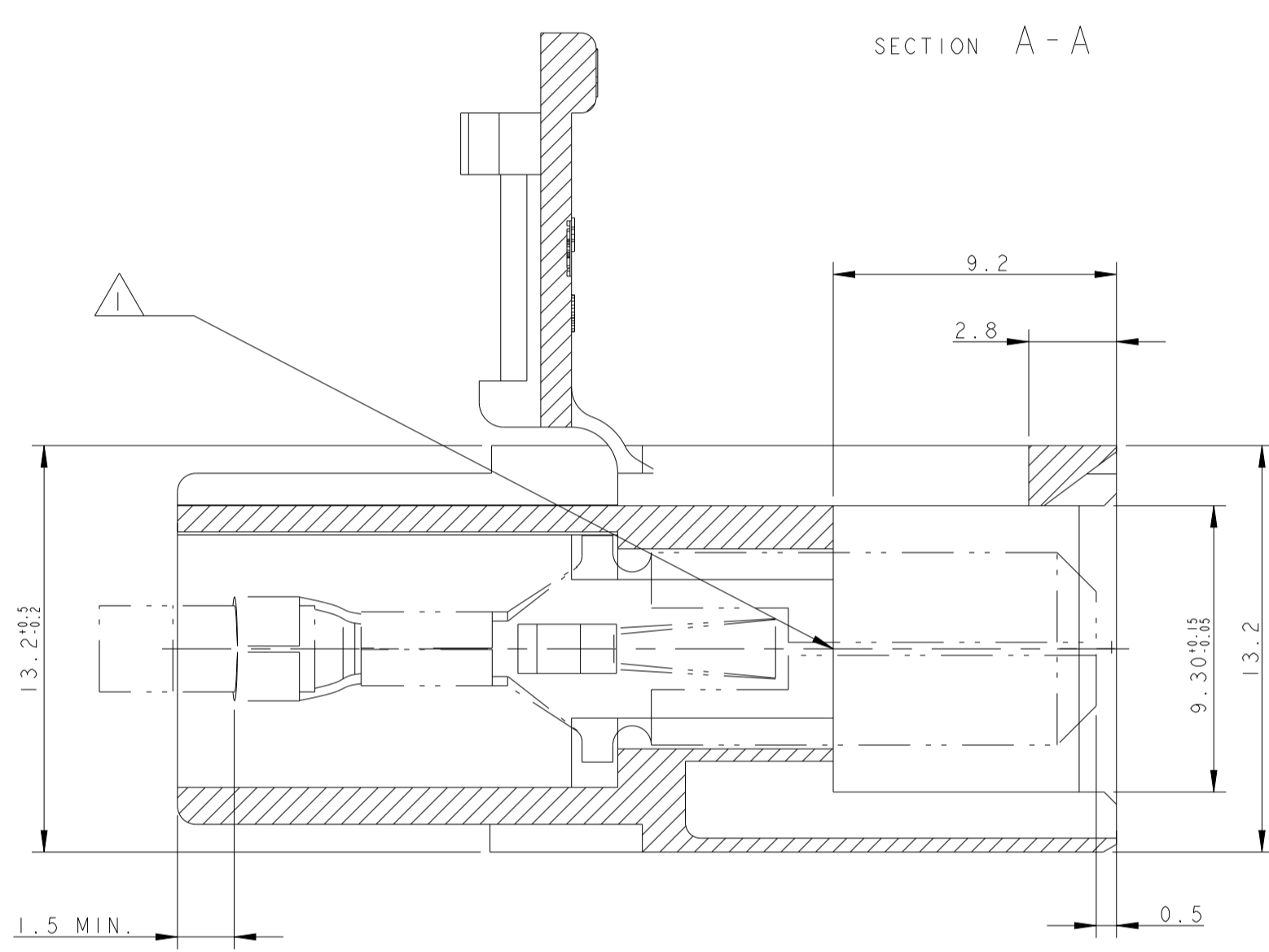
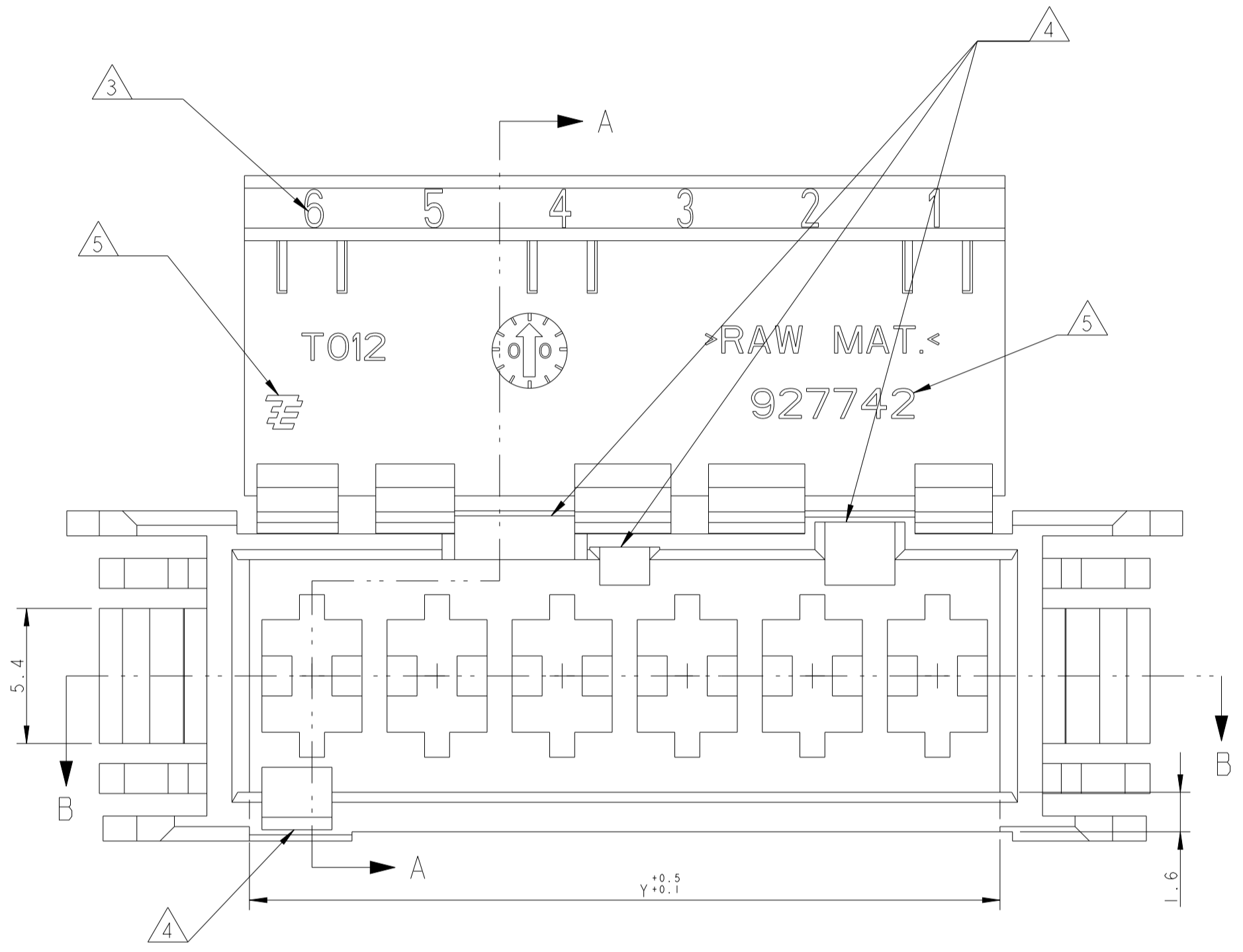
REVISIONS				
P	LTA	DESCRIPTION	DATE	APPV
G12		REVISED PER ECR-19-019372	12DEC2019	BDA DC
G13		ECR-20-001345	14APR2020	DC FL
G14		ECR-20-009404	21JUL2020	DC FL
G15		ECR-21-102281	05MAY2021	PJ FL



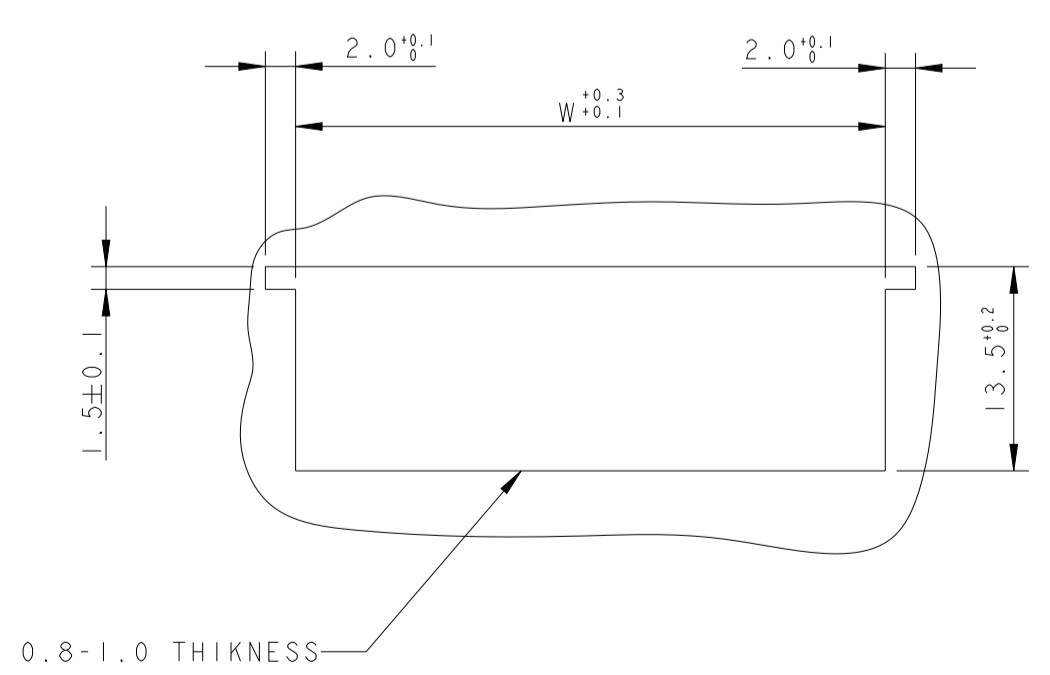
SCALE 1:1

1) TYPICAL CAVITY SUITABLE FOR:  
 FASTIN-FASTON TAB CONTACTS 6.3 mm SRS:  
 P/N: 60294, 0.3-0.8 mm2 WIRE RANGE  
 160691, 0.3-0.8 mm2 WIRE RANGE  
 AMPLIVAR CONTACTS:  
 P/N: 141051, 0.1-0.5 mm2 WIRE RANGE  
 142411, 0.3-1.6 mm2 WIRE RANGE  
 MAX. INSULATION DIA. 2.8 mm,  
 MAX. INSULATION CRIMP WIDTH 3.3 mm.

- 2) SEE TABLE FOR SUITABLE COUNTERPART.
- 3) CIRCUIT IDENTIFICATION No. ACCORDING TO DIN 1451.
- 4) POLARIZATION KEYS DIMENSIONS AND POSITIONS ARE ACCORDING TO "RAST 5" NORM
- 5) TE TRADEMARK LOGO AND TE PART NUMBER (OPTIONAL).
- 6) PACKAGING ACCORDING TO TE SPEC. 107-20248.
- 7) PRODUCT ACCORDING TO IEC 60335-1 NORM.
- 8) NOT TOOLED YET.
- 9) SPECIAL VERSION WITH LARGER GAP "A"
- 10) PRELIMINARY PART - NOT YET RELEASED FOR PRODUCTION
- 11) DOUBLE SOURCE RESIN; ALTERNATIVE RESIN UNDER APPROVAL.



PANEL CUT DIMENSIONS SCALE 1:1



POS.	W	X	Y	PART-NO.	STANDARD TIMER	MATERIAL	COLOUR	NOTE
12	-	-	-	-	-	-	-	
11	-	-	-	-	-	-	-	
10	-	-	-	-	-	-	-	
9	-	-	-	-	-	-	-	
-	-	-	-	-	-	-	-	
7	44	30	35	2-927 742-7	0-927 740-7	UL94V-2	black	
7	44	30	35	0-927 742-7	0-927 740-7	UL94V-2	natur	
6	39	25	30	8-927 742-6	0-927 740-6	UL94-V0	natur	1
6	39	25	30	7-927 742-6	0-927 740-6	UL94V-2	natur	1
6	39	25	30	6-927 742-6	0-927 740-6	UL94V-0	black	
6	39	25	30	5-927 742-6	0-927 740-6	UL94V-0	natur	
6	39	25	30	1-927742-6	927740-6	UL94-V2	natur	1, 9
6	39	25	30	0-927 742-6	0-927 740-6	UL94V-2	natur	
5	34	20	25	0-927 742-5	0-927 740-5	UL94V-2	natur	9
4	29	15	20	9-927 742-4	0-927 740-4	UL94V-2	natur	1
4	29	15	20	0-927 742-4	0-927 740-4	UL94V-2	natur	
3	24	10	15	9-927 742-3	0-927 740-3	UL94V-2	natur	1
3	24	10	15	5-927 742-3	0-927 740-3	UL94V-0	natur	
3	24	10	15	2-927 742-3	0-927 740-3	UL94V-2	grey	
3	24	10	15	1-927742-3	927740-3	UL94V-2	natur	1, 9
OBSOLETE	3	24	10	0-927 742-3	0-927 740-3	UL94V-2	natur	
2	19	5	10	9-927 742-2	4-927 740-2	UL94V-2	natur	1
2	19	5	10	8-927 742-2	-	UL94V-2	natur	1
2	19	5	10	6-927742-2	-	UL94-V0	blue	1
2	19	5	10	5-927 742-2	4-927 740-2	UL94V-0	natur	
2	19	5	10	0-927 742-2	4-927 740-2	UL94V-2	natur	9

PARTS LIST

THIS DRAWING IS A CONTROLLED DOCUMENT. DWG: YAALI Z2MAR2005. CHK: G. TURCO. APVD: -

DIMENSIONS: mm. TOLERANCES UNLESS OTHERWISE SPECIFIED: 0 PLC ±, 1 PLC ±, 2 PLC ±0.2, 3 PLC ±, 4 PLC ±. ANGLES: °. FINISH: ±.

MATERIAL: SEE TABLE. WEIGHT: -. CUSTOMER DRAWING: -.

NAME: 2-12 POS. FASTIN-FASTON CONNECTOR TAB HOUSING RAST 5, PANEL MOUNT VERSION. PRODUCT SPEC: 108-20256. APPLICATION SPEC: -. SIZE: -. CAGE CODE: -. DRAWING NO: A100779. RESTRICTED TO: -. SCALE: 5:1. SHEET: 1 OF 1. REV: G15.

TE Connectivity logo and name.

## X-ON Electronics

Largest Supplier of Electrical and Electronic Components

*Click to view similar products for [Terminals](#) category:*

*Click to view products by [TE Connectivity](#) manufacturer:*

Other Similar products are found below :

[00-054007-01074-6](#) [00-054007-70206-1](#) [00-054007-70210-8](#) [00-054007-70217-7](#) [00-054007-70226-9](#) [00-054007-70228-3](#) [00-054007-70248-1](#) [00-054007-70256-6](#) [00-054007-70301-3](#) [00-054007-70316-7](#) [00-054007-49560-4](#) [00-054007-70209-2](#) [00-054007-70225-2](#) [00-054007-70227-6](#) [00-054007-70231-3](#) [00-054007-70241-2](#) [00-054007-70242-9](#) [00-054007-70244-3](#) [00-054007-70246-7](#) [00-054007-70263-4](#) [00-054007-70288-7](#) [00-054007-70290-0](#) [00-054007-70300-6](#) [00-054007-70304-4](#) [01-2065-1-0216](#) [01-2900-1-04412](#) [00581P0075](#) [600TS-10](#) [60205-1](#) [604200-1](#) [605601-1](#) [60598-1-CUT-TAPE](#) [61314-6-C](#) [61810-3](#) [61-S](#) [61-SN](#) [626-0194](#) [62-NBM-A](#) [62-SN](#) [62-SP](#) [63-S](#) [640179-1](#) [M55155/059I03](#) [M55155/079C01](#) [M55155/099H02](#) [M55155/109H01](#) [M55155/109H02](#) [M55155/12XH05](#) [M55155/16XH02](#) [M55155/29-5S](#)