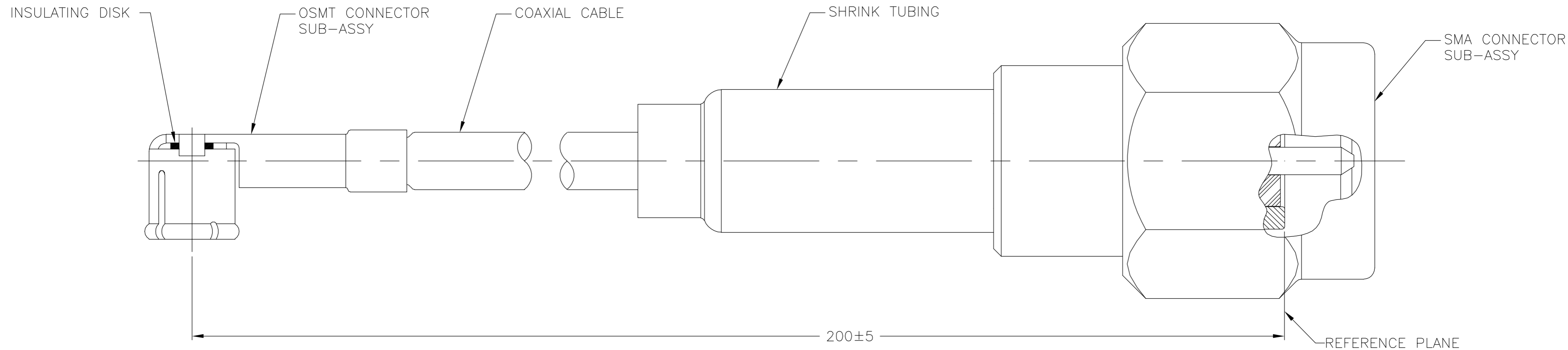


THIS DRAWING IS UNPUBLISHED. RELEASED FOR PUBLICATION  
 © COPYRIGHT BY TYCO ELECTRONICS CORPORATION. ALL RIGHTS RESERVED.

LOC	DIST	REVISIONS					
AJ	17	P	LTR	DESCRIPTION	DATE	DWN	APVD
		B		REV PER EC 0S14-0092-05	24DEC2005	REH	KW



<u>SMA CONNECTOR</u>		
HOUSING & COUPLING NUT	STAINLESS STEEL	PASSIVATE
CENTER CONTACT	BRASS	GOLD PLATE
INNER CONTACT	BERYLLIUM COPPER	GOLD PLATE
DIELECTRIC	POLYTETRAFLUOROETHYLENE (PTFE)	N/A
RETAINING RING	BERYLLIUM COPPER	N/A
GASKET	SILICONE RUBBER	N/A
FERRULE	COPPER OR BRASS	NICKEL PLATE
<u>OSMT CONNECTOR</u>		
OUTER CONTACT	BERYLLIUM COPPER	GOLD PLATE
CENTER CONTACT	BERYLLIUM COPPER	GOLD PLATE
DIELECTRIC	POLYPROPYLENE, GF	N/A
<u>CABLE</u>		
JACKET	POLYVINYL CHLORIDE (PVC)	N/A
SHIELD	SILVER PLATED COPPER WIRE, 38 AWG	N/A
DIELECTRIC	PERFLUOROALKOXY (PFA)	N/A
CENTER CONDUCTOR	SILVER PLATED COPPER CLAD STEEL, 30 AWG	N/A
<u>INSULATING DISK</u>	POLYESTER	N/A
<u>SHRINK TUBING</u>	HEAT SHRINKABLE POLYOLEFIN TUBING	N/A
<b>COMPONENT</b>	<b>MATERIAL</b>	<b>FINISH</b>

1. ELECTRICAL PERFORMANCE SHOWN FOR OSMT CONNECTOR AND CABLE ONLY. FOR CABLE ASSEMBLY DATA, CONSULT FACTORY.

1064391-1  
PART NUMBER

<u>ELECTRICAL</u>	
FREQUENCY	DC - 6 GHz
NOMINAL IMPEDENCE	50 OHMS
VOLTAGE RATING	250 VOLTS (VRMS MAX) @ SEA LEVEL
VSWR (MATED CONNECTORS ONLY)	1.20:1 MAX @ 2 GHz 1.40:1 MAX @ 6 GHz
INSULATION RESISTANCE	1,000 MEGOHMS MIN
DIELECTRIC WITHSTANDING VOLTAGE	500 VOLTS (VRMS MIN) @ SEA LEVEL
<u>MECHANICAL</u>	
CONNECTOR DURABILITY	100 MATING CYCLES
<u>ENVIRONMENTAL</u>	
TEMPERATURE RATING	-40°C(-40°F) TO +105°C(221°F)

PRODUCT SPEC

THIS DRAWING IS A CONTROLLED DOCUMENT.		DWN	08/10/92	<b>tyco</b> Electronics	Tyco Electronics Corporation Harrisburg, PA 17105-3608	
DIMENSIONS: mm		CHK	-			
TOLERANCES UNLESS OTHERWISE SPECIFIED:		APVD	08/14/92	NAME		
0 PLC ± -		P.R.		OSMT RIGHT ANGLE JACK INTER-SERIES CABLE ASSY		
1 PLC ± -		PRODUCT SPEC		SIZE		
2 PLC ± -		APPLICATION SPEC		CAGE CODE		
3 PLC ± -		WEIGHT		DRAWING NO		
4 PLC ± -		CUSTOMER DRAWING		RESTRICTED TO		
ANGLES ± -		SCALE		SHEET		
FINISH		10:1		1 OF 1		
MATERIAL		REV		B		

## X-ON Electronics

Largest Supplier of Electrical and Electronic Components

*Click to view similar products for [RF Cable Assemblies](#) category:*

*Click to view products by [TE Connectivity](#) manufacturer:*

Other Similar products are found below :

[573/2](#) [73-6311-6](#) [73-6353-3](#) [73-6364-6](#) [MDB1-9SH001](#) [MDM-15PH003L-K139](#) [MDM-21PH003L-K139](#) [MIKQ6-7SH076](#) [R288940005](#)  
[RMTB1-6PHY0102](#) [145111-05-12.00](#) [2192](#) [CA-628485-A43](#) [24P104C24J1-012](#) [24P104C24P1-006](#) [24P104C24P1-018](#) [24P203C24P2-006](#)  
[24P204C24J1-003](#) [172-2150-EX](#) [1800920920914PJ](#) [FCB-3030-ALT](#) [21117-046](#) [21117-050](#) [PCX-24-50](#) [24P103C24P2-003](#) [25P203C25P2-](#)  
[003](#) [R284008001](#) [R285001021](#) [R285426000](#) [R288940003](#) [R288940008](#) [RF179-74BJ3-77RP1-0305](#) [RMTB1-15PHY0102](#) [RMTB1-](#)  
[8PHY0102](#) [4814-BB-24](#) [500-181-R-ACC](#) [5260-72](#) [314-120](#) [JR4N1-CL1-6F](#) [JR4R3-CL1-4F](#) [JT2N1-CL1-1F](#) [JT2T1-CL1-6F](#) [4814-K-48](#)  
[RN-UFL-SMA6](#) [100E151JW3600X](#) [CCNTN2-MM-LL335-26](#) [73-6310-50](#) [73-6351-25](#) [73-6353-25](#) [73-6361-25](#)