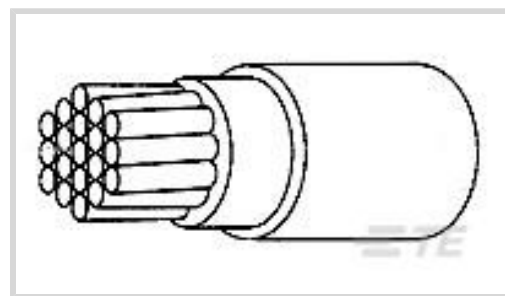




Wire & Cable > Hook Up Wire



Cable Type: **Spec 99M**

Voltage Rating: **600 V**

Insulation Material: **Radiation-Crosslinked, Modified Polyester**

Conductor Material: **Tin-Plated Copper**

Wire Size: **14 AWG**

Features

Product Type Features

Product Type	Cable
Product Classification	Cable - Spec 99 & 100
Cable Style	Primary
Cable Type	Spec 99M

Configuration Features

Number of Conductors	1
Number of Strands	37

Electrical Characteristics

Voltage Rating	600 V
----------------	-------

Body Features

Wire Color	Green
Insulation Material	Radiation-Crosslinked, Modified Polyester
Conductor Material	Tin-Plated Copper

Dimensions

Wire Diameter	2.16 mm[.085 in]
Overall Outside Diameter	2.35 mm[.0926 in]
Conductor Diameter	1.79 mm[.07 in]
Cable Insulation Thickness	.2 mm[.008 in]
Strand Size	31 AWG

Wire Size	2.08 mm ²
-----------	----------------------

Usage Conditions

Operating Temperature Range	-65 – 125 °C
-----------------------------	--------------

Other

Wire Source	United Kingdom
-------------	----------------

Product Compliance

[For compliance documentation, visit the product page on TE.com>](#)

EU RoHS Directive 2011/65/EU	Compliant
EU ELV Directive 2000/53/EC	Compliant
China RoHS 2 Directive MIIT Order No 32, 2016	No Restricted Materials Above Threshold
EU REACH Regulation (EC) No. 1907/2006	Current ECHA Candidate List: JAN 2019 (197) Candidate List Declared Against: JAN 2019 (197)
Halogen Content	Not Low Halogen - contains Br or Cl > 900 ppm.
Solder Process Capability	Not applicable for solder process capability

Product Compliance Disclaimer

This information is provided based on reasonable inquiry of our suppliers and represents our current actual knowledge based on the information they provided. This information is subject to change. The part numbers that TE has identified as EU RoHS compliant have a maximum concentration of 0.1% by weight in homogenous materials for lead, hexavalent chromium, mercury, PBB, PBDE, DBP, BBP, DEHP, DIBP, and 0.01% for cadmium, or qualify for an exemption to these limits as defined in the Annexes of Directive 2011/65/EU (RoHS2). Finished electrical and electronic equipment products will be CE marked as required by Directive 2011/65/EU. Components may not be CE marked. Additionally, the part numbers that TE has identified as EU ELV compliant have a maximum concentration of 0.1% by weight in homogenous materials for lead, hexavalent chromium, and mercury, and 0.01% for cadmium, or qualify for an exemption to these limits as defined in the Annexes of Directive 2000/53/EC (ELV). Regarding the REACH Regulations, TE's information on SVHC in articles for this part number is still based on the European Chemical Agency (ECHA) 'Guidance on requirements for substances in articles' (Version: 2, April 2011), applying the 0.1% weight on weight concentration threshold at the finished product level. TE is aware of the European Court of Justice ruling of September 10th, 2015 also known as O5A (Once An Article Always An Article) stating that, in case of 'complex object', the threshold for a SVHC must be applied to both the product as a whole and simultaneously to each of the articles forming part of its composition. TE has evaluated this ruling based on the new ECHA "Guidance on requirements for substances in articles" (June 2017, version 4.0) and will be updating its statements accordingly.

Customers Also Bought



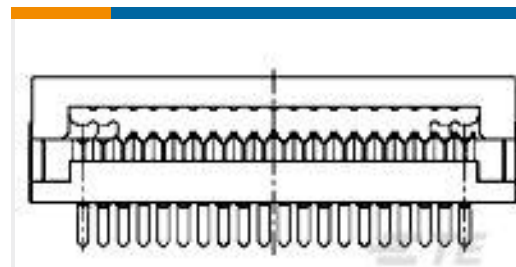
TE Part #7317473001
100G0111-1.20-1



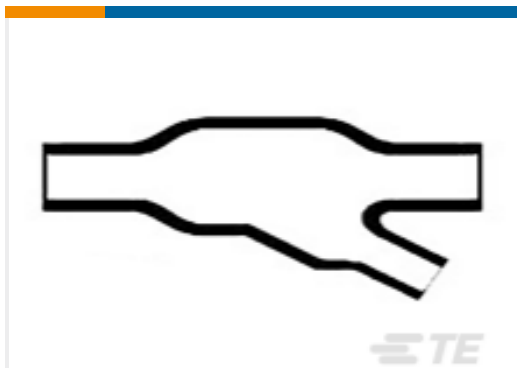
TE Part #4651683001
100G0111-0.60-8



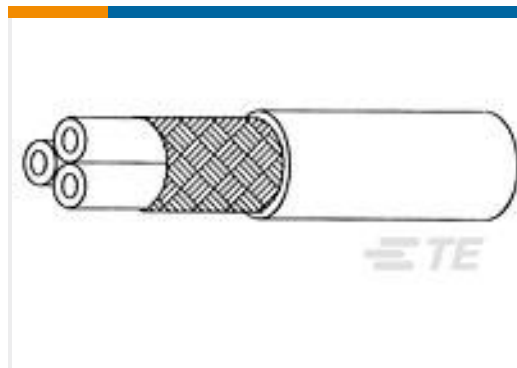
TE Part #3600453001
100G0111-2.00-45



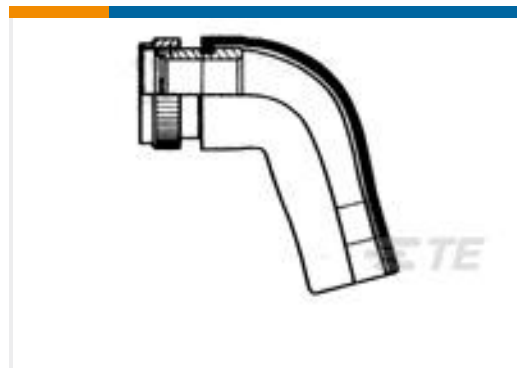
TE Part #2-6437006-3
609-3443LF = PCB IDC P
34 ST .125



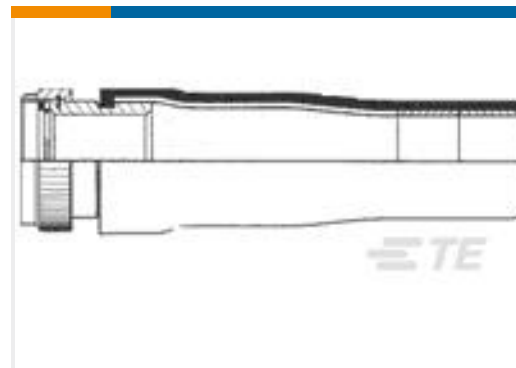
TE Part #197577-000
362A014-100/86-0



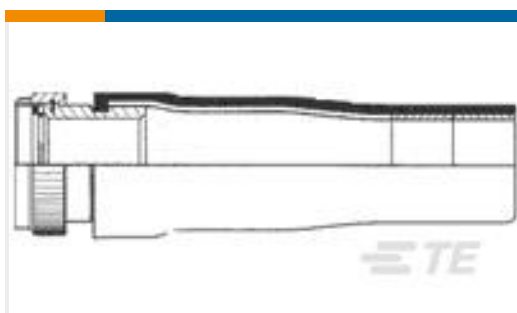
TE Part #8315433001
99M1131-20-2/6/9-0



TE Part #587126-000
KTKK-0483



TE Part #259403-000
KTKK-1950



TE Part #176119-000
KTKK-2980



TE Part #1290613001
ZHI35-10-0

Documents

Product Drawings

[99M0111-14-5](#)

English

Datasheets & Catalog Pages

[1654025_Sec9_Type99M](#)

English

X-ON Electronics

Largest Supplier of Electrical and Electronic Components

Click to view similar products for [Hook-up Wire](#) category:

Click to view products by [TE Connectivity](#) manufacturer:

Other Similar products are found below :

[8918-BRN-1000](#) [CR6328-000](#) [01776.38.01](#) [M22759/16-14-5-500FT](#) [7053-RED-1000](#) [7053-SLATE-1000](#) [F25935-000](#) [F60898-000](#) [8055](#)
[81044/12-18-9CS3209](#) [82A0811-4-9-G110](#) [83004-ORG-1000](#) [83005-LT-BLU-1000](#) [8523-RED-100](#) [8524-WHT-100](#) [8525-ORG-1000](#) [8530-](#)
[BLK-1000](#) [8530-LT-BLU-100](#) [8538-009-1000](#) [8597-LT-BLU-100](#) [8898-BLK-100](#) [138498-000](#) [E76065-000](#) [EPD50886A-20-9](#)
[BFWUL3239-24-PINK](#) [C2015A.12.04](#) [C2015A.12.05](#) [C2015A.12.08](#) [C2015A.12.10](#) [C2015A.12.19](#) [C2016A.12.05](#) [C2016A.12.07](#)
[C2065A.12.02](#) [C77653-000](#) [220368-001](#) [8916-GRY-500](#) [8918-RED-100](#) [8919-DK-BLU-1000](#) [8919-YEL-100](#) [8920-YEL-100](#) [9242833001](#)
[933205-000](#) [282257-000](#) [2841/7-YELLOW-1000](#) [2842/7-ORANGE-100](#) [2842/7-RED-1000](#) [2843/19-BLUE-100](#) [2843/1-YELLOW-100](#)
[2843/7-GREEN-100](#) [2844/7-BLACK-1000](#)