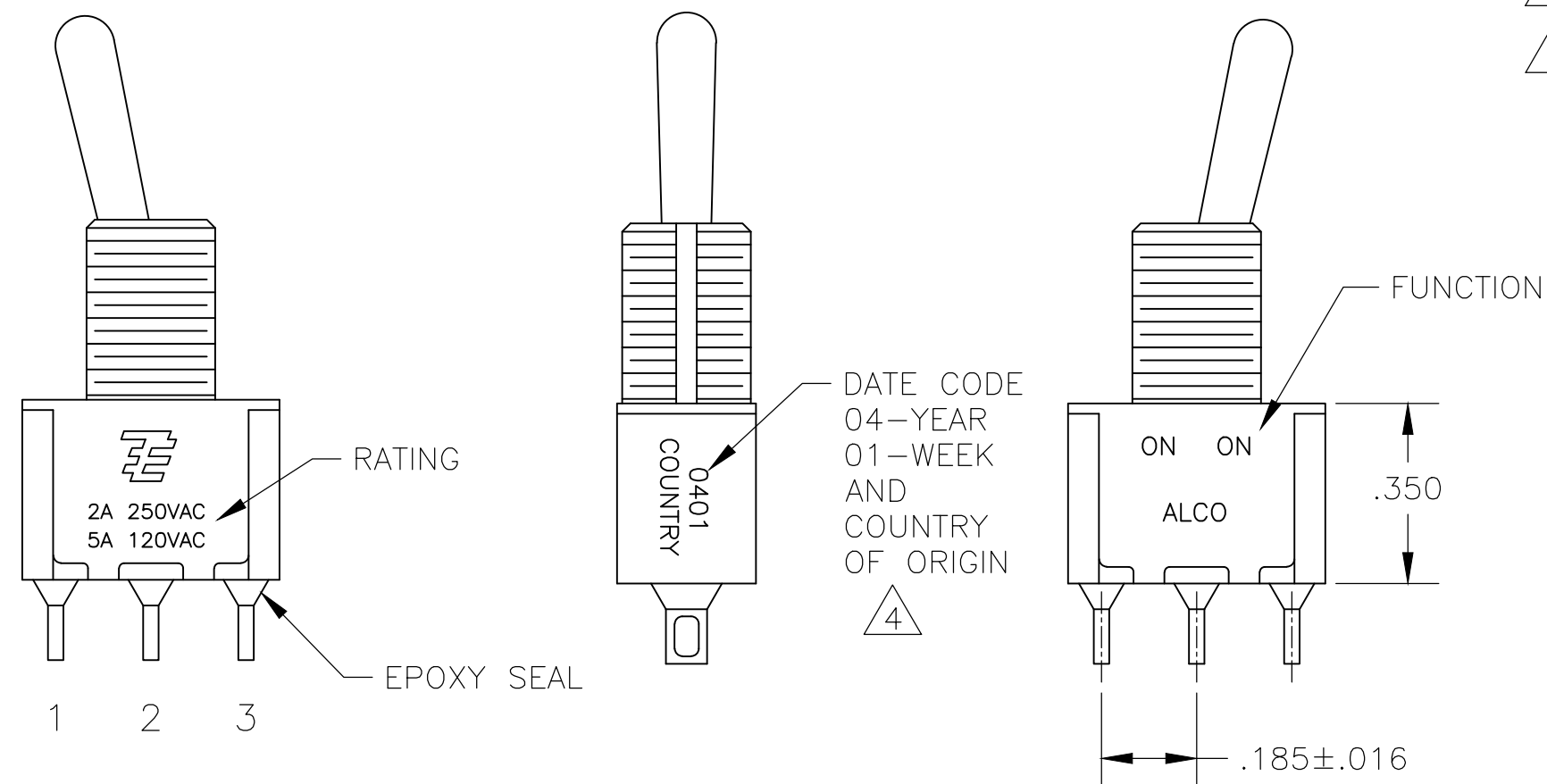
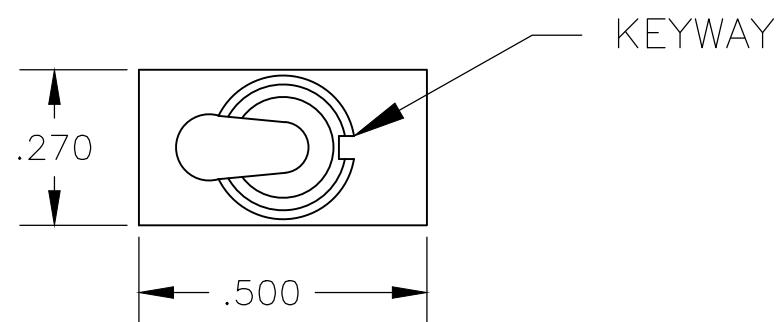


THIS DRAWING IS UNPUBLISHED. RELEASED FOR PUBLICATION
 © COPYRIGHT - By - ALL RIGHTS RESERVED.

| REVISIONS | | | | | |
|-----------|-----|---------------|-----------|-----|------|
| P | LTR | DESCRIPTION | DATE | DWN | APVD |
| A8 | | ECR-16-017266 | 25JUN2018 | SR | PO |



- ALL MATERIALS AND FINISHES SHALL COMPLY WITH EU DIRECTIVE 2002/95/EC OF 27JAN2003 (ROHS).
- EACH SWITCH WITH THREADED BUSHINGS SUPPLIED WITH THE FOLLOWING MOUNTING HARDWARE:
 (2) HEX NUTS
 (1) INTERNAL TOOTH LOCKWASHER
 (1) LOCATING RING.
- G CONTACT OPTION CAN BE USED FOR SIGNAL OR POWER LEVEL SWITCHING. IF SWITCH IS USED AT LEVELS EXCEEDING .4VA @ 20V AC/DC, SWITCH IS RENDERED FOR POWER SWITCHING ONLY DUE TO ARC REMOVAL OF GOLD PLATING. RATING MARKED ON FRAME IS 2A 250VAC, 5A 120VAC.
- DATE CODE AND COUNTRY OF ORIGIN MAY APPEAR ON EITHER SIDE OF SWITCH.
- LENGTH OF TOGGLE REDUCED BY .020 WITH A, AV2, V30 OR V40 VERTICAL SUPPORT BRACKET OPTIONS.
- ALL LOGO, RATING, DATE CODE, AND FUNCTION MARKINGS TO BE LASER MARKED.

| FUNCTION CHART | | | |
|---------------------|-------|-------|-------|
| FUNCTION | 1 2 3 | 1 2 3 | 1 2 3 |
| 01 | ON | NONE | ON |
| 03 | ON | OFF | ON |
| 08 | ON | NONE | (ON) |
| TERMINALS CONNECTED | 2-3 | --- | 1-2 |

None: No mechanical position
 Off: Mechanical position with no electrical connection
 (On): Momentary action

| PART NUMBER SEQUENCE CHART | | | | | | |
|----------------------------|----------|--------|---------|----------|---------|------|
| MODEL | FUNCTION | TOGGLE | BUSHING | TERMINAL | CONTACT | RoHS |
| A1 | 01 | K | CW | A | B | 04 |
| | | K1 | D | AV2 | G | |
| | 08 | L | D9 | C | Q | |
| | | L1 | H | V30 | | |
| | | L2 | Y | V40 | | |
| | | M | Y9 | W | | |
| | | P3 | | W4 | | |
| | | S | | Z | | |
| | | T | | Z3 | | |
| | | T1 | | | | |

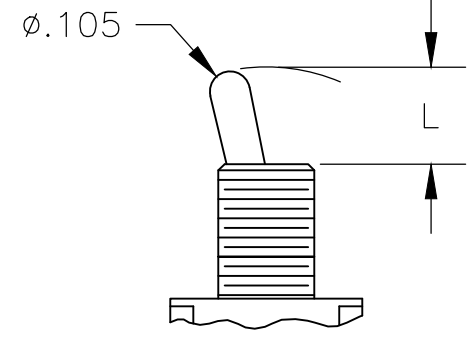
EXAMPLE: A101SYCQ04

| SPECIFICATIONS CHART | |
|---------------------------------|------------------------------------------|
| RATING, B CONTACTS | .4VA MAX @20V MAX. AC OR DC |
| RATING, G CONTACTS—SEE NOTE 3 | .4VA MAX @20V MAX. AC OR DC OR |
| | 5A @120 VAC OR 28 VDC (RESISTIVE) |
| RATING, Q CONTACTS | 2A @250 VAC (RESISTIVE) |
| | 5A @120 VAC OR 28 VDC (RESISTIVE) |
| ELECTRICAL LIFE | 6,000 CYCLES AT RATED LOAD |
| CONTACT RESISTANCE | 10 MILLIOHMS MAX INITIAL @ 2-4VDC, 100ma |
| INSULATION RESISTANCE | 1,000 MEGOHMS MIN |
| DIELECTRIC WITHSTANDING VOLTAGE | 1,000 V RMS AT SEA LEVEL |
| OPERATING TEMPRATURE | -30C TO 85C |

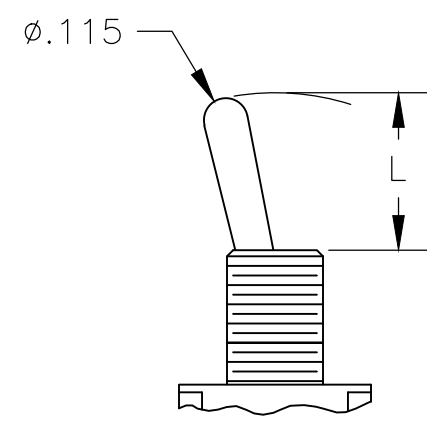
| | | | | |
|----------------------------------------|--------|----------------------------------|----------------------------------------------------------------------------|-----------|
| THIS DRAWING IS A CONTROLLED DOCUMENT. | | DWN B.S.VISWESWARA 14APR05 | | |
| DIMENSIONS: INCHES | | CHK M.ZITTO | | |
| TOLERANCES UNLESS OTHERWISE SPECIFIED: | | APVD P.BROUILLETTE | NAME | |
| 0 PLC ± - | | PRODUCT SPEC | GEMINI A SERIES TOGGLE SWITCH, SINGLE POLE, 2 POSITION FUNCTIONS (01 & 08) | |
| 1 PLC ± - | | APPLICATION SPEC | SIZE | CAGE CODE |
| 2 PLC ± - | | | A2 | 00779 |
| 3 PLC ± .010 | | | DRAWING NO | |
| 4 PLC ± - | | | C=1825136 | |
| ANGLES ± 2° | | | RESTRICTED TO | |
| MATERIAL | FINISH | WEIGHT | - | |
| CUSTOMER DRAWING | | SCALE | 3:1 | |
| | | SHEET | 1 of 4 | |
| | | REV | A8 | |

THIS DRAWING IS UNPUBLISHED. RELEASED FOR PUBLICATION. ALL RIGHTS RESERVED.

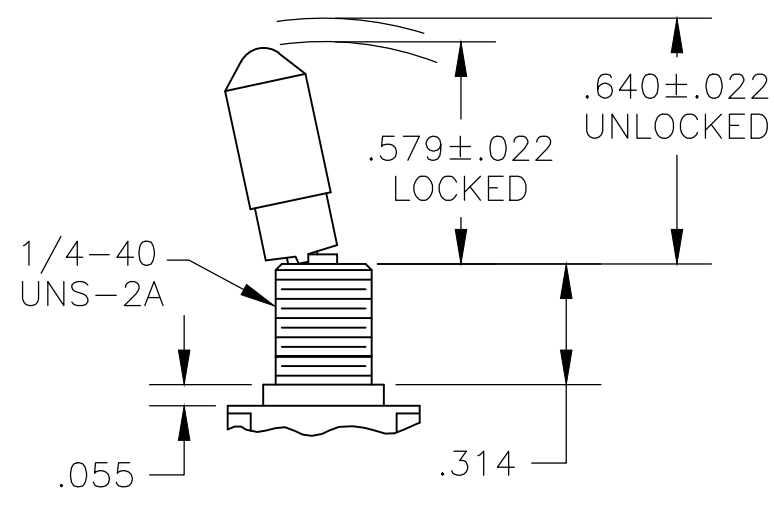
TOGGLES



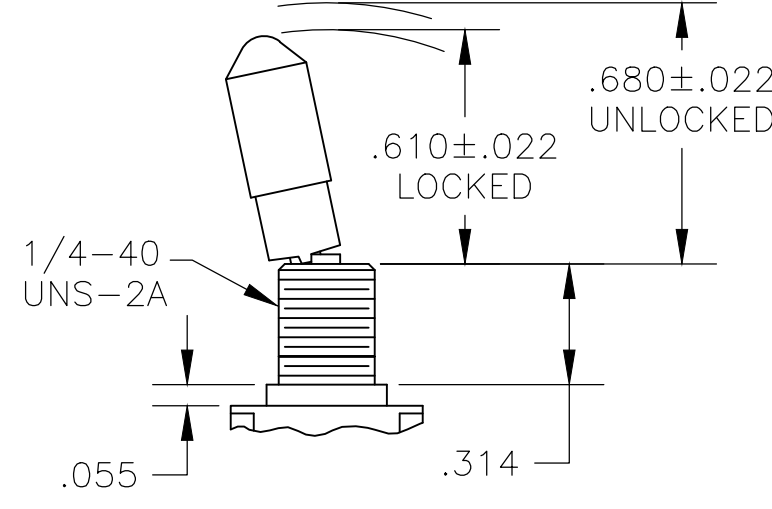
M SHORT



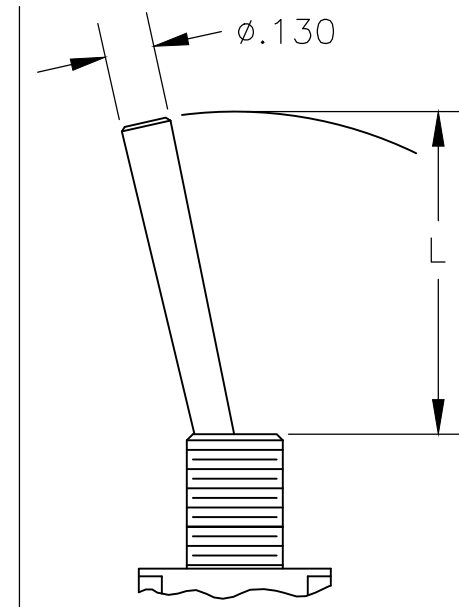
S STANDARD



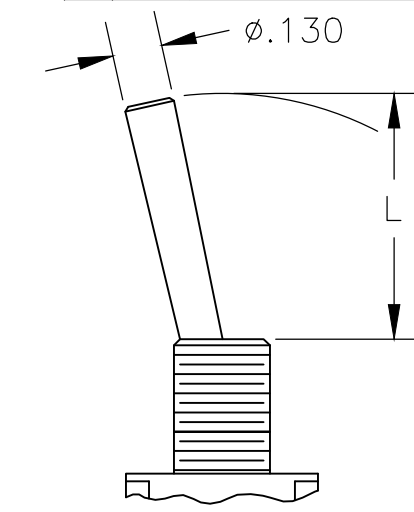
K NO BUSHING OPTION NEEDED



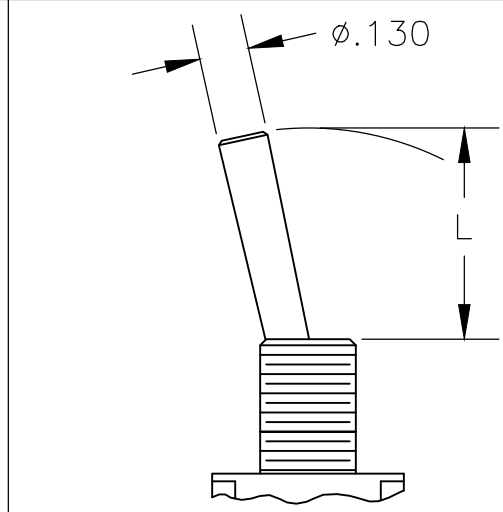
K1 NO BUSHING OPTION NEEDED



L LEVER



L1 LEVER

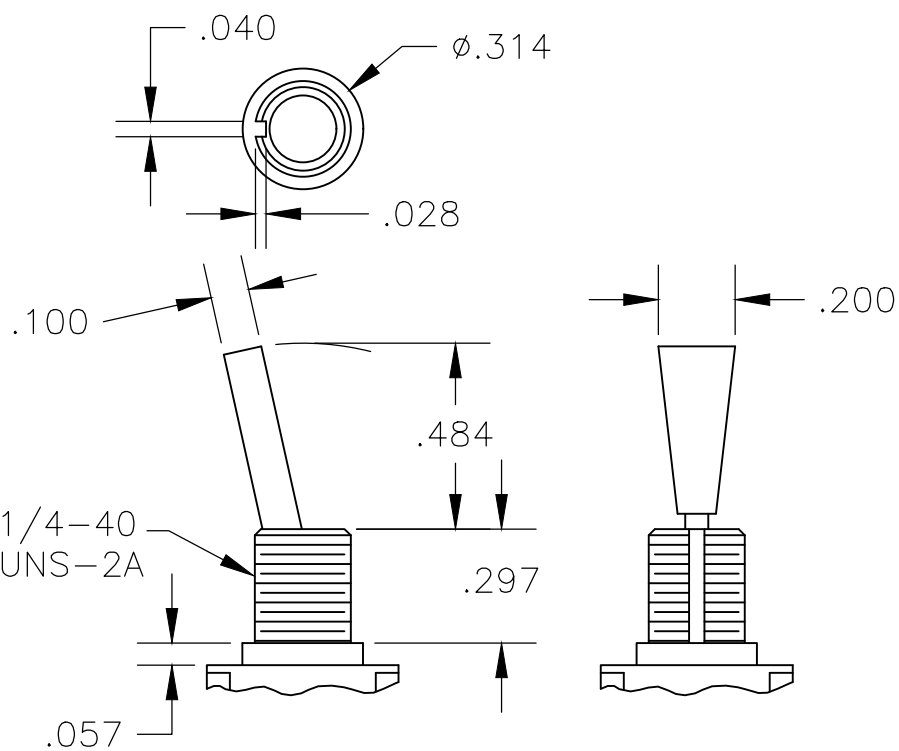


L2 LEVER

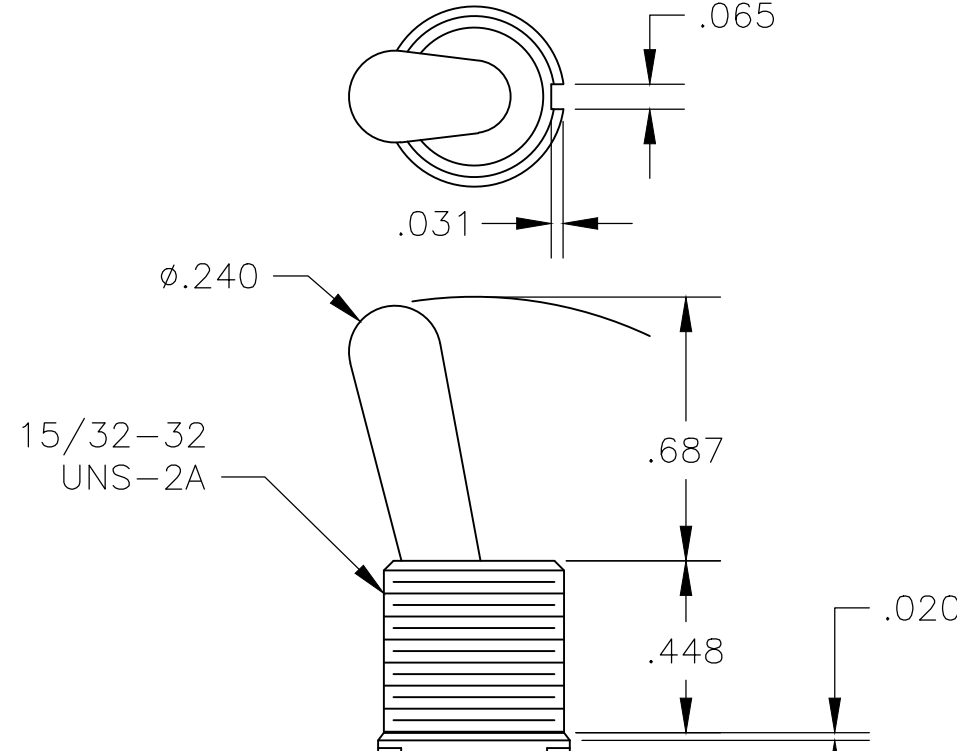
| REVISIONS | | | | | |
|-----------|-----|-------------|------|-----|------|
| P | LTR | DESCRIPTION | DATE | DWN | APVD |
| - | - | SEE SHEET 1 | - | - | - |

| DIM L | BUSHING TYPE | DIM L | BUSHING TYPE |
|-------|--------------|-------|--------------|
| .200 | Y, H | .410 | Y, H |
| .270 | D, D9 | .480 | D, D9 |

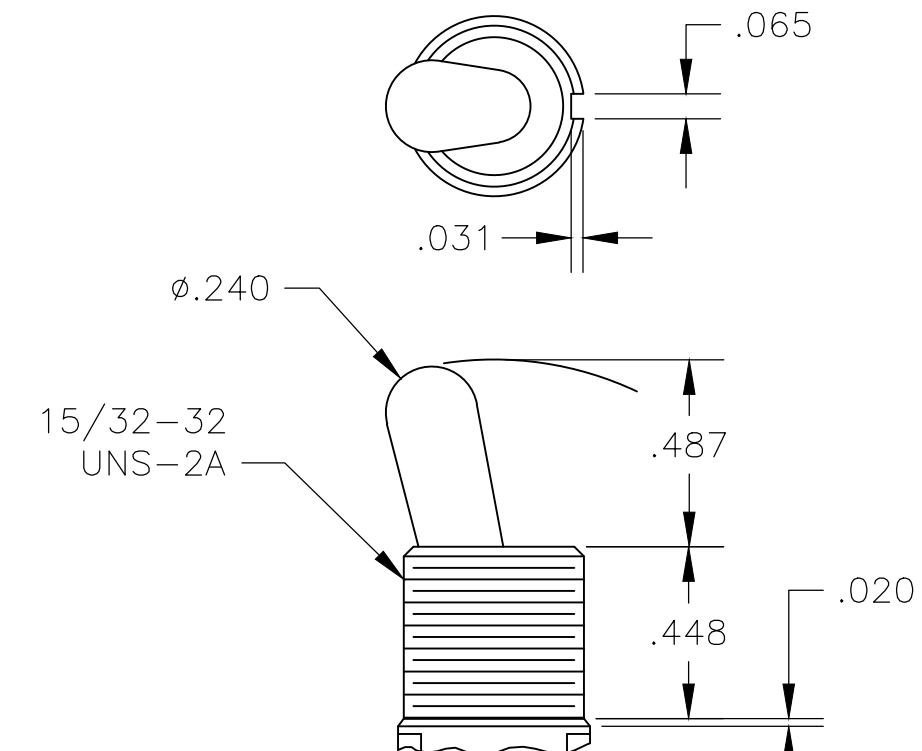
| DIM L | BUSHING TYPE | DIM L | BUSHING TYPE | DIM L | BUSHING TYPE |
|-------|--------------|-------|--------------|-------|--------------|
| .840 | Y, H | .640 | Y, H | .550 | Y, H |
| .910 | D, D9 | .710 | D, D9 | .620 | D, D9 |



P3 NO BUSHING OPTION NEEDED

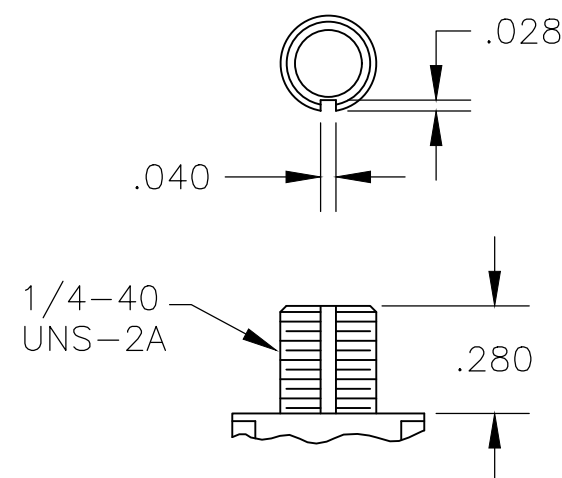


T NO BUSHING OPTION NEEDED



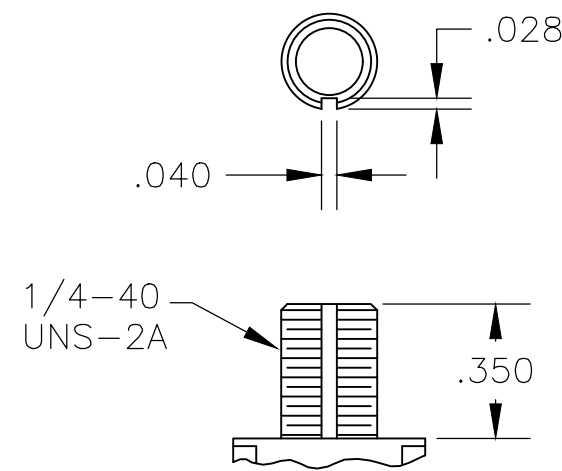
T1 NO BUSHING OPTION NEEDED

BUSHINGS



D THREADED

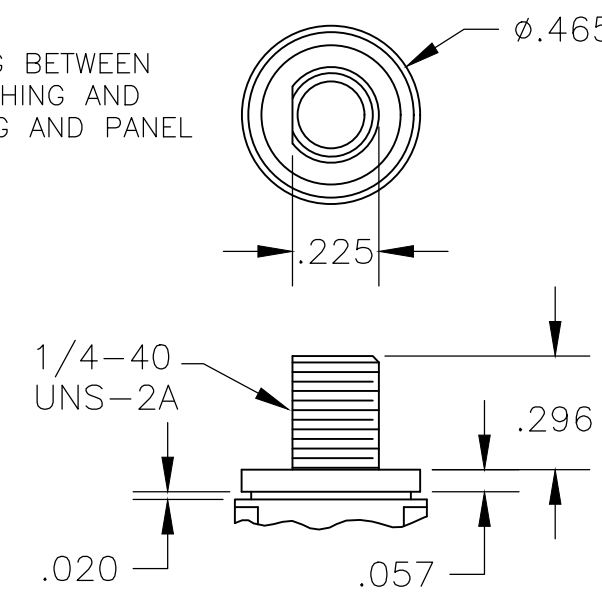
D9 UNTHREADED



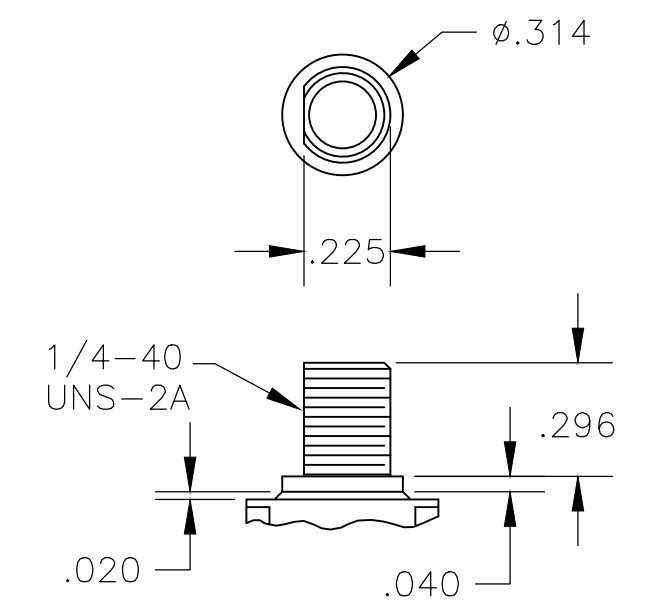
Y THREADED

Y9 UNTHREADED

CONTAINS O-RING BETWEEN TOGGLE AND BUSHING AND BETWEEN BUSHING AND PANEL



CW THREADED SPLASHPROOF



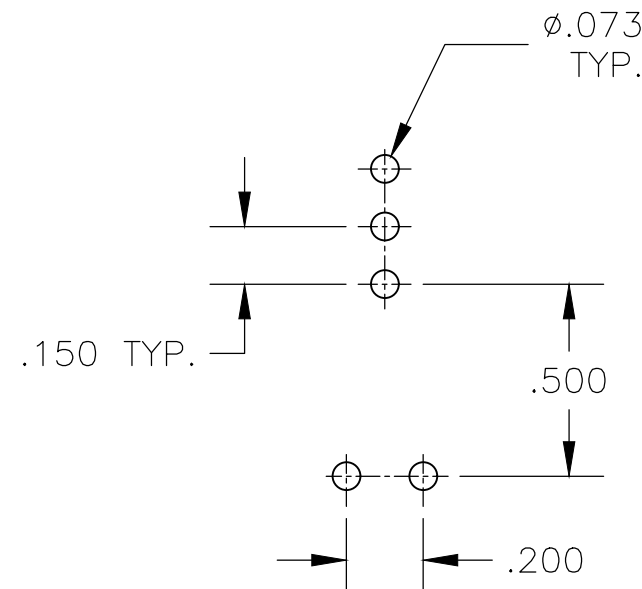
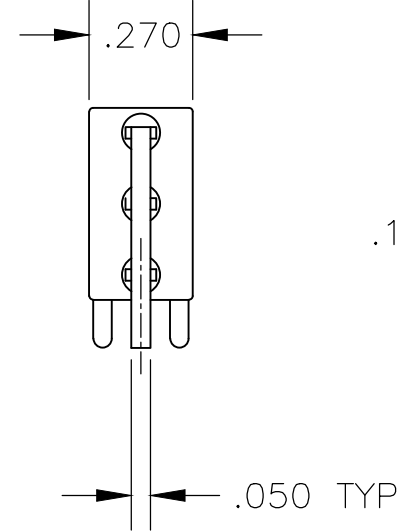
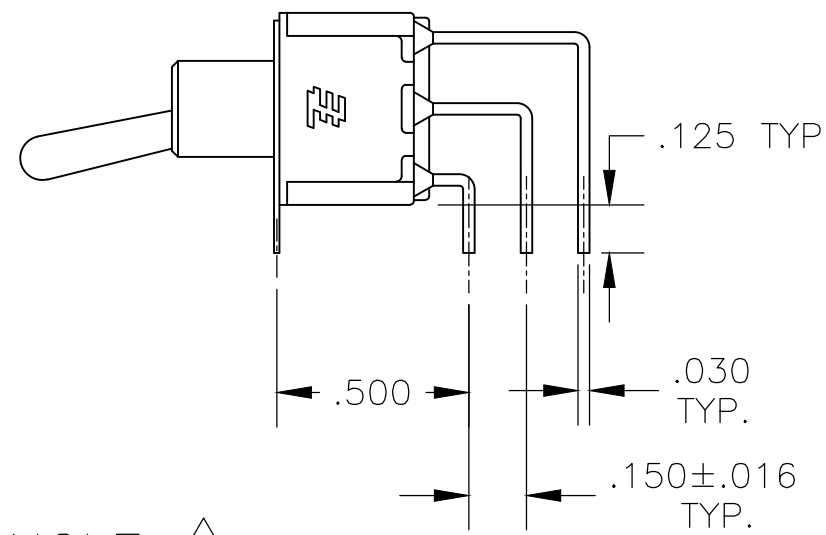
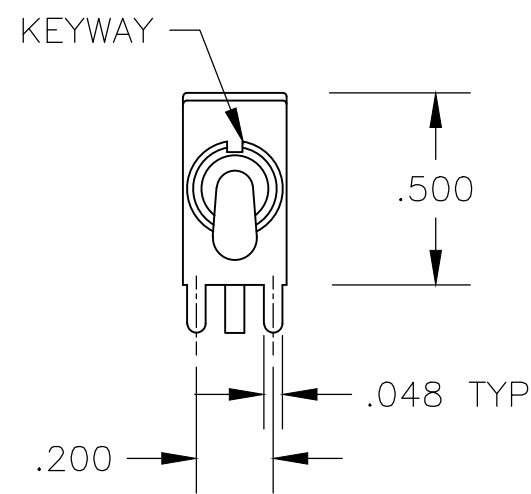
H HIGH TORQUE

THIS DRAWING IS A CONTROLLED DOCUMENT.

| | | | | | |
|--------------------|----------------------------------------|---------------------|------------|---------------------------------------------------------------------------|---------|
| DIMENSIONS: INCHES | TOLERANCES UNLESS OTHERWISE SPECIFIED: | DWN: B.S.VISWESWARA | 14APR05 | TE Connectivity | |
| | 0 PLC ± - | CHK: M.ZITTO | - | | |
| | 1 PLC ± - | APVD: P.BROUILLETTE | - | | |
| | 2 PLC ± - | PRODUCT SPEC | - | | |
| | 3 PLC ± .010 | APPLICATION SPEC | - | | |
| MATERIAL | FINISH | WEIGHT | - | SIZE: A2 CAGE CODE: 00779 DRAWING NO: C=1825136 RESTRICTED TO: - | |
| CUSTOMER DRAWING | | | SCALE: 2:1 | SHEET: 2 of 4 | REV: A8 |

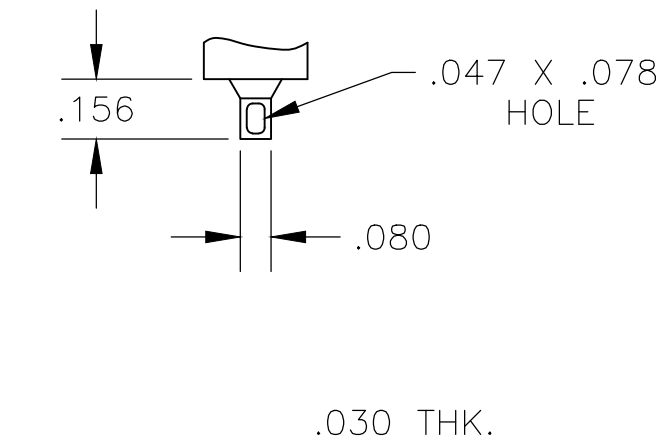
THIS DRAWING IS UNPUBLISHED. RELEASED FOR PUBLICATION
 © COPYRIGHT - By - ALL RIGHTS RESERVED.

| REVISIONS | | | | | |
|-----------|-----|-------------|------|-----|------|
| P | LTR | DESCRIPTION | DATE | DWN | APVD |
| - | - | SEE SHEET 1 | - | - | - |

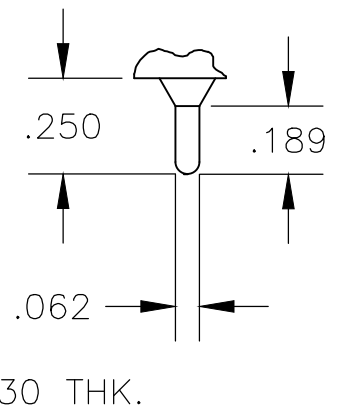


RECOMMENDED PCB LAYOUT

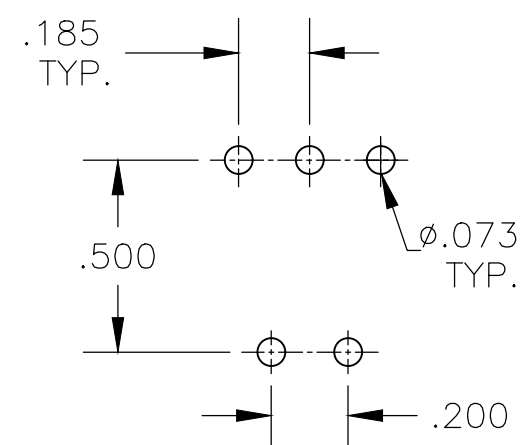
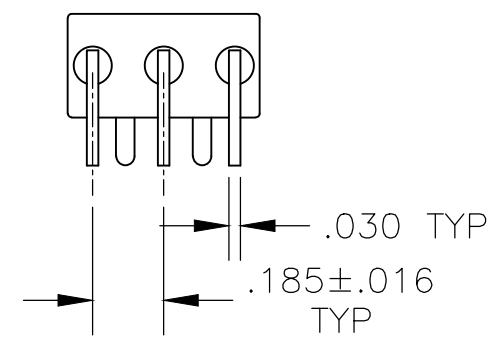
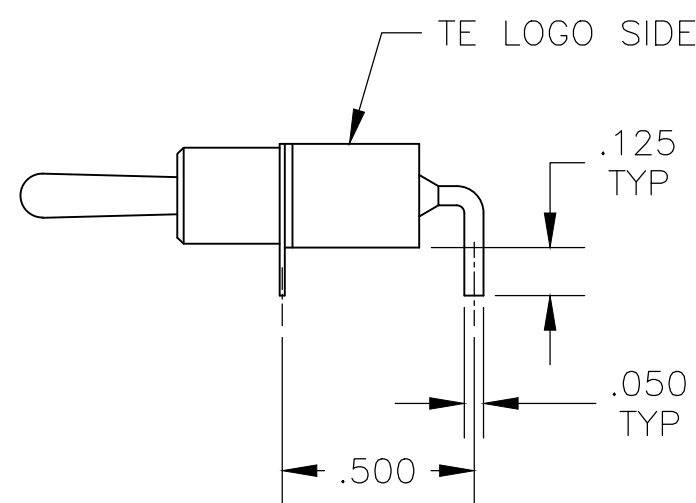
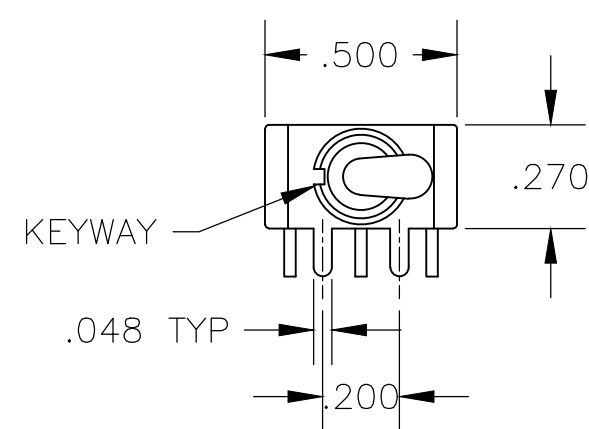
AV2 VERTICAL RIGHT ANGLE $\triangle 5$



Z WIRE LUG

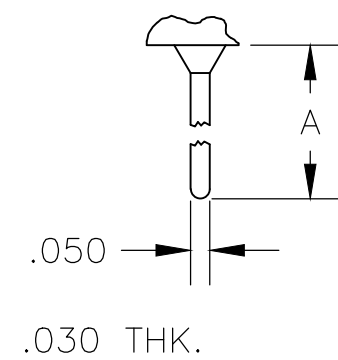


Z3 QUICK CONNECT



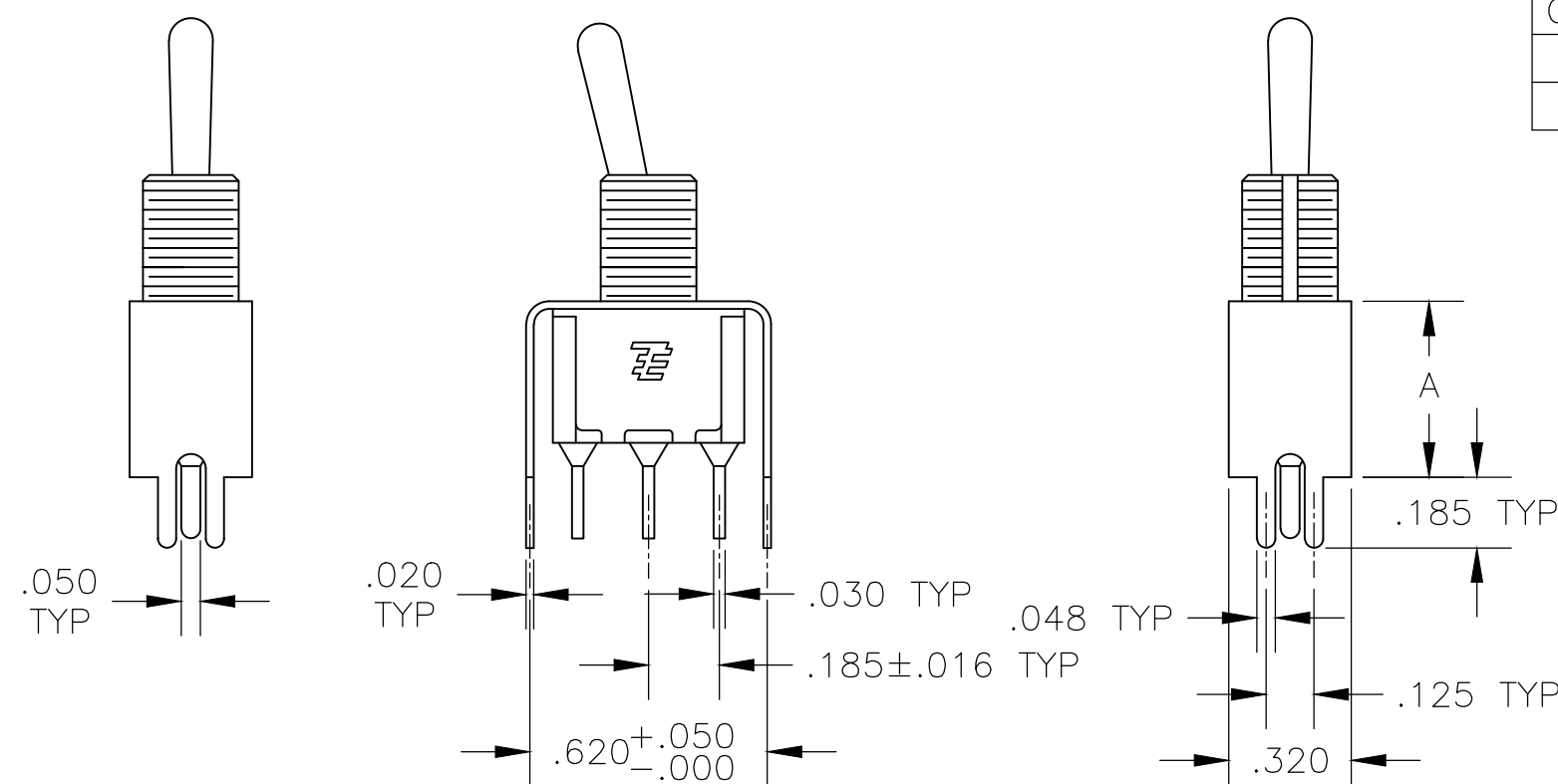
RECOMMENDED PCB LAYOUT

A RIGHT ANGLE $\triangle 5$

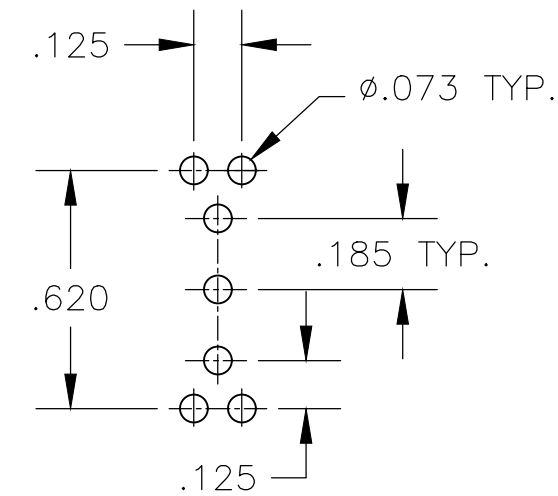


W W4 WIRE WRAP

| OPTION | DIM A |
|--------|-------|
| W | .736 |
| W4 | 1.062 |

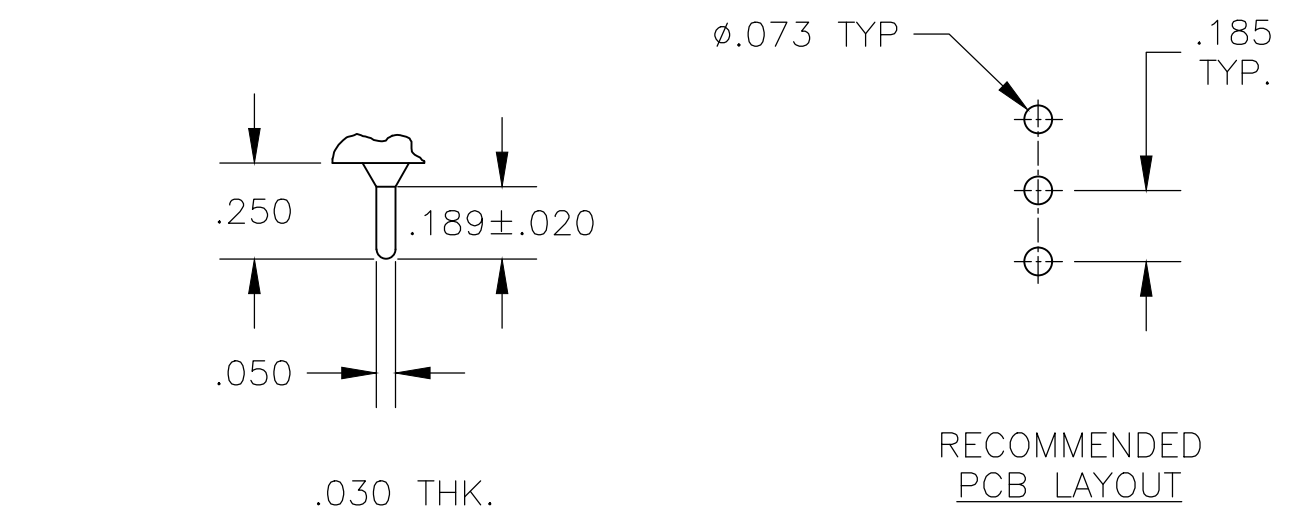


| OPTION | DIM A |
|--------|-------|
| V30 | .460 |
| V40 | .630 |



RECOMMENDED PCB LAYOUT

V30 V40 $\triangle 5$
 VERTICAL SUPPORT BRACKET



C PRINTED CIRCUIT

RECOMMENDED PCB LAYOUT

THIS DRAWING IS A CONTROLLED DOCUMENT.

| | | | |
|-----------------------|---------------------------------------------------------------------------------------------------------------------------|-----------------------------------------------------------------------------------------------------|-------------------------------------------------------------------------------------------------------|
| DIMENSIONS: INCHES | TOLERANCES UNLESS OTHERWISE SPECIFIED: 0 PLC ± - 1 PLC ± - 2 PLC ± - 3 PLC ± .010 4 PLC ± - ANGLES ± 2° | DWN B.S.VISWESWARA 14APR05 CHK M.ZITTO APVD P.BROUILLETTE PRODUCT SPEC APPLICATION SPEC | NAME TE Connectivity GEMINI A SERIES TOGGLE SWITCH, SINGLE POLE, 2 POSITION FUNCTIONS (01 & 08) |
| MATERIAL | FINISH | WEIGHT | SIZE CAGE CODE DRAWING NO RESTRICTED TO A2 00779 C=1825136 |
| CUSTOMER DRAWING | | SCALE 2:1 | SHEET 3 OF 4 REV A8 |

4

3

2

1

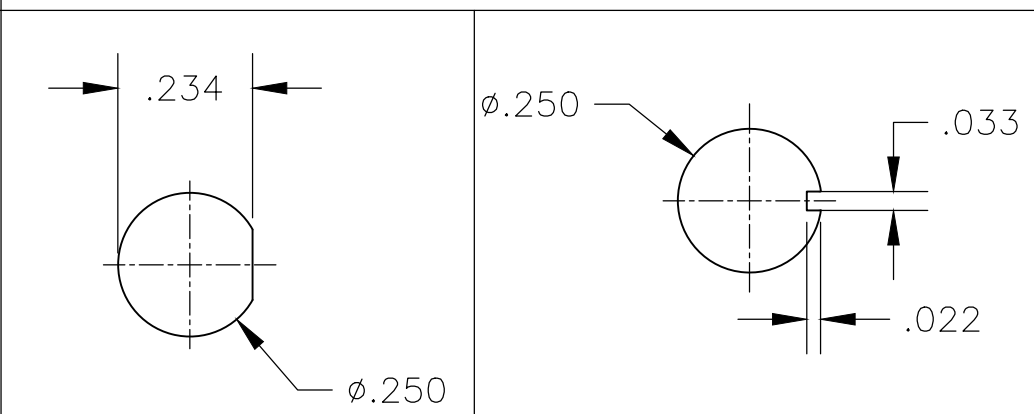
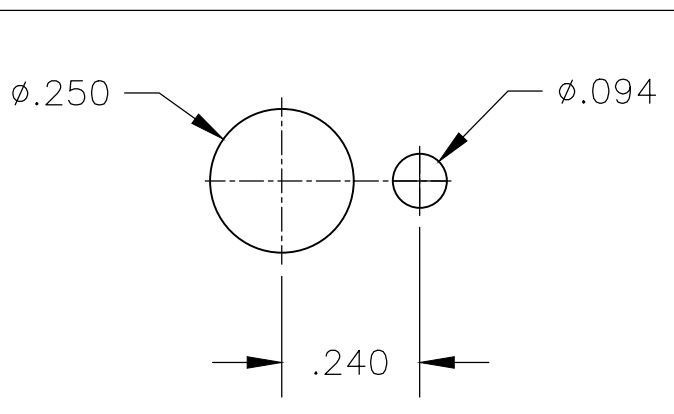
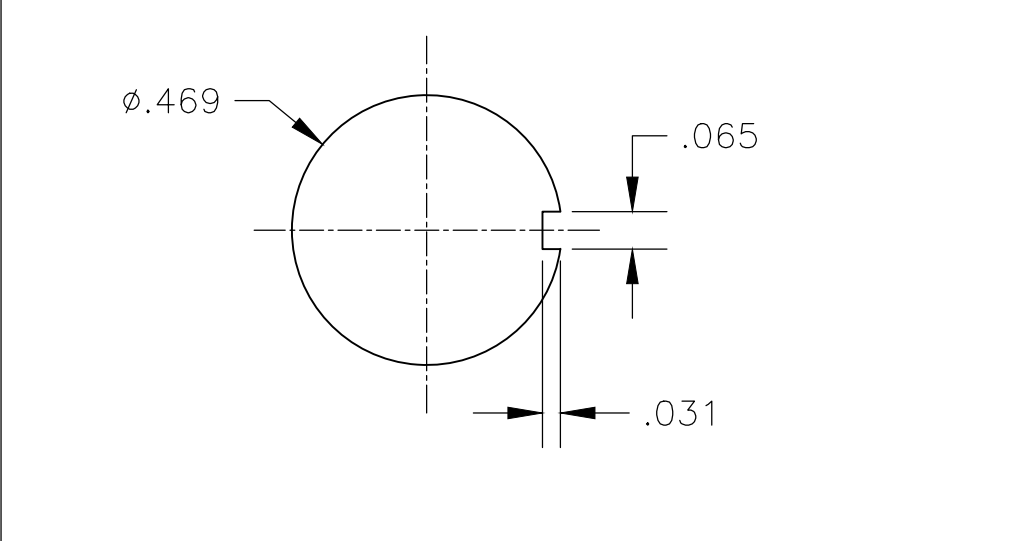
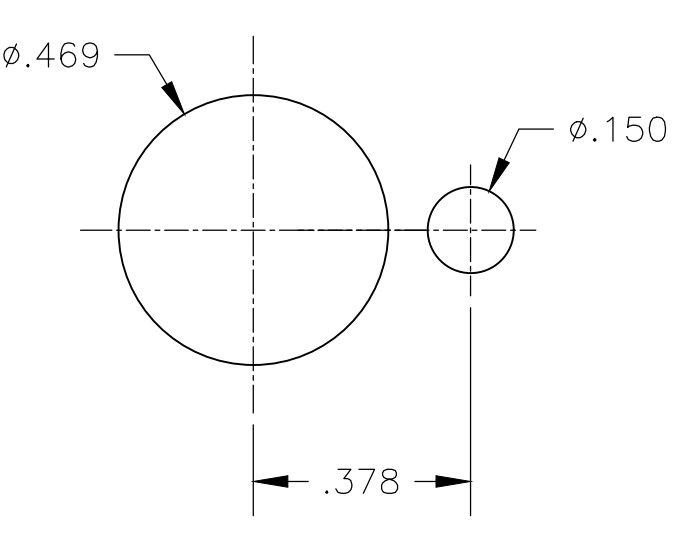
THIS DRAWING IS UNPUBLISHED. RELEASED FOR PUBLICATION
 © COPYRIGHT - By - ALL RIGHTS RESERVED.

| REVISIONS | | | | |
|-----------|-----|-------------|------|------|
| P | LTR | DESCRIPTION | DATE | APVD |
| - | - | SEE SHEET 1 | - | - |

| | Alco P/N | P/N |
|----------|----------------|-------------|
| | A101K1V30B04 | 1825136-1 |
| | A101KAB04 | 1825136-2 |
| | A101KAQ04 | 1825136-3 |
| | A101P3YV30B04 | 1825136-4 |
| OBSOLETE | A101KCCQ04 | 1825136-5 |
| | A101KD9AQ04 | 1825136-6 |
| | A101KZQ04 | 1825136-7 |
| | A101SYAV2B04 | 1825136-8 |
| | A101L1D9V30Q04 | 1825136-9 |
| OBSOLETE | A101L1YZB04 | 1-1825136-0 |
| OBSOLETE | A101LDZQ04 | 1-1825136-1 |
| | A101MD9AB04 | 1-1825136-2 |
| | A101MD9AG04 | 1-1825136-3 |
| | A101MD9AQ04 | 1-1825136-4 |
| | A101MD9AV2B04 | 1-1825136-5 |
| OBSOLETE | A101MD9AV2G04 | 1-1825136-6 |
| | A101MD9AV2Q04 | 1-1825136-7 |
| OBSOLETE | A101MD9V30B04 | 1-1825136-8 |
| | A101MDAQ04 | 1-1825136-9 |
| | A101MDAV2B04 | 2-1825136-0 |
| | A101MDCG04 | 2-1825136-1 |
| | A101MDZQ04 | 2-1825136-2 |
| OBSOLETE | A101MYCQ04 | 2-1825136-3 |
| | A101MYZQ04 | 2-1825136-4 |
| | A103SYAV2B04 | 2-1825136-5 |
| | A101P3CB04 | 2-1825136-6 |
| | A101P3ZQ04 | 2-1825136-7 |
| | A101KAV2Q04 | 2-1825136-8 |
| OBSOLETE | A101MDCQ04 | 2-1825136-9 |
| | A101SCWCQ004 | 3-1825136-0 |
| | A101SCWZQ04 | 3-1825136-1 |
| | A101SD9AB04 | 3-1825136-2 |
| | A101SD9AQ04 | 3-1825136-3 |
| OBSOLETE | A101SD9AV2B04 | 3-1825136-4 |
| | A101SD9AV2Q04 | 3-1825136-5 |
| | A101SD9V30B04 | 3-1825136-6 |
| | A101SD9V30Q04 | 3-1825136-7 |
| | A101SDCQ04 | 3-1825136-8 |
| | A101SDZQ04 | 3-1825136-9 |
| | A101SHZQ04 | 4-1825136-0 |
| | A101SY9CQ04 | 4-1825136-1 |
| | A101SYAB04 | 4-1825136-2 |
| | A101SYAQ04 | 4-1825136-3 |
| | A101SYCB04 | 4-1825136-4 |
| | A101SYCQ04 | 4-1825136-5 |
| OBSOLETE | not assigned | 4-1825136-6 |
| | A101SYWQ04 | 4-1825136-7 |
| | A101SYZB04 | 4-1825136-8 |

| | Alco P/N | P/N |
|----------|--------------|-------------|
| | A101SYZQ04 | 4-1825136-9 |
| OBSOLETE | not assigned | 5-1825136-0 |
| OBSOLETE | not assigned | 5-1825136-1 |
| | A101T1ZB04 | 5-1825136-2 |
| | A101T1ZQ04 | 5-1825136-3 |
| | A101TCQ04 | 5-1825136-4 |
| | A101TZQ04 | 5-1825136-5 |
| OBSOLETE | A108MD9AB04 | 5-1825136-6 |
| OBSOLETE | not assigned | 5-1825136-7 |
| OBSOLETE | A108P3CQ04 | 5-1825136-8 |
| OBSOLETE | A108P3ZQ04 | 5-1825136-9 |
| OBSOLETE | A108SD9AQ04 | 6-1825136-0 |
| | A108SDZQ04 | 6-1825136-1 |
| | A108SYCB04 | 6-1825136-2 |
| | A108SYCQ04 | 6-1825136-3 |
| OBSOLETE | A108SYZQ04 | 6-1825136-4 |
| OBSOLETE | not assigned | 6-1825136-5 |
| | A101SYAG04 | 6-1825136-6 |

RECOMMENDED PANEL CUT-OUTS

| BUSHING SIZE | WITHOUT LOCKING RING | WITH STANDARD LOCKING RING |
|--------------|--------------------------------------------------------------------------------------|--------------------------------------------------------------------------------------|
| 1/4 |  |  |
| 15/32 |  |  |

MATERIALS CHART

| COMPONENT NAME | BASE MATERIAL | FINISH |
|------------------------|---------------------------|------------------|
| CASE | DAP, RED, UL94 V-0 | |
| FRAME | STAINLESS STEEL | |
| B TERMINALS & CONTACTS | COPPER | GOLD OVER NICKEL |
| G TERMINALS & CONTACTS | COPPER | GOLD OVER SILVER |
| Q TERMINALS & CONTACTS | COPPER | .000400 SILVER |
| ACTUATOR | PHENOLIC, BLACK, UL94 V-1 | |
| LEVER | BRASS | CHROME |
| BUSHING | BRASS | NICKEL |
| SPRING | MUSIC WIRE | |
| SUPPORT BRACKET | BRASS | TIN |
| PIVOT PIN | STEEL | NICKEL |
| LOCK WASHER | STAINLESS STEEL | |
| LOCKING RING | STAINLESS STEEL | |
| NUTS | C3604BD BRASS | NICKEL |
| TERMINAL SEAL | EPOXY | |

| | | | | | |
|---------------------------------------------------------------------------------|--|-----------------------|-----------------------|---------------------------------------------------------------------------------------|--------------------|
| THIS DRAWING IS A CONTROLLED DOCUMENT. | | DWN B.S.VISWESWARA | 14APR05 | STE TE Connectivity | |
| DIMENSIONS: INCHES | | CHK M.ZITTO | APVD P.BROUILLETTE | | |
| TOLERANCES UNLESS OTHERWISE SPECIFIED: | | PRODUCT SPEC | | NAME GEMINI A SERIES TOGGLE SWITCH, SINGLE POLE, 2 POSITION FUNCTIONS (01 & 08) | |
| 0 PLC ± - 1 PLC ± - 2 PLC ± - 3 PLC ± .010 4 PLC ± - ANGLES ± 2° | | APPLICATION SPEC | | SIZE A2 | CAGE CODE 00779 |
| MATERIAL | | WEIGHT 0 | | DRAWING NO. 1825136 | RESTRICTED TO |
| FINISH | | CUSTOMER DRAWING | | SCALE 3:1 | SHEET 4 of 4 |
| | | | | REV A8 | |

1471-9 (1/15)

1825136

B

A

X-ON Electronics

Largest Supplier of Electrical and Electronic Components

Click to view similar products for [Toggle Switches](#) category:

Click to view products by [TE Connectivity](#) manufacturer:

Other Similar products are found below :

[8928K478](#) [020017-13](#) [60012L](#) [6006L](#) [CS115W](#) [CS120W](#) [6663](#) [7101SPDV30BE](#) [7103SDV30BE](#) [7105D](#) [7108P3YAV2BE](#) [71YY50282](#)
[7300K36](#) [7301K38](#) [7306K36](#) [7310K36](#) [7506K4](#) [7592K6](#) [7660K12](#) [7691K14](#) [7700K1](#) [8391K108](#) [8396K108](#) [8811K17](#) [8824K14](#) [8828K13](#)
[8835K3](#) [8858K44](#) [PS83-121G](#) [1-1825192-0](#) [A201SCWZB04](#) [A207SYCB04](#) [A208J61ZQ0004](#) [A221T1TCQ](#) [A323S1CWZQ](#)
[A423S1CWZG-M8](#) [1201W](#) [12156AX408](#) [12147AGKX679](#) [12246X778](#) [12TW49-3D](#) [130312](#) [13037L](#) [13001X](#) [AE101MD1W4B04](#)
[AE208SD1W4B04](#) [MS24659-22D](#) [MS27407-5](#) [1520230-9](#) [1520231-1](#)