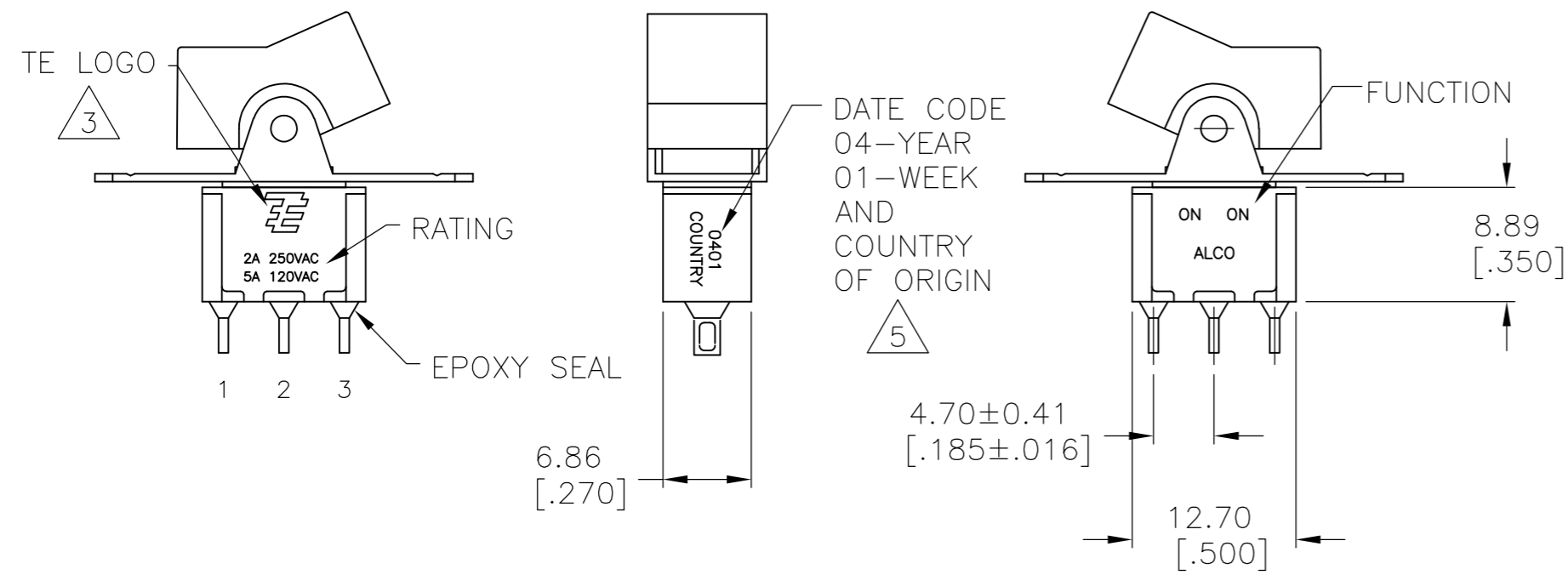


THIS DRAWING IS UNPUBLISHED. RELEASED FOR PUBLICATION
 © COPYRIGHT BY TYCO ELECTRONICS CORPORATION. ALL RIGHTS RESERVED.

LOC		DIST		REVISIONS					
AD		00		P	LTR	DESCRIPTION	DATE	DWN	APVD
				A5		REVISED PER ECO-10-009310	07MAY10	HMR	MW



- 1 ALL MATERIALS AND FINISHES SHALL COMPLY WITH EU DIRECTIVE 2002/95/EC OF 27JAN2003 (ROHS).
 - 2 G CONTACT OPTION CAN BE USED FOR SIGNAL OR POWER LEVEL SWITCHING. IF SWITCH IS USED AT LEVELS EXCEEDING .4VA @ 20V AC/DC, SWITCH IS RENDERED FOR POWER SWITCHING ONLY DUE TO ARC REMOVAL OF GOLD PLATING. RATING STAMPED ON SWITCH IS 2A 250VAC, 5A 120VAC.
- △ 3 TE LOGO PER PER TEC-202-36.
- △ 5 DATE CODE AND COUNTRY OF ORIGIN MAY APPEAR ON EITHER SIDE OF SWITCH.
- 6 PANEL MOUNT BRACKET SUPPLIED WITH TERMINALS W, Z AND Z3 ONLY.
- △ 7 ACTUATOR MARKED

FUNCTION CHART			
FUNCTION			
	1 2 3	1 2 3	1 2 3
01	ON	NONE	ON
03	ON	OFF	ON
05	(ON)	OFF	(ON)
07	ON	OFF	(ON)
08	ON	NONE	(ON)
TERMINALS CONNECTED	2-3	---	1-2

NONE: NO MECHANICAL POSITION
 OFF: MECHANICAL POSITION WITH NO ELECTRICAL CONNECTION
 (ON): MOMENTARY ACTION

SPECIFICATIONS	
RATING, B CONTACTS	.4VA MAX @20V MAX. AC OR DC
RATING, G CONTACTS—SEE NOTE 2	.4VA MAX @20V MAX. AC OR DC OR
	5A @120 VAC OR 28 VDC (RESISTIVE)
RATING, Q CONTACTS	2A @250 VAC (RESISTIVE)
	5A @120 VAC OR 28 VDC (RESISTIVE)
ELECTRICAL LIFE	6,000 CYCLES AT RATED LOAD
CONTACT RESISTANCE	10 MILLIOHMS MAX INITIAL @ 2-4VDC, 100MA
INSULATION RESISTANCE	1,000 MEGOHMS MIN
DIELECTRIC WITHSTANDING VOLTAGE	1,000 V RMS AT SEA LEVEL
OPERATING TEMPRATURE	-30C TO 85C

PART NUMBER SEQUENCE CHART							
MODEL	FUNCTION	ACTUATOR	TERMINAL	CONTACT	ACTUATOR COLOR	BEZEL COLOR	ROHS
A1							04
	01	J1	A	B	0 BLACK (STD)	0 BLACK (STD)	
	03	J3	AV2	G	1 BROWN	1 BROWN	
	05	J50	C	Q	2 RED	2 RED	
	07	J51	V3		3 ORANGE	3 ORANGE	
	08	J52	V4		4 YELLOW	4 YELLOW	
		J2	V6		5 GREEN	5 GREEN	
		J4	V7		6 BLUE	6 BLUE	
		J60	W		8 GRAY	8 GRAY	
		J61	W4		9 WHITE	9 WHITE	
			Z3				

THIS DRAWING IS A CONTROLLED DOCUMENT.

DWN	M.BINNER	06JAN05
CHK	M.ZITTO	06JAN05
APVD	M.ZITTO	06JAN05
PRODUCT SPEC		
APPLICATION SPEC		

Tyco Electronics Corporation
 Harrisburg, PA 17105-3608

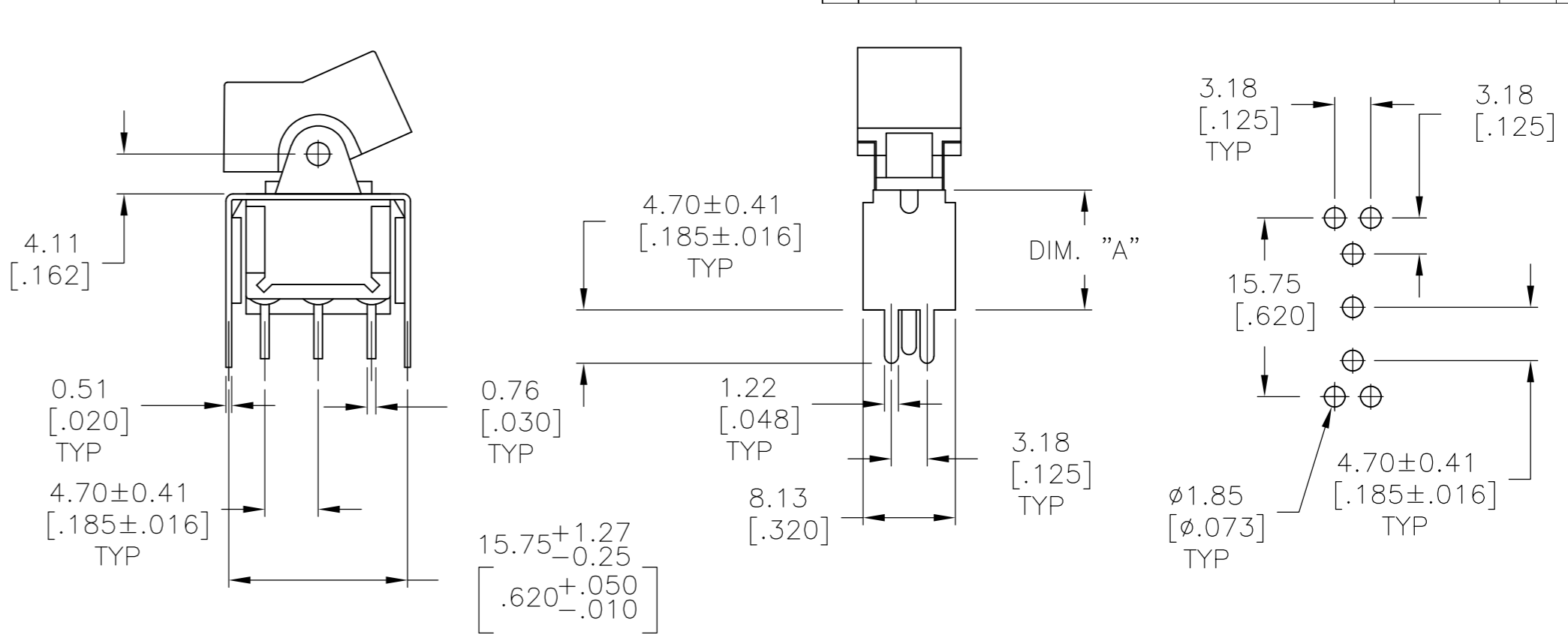
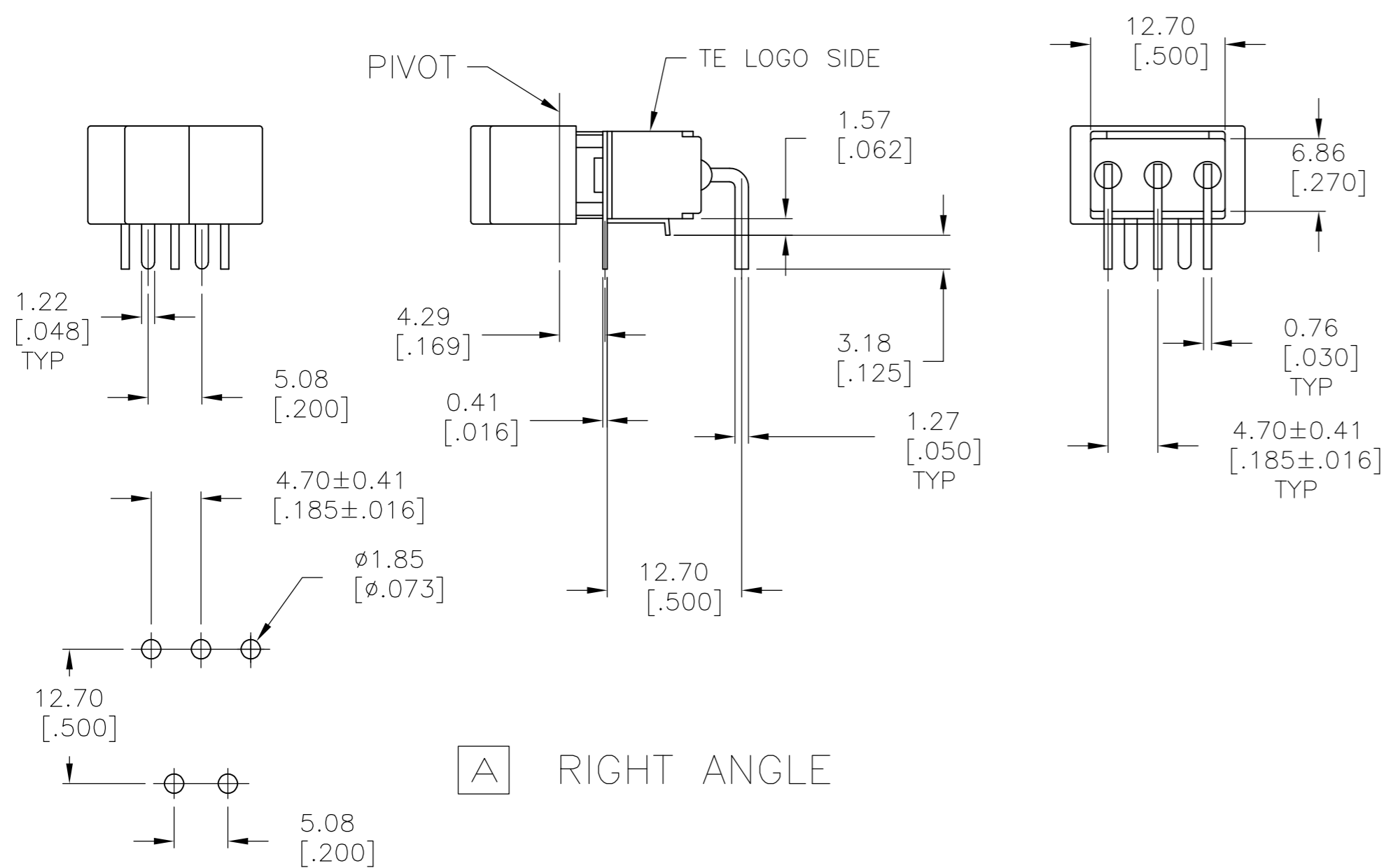
GEMINI A SERIES ROCKER SWITCH
 SINGLE POLE

SIZE	A2	CAGE CODE	00779	DRAWING NO	C=1571986	RESTRICTED TO	
SCALE	2:1	SHEET	1 of 5	REV	A5		

CUSTOMER DRAWING

THIS DRAWING IS UNPUBLISHED. RELEASED FOR PUBLICATION
 © COPYRIGHT BY TYCO ELECTRONICS CORPORATION. ALL RIGHTS RESERVED.

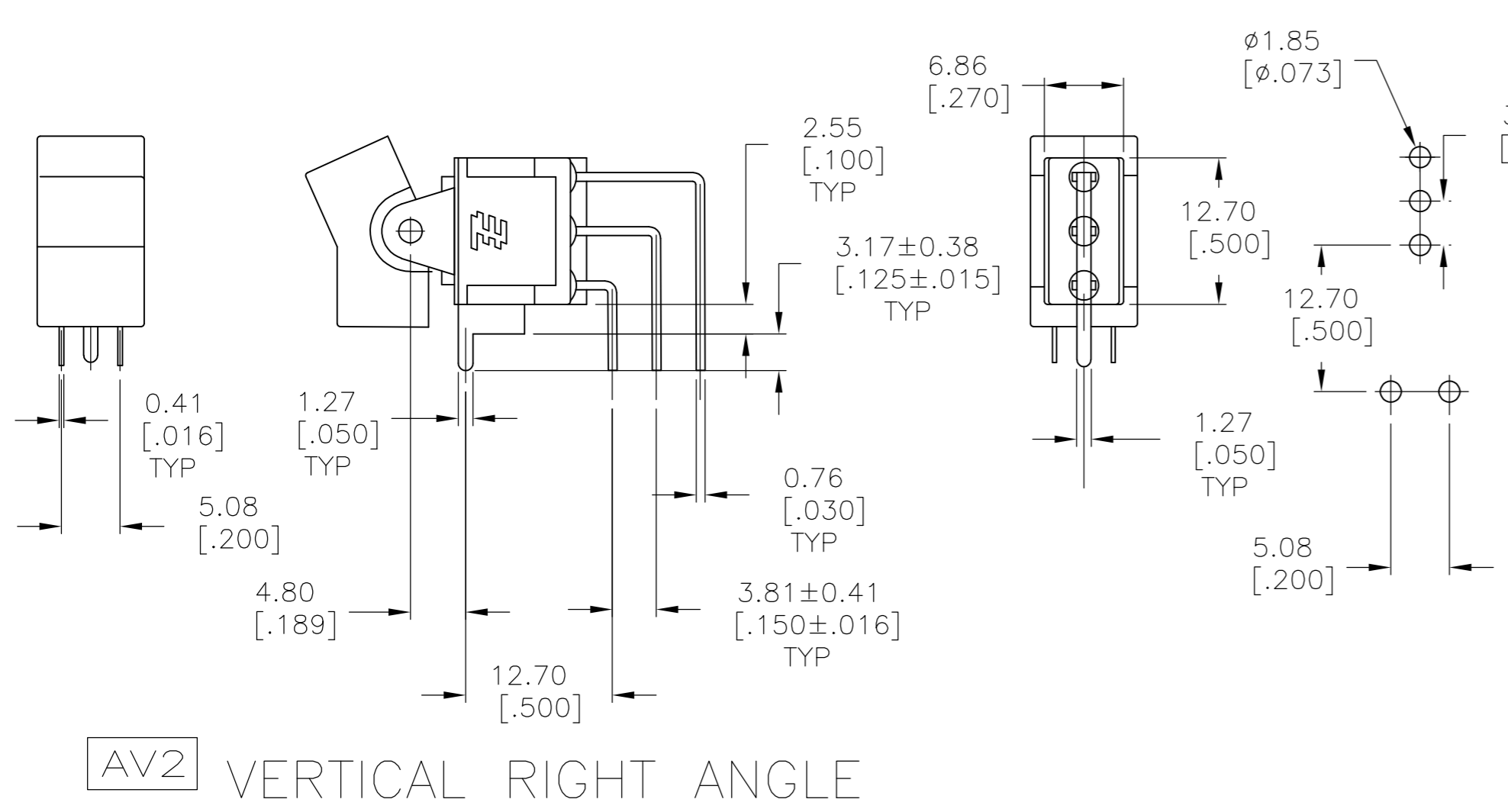
LOC	DIST	REVISIONS			
P	LTR	DESCRIPTION	DATE	DWN	APVD
AD	00	SEE SHEET 1	-	-	-



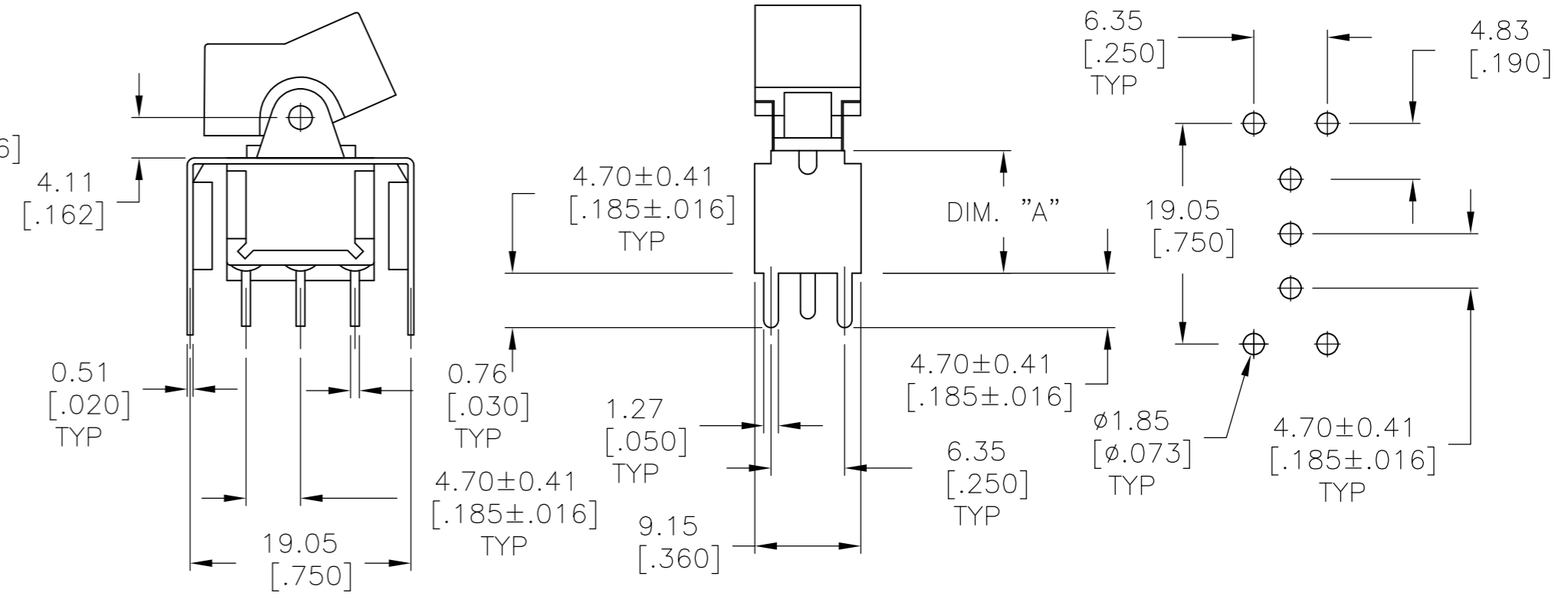
V3 V4

VERTICAL SUPPORT BRACKET

OPTION CODE	DIM "A"
V3	11.68 [.460]
V4	16.00 [.630]



AV2 VERTICAL RIGHT ANGLE



V6 V7

VERTICAL SUPPORT BRACKET

OPTION CODE	DIM "A"
V6	11.68 [.460]
V7	16.00 [.630]

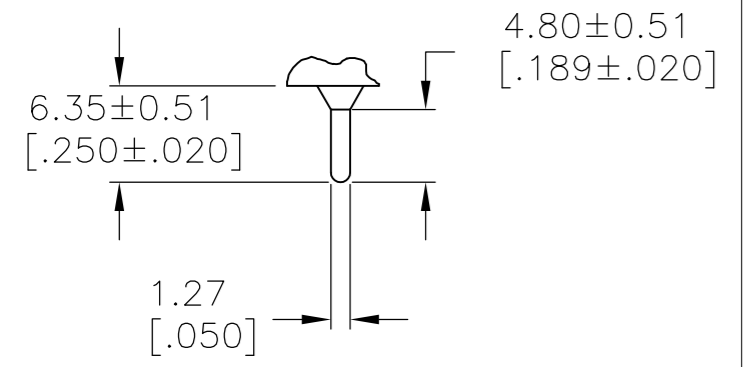
THIS DRAWING IS A CONTROLLED DOCUMENT.		DWN M.BINNER 06JAN05	Tyco Electronics Corporation Harrisburg, PA 17105-3608
DIMENSIONS: mm [INCHES]		CHK M.ZITTO 06JAN05	
TOLERANCES UNLESS OTHERWISE SPECIFIED:		APVD M.ZITTO 06JAN05	NAME GEMINI A SERIES ROCKER SWITCH SINGLE POLE
0 PLC ± -		PRODUCT SPEC	SIZE A2
1 PLC ± -		APPLICATION SPEC	CAGE CODE 00779
2 PLC ± -		WEIGHT	DRAWING NO 1571986
3 PLC ± .010		RESTRICTED TO	SCALE 2:1
4 PLC ± -		CUSTOMER DRAWING	SHEET 4 OF 5
ANGLES ± 4°			REV A5
FINISH			

THIS DRAWING IS UNPUBLISHED. RELEASED FOR PUBLICATION
 © COPYRIGHT BY TYCO ELECTRONICS CORPORATION. ALL RIGHTS RESERVED.

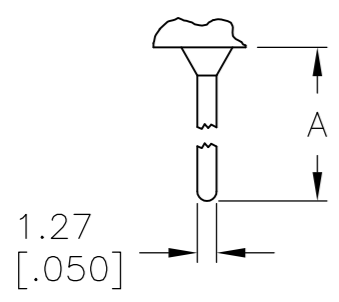
LOC	DIST	REVISIONS					
AD	00	P	LTR	DESCRIPTION	DATE	DWN	APVD
		-	-	SEE SHEET 1	-	-	-

MATERIALS CHART

COMPONENT NAME	BASE MATERIAL	FINISH
CASE	DAP, 30-40% GF, RED, UL94 V-0, COSMIC D72/6120F	
FRAME	304 STAINLESS STEEL	
B TERMINALS & CONTACTS	C194 COPPER	.000015 GOLD OVER .000100-.000150 NICKEL
G TERMINALS & CONTACTS	C194 COPPER	.000010 GOLD OVER .000400 SILVER
Q TERMINALS & CONTACTS	C194 COPPER	.000400 SILVER
ACTUATOR	PHENOLIC, BLACK, UL94 V-1	
ROCKER CAP	NYLON, BLACK, UL94 V-1, NYTEX MG-2012N	
BUSHING & ACTUATOR LEVER	ZINC ALLOY K2	.000100-.000150 NICKEL
SPRING	MUSIC WIRE	
SUPPORT BRACKET	C2680H BRASS	.000100-.000150 TIN
PIVOT PIN	STEEL	.000100-.000150 NICKEL
TERMINAL SEAL	EPOXY, UL94 V-1, BOOM HOUSE S-9001A	

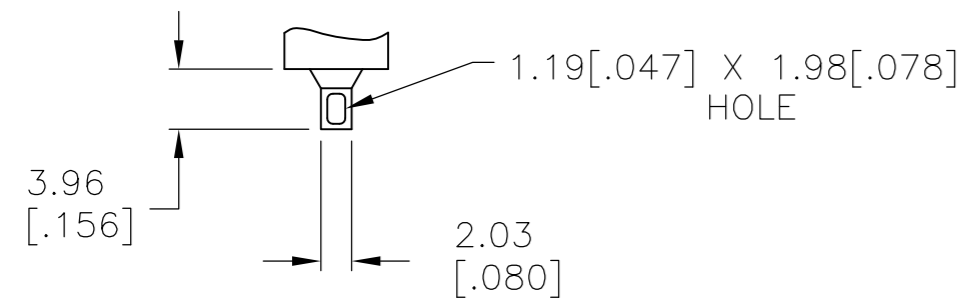


.030 THK.
[C] PRINTED CIRCUIT

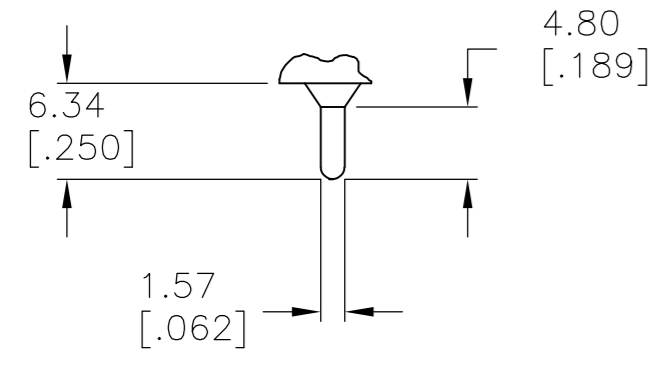


OPTION	DIM A
W	18.69 [.736]
W4	26.97 [1.062]

[W] W4 WIRE WRAP



[Z] WIRE LUG



.030 THK.
[Z3] QUICK CONNECT

7	A101J1AV2Q004AM	7-1571986-2
	A108J61ZQ0004	7-1571986-0
	A108J51ZQ0004	6-1571986-9
	A108J1ZQ004	6-1571986-8
	A108J1V3Q004	6-1571986-7
	A107J61ZQ0004	6-1571986-6
	A107J51ZQ0004	6-1571986-5
	A105J61ZQ0004	6-1571986-4
	A105J61ZG0004	6-1571986-3
	A105J52ZQ2004	6-1571986-2
	A105J51ZQ0004	6-1571986-1
	A105J4ZQ004	6-1571986-0
	A105J3ZQ004	5-1571986-9
	A105J3CQ2004	5-1571986-8
	A105J3CQ004	5-1571986-7
	A105J2ZQ004	5-1571986-6
	A105J2AV2Q004	5-1571986-5
	A105J2AQ004	5-1571986-4
	A105J1ZQ004	5-1571986-3
	A105J1V3B004	5-1571986-2
	A105J1CQ004	5-1571986-1
	ALCO P/N	TE P/N

7	PRELIMINARY	A101J1AB004	1571986-1
		ALCO P/N	TE P/N

A105J1AV2Q004	5-1571986-0
A105J1AQ004	4-1571986-9
NOT ASSIGNED	4-1571986-8
NOT ASSIGNED	4-1571986-7
A103J61ZQ0004	4-1571986-6
A103J51ZQ0004	4-1571986-5
A103J3ZQ004	4-1571986-4
A103J2ZQ004	4-1571986-3
A103J2CB004	4-1571986-2
A103J1ZQ004	4-1571986-1
A103J1V3Q004	4-1571986-0
A103J1AV2Q004	3-1571986-9
A103J1AV2B004	3-1571986-8
NOT ASSIGNED	3-1571986-7
A101J61ZQ0004	3-1571986-6
A101J51ZQ2004	3-1571986-5
A101J51ZQ0004	3-1571986-4
A101J51ZB0004	3-1571986-3
NOT ASSIGNED	3-1571986-2
A101J51Z3Q0004	3-1571986-1
A101J51Z3G0004	3-1571986-0
A101J51CB0004	2-1571986-9
A101J50ZQ004	2-1571986-8
A101J50V3Q204	2-1571986-7
A101J50V3Q004	2-1571986-6
A101J50AV2Q004	2-1571986-5
A101J4ZQ804	2-1571986-4
A101J4ZQ004	2-1571986-3
A101J3ZQ004	2-1571986-2
A101J3V3Q204	2-1571986-1
A101J2ZQ004	2-1571986-0
A101J2ZB904	1-1571986-9
A101J2AV2Q004	1-1571986-8
A101J1ZQ004	1-1571986-7
A101J1ZB004	1-1571986-6
A101J1V3Q004	1-1571986-5
A101J1V3B004	1-1571986-4
A101J1CQ004	1-1571986-3
A101J1CG004	1-1571986-2
A101J1AV2Q004	1-1571986-1
A101J1AV2B004	1-1571986-0
A101J1AQ204	1571986-9
A101J1AQ004	1571986-8
A101J1AB004	1571986-7
NOT ASSIGNED	1571986-6
NOT ASSIGNED	1571986-5
NOT ASSIGNED	1571986-4
NOT ASSIGNED	1571986-3
NOT ASSIGNED	1571986-2
A101J1AB004	1571986-1

THIS DRAWING IS A CONTROLLED DOCUMENT.		DWN	M.BINNER	06JAN05	Tyco Electronics Corporation Harrisburg, PA 17105-3608
DIMENSIONS: mm [INCHES]		CHK	M.ZITTO	06JAN05	
TOLERANCES UNLESS OTHERWISE SPECIFIED:		APVD	M.ZITTO	06JAN05	
0 PLC ± - 1 PLC ± - 2 PLC ± - 3 PLC ± .010 4 PLC ± - ANGLES ± 4°		PRODUCT SPEC	NAME		
MATERIAL	FINISH	APPLICATION SPEC	GEMINI A SERIES ROCKER SWITCH SINGLE POLE		RESTRICTED TO
-	-	WEIGHT	-	SIZE	A2
CUSTOMER DRAWING			CAGE CODE	00779	DRAWING NO
			1571986		REV
			SCALE	2:1	SHEET
			5 of 5		A5

X-ON Electronics

Largest Supplier of Electrical and Electronic Components

Click to view similar products for [Rocker Switches](#) category:

Click to view products by [TE Connectivity](#) manufacturer:

Other Similar products are found below :

[LTILA6E-1S-WH-RC-FN12VXCR1](#) [6-1571986-9](#) [8007K26N324V52](#) [8055K23Z7V](#) [8055K32Z7V](#) [8055K52Z7V](#) [8138K20E6M50](#) [84206L](#)
[84312LX](#) [PREDD5-07F-BB0GW](#) [999-16716-002](#) [999-16716-003](#) [999-16716-004](#) [A101J1V3Q004](#) [A101J2ZQ004](#) [A101J4ZQ004](#)
[A101J51CB0004](#) [A103J1ZQ004](#) [A201J1AQ004](#) [A201J3ZB004](#) [A201J50ZQ004](#) [A203J51ZQ0004](#) [A435S1YZQ](#) [H8500XBBBBL-A](#)
[H8653VBBG2577W](#) [HB130CHNWWNAAC](#) [R13112ABB-602W](#) [1251.0303](#) [AE205J60V3B004](#) [1352.0107](#) [1500G51E](#) [1571099-3](#)
[1571987-4](#) [1571987-5](#) [1571989-7](#) [1571988-5](#) [B123J77V7B2](#) [B226J50W4Q22P](#) [B433J37ZQ22M](#) [160212E](#) [1634200-7](#) [1801.1164](#) [1839.1502](#)
[PANEL-PLUG-VHP-BLACK](#) [PANEL-PLUG-VHP-WT](#) [K1ABBSCADN](#) [K2ABAAAAAA](#) [KG312A2DXD246X](#) [250011E714](#) [2600HM11E](#)